



US00D622450S

(12) **United States Design Patent**  
**Beyers**

(10) **Patent No.:** **US D622,450 S**

(45) **Date of Patent:** **\*\* Aug. 24, 2010**

(54) **HAY FEEDING CASE**

(76) Inventor: **Edward O. Beyers**, 928 St. Paul Rd.,  
Ballwin, MO (US) 63021

(\*\*) Term: **14 Years**

(21) Appl. No.: **29/313,695**

(22) Filed: **Feb. 3, 2009**

(51) **LOC (9) Cl.** ..... **30-03**

(52) **U.S. Cl.** ..... **D30/121; D30/131**

(58) **Field of Classification Search** ..... D30/121,  
D30/131, 133, 108, 109, 199; 119/60, 65,  
119/51.01, 61.1, 58, 59, 66, 67, 51.5, 68,  
119/69; 220/4.22, 480; 229/120, 120.1;  
D7/409, 601; 211/181.1; 414/24.5; D3/205,  
D3/301, 276, 290, 291, 900, 901; 190/18 A,  
190/100, 109, 107, 127, 900, 115

See application file for complete search history.

(56) **References Cited**

**U.S. PATENT DOCUMENTS**

376,529	A *	1/1888	Kline	119/60
1,123,501	A *	1/1915	Dreibelbis	119/51.01
1,818,908	A *	8/1931	Pouchain et al.	229/120
2,398,797	A *	4/1946	Stein et al.	229/148
3,270,713	A *	9/1966	Rubricius	119/452
3,362,382	A *	1/1968	Frasier	119/58
3,817,371	A *	6/1974	Gatter	206/0.5
3,941,092	A *	3/1976	Winters	119/497
4,010,888	A *	3/1977	Gilbert	119/454

4,020,794	A *	5/1977	Nethery	119/58
5,181,651	A *	1/1993	Oppenheim	229/121
5,189,985	A *	3/1993	Brady et al.	119/60
5,375,559	A *	12/1994	Baadsgaard	119/58
D368,556	S *	4/1996	Rodgers	D30/106
5,509,377	A *	4/1996	Franklin	119/60
D395,101	S *	6/1998	Paci	D30/109
5,909,717	A *	6/1999	Randall	119/58
6,497,195	B1 *	12/2002	Beyers	119/60
7,004,378	B1 *	2/2006	Tharpe, Jr.	229/120

\* cited by examiner

*Primary Examiner*—Susan Moon Lee

(74) *Attorney, Agent, or Firm*—Paul M. Denk

(57) **CLAIM**

I claim the ornamental design for a hay feeding case, as shown and described.

**DESCRIPTION**

FIG. 1 is an isometric view of the hay feeding case of this invention;

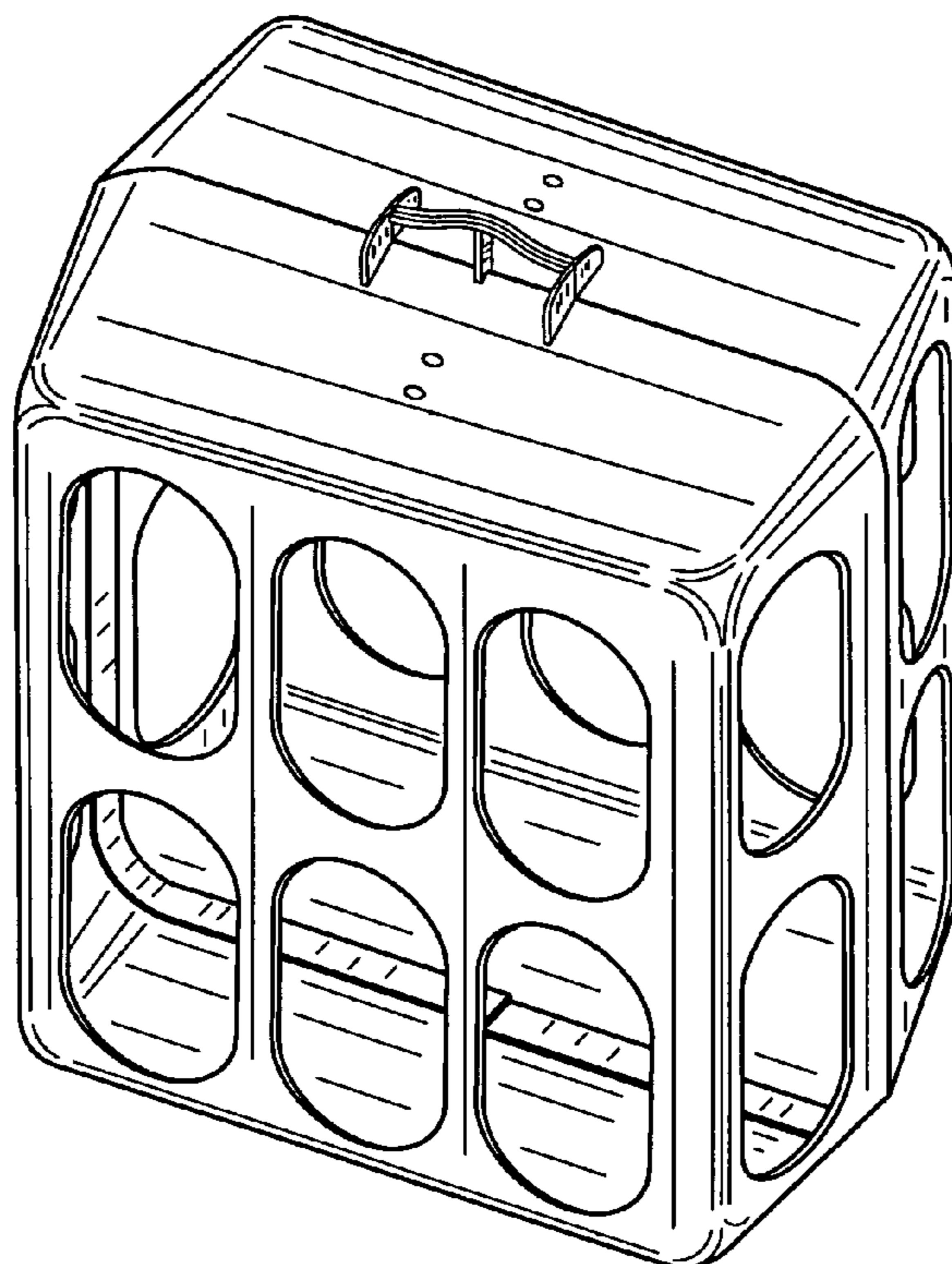
FIG. 2 is a front view thereof, the rear view being substantially a mirror image thereof;

FIG. 3 is a side view, the opposite side view being a mirror image thereof;

FIG. 4 is a top plan view; and,

FIG. 5 is a bottom plan view.

**1 Claim, 2 Drawing Sheets**



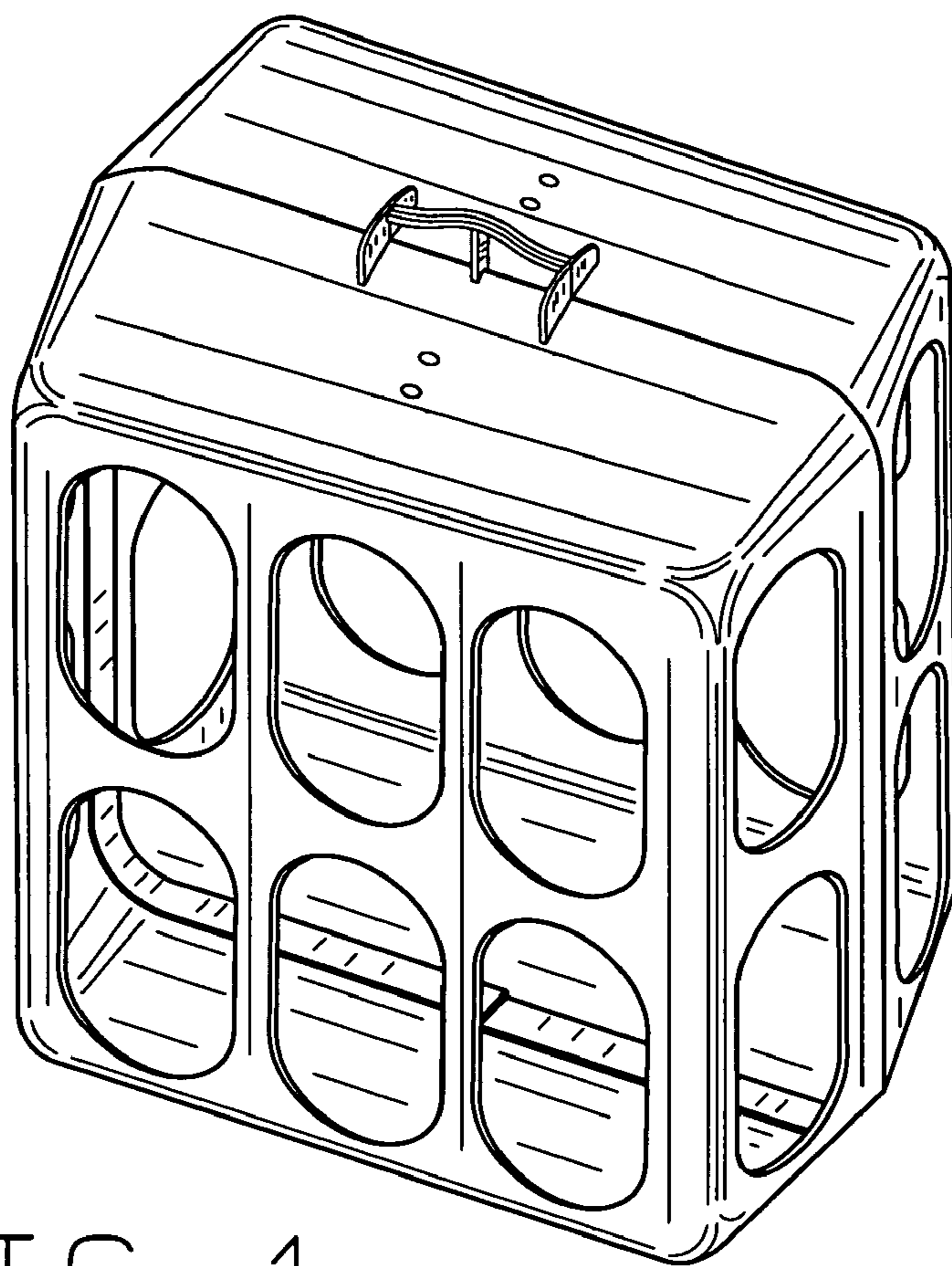


FIG. 1

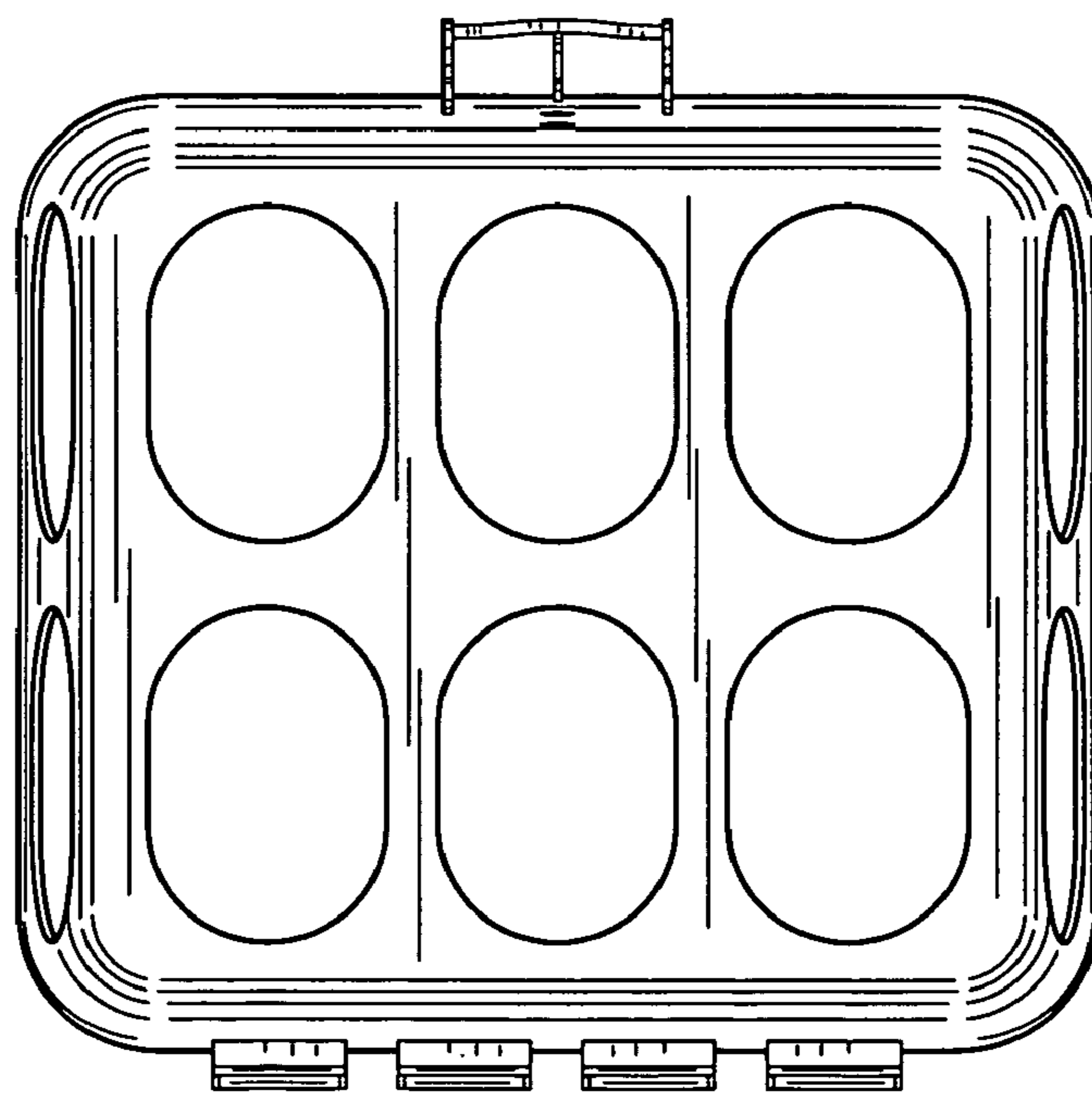


FIG. 2

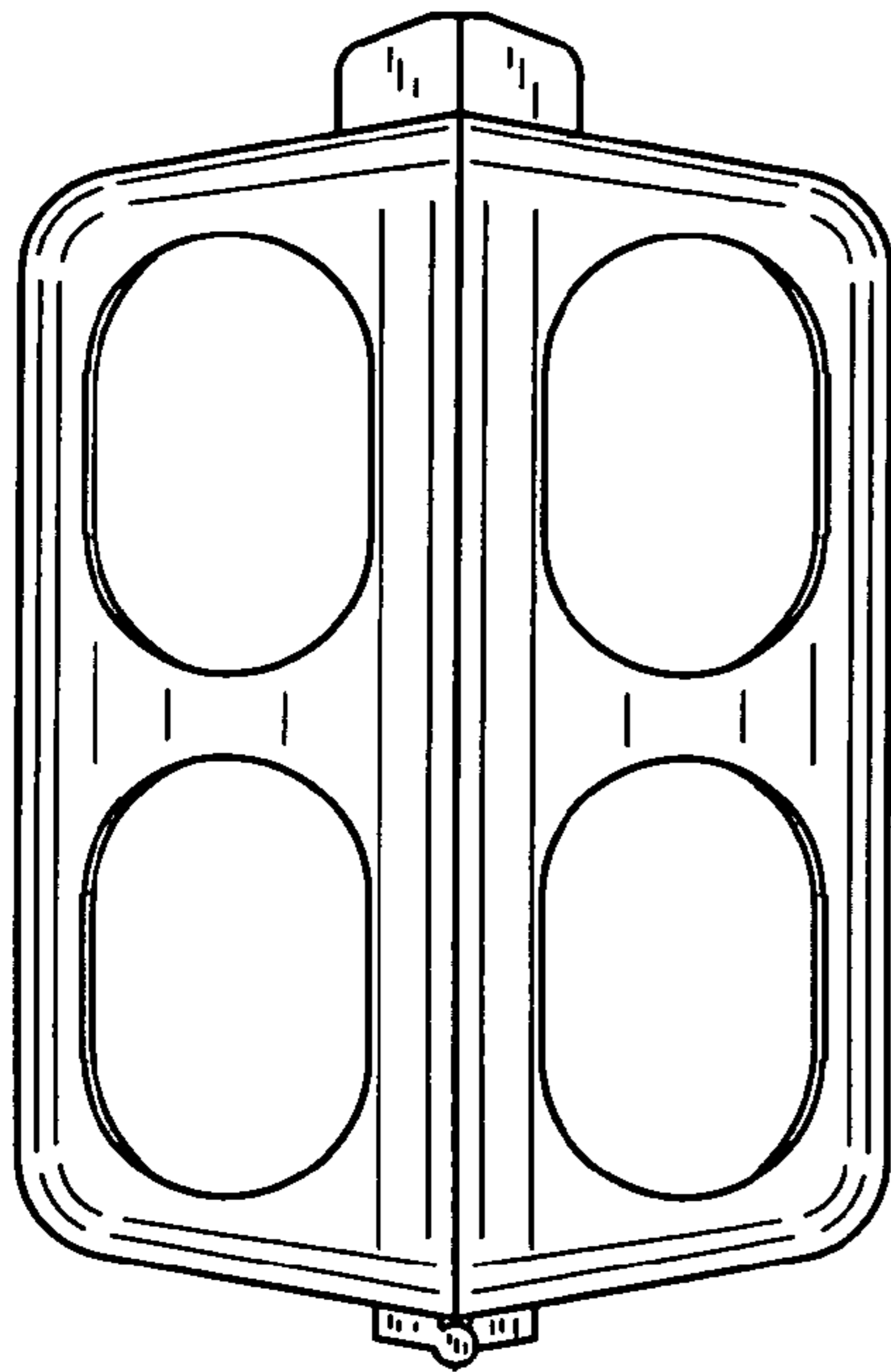


FIG. 3

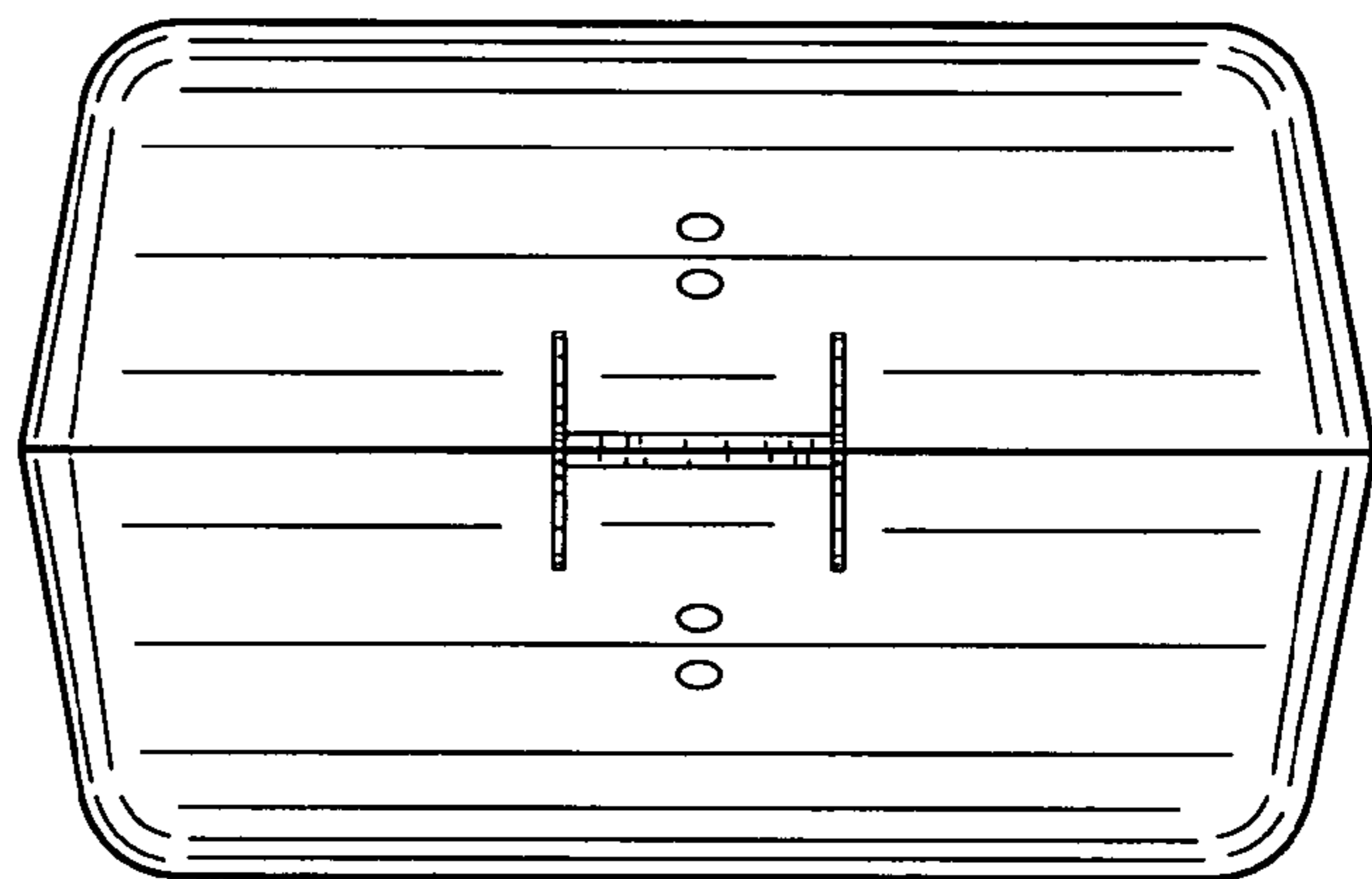


FIG. 4

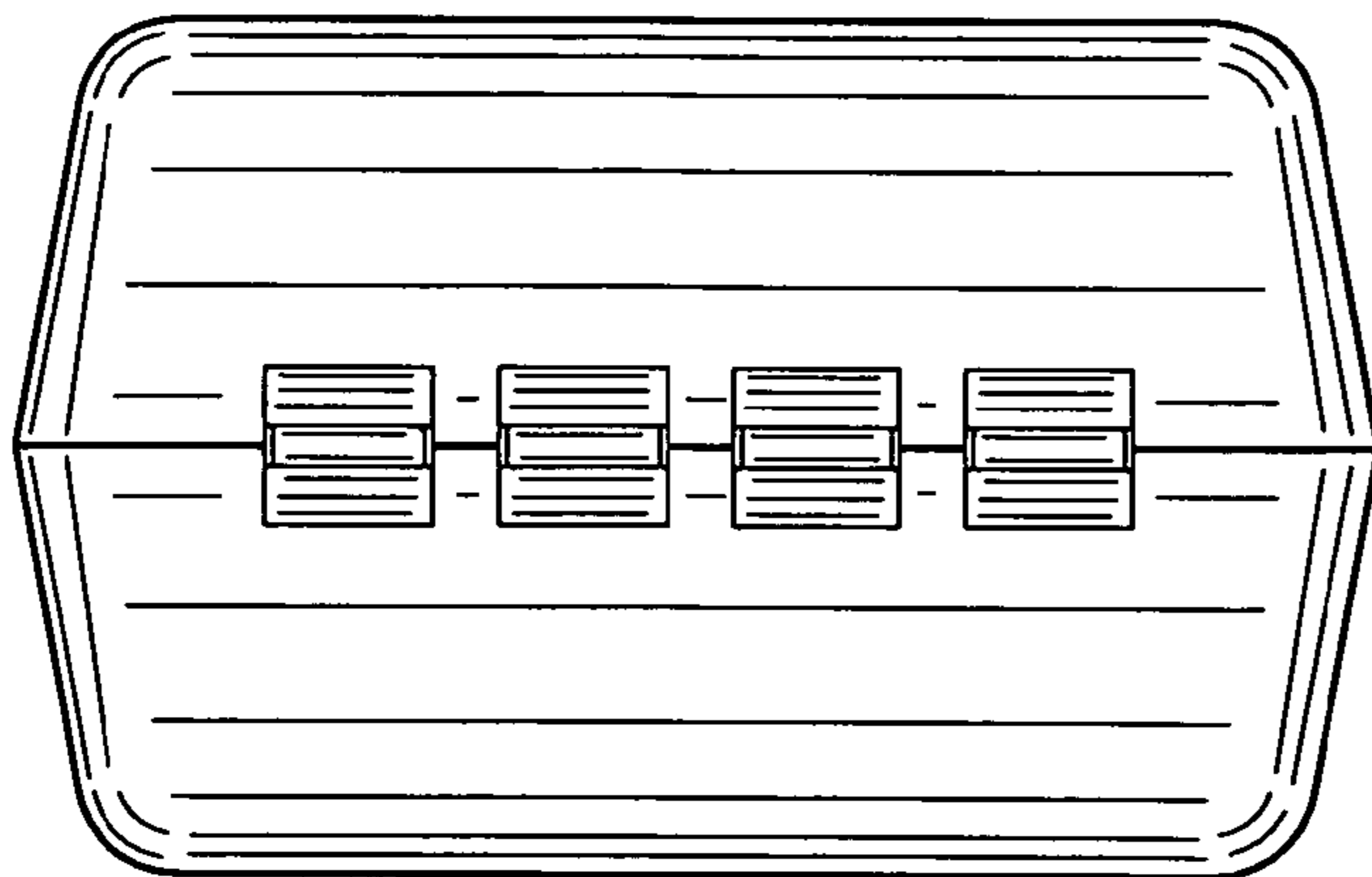


FIG. 5