



US00D622449S

(12) **United States Design Patent**
Culley et al.

(10) **Patent No.:** **US D622,449 S**

(45) **Date of Patent:** **** Aug. 24, 2010**

(54) **PAD**

(75) Inventors: **Brian J. Culley**, Broadview Heights, OH (US); **Mickey Smicklevich**, Stow, OH (US)

(73) Assignee: **Remington Products Company**, Wadsworth, OH (US)

(**) Term: **14 Years**

(21) Appl. No.: **29/314,373**

(22) Filed: **Mar. 26, 2009**

(51) **LOC (9) Cl.** **29-02**

(52) **U.S. Cl.** **D29/122**

(58) **Field of Classification Search** D29/100, D29/101.1, 101.2, 101.3, 101.4, 101.5, 120.1, D29/120.2, 121.1, 121.2, 122; D2/858; D24/190; 2/16, 20-24, 62, 267, 455, 459, 461-468, 2/910, 911; 602/3, 5, 6, 16, 23, 26
See application file for complete search history.

(56) **References Cited**

U.S. PATENT DOCUMENTS

2,785,407	A *	3/1957	Reeder	2/22
D328,159	S *	7/1992	Donzis	D29/100
D336,548	S *	6/1993	Zeller	D29/121.1
D402,424	S *	12/1998	Jackson	D29/122
D431,329	S *	9/2000	Chen	D29/122
6,195,809	B1 *	3/2001	Garcia	2/455

6,336,220	B1 *	1/2002	Sacks et al.	2/22
6,453,476	B1	9/2002	Moore, III	2/412
7,159,249	B2	1/2007	Dennis et al.	2/421
D584,945	S *	1/2009	Friedland et al.	D9/425
D593,369	S *	6/2009	Green et al.	D7/602
D601,856	S *	10/2009	Pancza	D7/566
D616,155	S *	5/2010	Juhlin	D29/122
2004/0078873	A1 *	4/2004	Goodwin	2/267
2005/0251899	A1	11/2005	Dennis et al.	2/414
2007/0281125	A1	12/2007	Moore, III et al.	428/71

* cited by examiner

Primary Examiner—Raphael Barkai

Assistant Examiner—Randall H Gholson

(74) *Attorney, Agent, or Firm*—Renner, Kenner, Greive, Bobak, Taylor & Weber

(57) **CLAIM**

The ornamental design for a pad, as shown and described.

DESCRIPTION

FIG. 1 is a top, front, right side perspective view of a pad showing our new design;

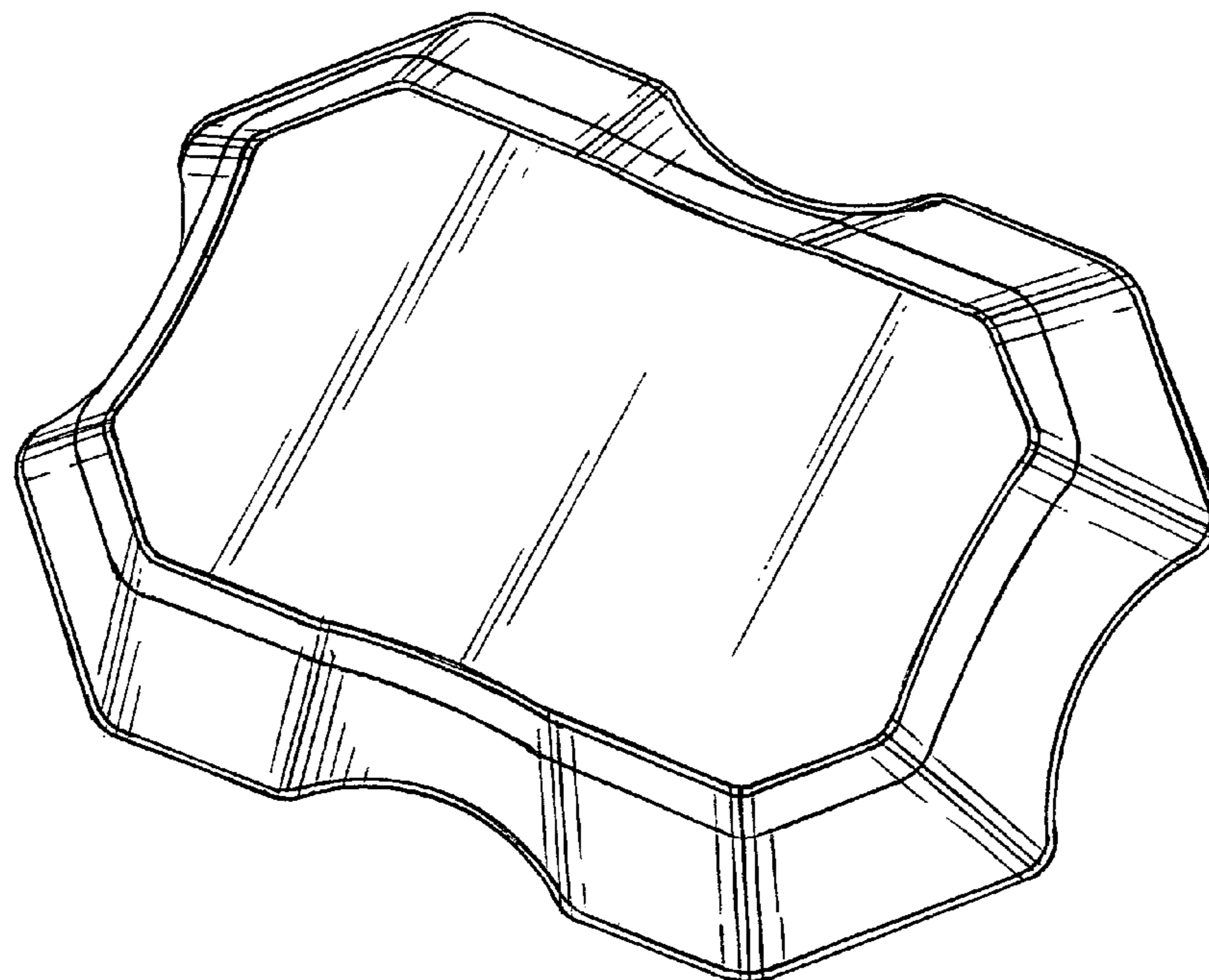
FIG. 2 is a top plan view thereof;

FIG. 3 is a bottom plan view thereof;

FIG. 4 is a rear elevational view thereof, the front elevational view being the same as FIG. 4; and,

FIG. 5 is a left side elevational view thereof, the right side elevational view being the same as FIG. 5.

1 Claim, 2 Drawing Sheets



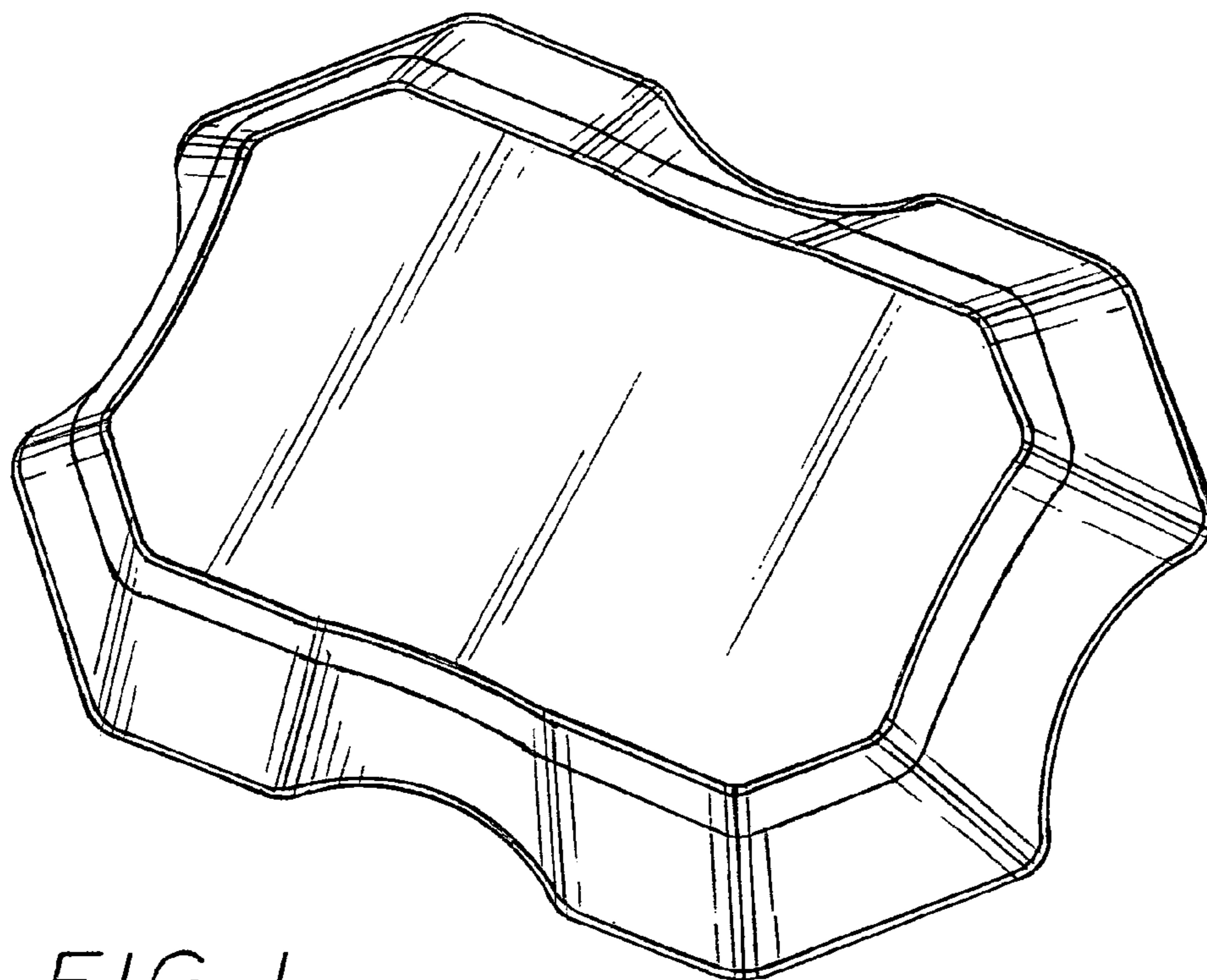


FIG. 1

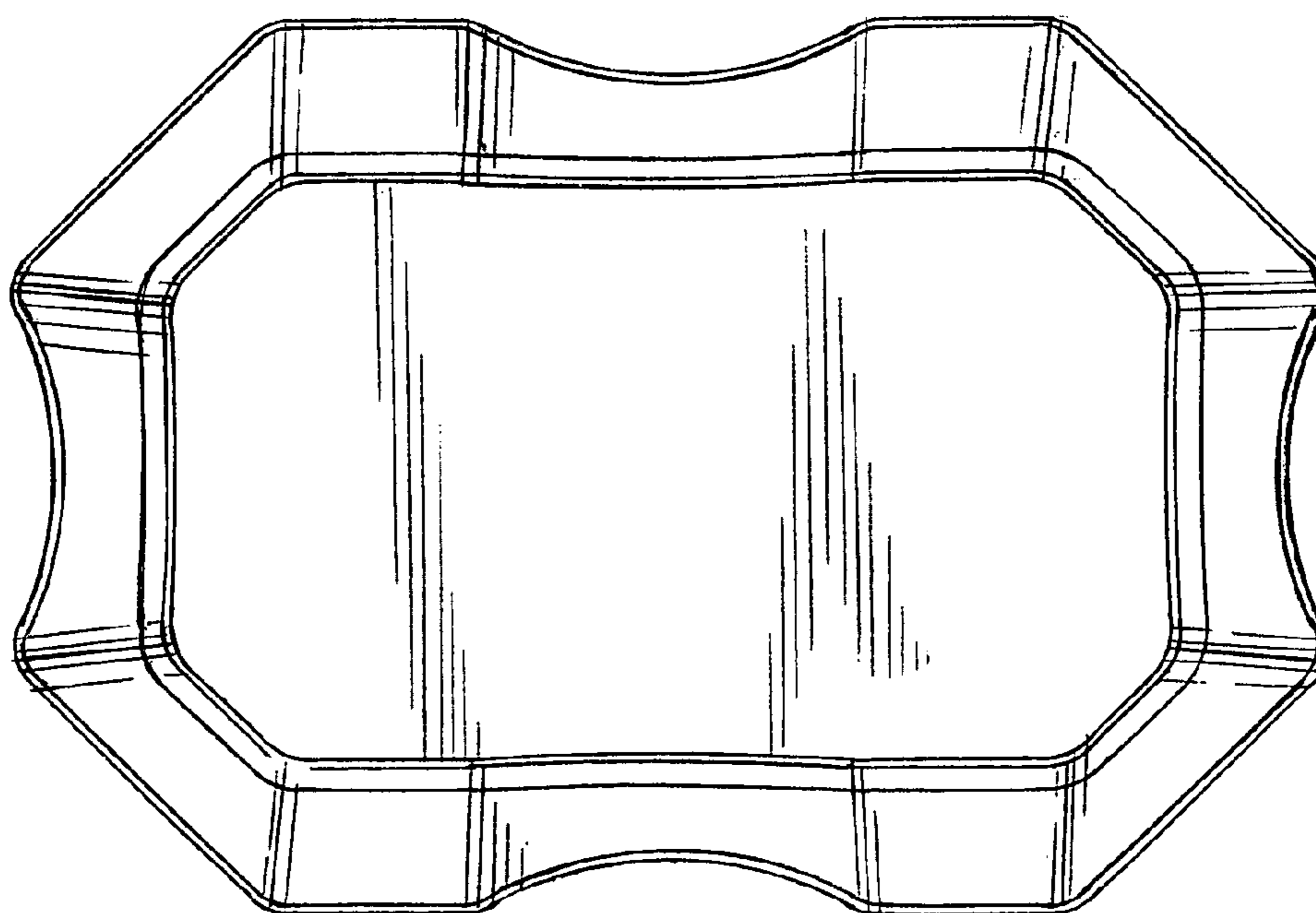


FIG. 2

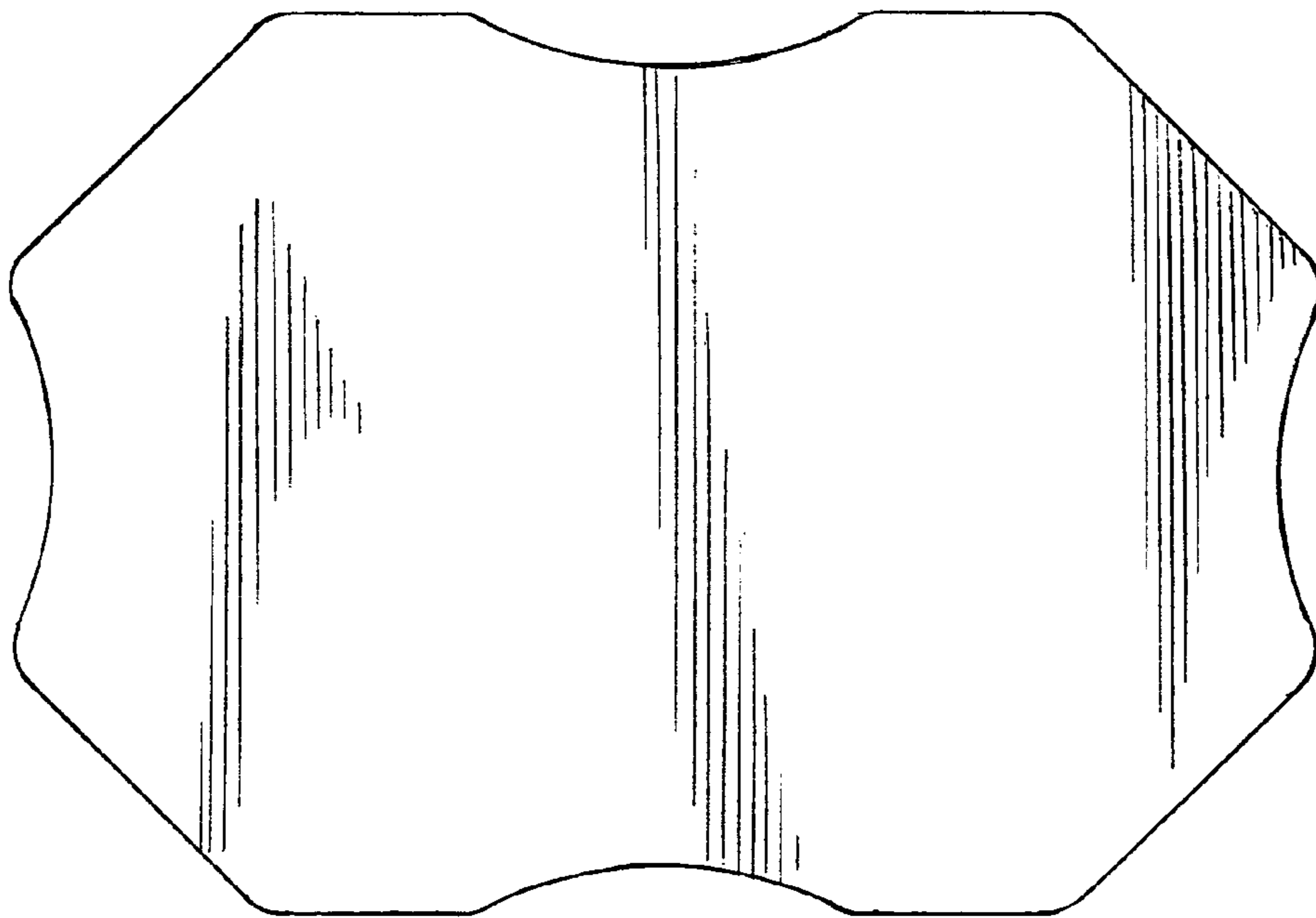


FIG. 3

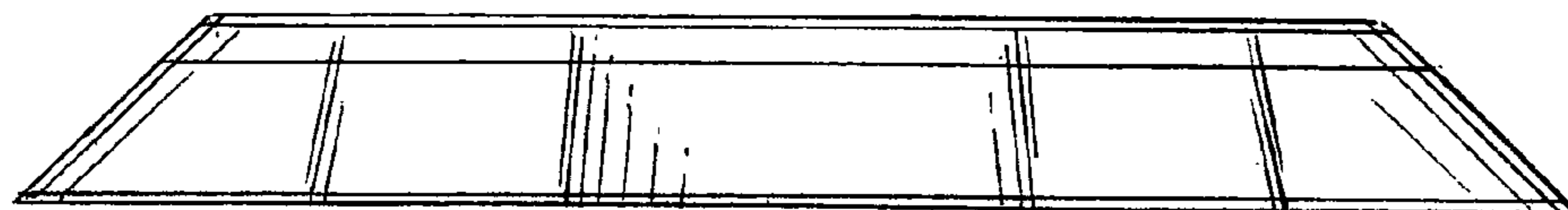


FIG. 4

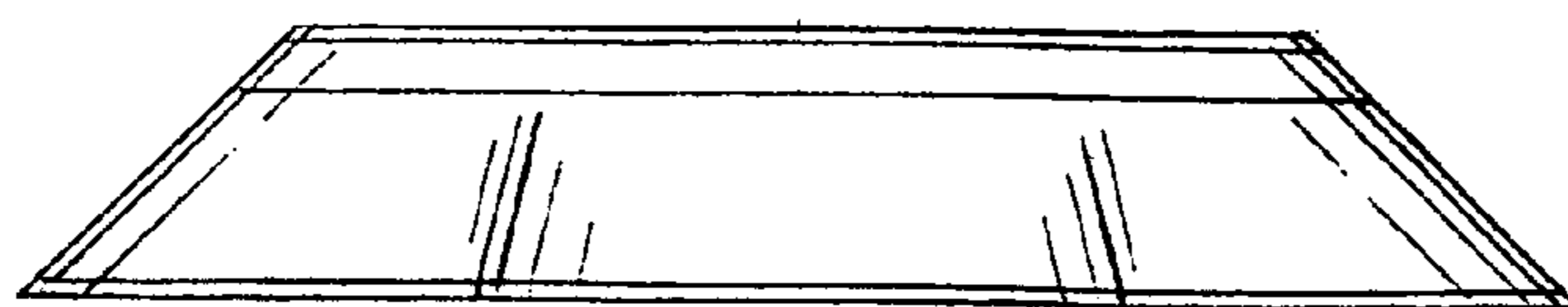


FIG. 5