



US00D622447S

(12) **United States Design Patent**  
**Hurman**

(10) **Patent No.:** **US D622,447 S**

(45) **Date of Patent:** **\*\* Aug. 24, 2010**

(54) **NAIL BATH**

(75) Inventor: **Helen Hurman**, Buckinghamshire (GB)

(73) Assignee: **Pinkies Nail Products Ltd**,  
Buckinghamshire (GB)

(\*\*) Term: **14 Years**

(21) Appl. No.: **29/333,079**

(22) Filed: **Mar. 3, 2009**

(51) **LOC (9) Cl.** ..... **28-03**

(52) **U.S. Cl.** ..... **D28/58; D28/61**

(58) **Field of Classification Search** ..... D28/56-58,  
D28/61; 132/73, 73.5, 75.6, 74.5  
See application file for complete search history.

(56) **References Cited**

**U.S. PATENT DOCUMENTS**

|           |    |   |         |           |       |          |
|-----------|----|---|---------|-----------|-------|----------|
| D155,435  | S  | * | 10/1949 | Mandold   | ..... | D28/61   |
| D167,672  | S  | * | 9/1952  | Blackburn | ..... | D28/61   |
| 4,307,738 | A  | * | 12/1981 | Barns     | ..... | 132/74.5 |
| 5,007,441 | A  | * | 4/1991  | Goldstein | ..... | 132/73.6 |
| 5,755,240 | A  | * | 5/1998  | Schonborn | ..... | 132/74.5 |
| D440,712  | S  | * | 4/2001  | Lu        | ..... | D28/61   |
| D443,112  | S  | * | 5/2001  | Lu        | ..... | D28/61   |
| 6,289,900 | B1 | * | 9/2001  | Kay       | ..... | 132/74.5 |
| D454,982  | S  | * | 3/2002  | Renfrew   | ..... | D28/73   |
| D526,445  | S  | * | 8/2006  | Ng        | ..... | D28/76   |

D587,406 S \* 2/2009 Ruiz ..... D28/61

\* cited by examiner

*Primary Examiner*—Jennifer Rivard

(74) *Attorney, Agent, or Firm*—Jeffrey S. Melcher; Manelli  
Denison & Selter PLLC

(57) **CLAIM**

I claim the ornamental design for a nail bath, as shown and described.

**DESCRIPTION**

FIG. 1 shows an overall perspective view of a nail bath from the front, above and to one side;

FIG. 2 shows an overall perspective view of the nail bath of FIG. 1 as seen from the back, above and to one side;

FIG. 3 shows a front elevational view of the nail bath of FIGS. 1 and 2;

FIG. 4 shows a rear elevational view of the nail bath of FIGS. 1 to 3;

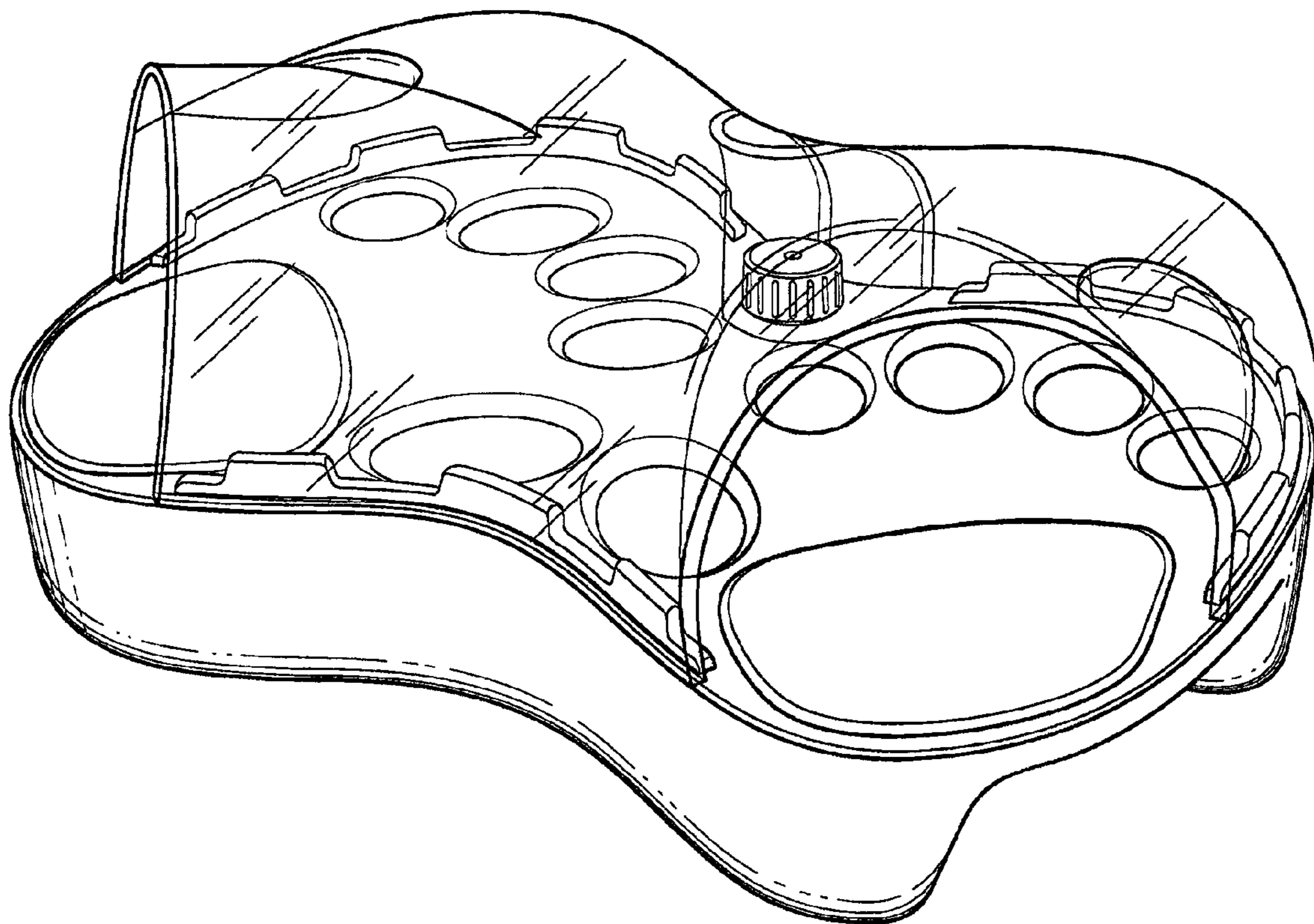
FIG. 5 shows an elevational view as seen from the left in FIG. 3;

FIG. 6 shows an elevational view as seen from the right in FIG. 3;

FIG. 7 shows a top plan view of the nail bath; and,

FIG. 8 shows an underneath plan view of the nail bath.

**1 Claim, 7 Drawing Sheets**



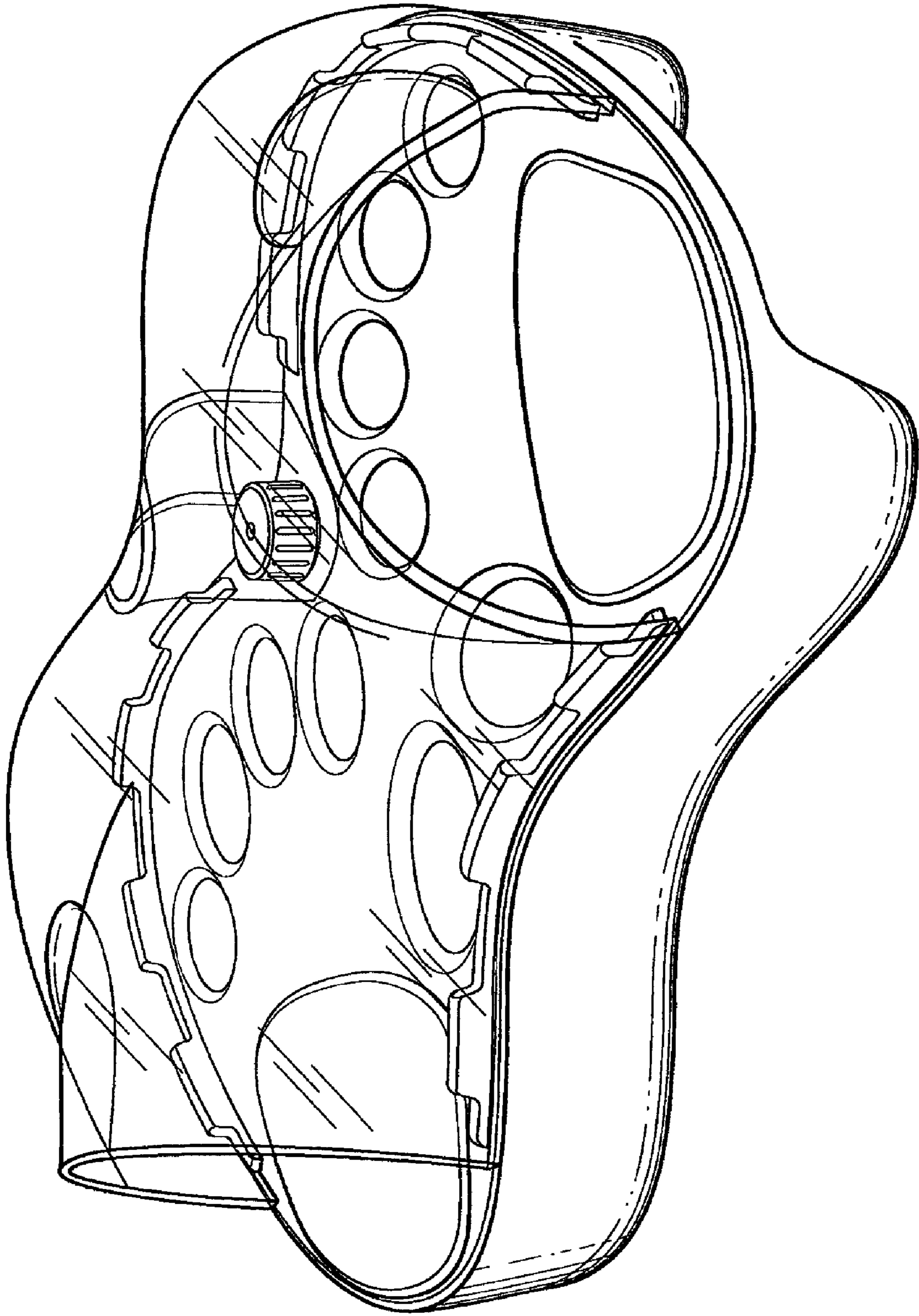


FIG. 1

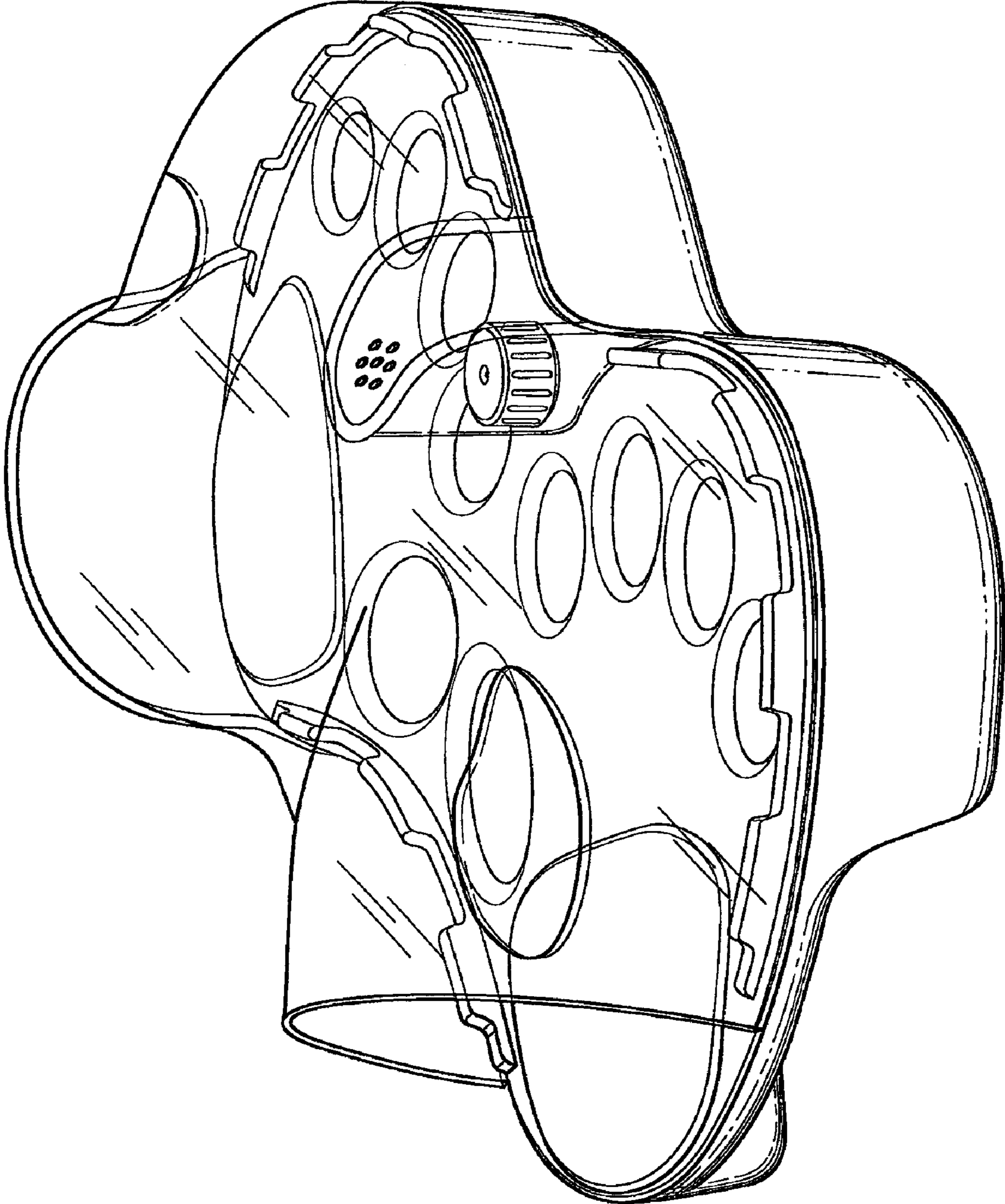


FIG. 2

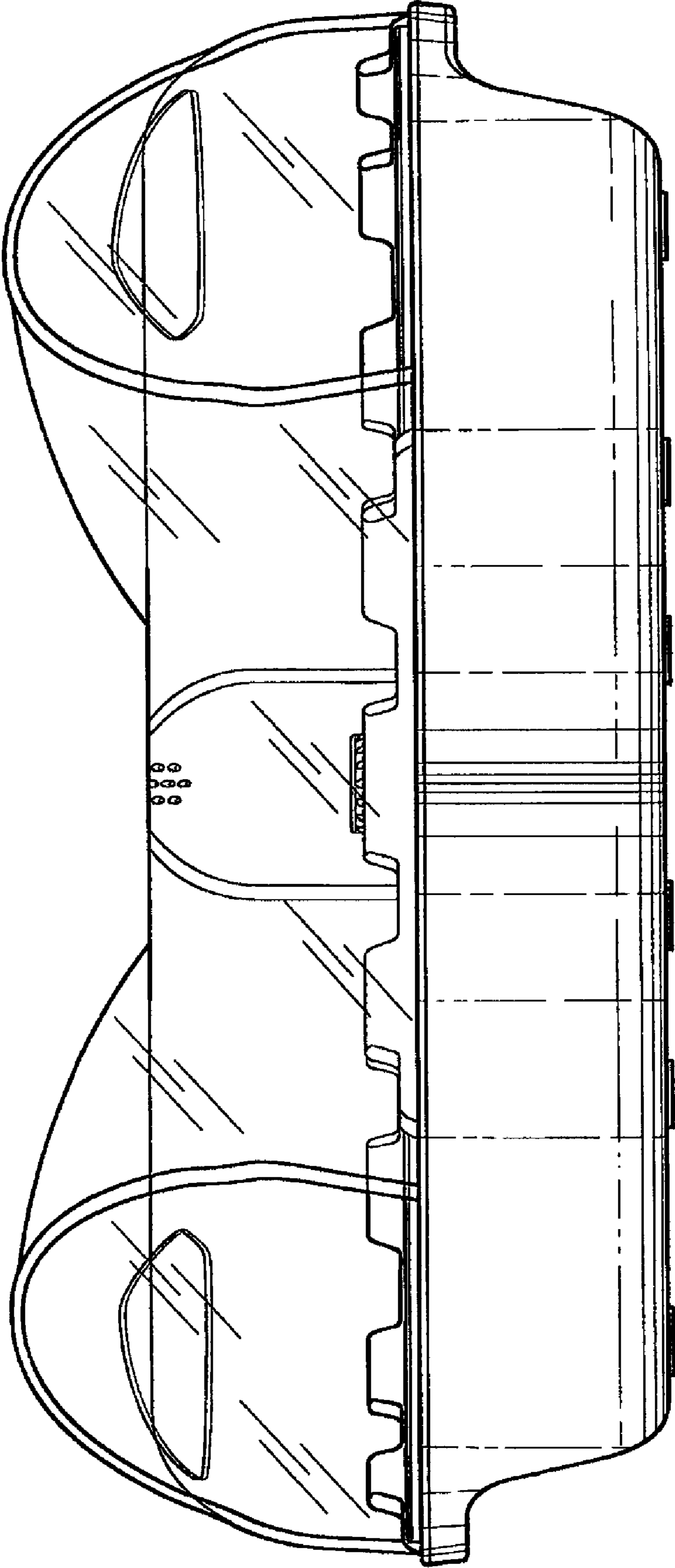


FIG. 3

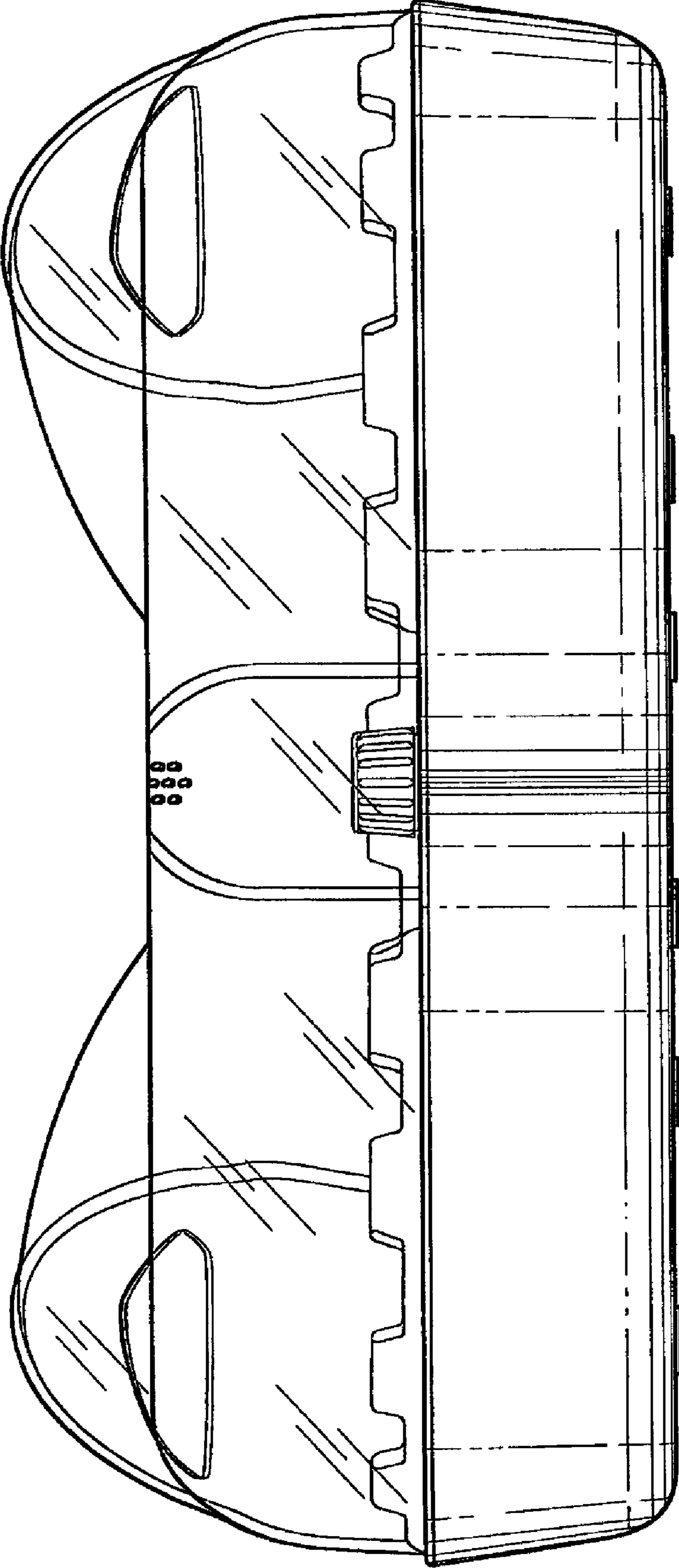


FIG. 4

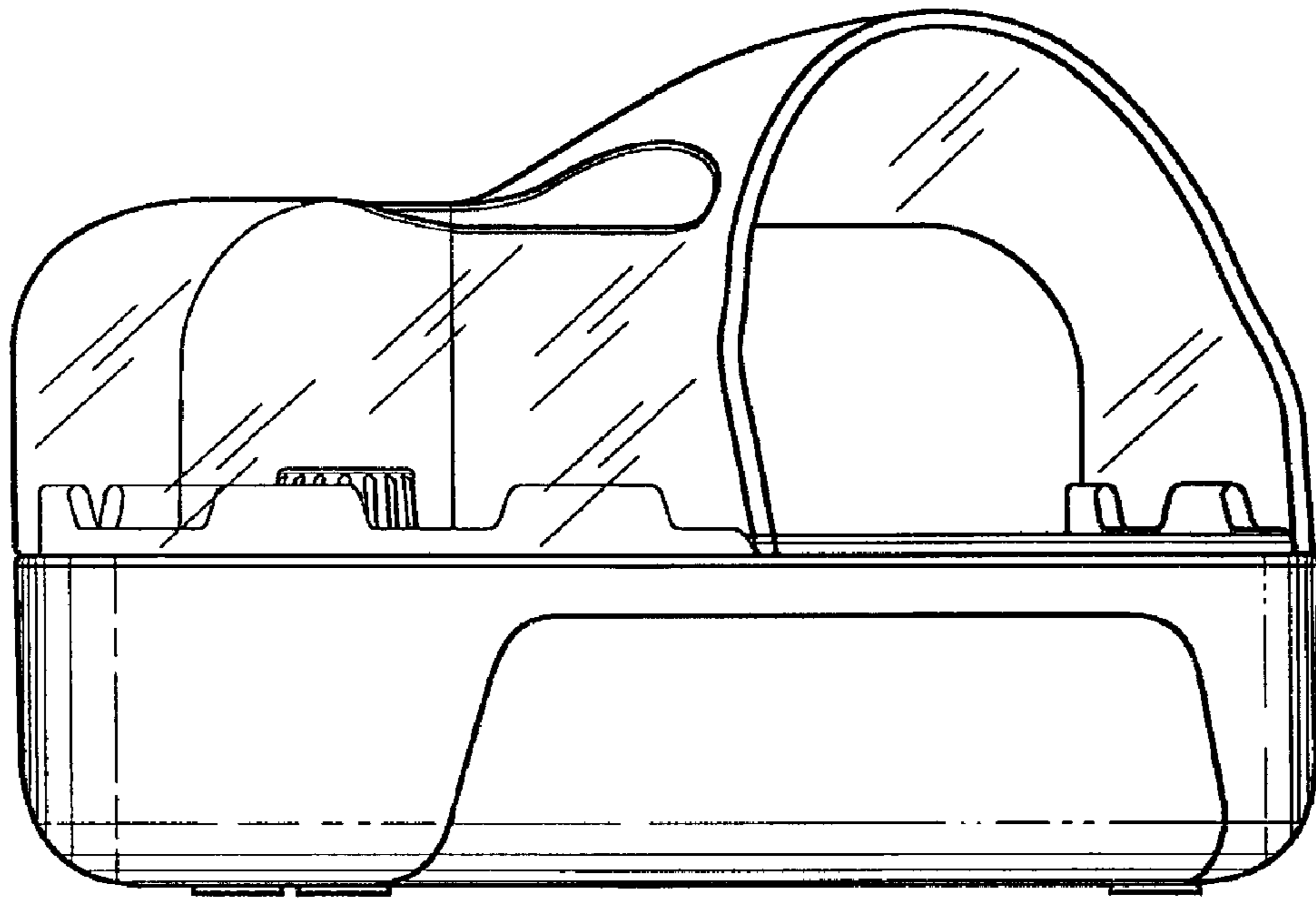


FIG. 5

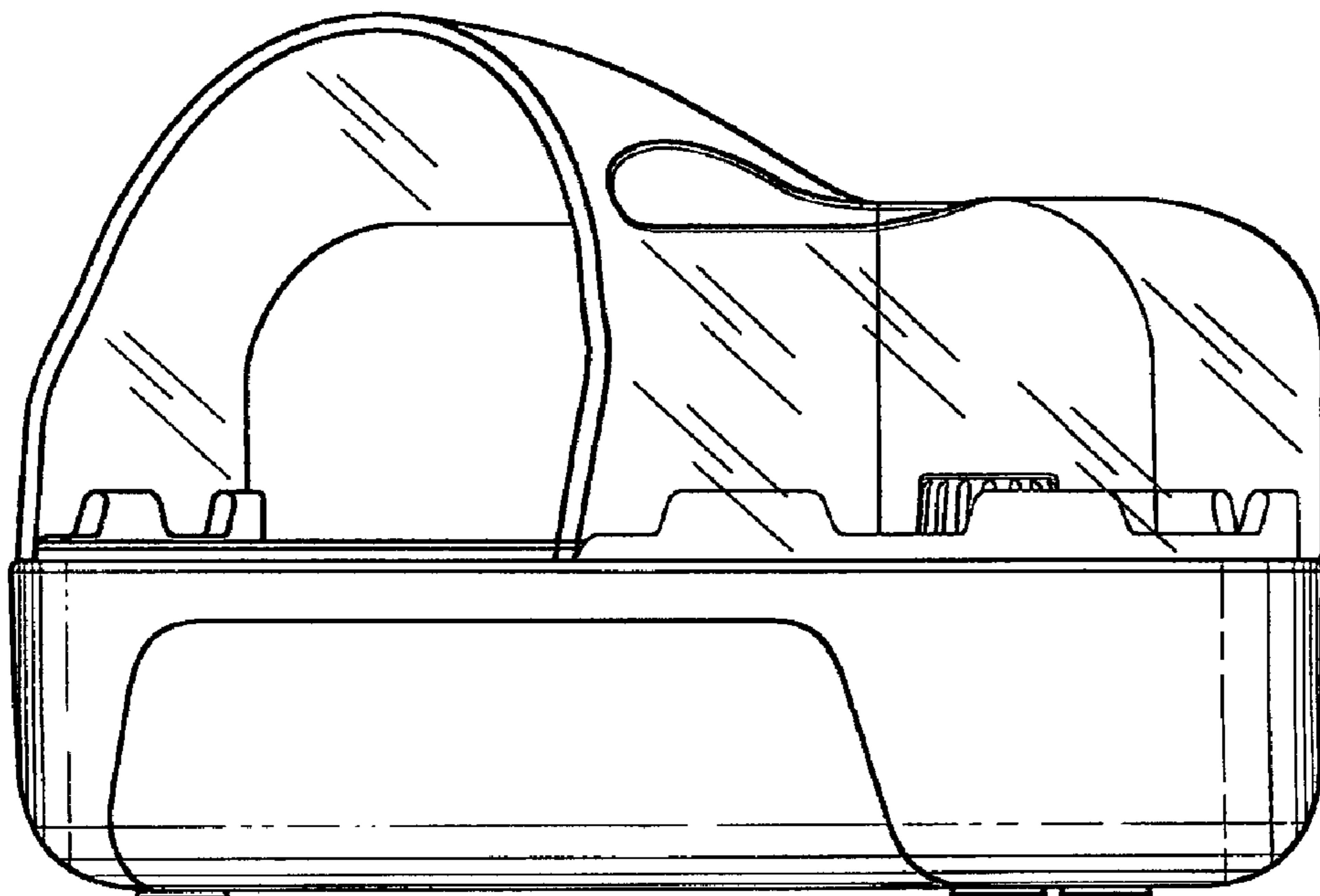


FIG. 6

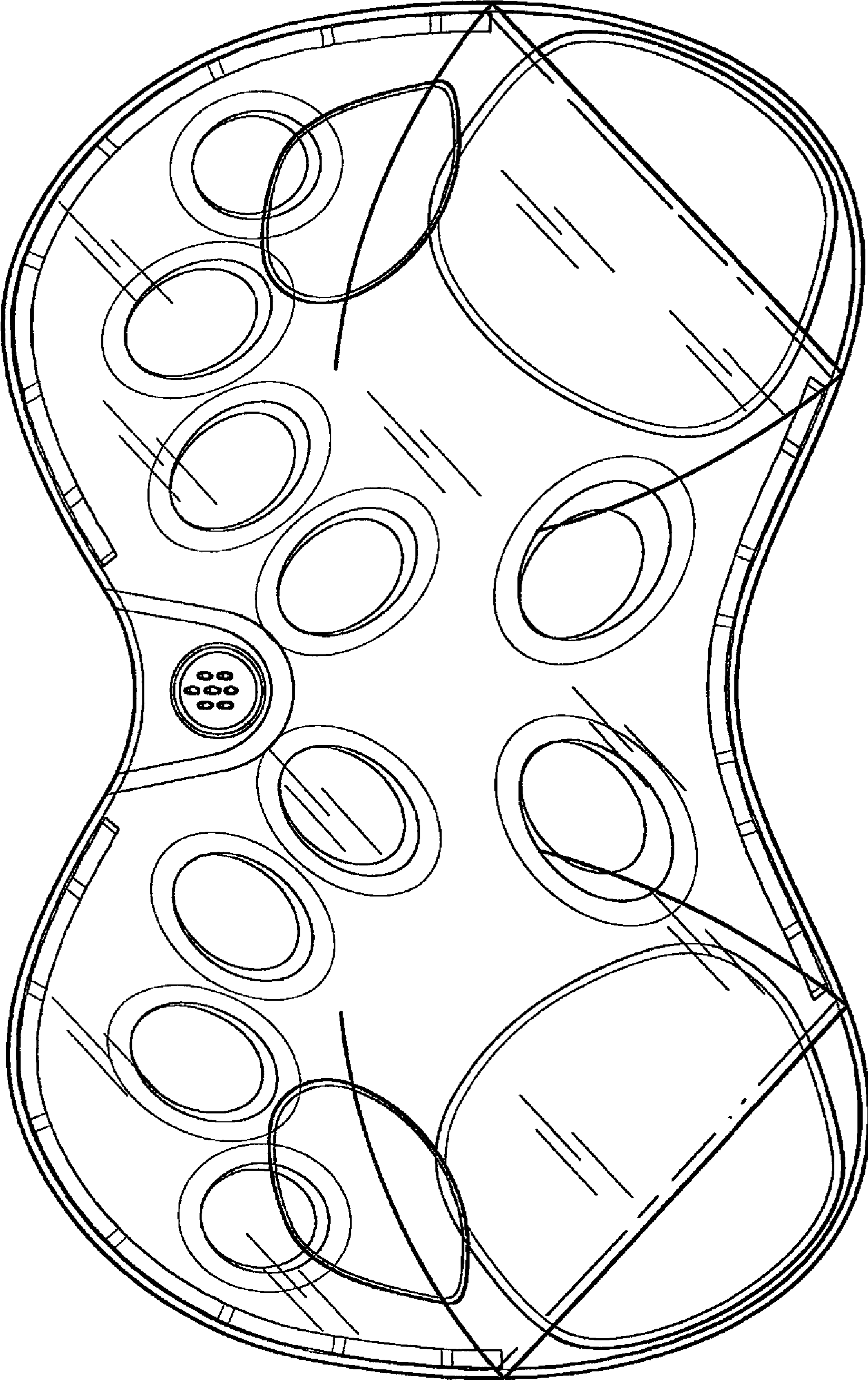


FIG. 7

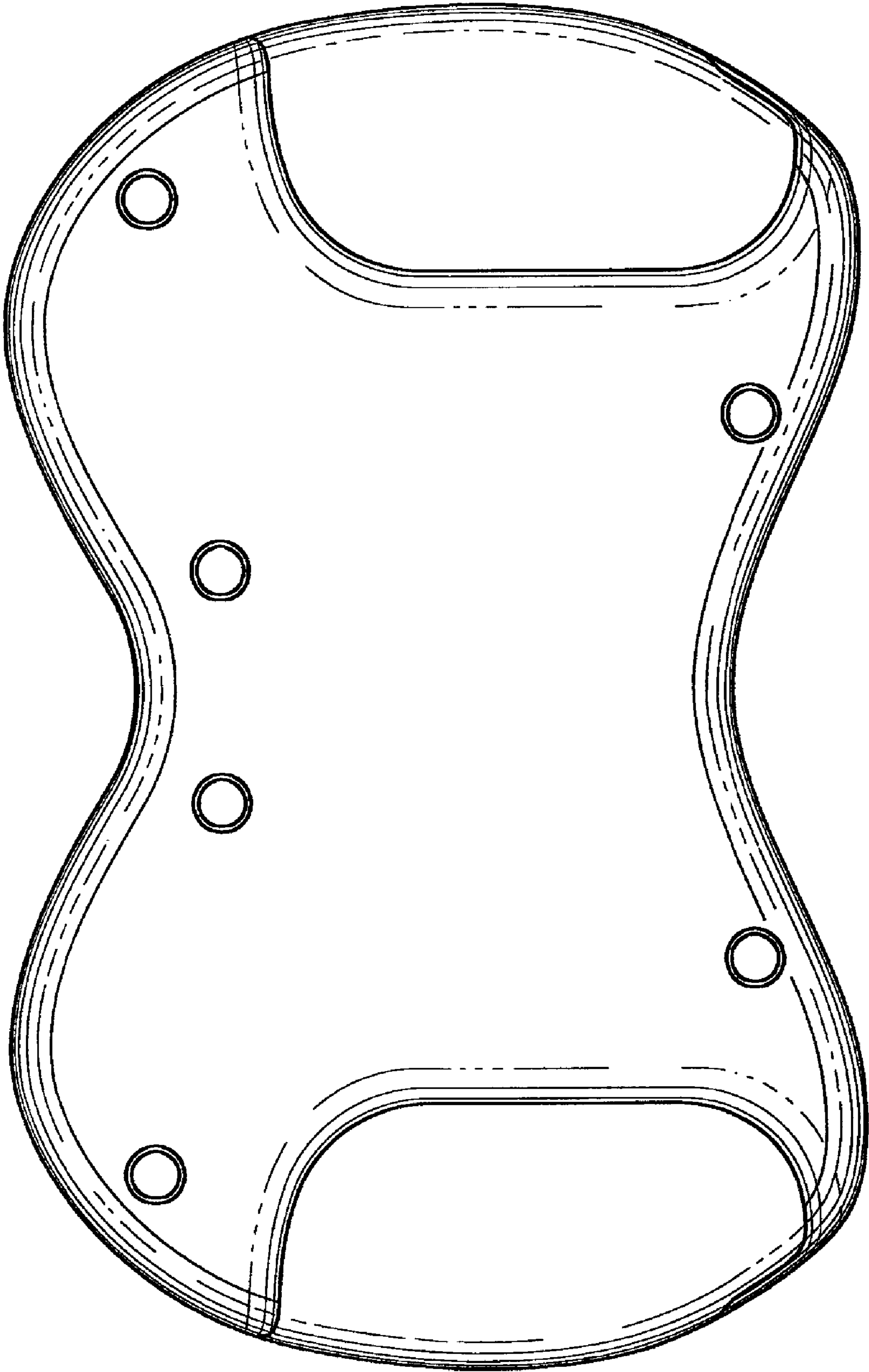


FIG. 8