



US00D622443S

(12) **United States Design Patent**
Huang

(10) **Patent No.:** **US D622,443 S**

(45) **Date of Patent:** **** Aug. 24, 2010**

(54) **BASE OF A LAMP STAND**

(75) Inventor: **Huo-Tu Huang**, Taipei County (TW)

(73) Assignee: **Huangslite Industrial Co., Ltd.**, Taipei County (TW)

(**) Term: **14 Years**

(21) Appl. No.: **29/347,636**

(22) Filed: **Mar. 23, 2010**

(51) **LOC (9) Cl.** **26-99**

(52) **U.S. Cl.** **D26/142**

(58) **Field of Classification Search** D26/28,
D26/30, 31, 118, 2, 74, 152, 38, 26, 142,
D26/123, 122, 120, 128, 131, 133, 134, 119,
D26/121, 124, 129, 138, 139, 140, 141, 61,
D26/63, 107, 67, 71, 70, 72; 362/294, 373,
362/493, 496, 509, 147, 257, 296, 317, 326,
362/331, 335, 340, 350, 364, 384, 365; D23/411;
D13/180; 40/572, 592; D20/10, 17, 42;
248/343, 323; 174/58; D8/16, 354, 355,
D8/366, 373, 380, 381, 382, 383

See application file for complete search history.

(56) **References Cited**

U.S. PATENT DOCUMENTS

D441,114 S * 4/2001 Chen D26/63
D461,237 S * 8/2002 Moreno D23/411

D550,893 S * 9/2007 Huang D26/142
D550,895 S * 9/2007 Huang D26/142
D600,388 S * 9/2009 Huang D26/65
D613,892 S * 4/2010 Huang D26/63
2005/0157496 A1* 7/2005 Chen 362/243
2007/0047218 A1* 3/2007 Hsieh 362/92

* cited by examiner

Primary Examiner—Cathron C Brooks

Assistant Examiner—Kevin K Rudzinski

(74) *Attorney, Agent, or Firm*—Bacon & Thomas, PLLC

(57) **CLAIM**

The ornamental design for base of a lamp stand, as shown and described.

DESCRIPTION

FIG. 1. is a perspective view of base of a lamp stand showing my new design

FIG. 2. is a front elevational view thereof;

FIG. 3. is a rear elevational view thereof;

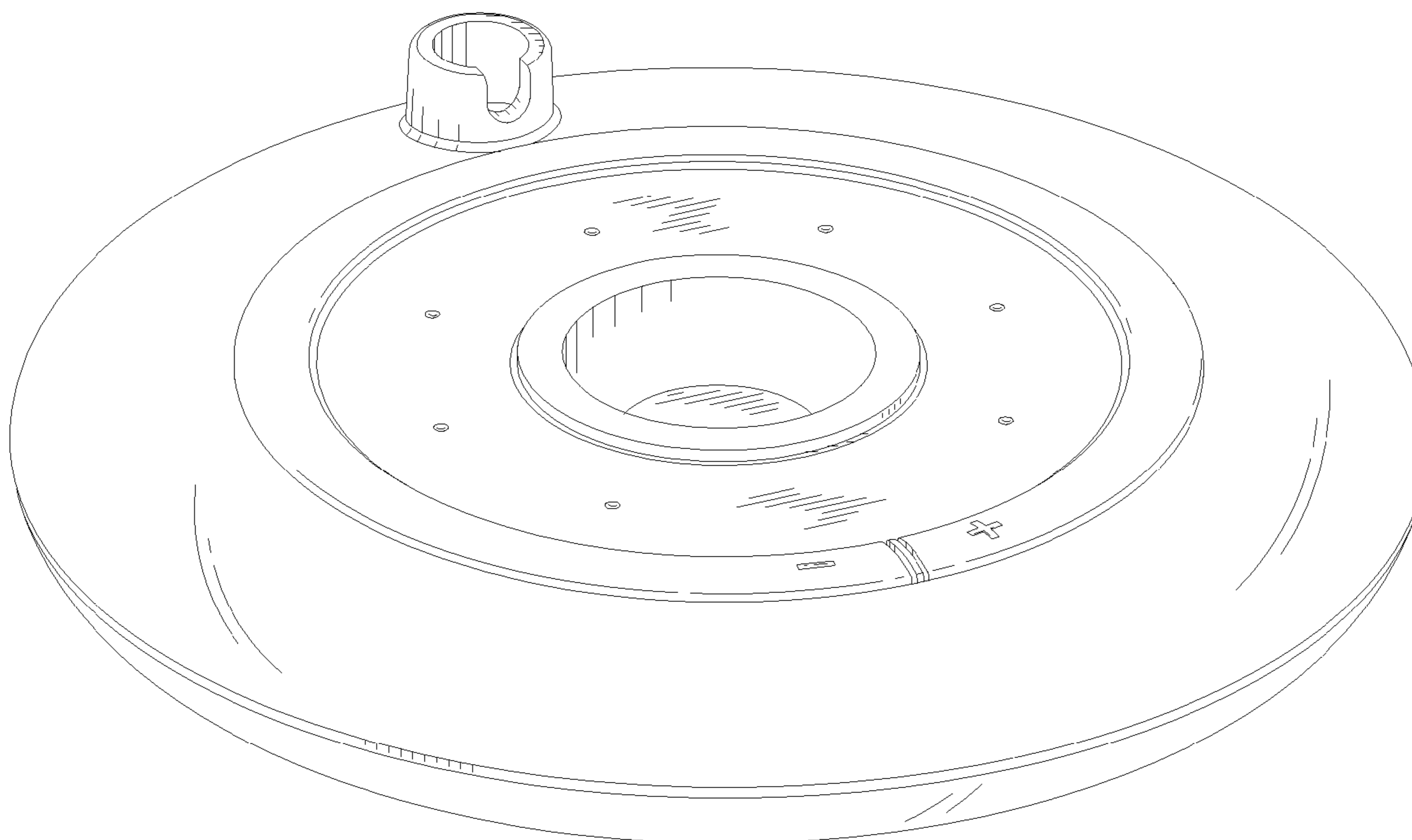
FIG. 4. is a left side elevational view thereof;

FIG. 5. is a right side elevational view thereof;

FIG. 6. is a top plan view thereof; and,

FIG. 7. is a bottom plan view thereof.

1 Claim, 5 Drawing Sheets



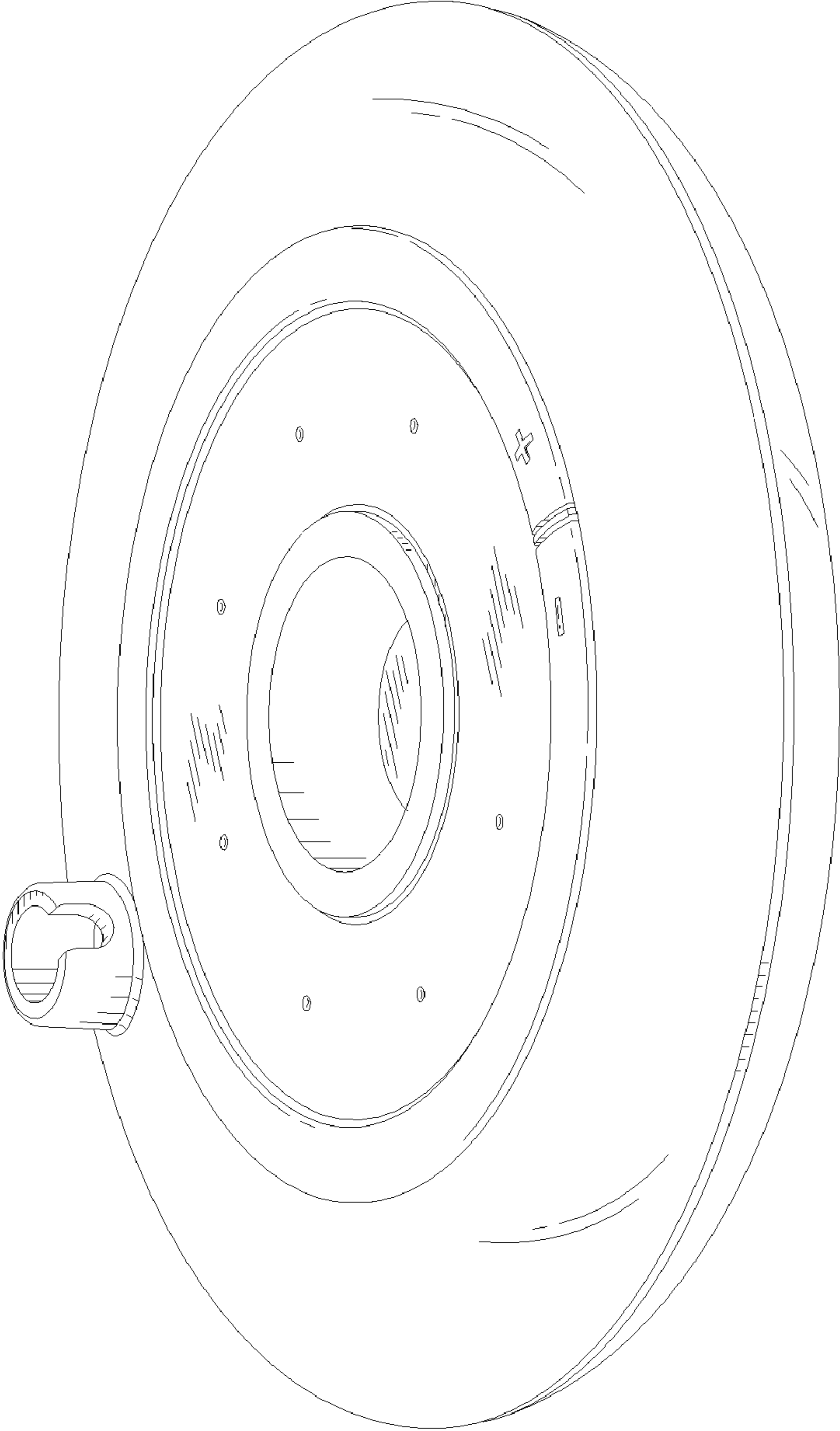


FIG. 1

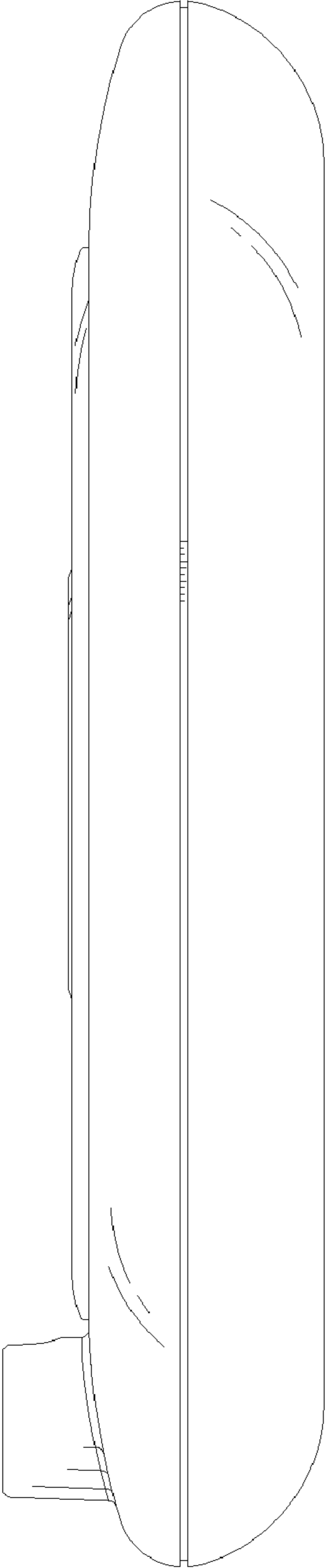


FIG. 2

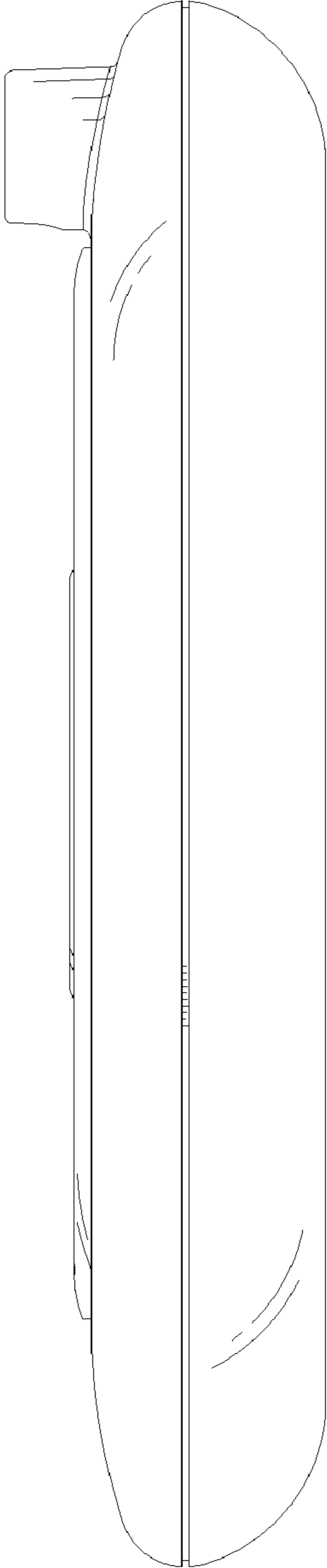


FIG. 3

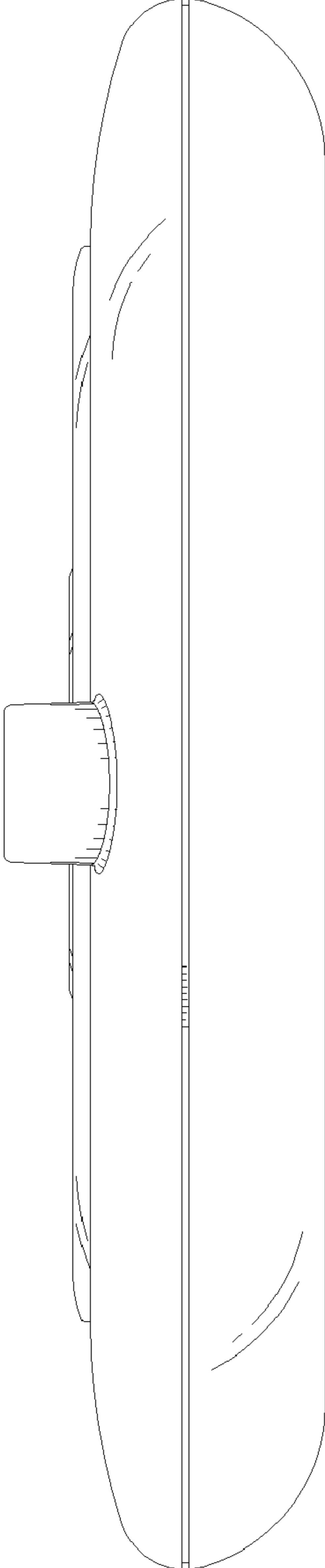


FIG. 4

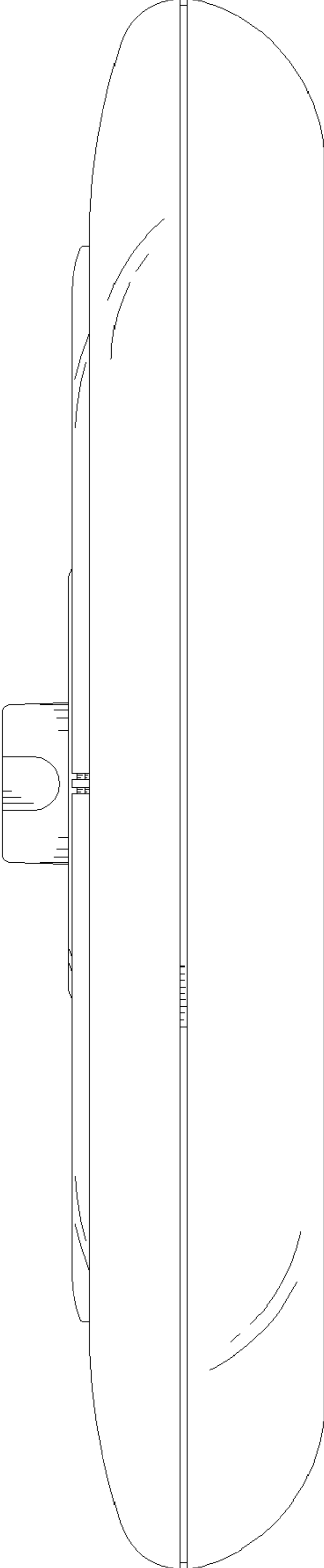


FIG. 5

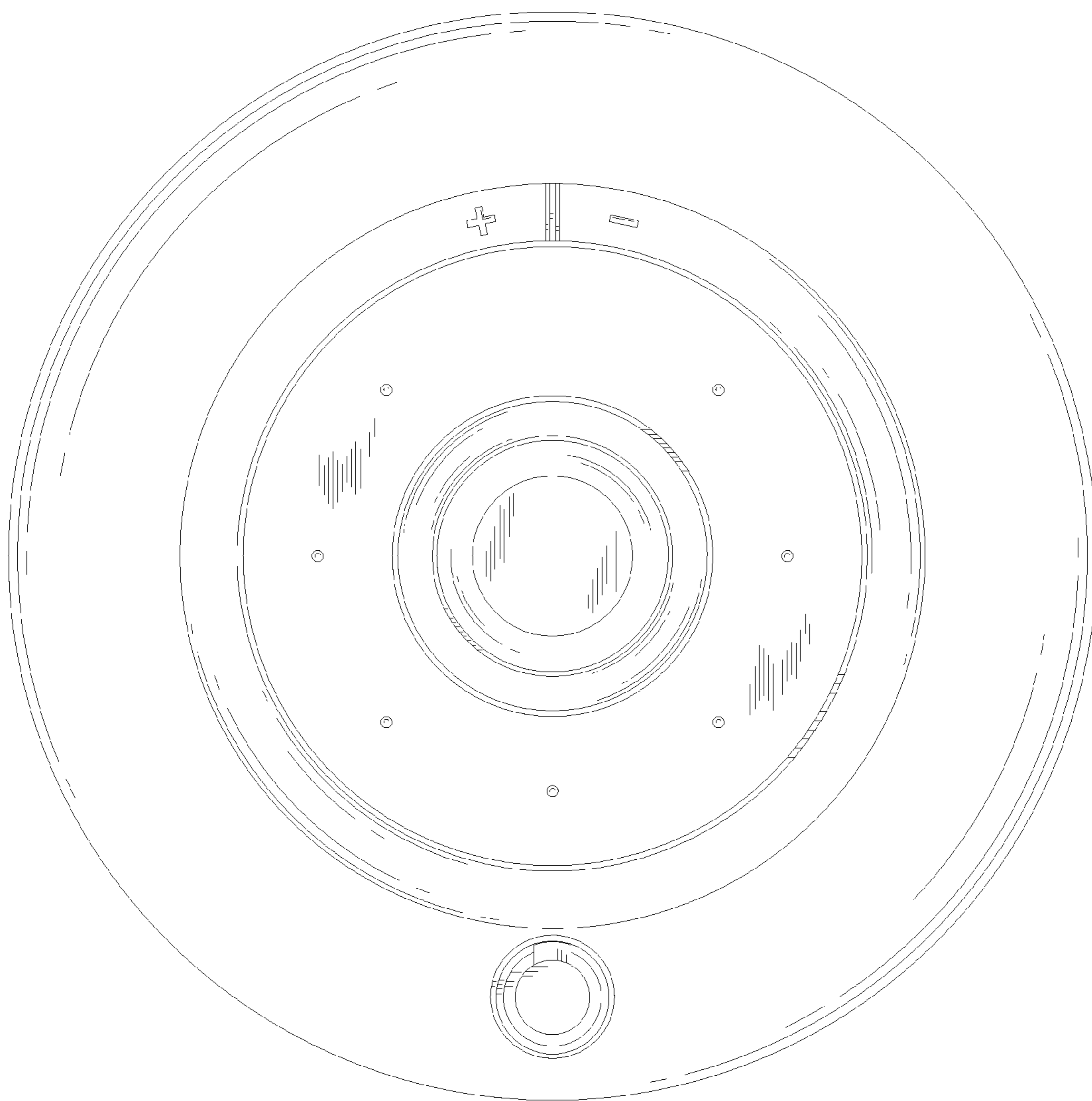


FIG. 6

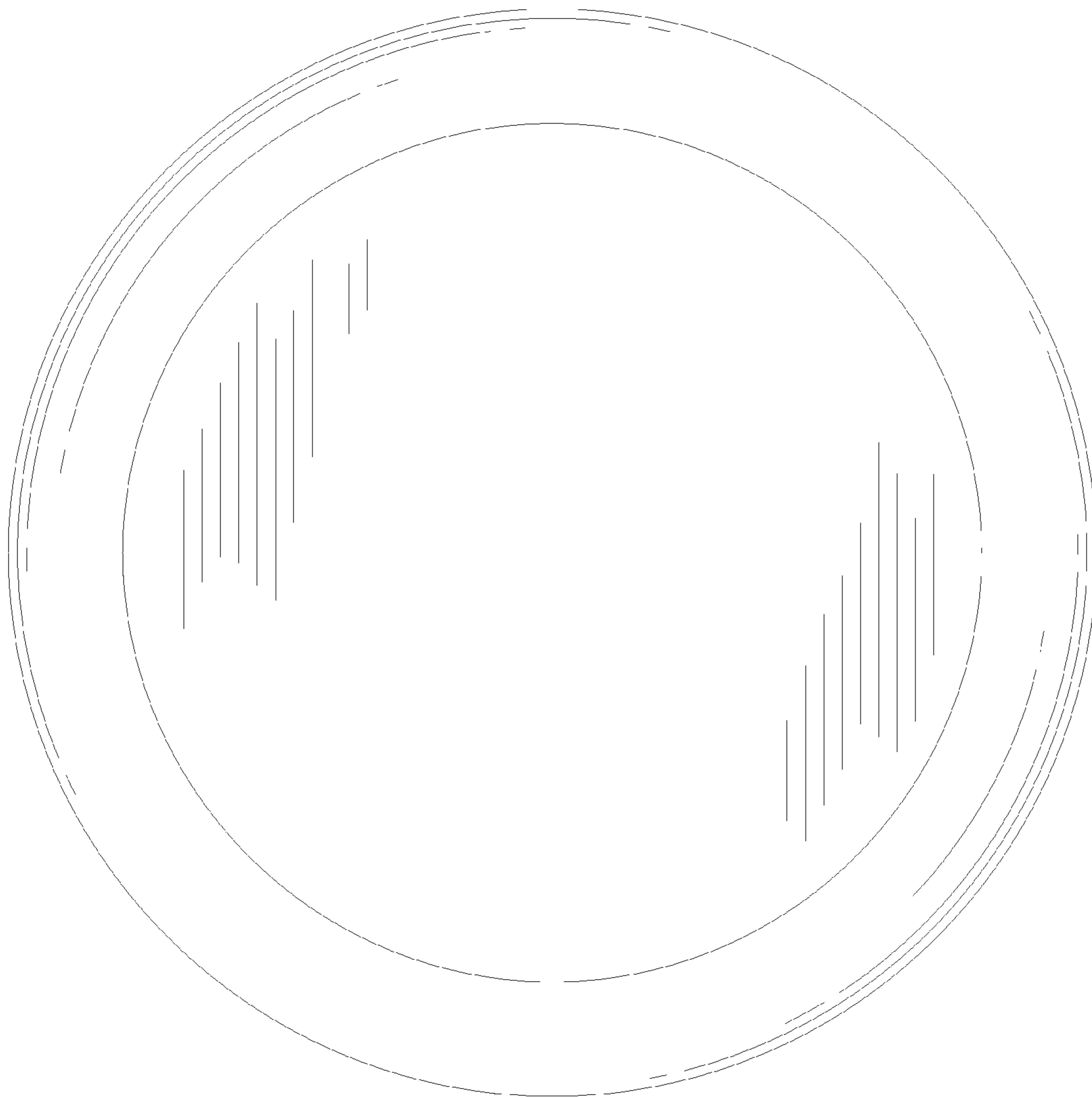


FIG. 7