



US00D622437S

(12) **United States Design Patent**
Crosby

(10) **Patent No.:** **US D622,437 S**

(45) **Date of Patent:** **** Aug. 24, 2010**

(54) **LIGHTING FIXTURE**

(75) Inventor: **Doyle Crosby**, San Rafael, CA (US)

(73) Assignee: **Boyd Lighting Fixture Company**, San Francisco, CA (US)

(**) Term: **14 Years**

(21) Appl. No.: **29/359,664**

(22) Filed: **Apr. 14, 2010**

(51) **LOC (9) Cl.** **26-03**

(52) **U.S. Cl.** **D26/88; D26/87**

(58) **Field of Classification Search** D26/85-91,
D26/118, 128; 362/147, 404-408, 432
See application file for complete search history.

(56) **References Cited**

U.S. PATENT DOCUMENTS

D73,675	S	*	10/1927	Solomon	D26/88
D85,817	S	*	12/1931	Folmer et al.	D22/123
2,513,565	A	*	7/1950	Johnson	362/332
3,212,713	A	*	10/1965	Chatten	239/17
3,943,353	A	*	3/1976	Tada	362/404
D482,815	S		11/2003	Rugee		
6,863,423	B2		3/2005	Stone		
D505,512	S		5/2005	Rugee		
D505,513	S	*	5/2005	Rugee	D26/92
6,921,186	B1	*	7/2005	Viskovich	362/404
D508,294	S		8/2005	Rugee		
D509,619	S		9/2005	Rugee		
D521,176	S		5/2006	Rugee		
D533,299	S		12/2006	Rugee		
D536,479	S		2/2007	Rugee		
D538,460	S	*	3/2007	Rugee	D26/84

7,220,027	B2		5/2007	Rugee		
D591,897	S		5/2009	Fuchs		
D592,801	S		5/2009	Rugee		
D604,886	S		11/2009	Rugee		
D605,810	S	*	12/2009	Rugee	D26/84

* cited by examiner

Primary Examiner—Clare E Heflin

(74) *Attorney, Agent, or Firm*—Heslin Rothenberg Farley & Mesiti P.C.

(57) **CLAIM**

The ornamental design for a lighting fixture, as shown and described.

DESCRIPTION

FIG. 1 is an isometric view of a lighting fixture in accordance with the new design configured as a pendant;

FIG. 2 is a front elevational view thereof;

FIG. 3 is a bottom view thereof;

FIG. 4 is a top view thereof;

FIG. 5 is an isometric view of another embodiment of the lighting fixture in accordance with the new design configured as a wall sconce;

FIG. 6 is a front elevational view thereof;

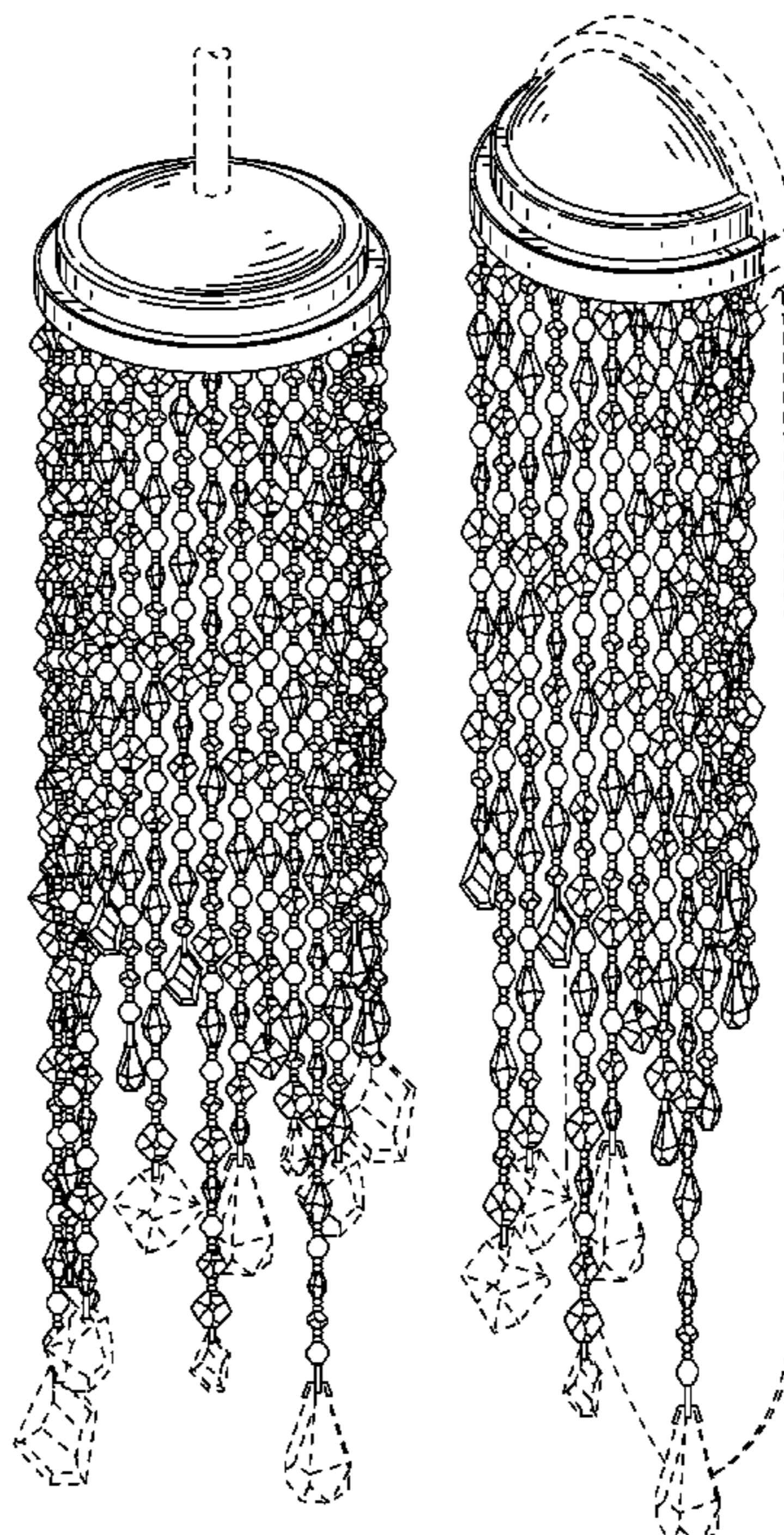
FIG. 7 is a right side elevational view thereof;

FIG. 8 is a bottom view thereof; and,

FIG. 9 is a top view thereof.

The broken lines in the figures are for illustration purposes only and form no part of the claimed invention.

1 Claim, 7 Drawing Sheets



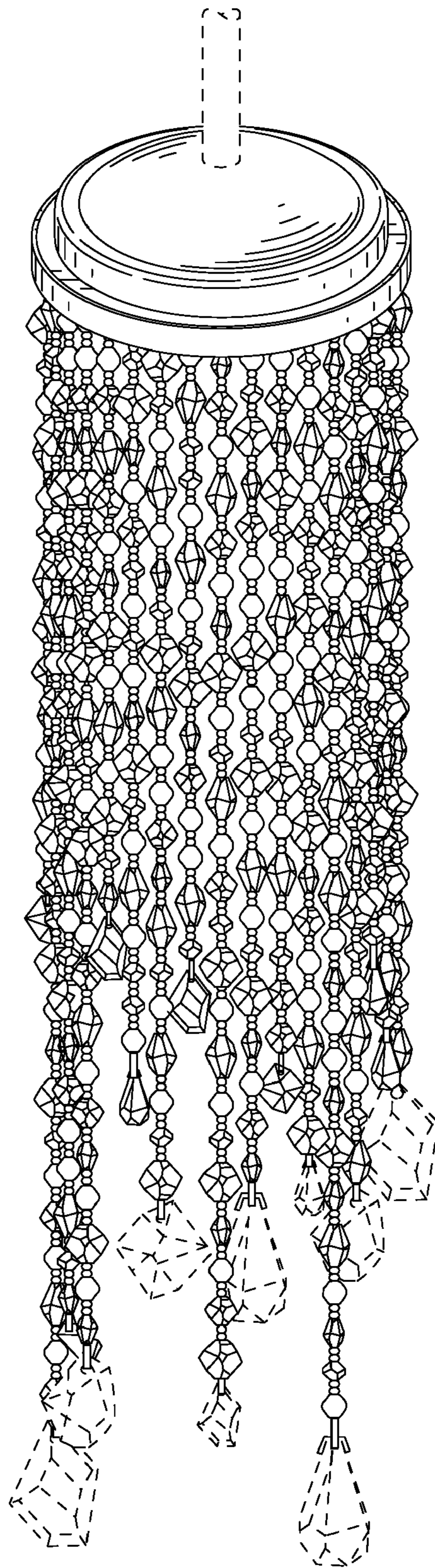


FIG. 1

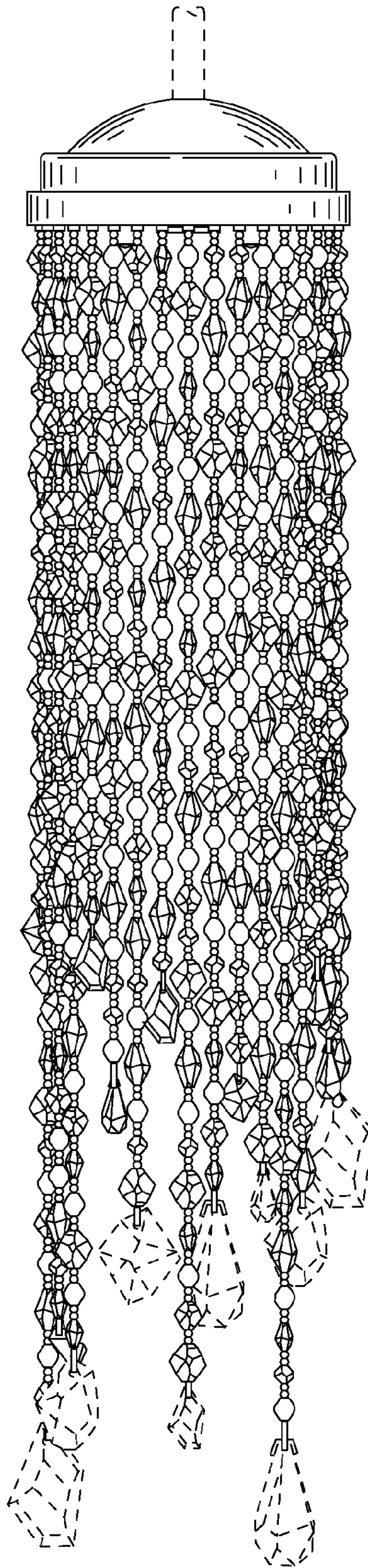


FIG. 2

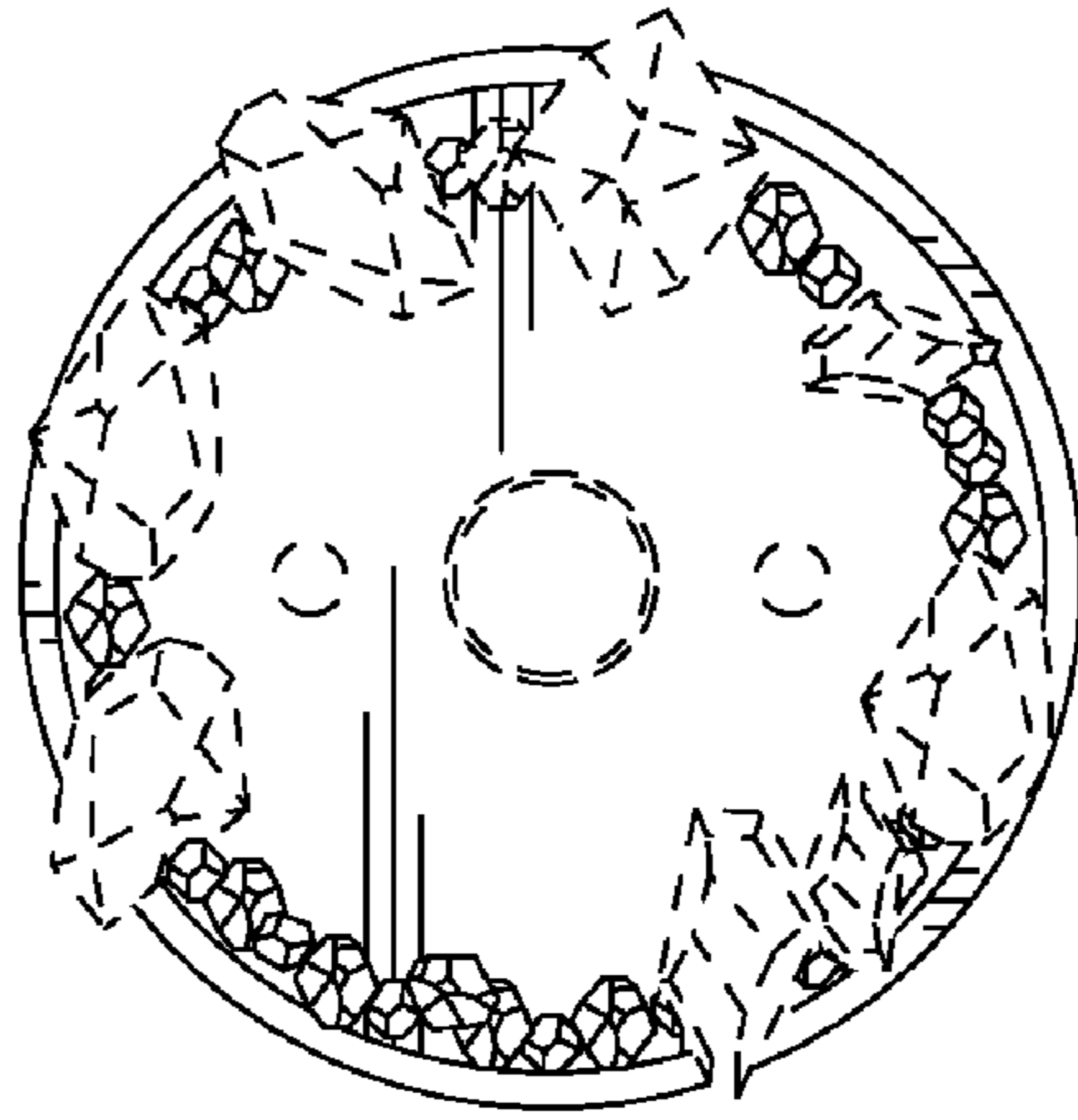


FIG. 3

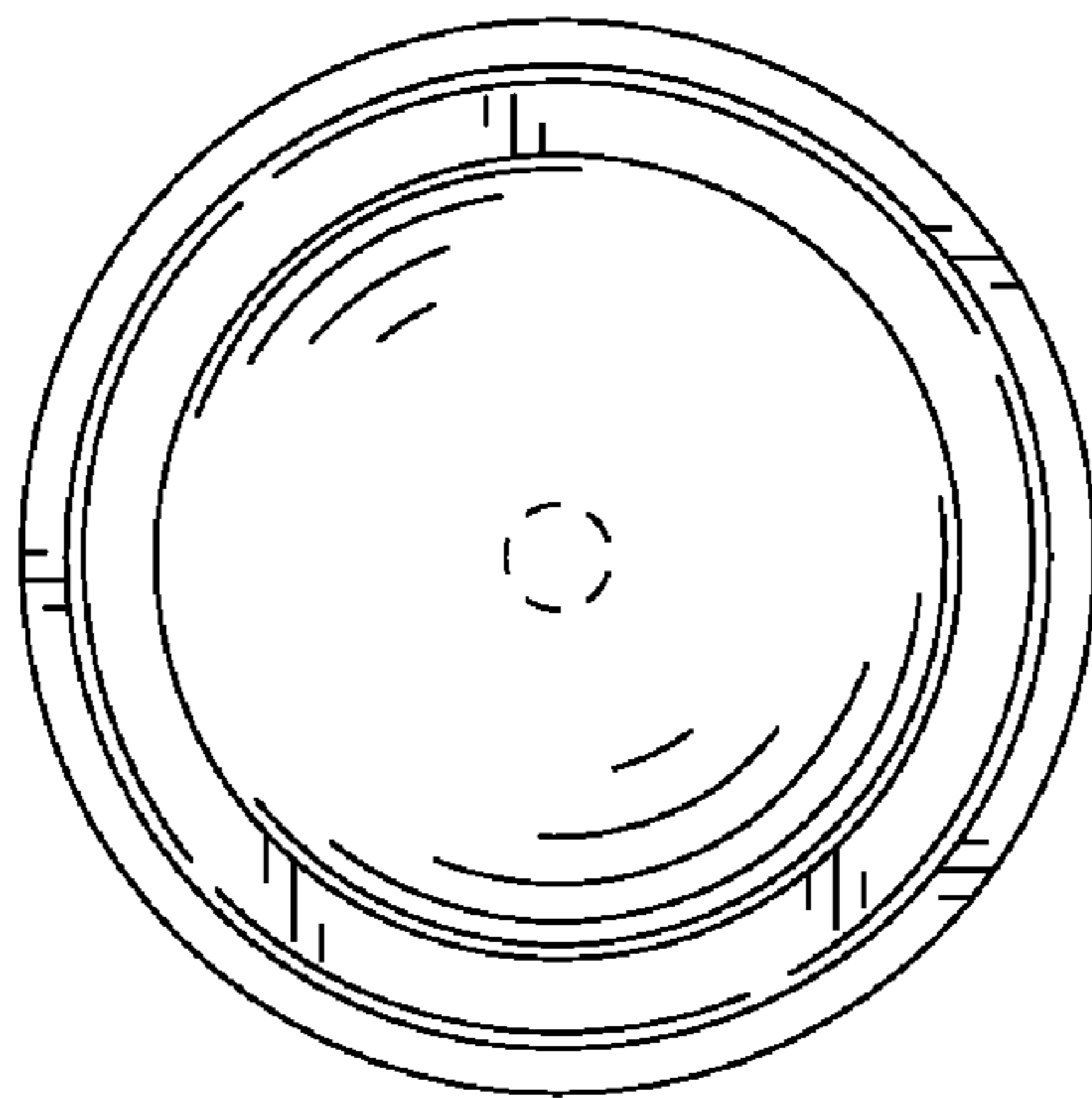


FIG. 4

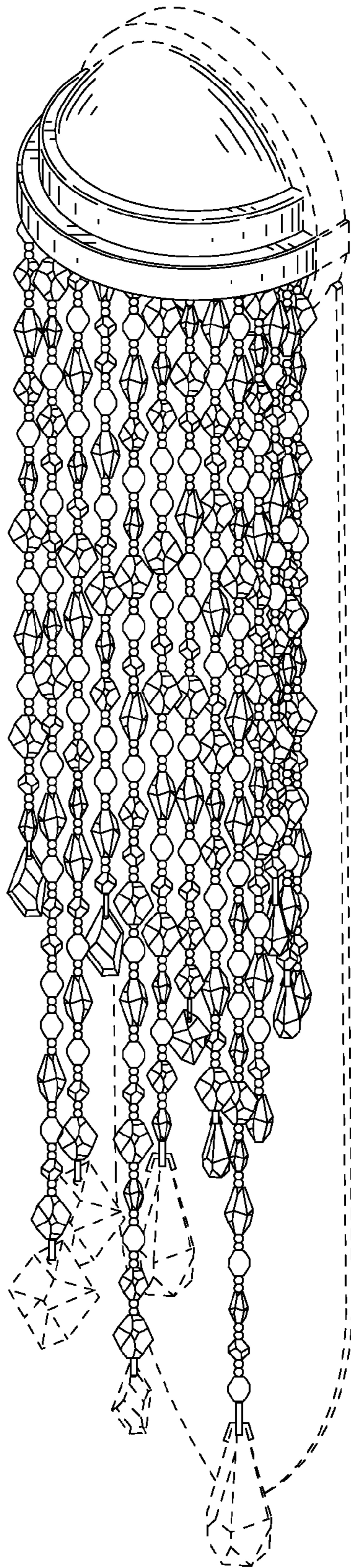


FIG. 5

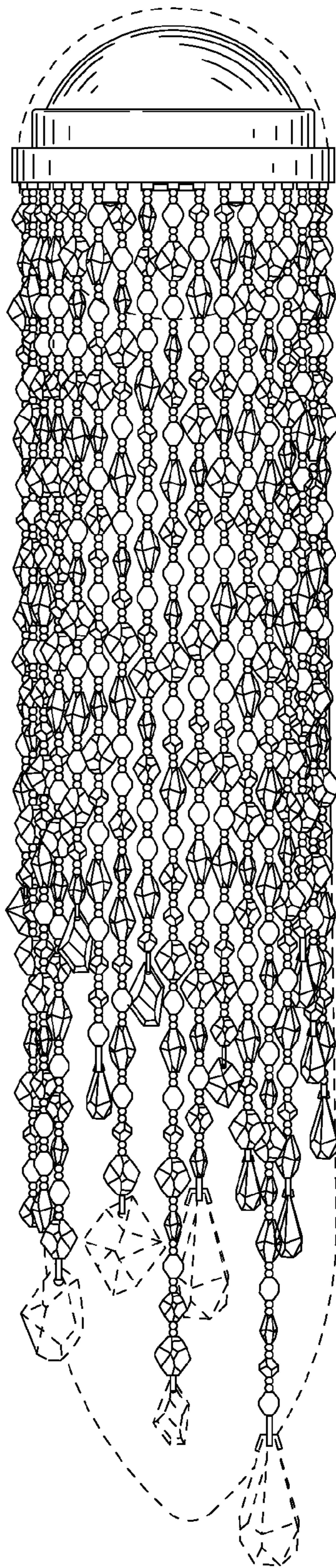


FIG. 6

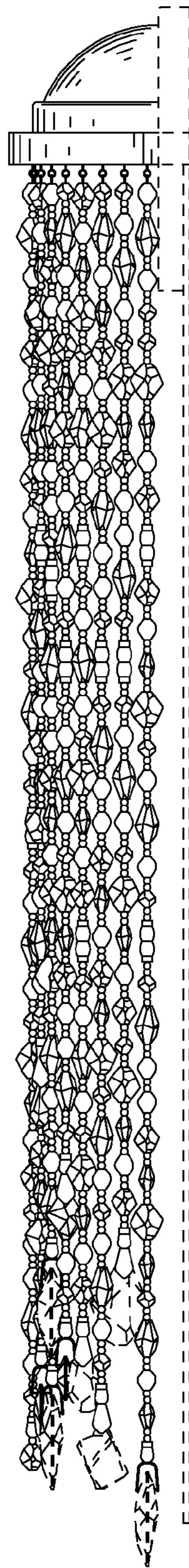


FIG. 7

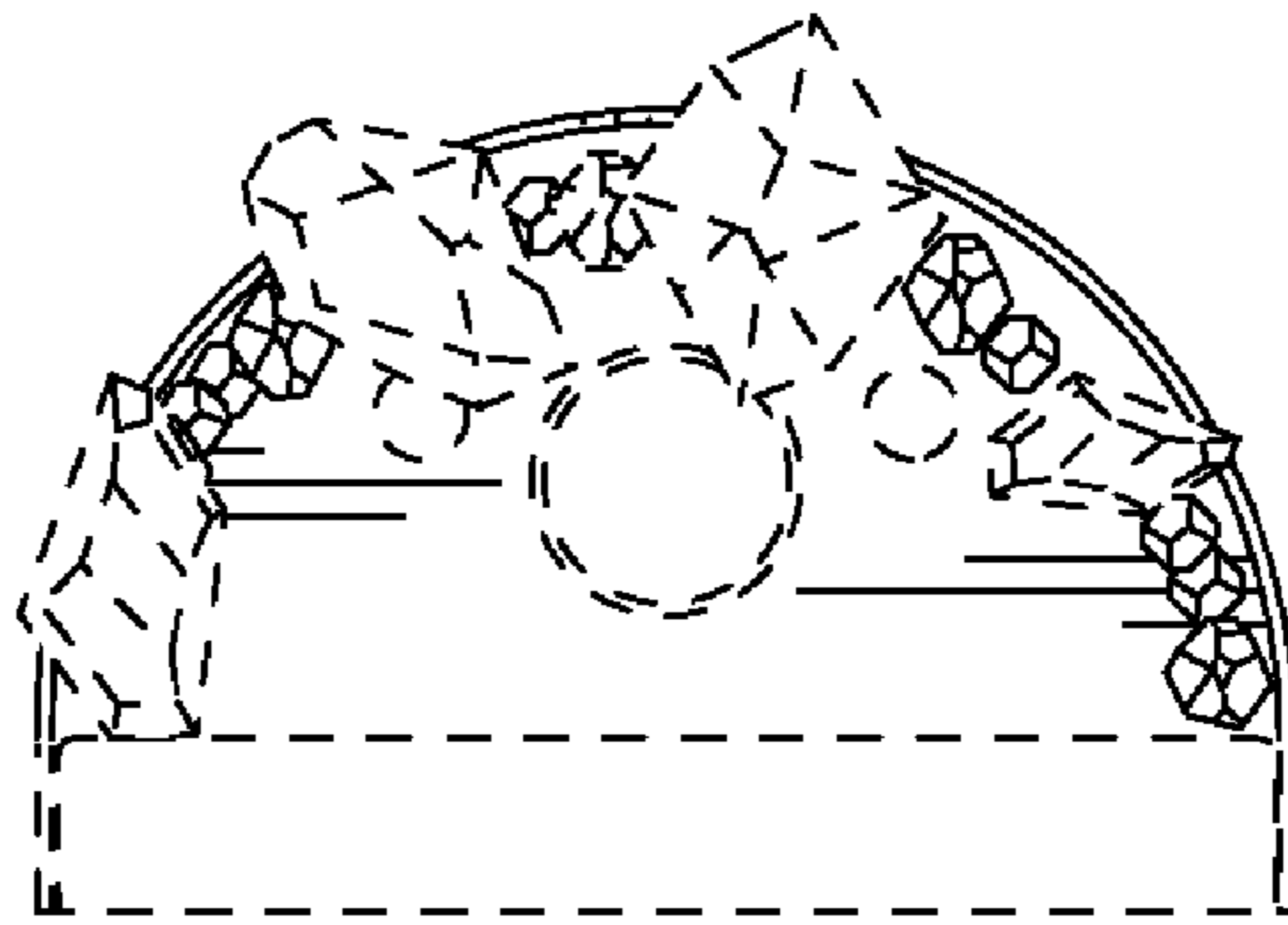


FIG. 8

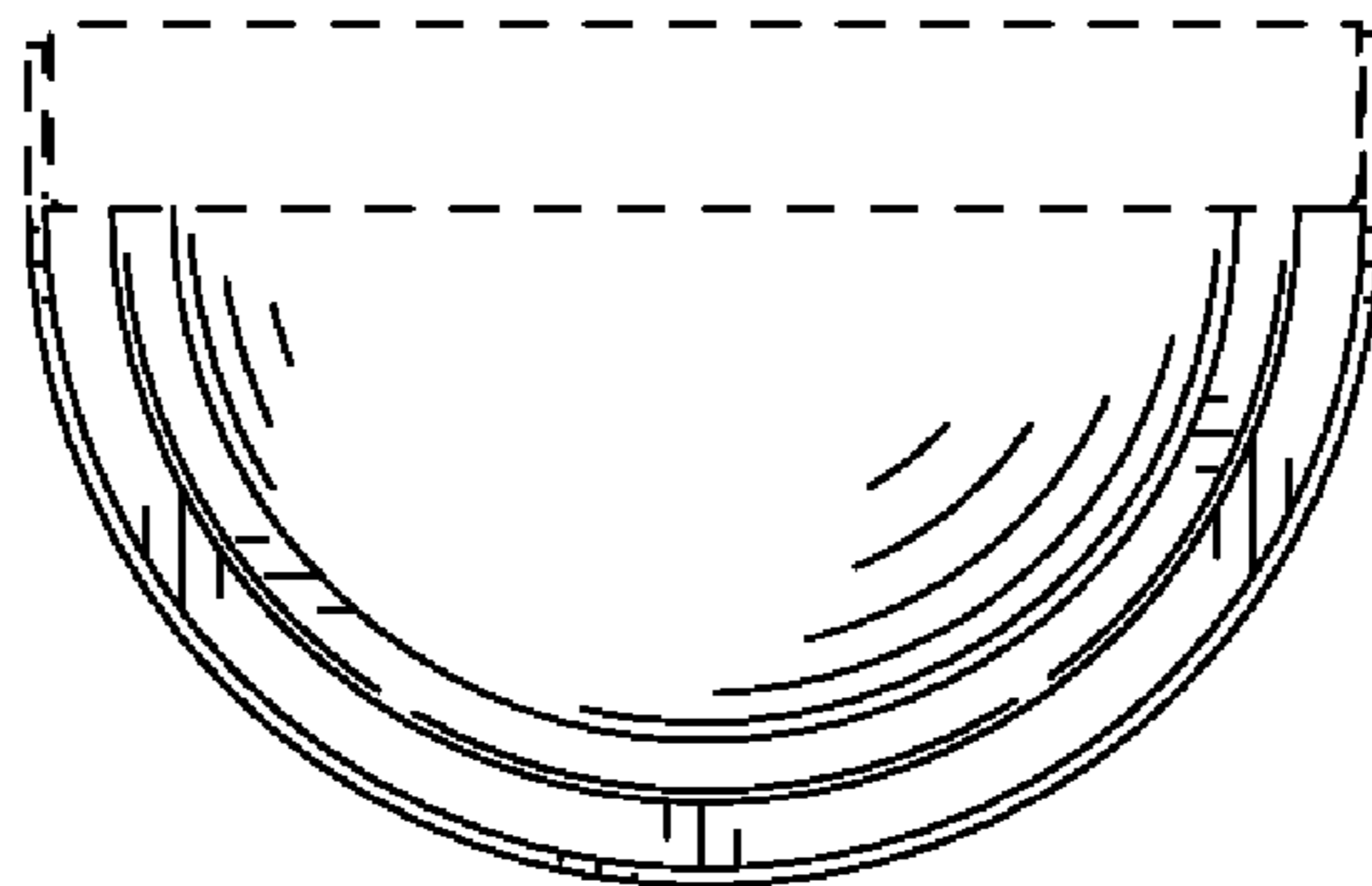


FIG. 9