



US00D622436S

(12) **United States Design Patent**
Whittier et al.

(10) **Patent No.:** **US D622,436 S**

(45) **Date of Patent:** **** Aug. 24, 2010**

(54) **LIGHTING FIXTURE**

(75) Inventors: **Michael A. Whittier**, Minneapolis, MN (US); **Jeremy A. Clark**, Minneapolis, MN (US); **David Cheney**, St. Paul, MN (US)

(73) Assignee: **Target Brands, Inc.**, Minneapolis, MN (US)

(**) Term: **14 Years**

(21) Appl. No.: **29/357,726**

(22) Filed: **Mar. 16, 2010**

(51) **LOC (9) Cl.** **26-03**

(52) **U.S. Cl.** **D26/88; D26/118**

(58) **Field of Classification Search** D26/85-91,
D26/118, 128; 362/147, 351, 356, 404-408,
362/432

See application file for complete search history.

(56) **References Cited**

U.S. PATENT DOCUMENTS

1,354,262	A *	9/1920	Mathieu	362/355
2,195,154	A *	3/1940	Scott	362/225
D129,362	S *	9/1941	Pieper	D26/88
3,984,931	A	10/1976	Belokin, Jr.		
D281,790	S	12/1985	Cobbe		
4,776,121	A	10/1988	Vicino		
4,856,216	A	8/1989	Gross		
D306,352	S *	2/1990	Glassman	D26/91
5,282,331	A	2/1994	Fell		
5,575,098	A	11/1996	Goettel-Schwartz		
5,649,379	A	7/1997	Hoffman et al.		
6,269,570	B1	8/2001	Miles		
6,341,441	B1	1/2002	Morales		
D456,550	S *	4/2002	Clodagh	D26/85
6,467,209	B1	10/2002	Vickers		
6,786,621	B2	9/2004	Sviland		

D561,928	S *	2/2008	Silver	D26/88
7,377,061	B2	5/2008	Whittier et al.		
D571,948	S *	6/2008	Chen	D26/118
D585,584	S *	1/2009	Sabernig	D26/88
D595,891	S *	7/2009	Sabernig	D26/90
D596,337	S *	7/2009	Sabernig	D26/88
2006/0165529	A1	7/2006	Sobel		
2008/0130297	A1 *	6/2008	Hui	362/352

FOREIGN PATENT DOCUMENTS

WO WO2007/148962 12/2007

* cited by examiner

Primary Examiner—Clare E Heflin

(74) *Attorney, Agent, or Firm*—Fish & Richardson P.C.

(57) **CLAIM**

The ornamental design for a lighting fixture, substantially as shown and described.

DESCRIPTION

FIG. 1 is a perspective view of a lighting fixture.

FIG. 2 is a front elevation view of the lighting fixture of FIG. 1.

FIG. 3 is a rear elevation view of the lighting fixture of FIG. 1.

FIG. 4 is a left elevation view of the lighting fixture of FIG. 1.

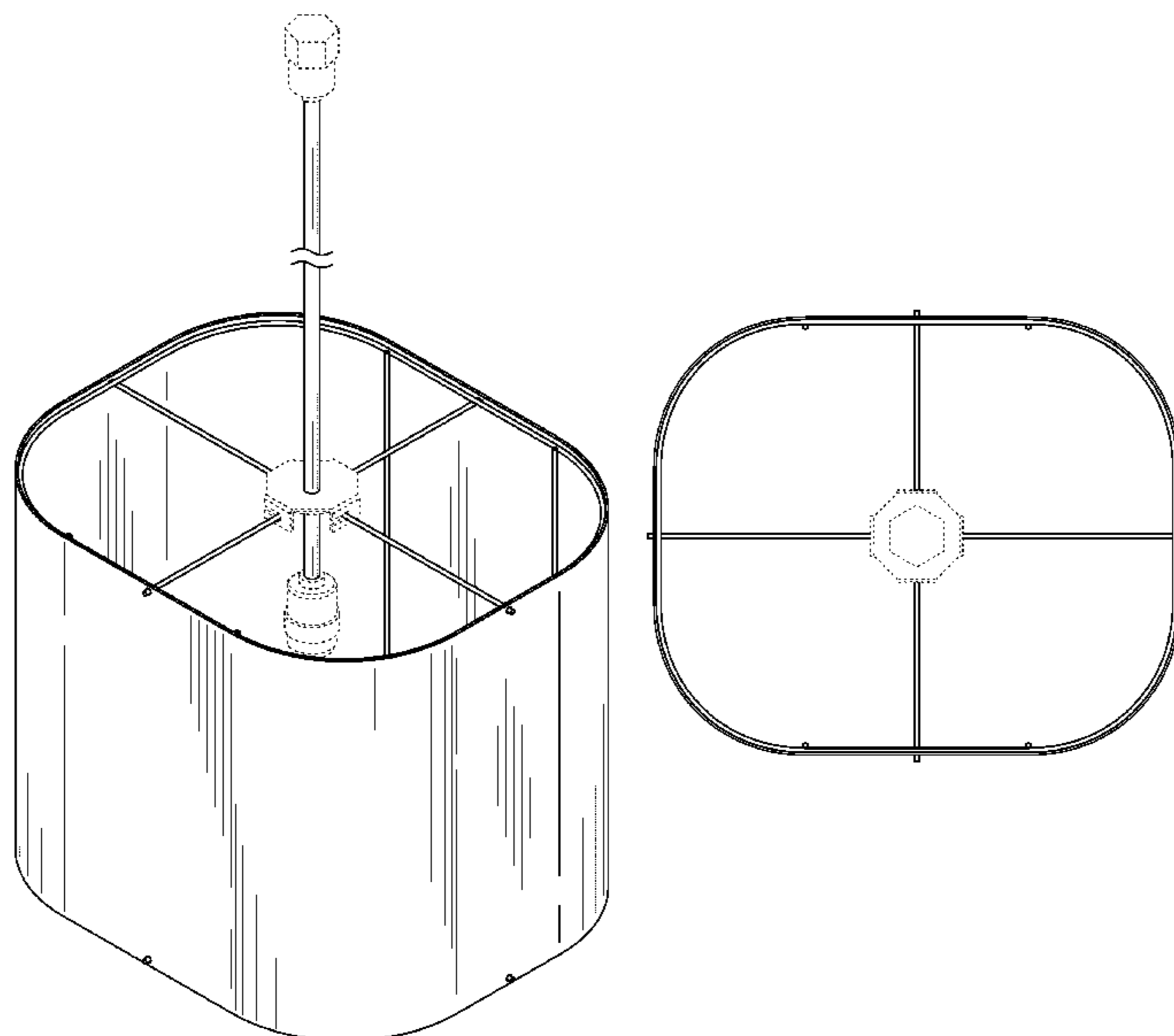
FIG. 5 is a right elevation view of the lighting fixture of FIG. 1.

FIG. 6 is a top plan view of the lighting fixture of FIG. 1; and, FIG. 7 is a bottom plan view of the lighting fixture of FIG. 1.

The suspension rod is shown broken-away to depict indeterminate length.

The broken lines are included for illustrative purposes only and form no part of the claimed design.

1 Claim, 5 Drawing Sheets



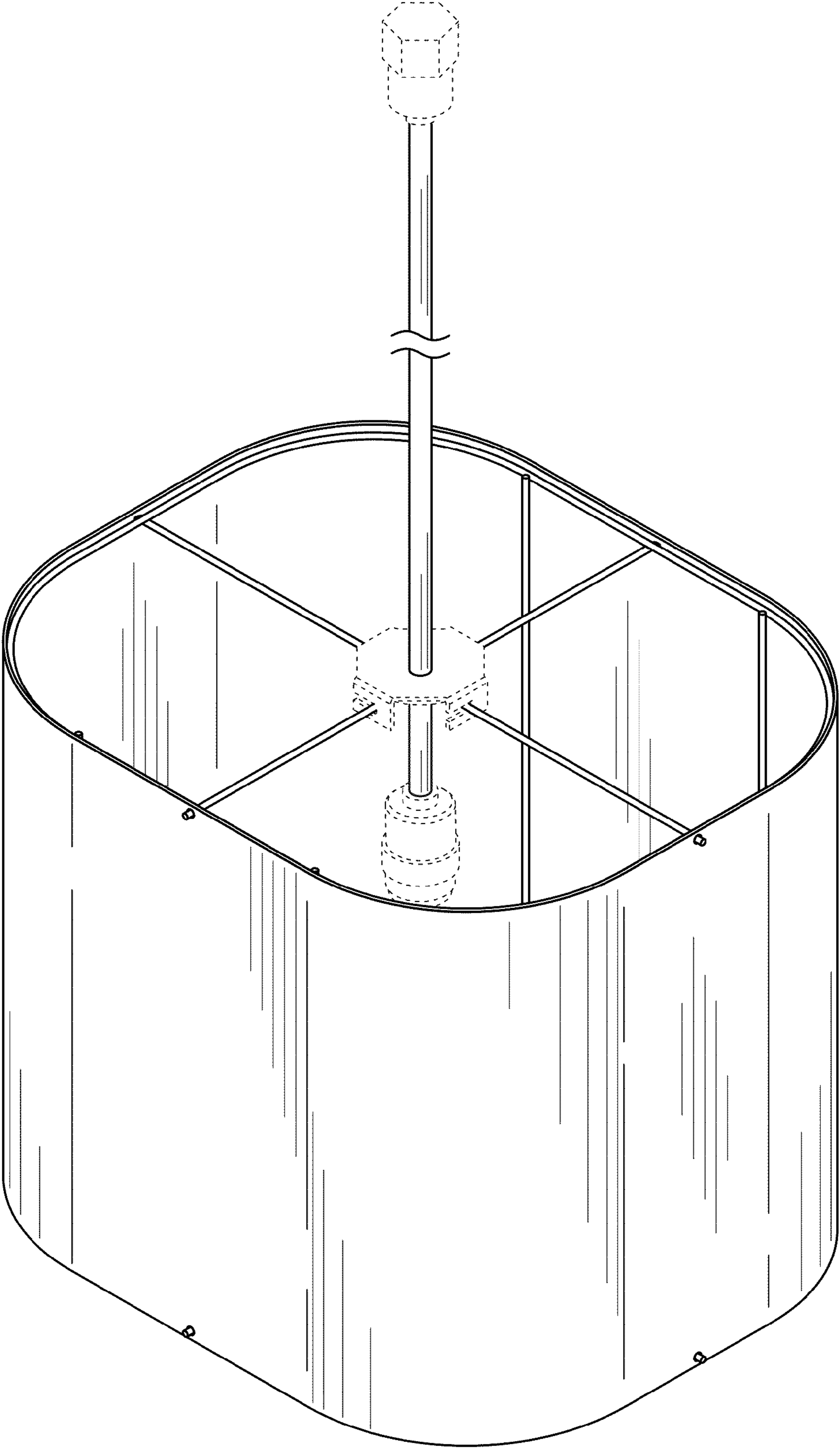


FIG. 1

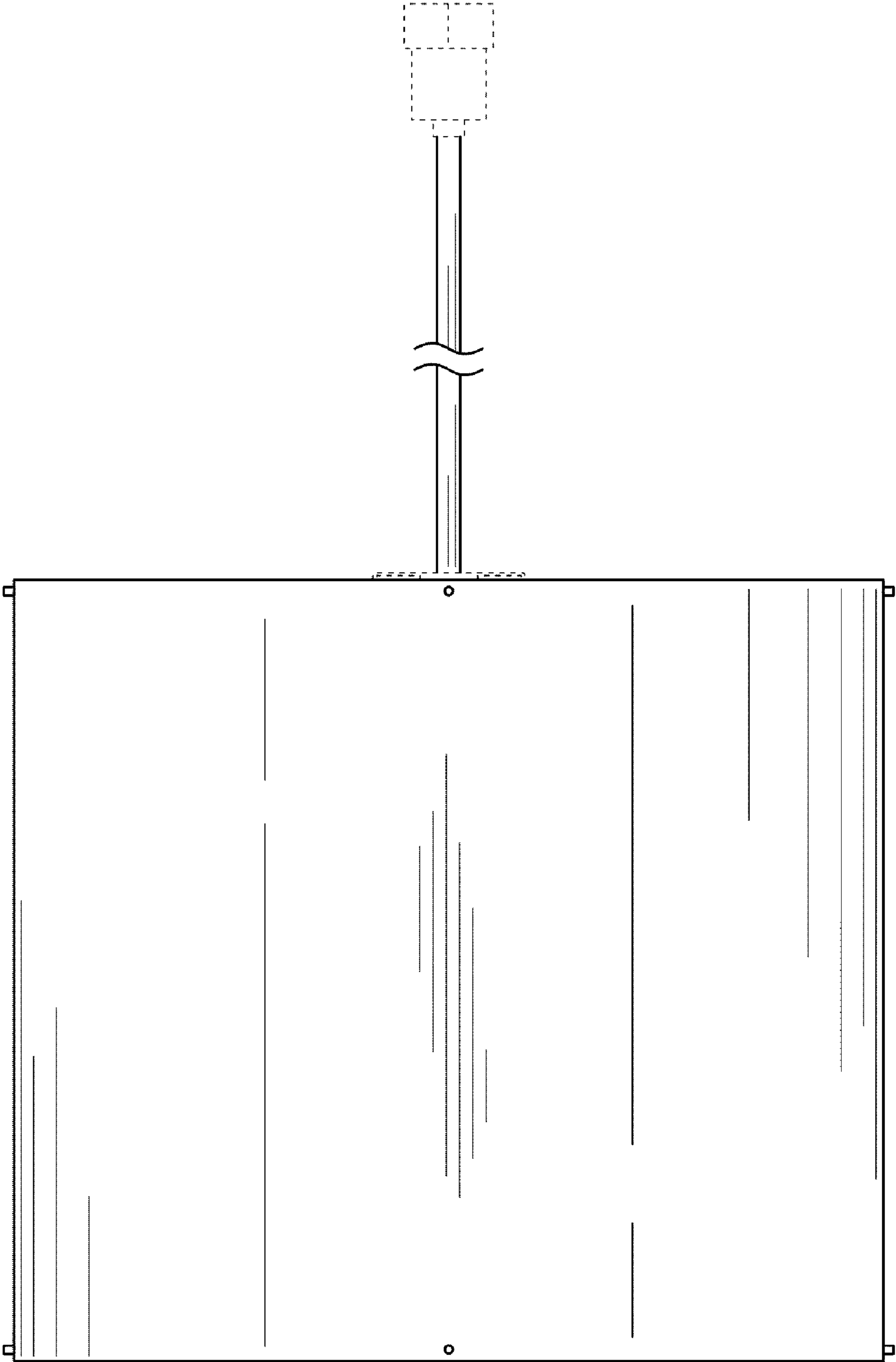


FIG. 2

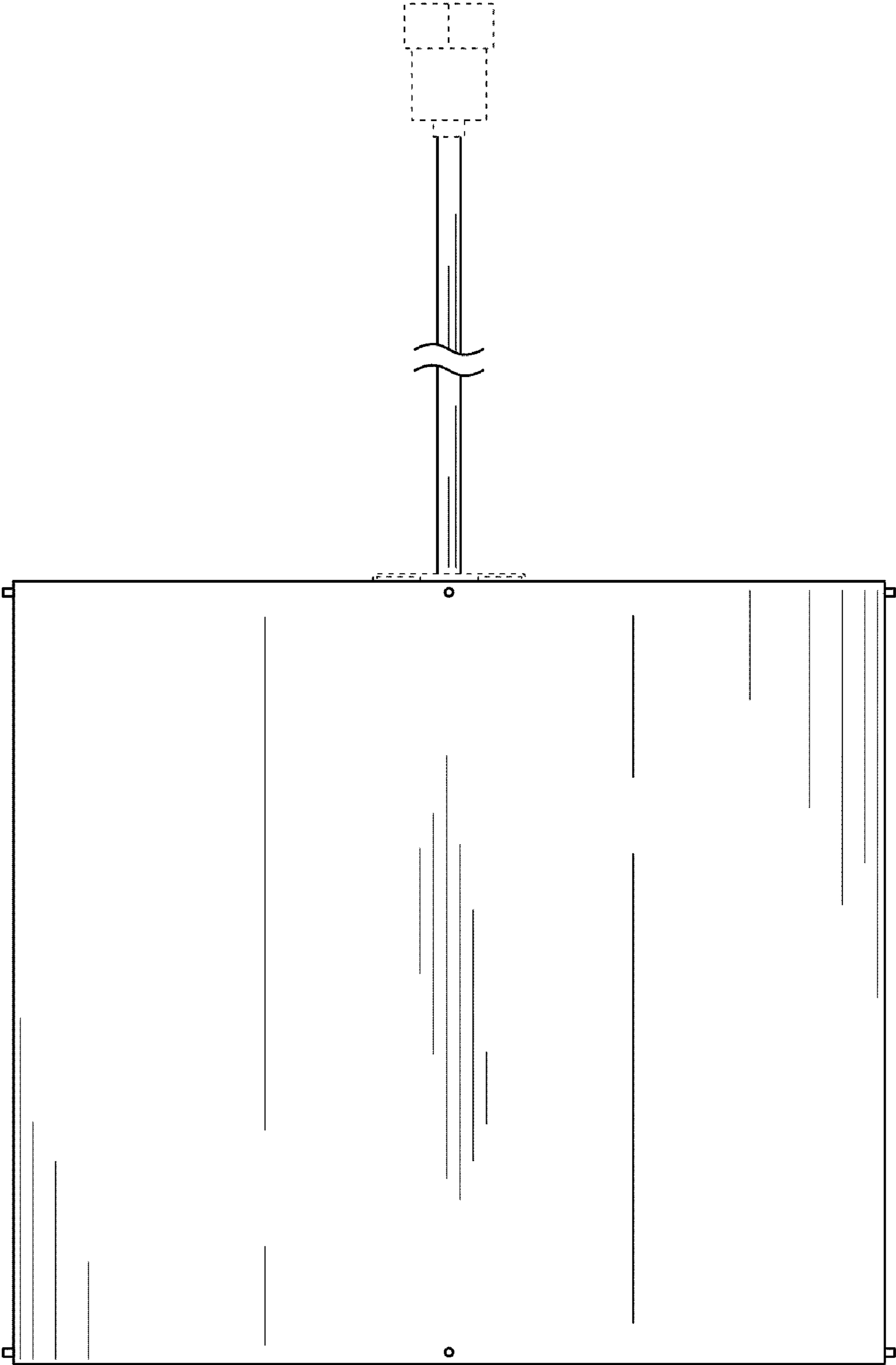


FIG. 3

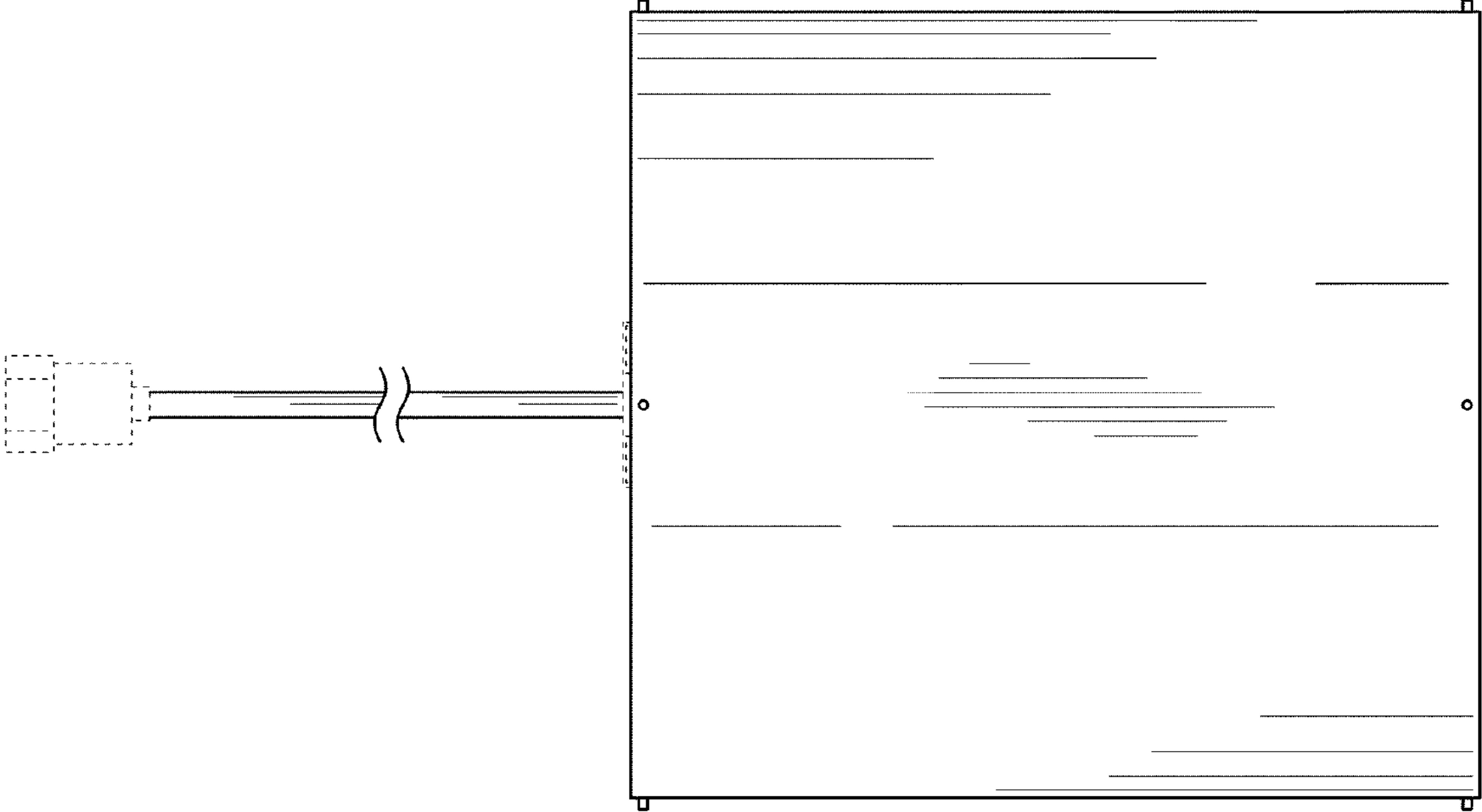


FIG. 4

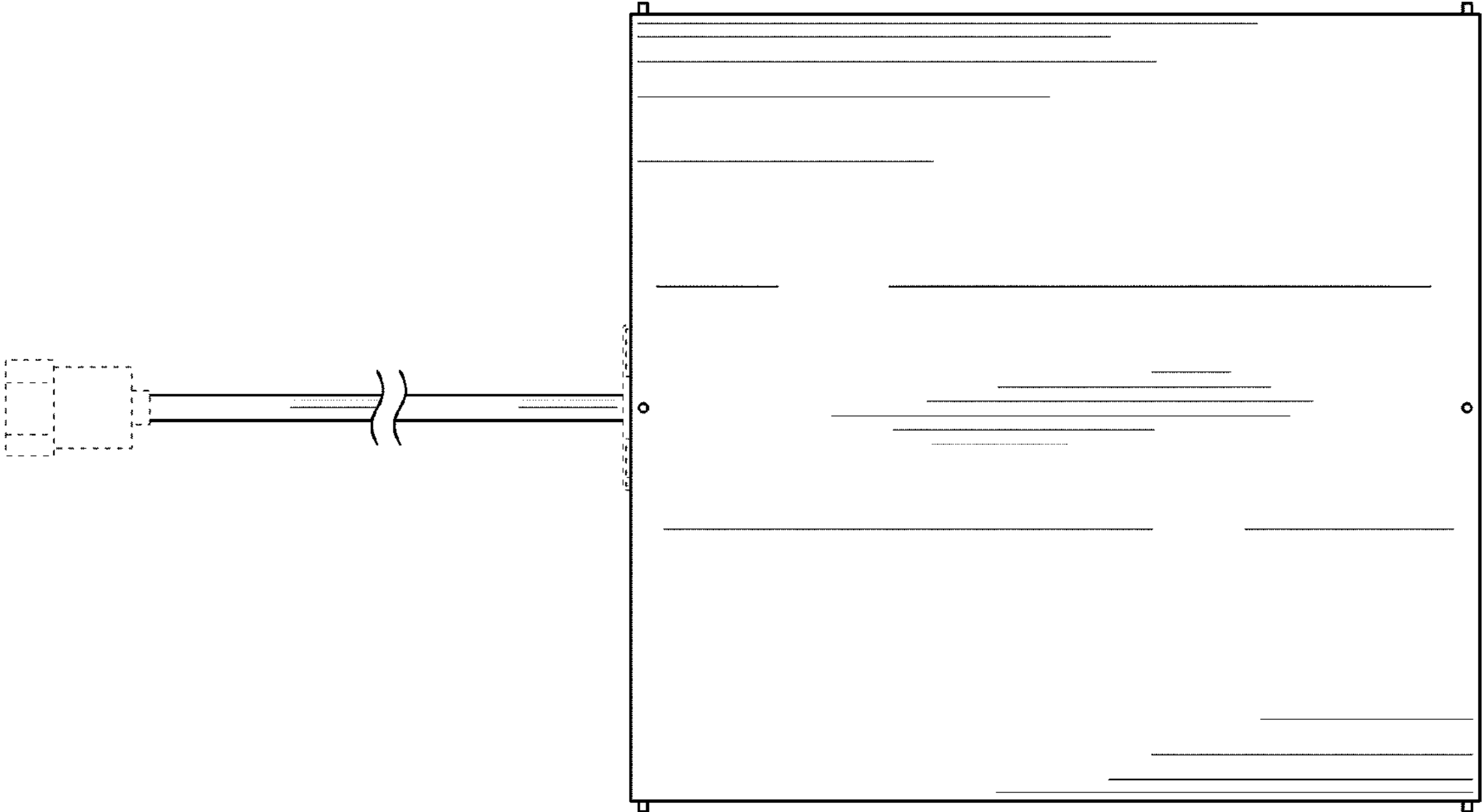


FIG. 5

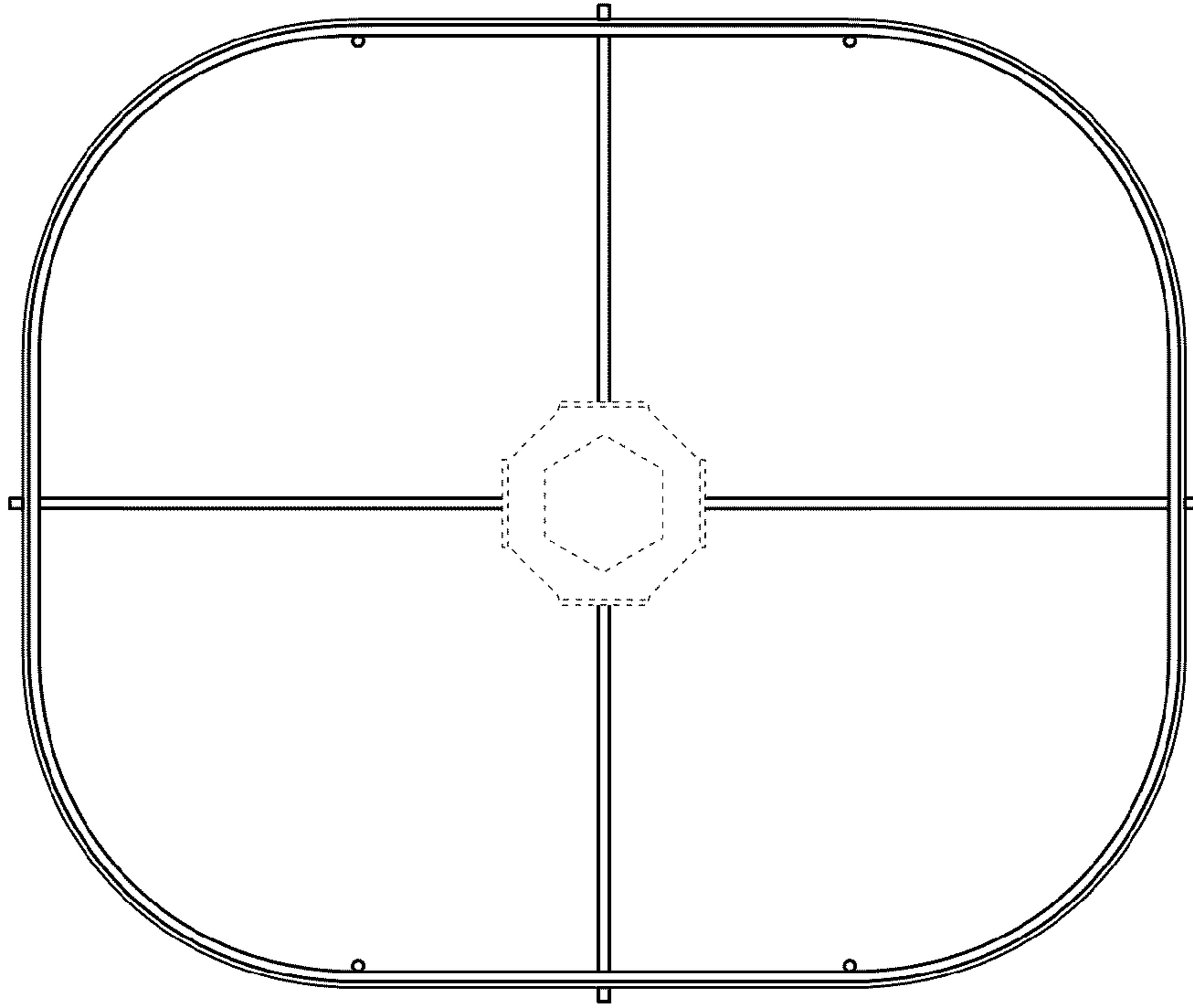


FIG. 6

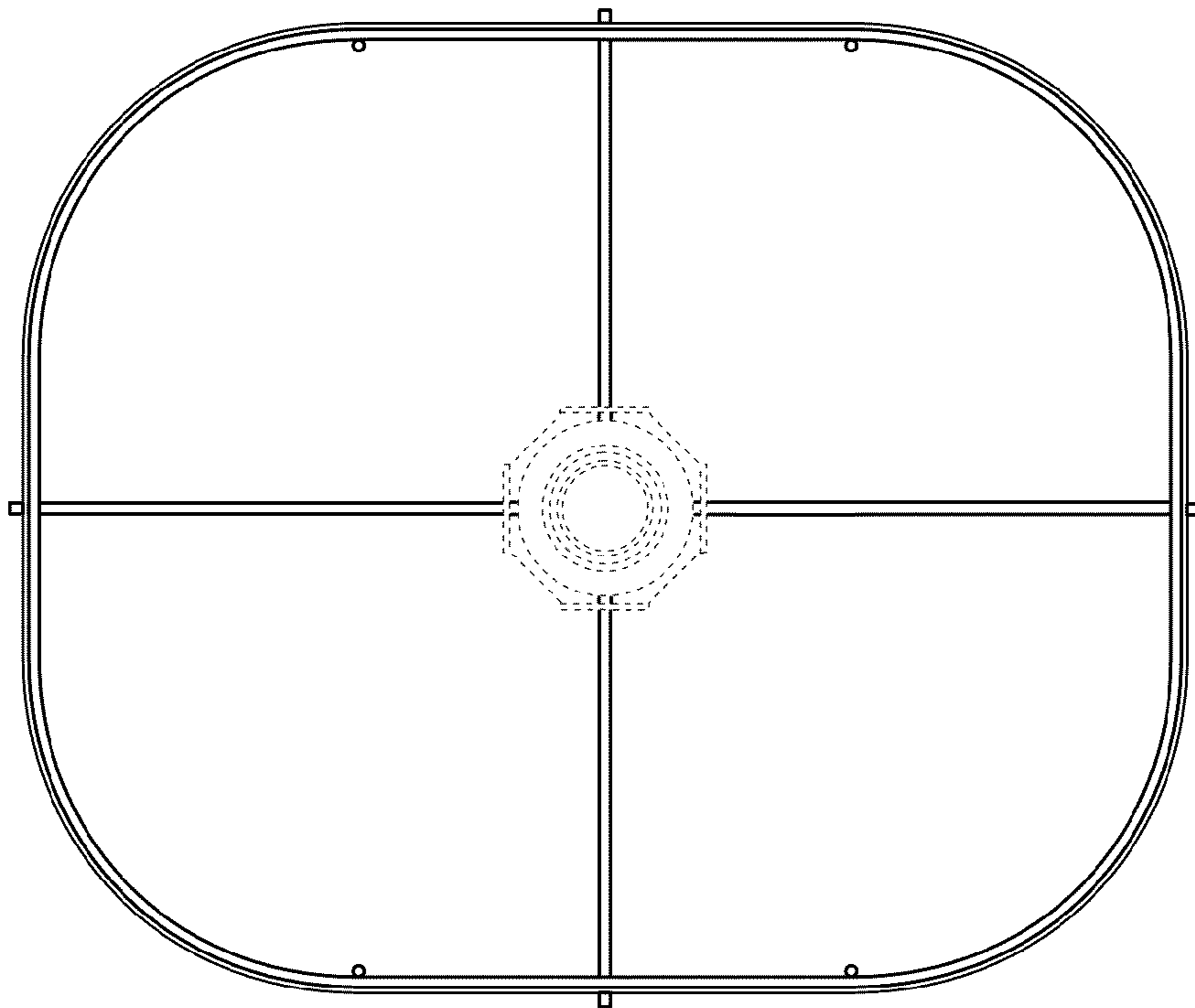


FIG. 7