



US00D622434S

(12) **United States Design Patent**
Ward et al.

(10) **Patent No.:** **US D622,434 S**

(45) **Date of Patent:** **** Aug. 24, 2010**

(54) **LIGHT FIXTURE**

(75) Inventors: **Patrick Ward**, San Antonio, TX (US);
Ben Schilling, San Antonio, TX (US);
Kevin Wilson, San Antonio, TX (US)

(73) Assignee: **Lucifer Lighting Company**, San Antonio, TX (US)

(**) Term: **14 Years**

(21) Appl. No.: **29/339,188**

(22) Filed: **Jun. 25, 2009**

Related U.S. Application Data

(63) Continuation of application No. 12/069,609, filed on Feb. 12, 2008, now abandoned.

(51) **LOC (9) Cl.** **26-05**

(52) **U.S. Cl.** **D26/74**

(58) **Field of Classification Search** D26/72,
D26/74-78, 118, 120-122; 362/132-133,
362/147-148, 150, 238, 249.05, 249.06,
362/260, 262-264, 800, 364
See application file for complete search history.

(56) **References Cited**

U.S. PATENT DOCUMENTS

2,878,425	A *	3/1959	Kudoh	315/284
3,453,425	A *	7/1969	Whitaker	362/216
3,591,792	A *	7/1971	Soltan	362/144
D288,007	S *	1/1987	Jonas et al.	D26/51
D331,638	S *	12/1992	Vamberszky et al.	D26/118
D380,852	S *	7/1997	Lecluze	D26/118
D383,564	S *	9/1997	Lecluze	D26/118
6,116,753	A *	9/2000	Tsang	362/253
D474,299	S *	5/2003	Lecluze	D26/74
6,641,283	B1	11/2003	Bohler	362/238
D488,251	S *	4/2004	Benghozi	D26/118

D490,183	S *	5/2004	Benensohn	D26/89
D548,390	S *	8/2007	Lecluze	D26/138
D549,385	S *	8/2007	Lissoni	D26/89
7,390,104	B2 *	6/2008	Coushaine	362/184
7,614,762	B2 *	11/2009	Tseng	362/150
2004/0114363	A1 *	6/2004	Crunk	362/222
2007/0041220	A1 *	2/2007	Lynch	362/646
2007/0274070	A1 *	11/2007	Wedell	362/244
2008/0192489	A1 *	8/2008	Ward	362/364

OTHER PUBLICATIONS

“20002L—LED Puck Light (Part 3: 3004460) by Nicor Lighting” available online at http://www.lightinguniverse.com/under-cabinet/1-led-puck-light_3004460.html, accessed Jun. 9, 2009.

“American Lighting LLC LP30KIT-BK—LED Thirty Puck Light Kit,” available online at <http://www.csnstores.com/American-Lighting-LLC-LP30KIT-BK-ALI2216.html>, accessed Jun. 9, 2009.

(Continued)

Primary Examiner—Philip S Hyder

Assistant Examiner—Susan E Krakower

(74) *Attorney, Agent, or Firm*—Fulbright & Jaworski L.L.P.

(57) **CLAIM**

The ornamental designs for light fixture, as shown and described.

DESCRIPTION

FIG. 1 is a front perspective of a light fixture showing our new design;

FIG. 2 is a back perspective thereof;

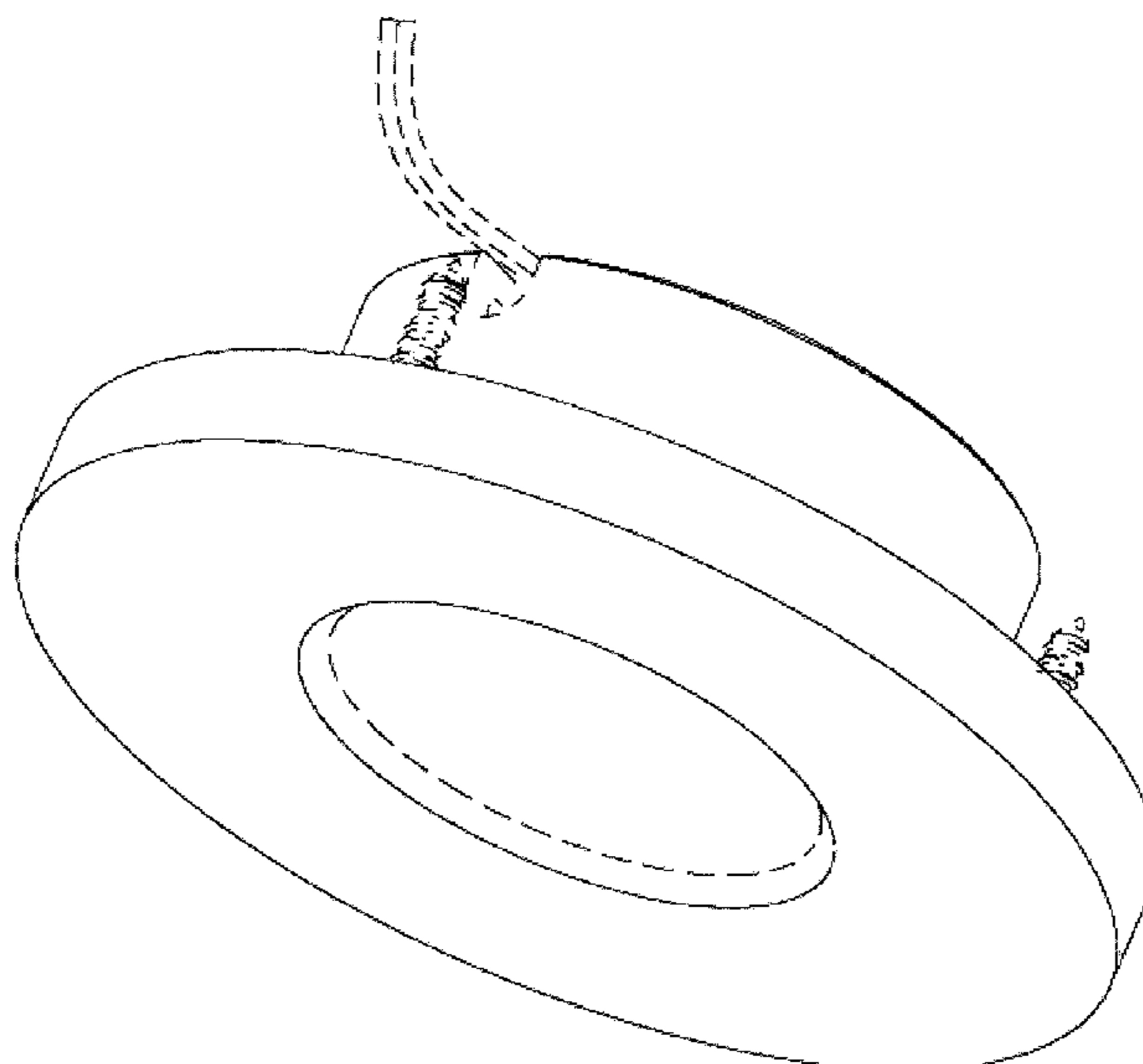
FIG. 3 is a front view thereof;

FIG. 4 is a side view thereof; and,

FIG. 5 is a back view thereof.

The dashed lines in FIGS. 1-5 represent environmental structure and form no part of the claimed design.

1 Claim, 5 Drawing Sheets



OTHER PUBLICATIONS

“LED Puck Light” available online at <http://www.budgetlighting.com/gfx/amltg/pdf2/LED-Puck-Lights-Under-Cabinet-Lighting.pdf>, accessed Jun. 9, 2009.

“LED Super Sleek Puck Lights—Slim LED puck lights are perfect for—Display/ Under Cabinet/ Cove lighting,” available online at <http://www.brodwax.com/LED-pucklights.htm>, accessed Jun. 9, 2009.

“Low Energy LED Under Cabinet Puck Lights from Outwater Plastics Industries,” available online at http://www.http://directory.rvtradedigest.com/product/49132/Outwater_Plastics_Industries_Low_energy_LED_under_cabinet_puck_lights#, accessed Jun. 9, 2009.

“SLP-1 LED Puck Light,” available online at <http://www.theledlight.com/SLP-1-LED-puck-light.html>, accessed Jun. 9, 2009.

“Surface Mount LED55,” by MP Lighting, Specification Sheet, available online at <http://www.mplighting.com>, accessed Jun. 9, 2009.

“Ledra™ 12” by Bruck Lighting Systems, available online at http://www.brucklightingsystems.com/products/ledra/ledra_fixtures/ledraTM_12/print.html, accessed Jun. 17, 2009.

“Ledra™ 32” by Bruck Lighting Systems, available online at http://www.brucklightingsystems.com/products/ledra/ledra_fixtures/ledraTM_32/print.html, accessed Jun. 17, 2009.

* cited by examiner

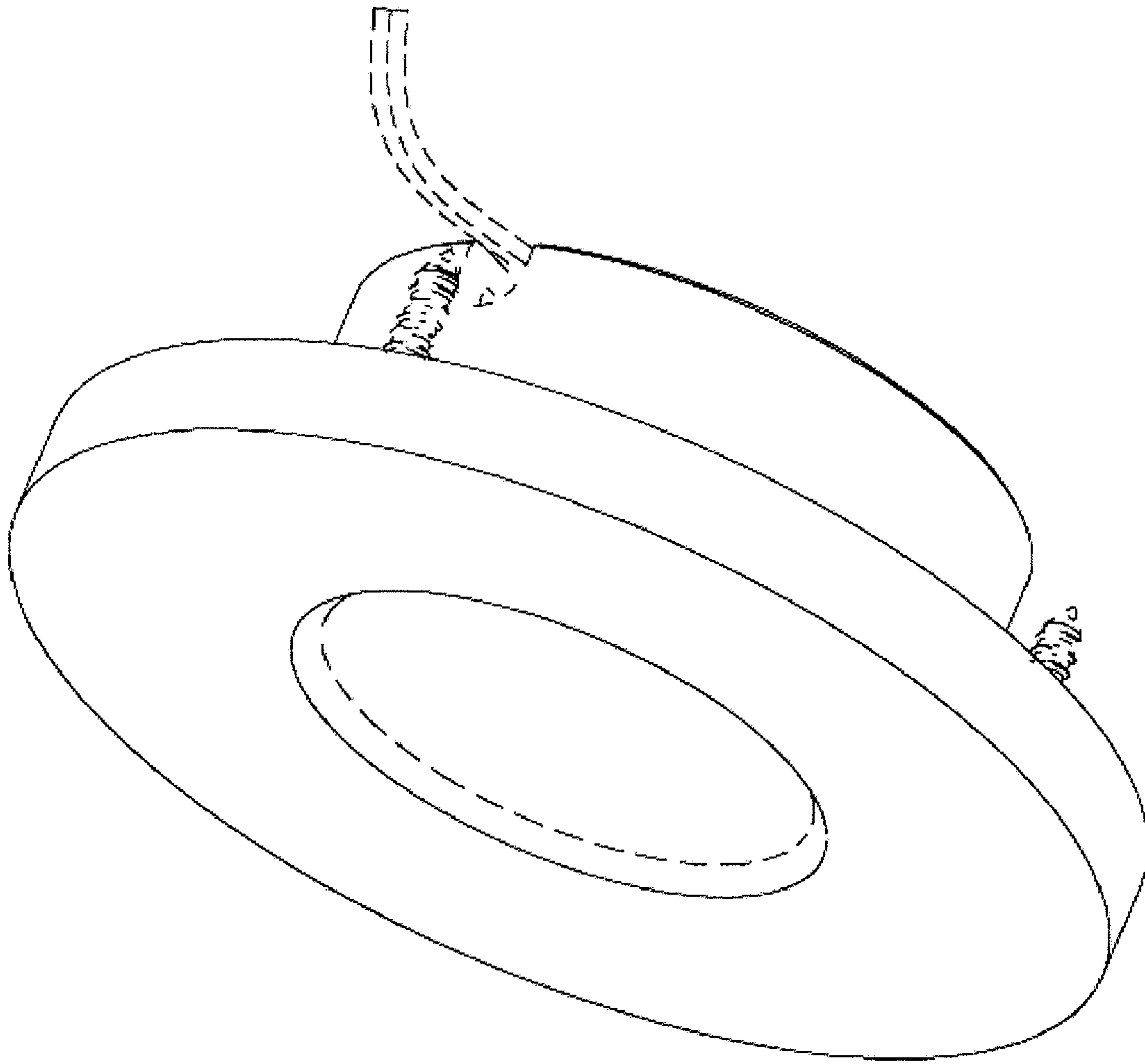


FIG. 1

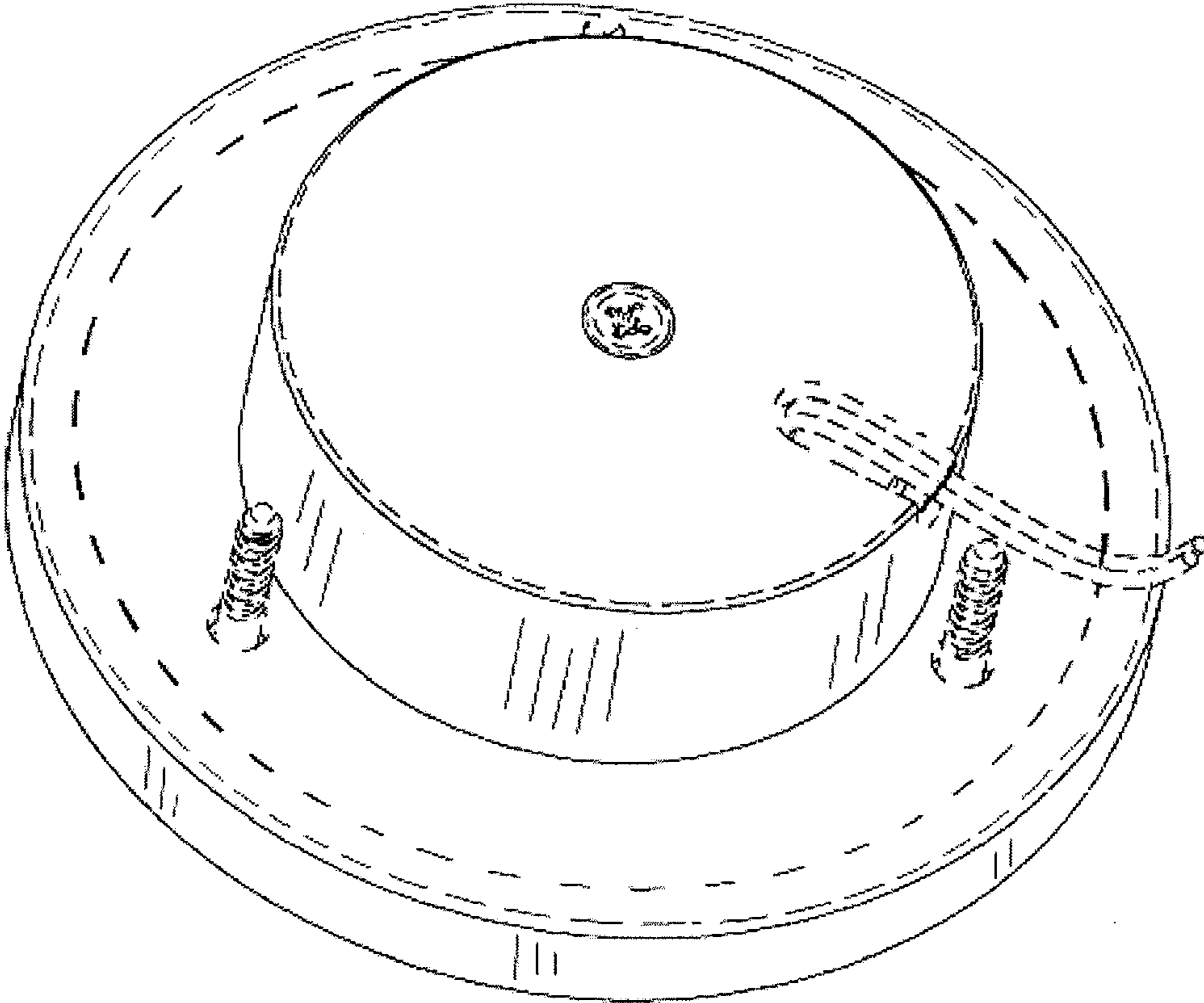


FIG. 2

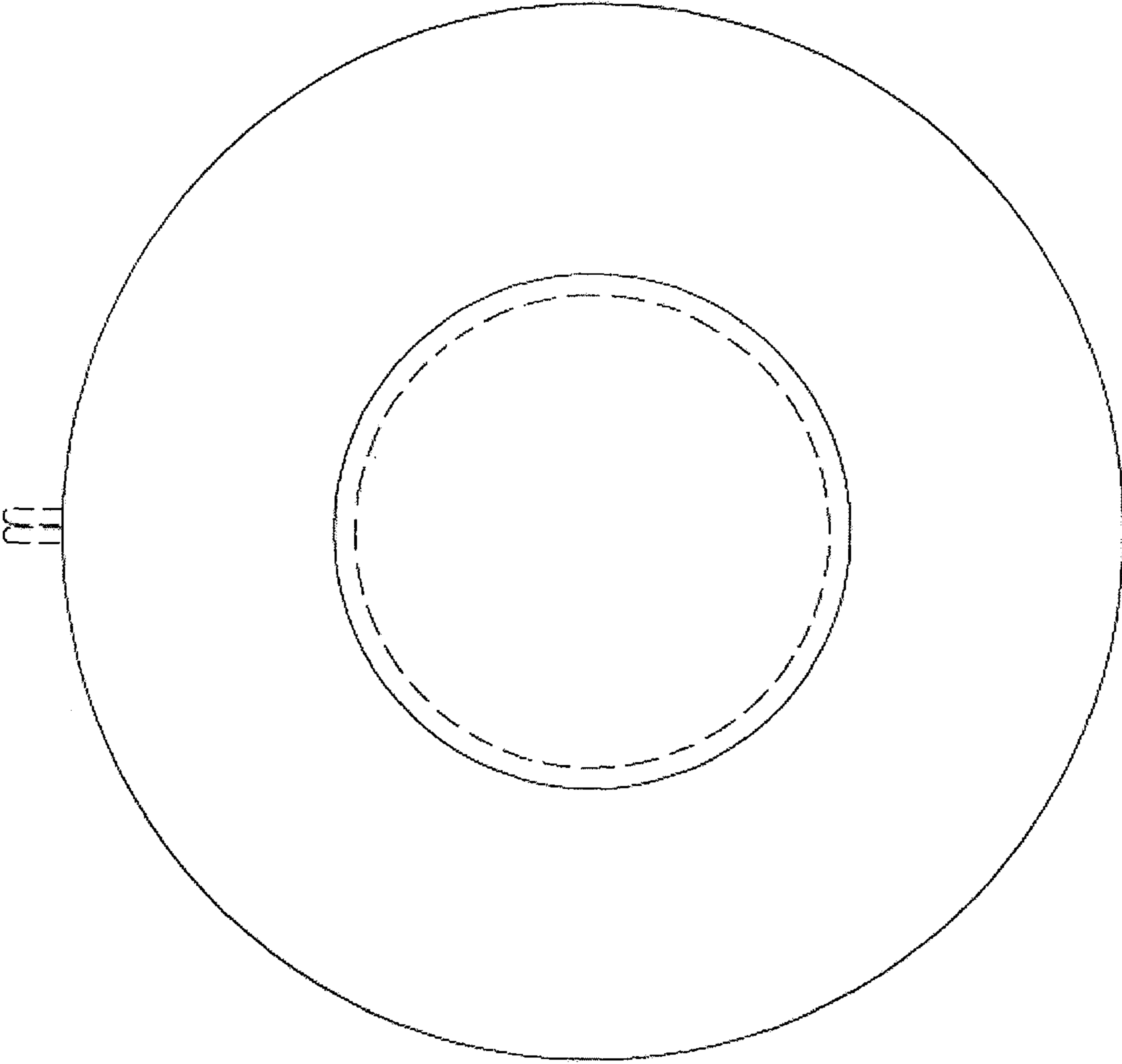


FIG. 3

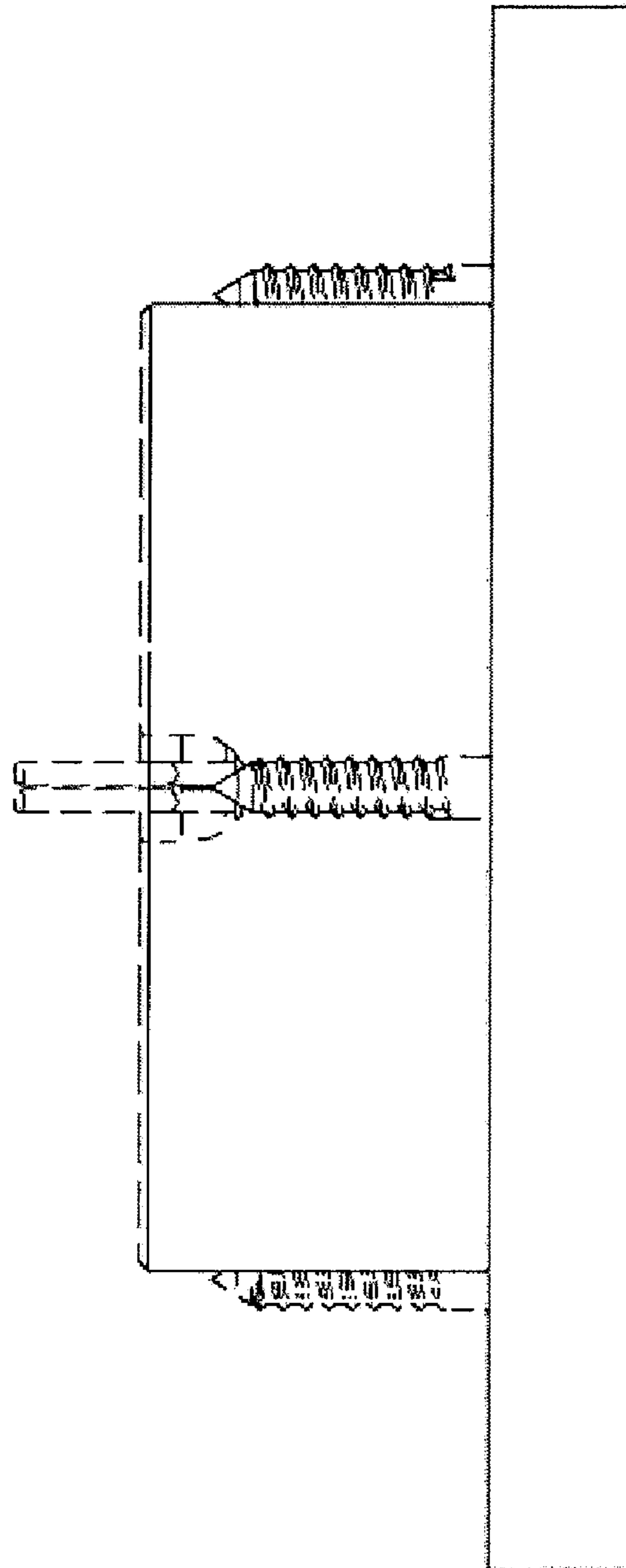


FIG. 4

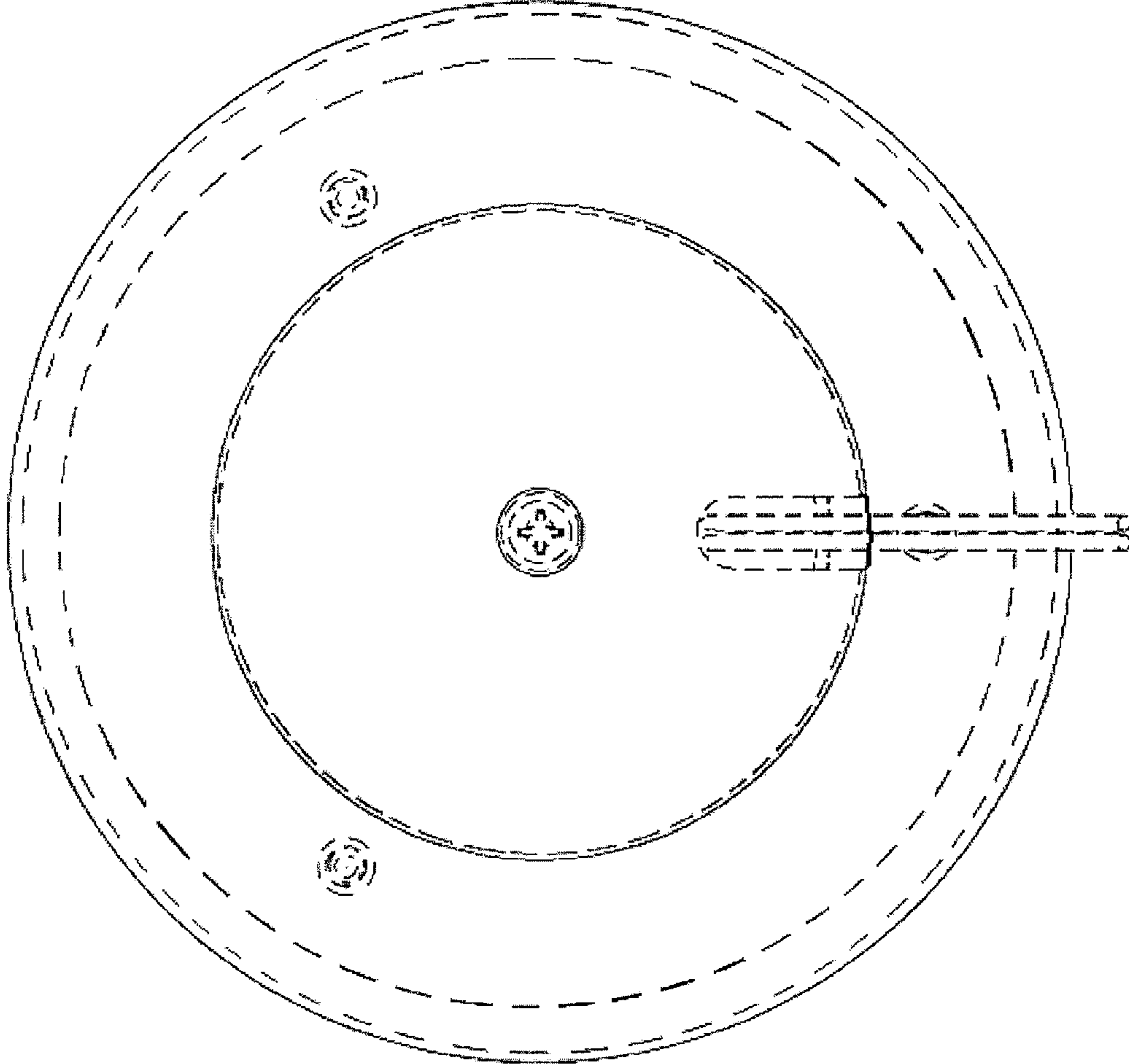


FIG. 5