



US00D622432S

(12) **United States Design Patent**
Yan

(10) **Patent No.:** **US D622,432 S**

(45) **Date of Patent:** **** Aug. 24, 2010**

(54) **STREET LAMP**

(75) Inventor: **Rong-Yih Yan, Miao-Li Hsien (TW)**

(73) Assignee: **Foxsemicon Integrated Technology, Inc., Chu-Nan, Miao-Li Hsien (TW)**

(**) Term: **14 Years**

(21) Appl. No.: **29/353,520**

(22) Filed: **Jan. 11, 2010**

(30) **Foreign Application Priority Data**

Aug. 18, 2009 (CN) 2009 3 0312077

(51) **LOC (9) Cl.** **26-05**

(52) **U.S. Cl.** **D26/69; D26/65**

(58) **Field of Classification Search** D26/61,
D26/63, 65, 67-71, 85, 92; 362/145, 183,
362/249.02, 249.03, 249.04, 249.06, 249.07,
362/249.09, 249.1, 249.16, 231, 431
See application file for complete search history.

(56) **References Cited**

U.S. PATENT DOCUMENTS

D195,310 S * 5/1963 Zagel D26/70
D207,551 S * 5/1967 Spaulding et al. D26/71
7,131,753 B1 * 11/2006 Edwards, Jr. 362/405
D598,598 S * 8/2009 Zhou et al. D26/68
D609,387 S * 2/2010 Compton D26/85
D610,286 S * 2/2010 Kimura D26/71
7,690,813 B2 * 4/2010 Kanamori et al. 362/249.02

2006/0133083 A1 * 6/2006 Gelbert 362/250
2008/0094838 A1 * 4/2008 Russello et al. 362/250
2009/0237927 A1 * 9/2009 Zheng et al. 362/235
2009/0237931 A1 * 9/2009 Liu et al. 362/240
2009/0251898 A1 * 10/2009 Kinnune et al. 362/249.02
2009/0262533 A1 * 10/2009 Liu et al. 362/249.02

* cited by examiner

Primary Examiner—Clare E Heflin

(74) *Attorney, Agent, or Firm*—Raymond J. Chew

(57) **CLAIM**

The ornamental design for a street lamp, as shown and described.

DESCRIPTION

FIG. 1 is a perspective view of a street lamp in one operational state.

FIG. 2 is a front elevational view thereof.

FIG. 3 is a rear elevational view thereof.

FIG. 4 is a left-side, elevational view thereof.

FIG. 5 is a right-side, elevational view thereof.

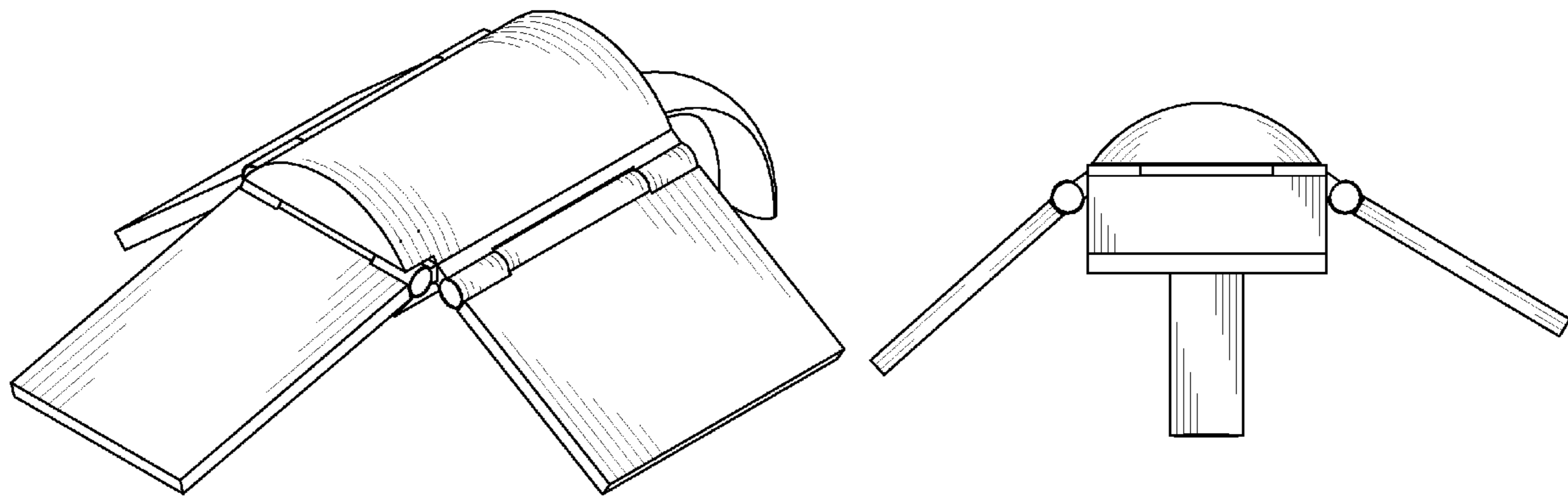
FIG. 6 is a top plan view thereof.

FIG. 7 is a bottom plan view thereof.

FIG. 8 is a perspective view of the street lamp in another operational state; and,

FIG. 9 is a perspective view of the street lamp in still another operational state.

1 Claim, 9 Drawing Sheets



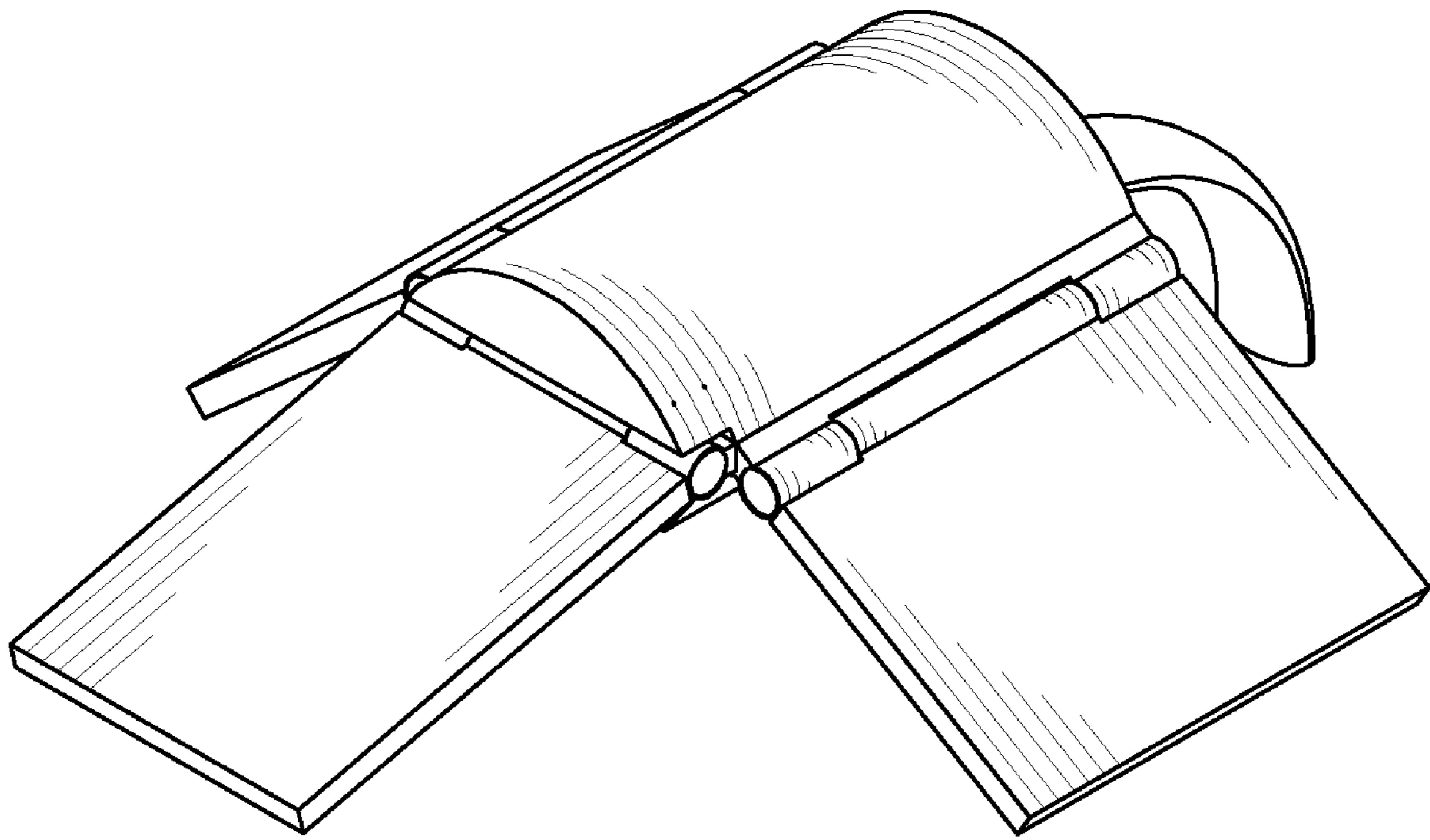


FIG. 1

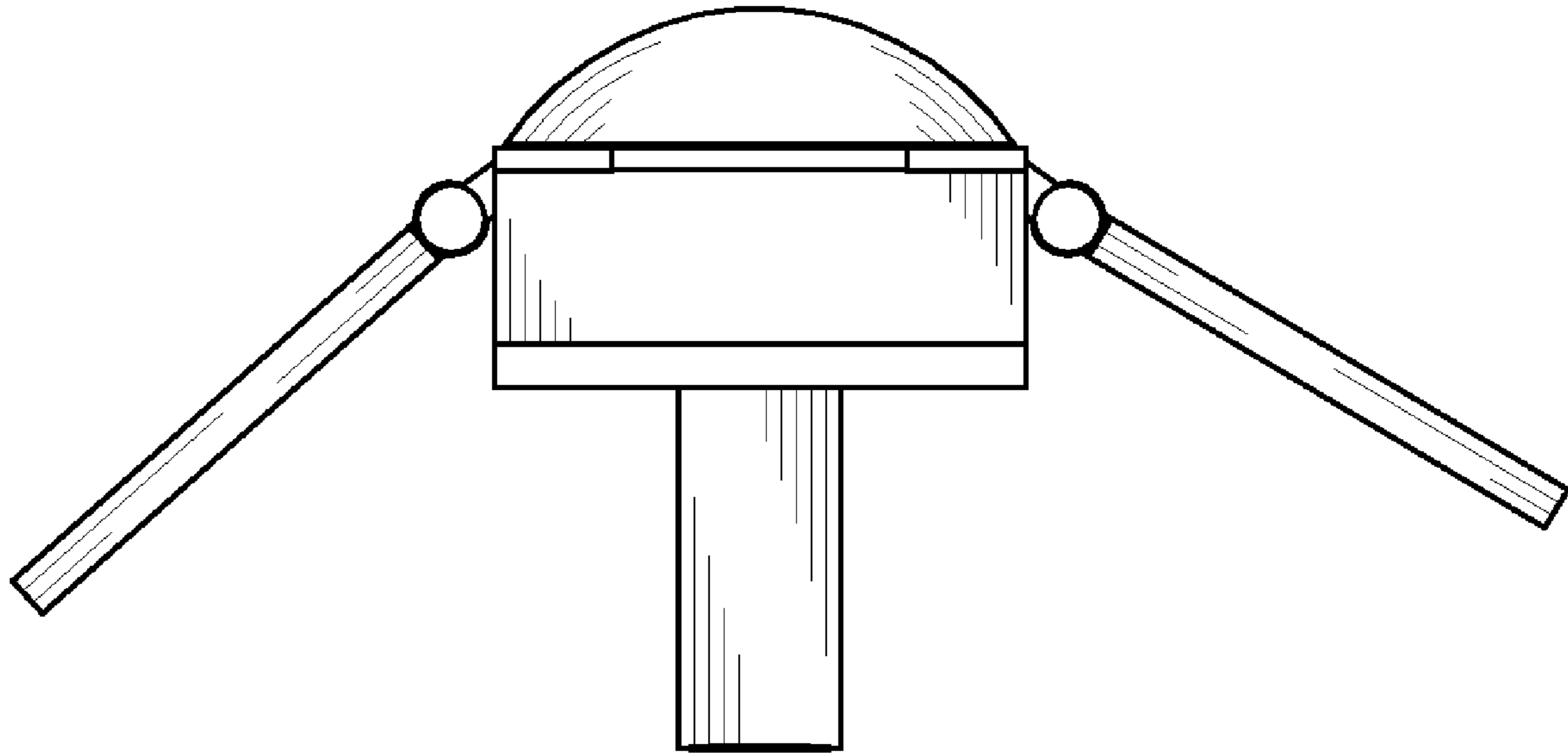


FIG. 2

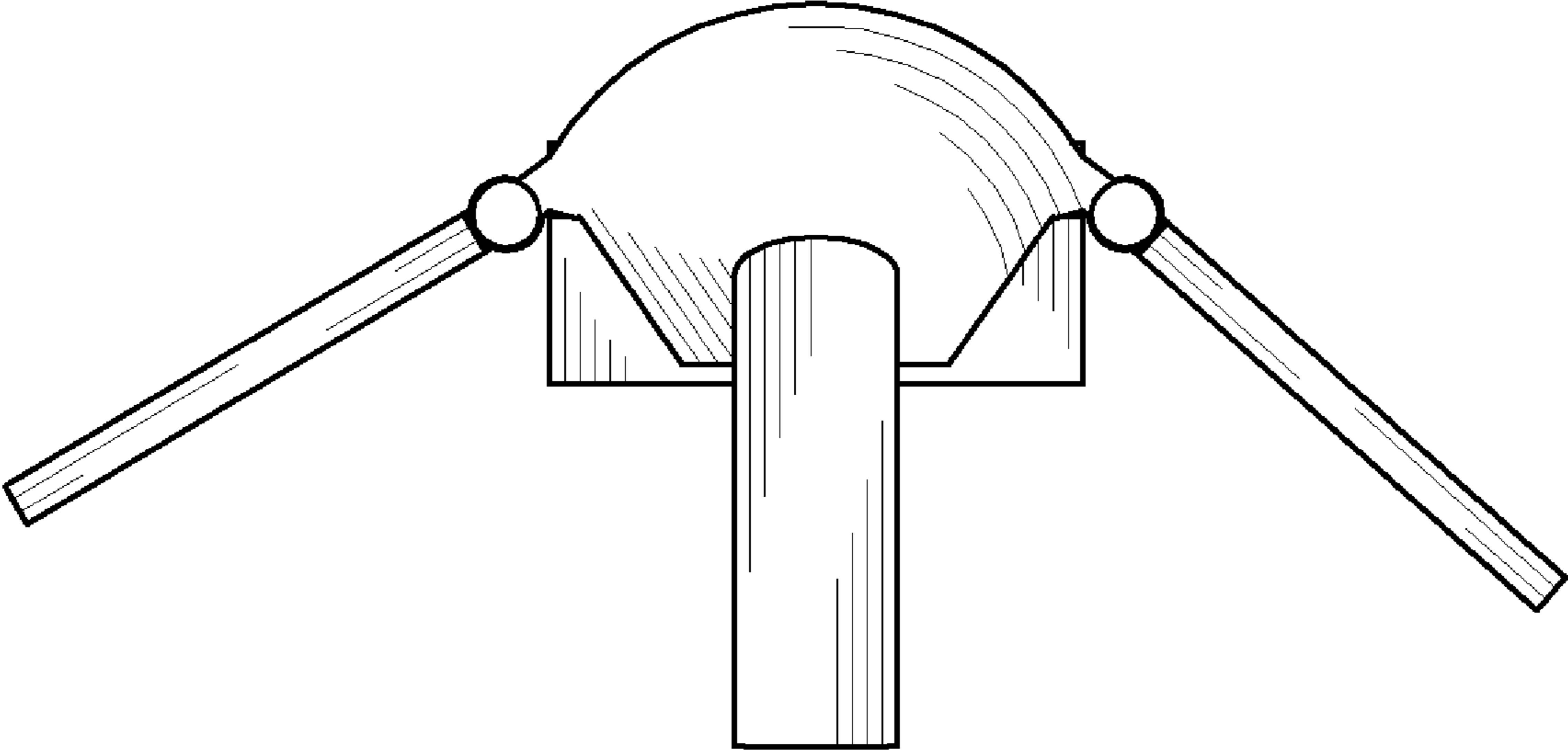


FIG. 3

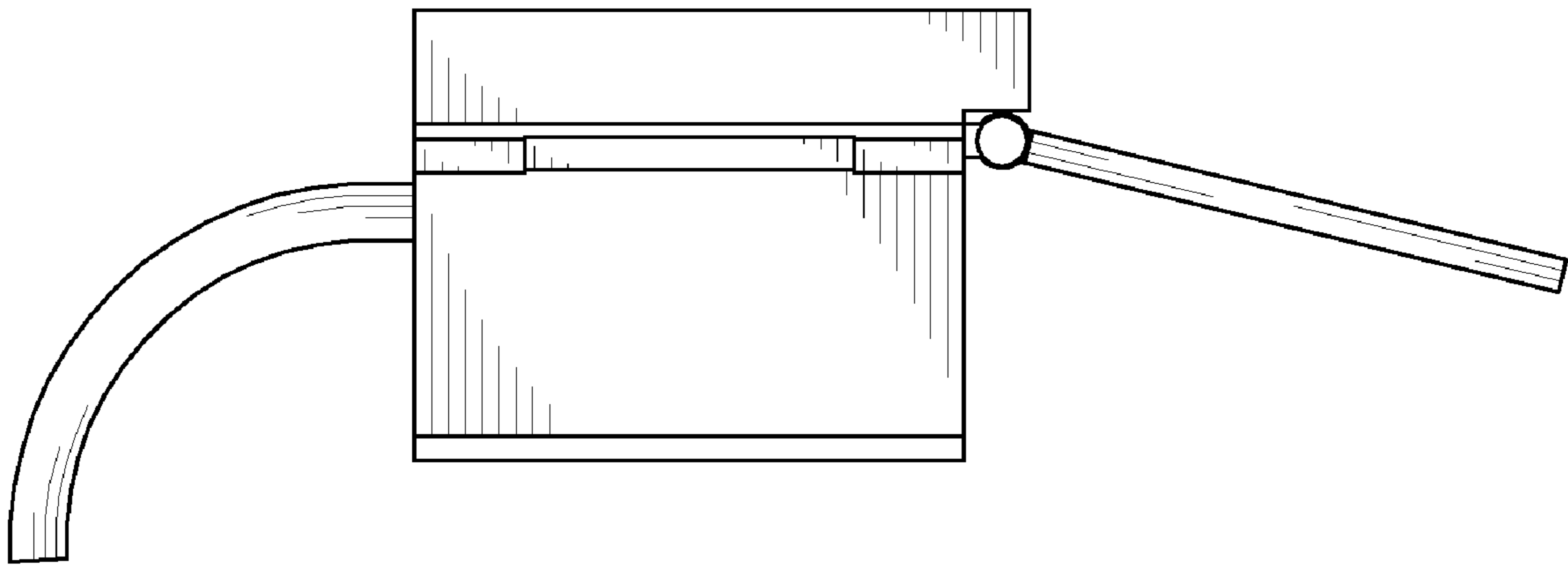


FIG. 4

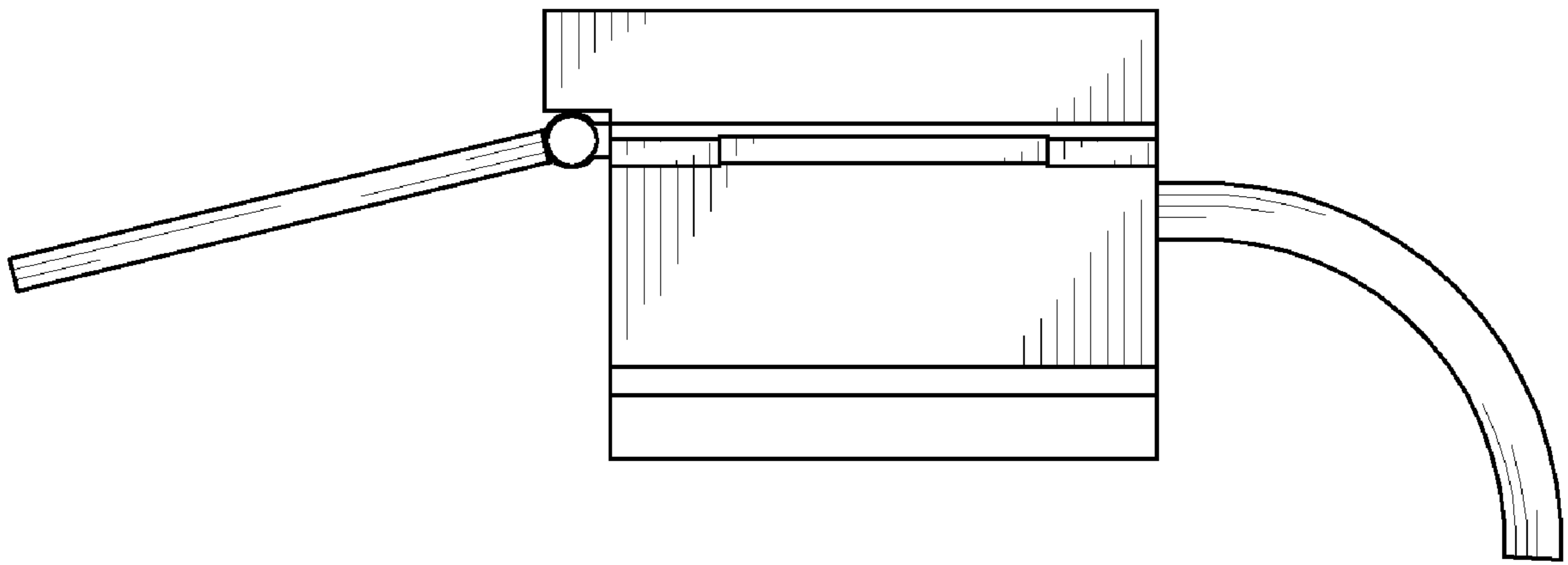


FIG. 5

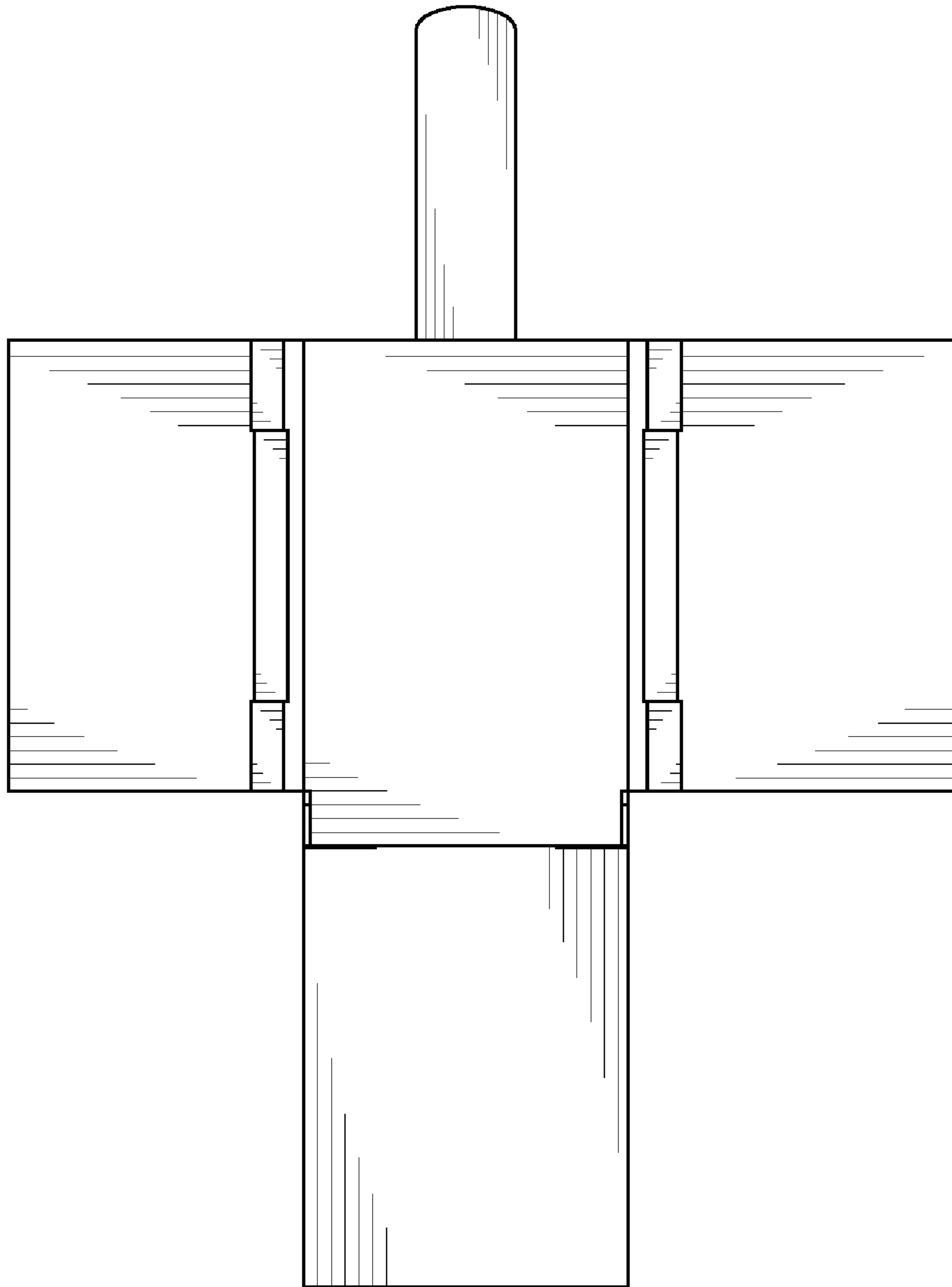


FIG. 6

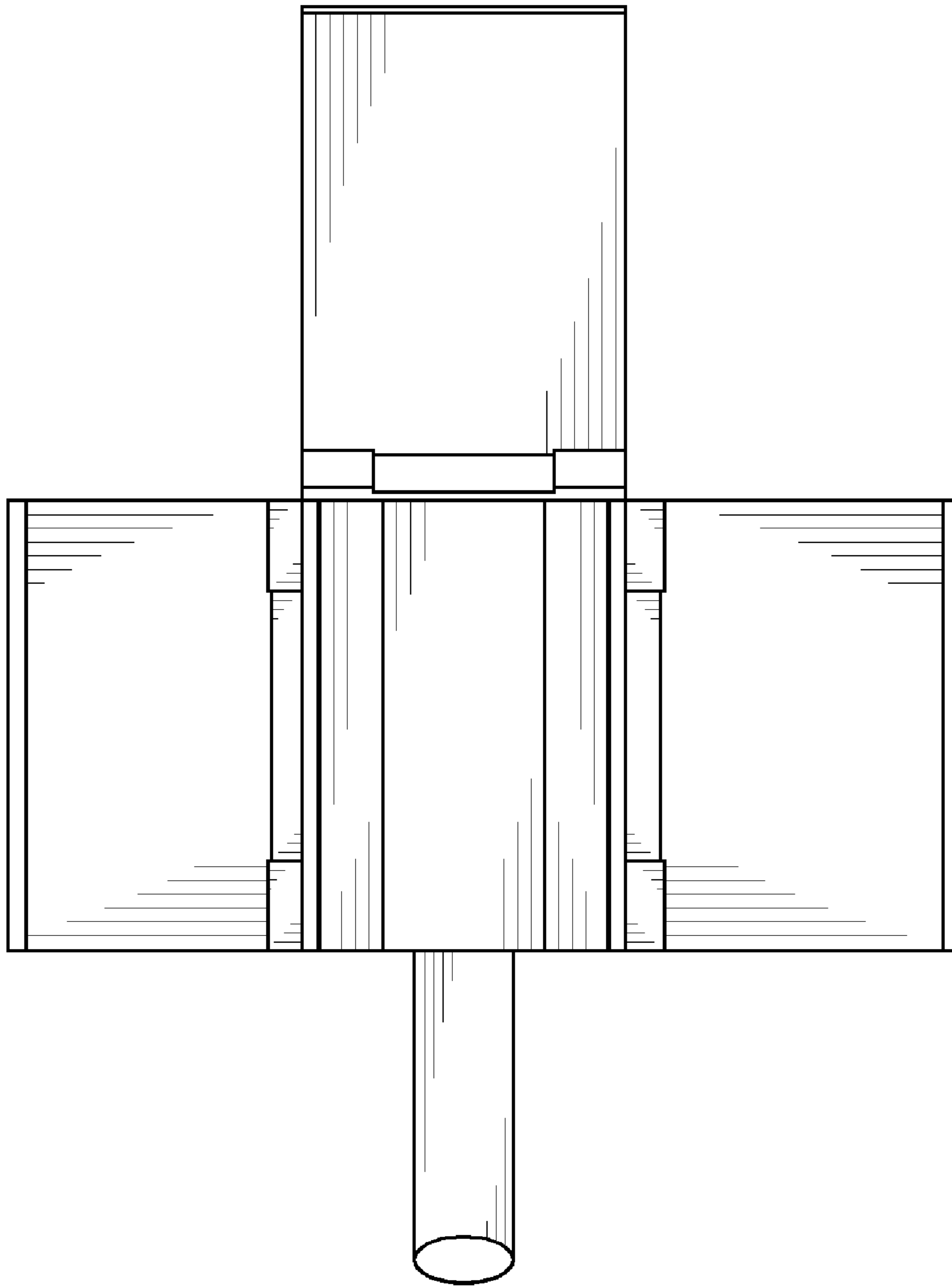


FIG. 7

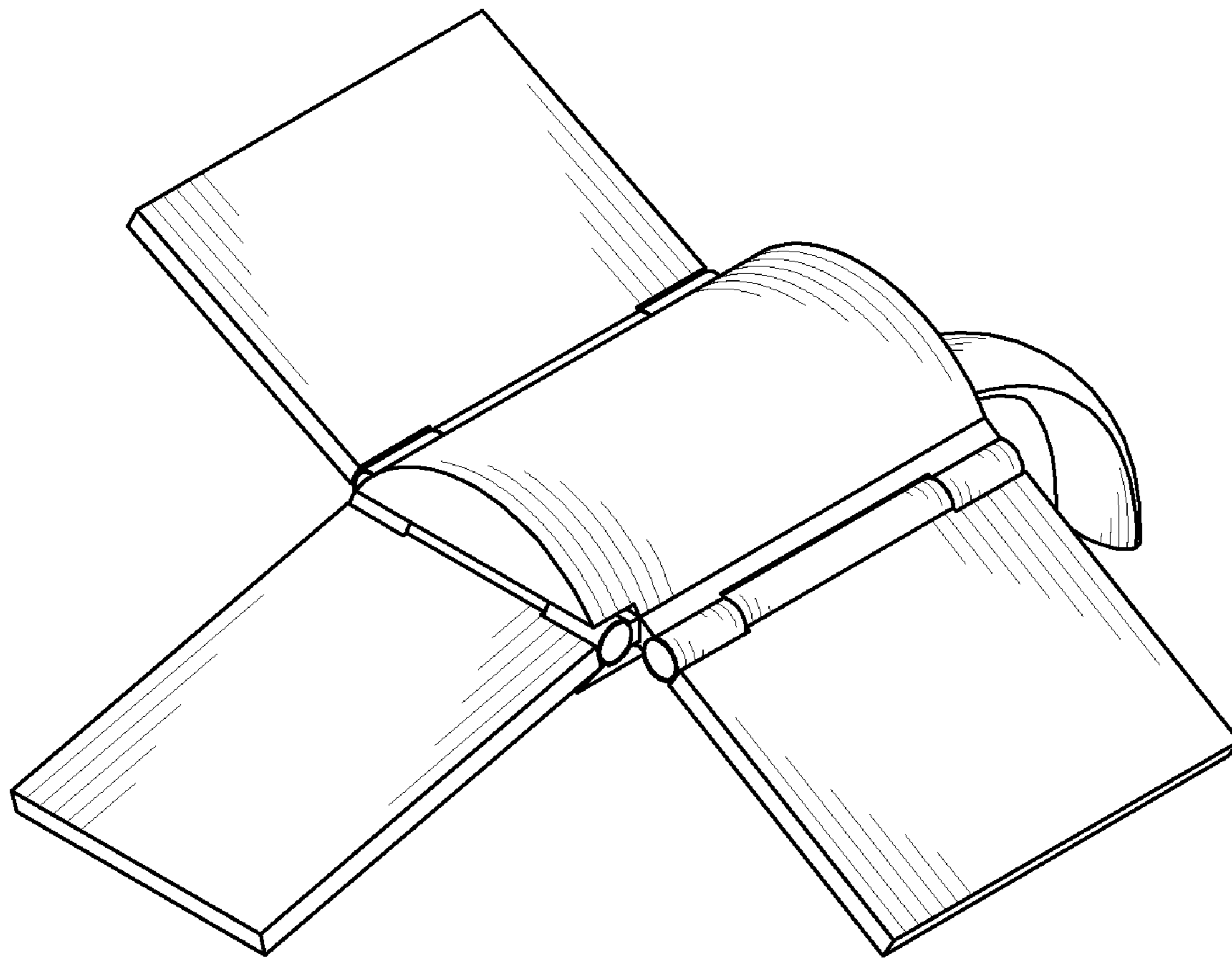


FIG. 8

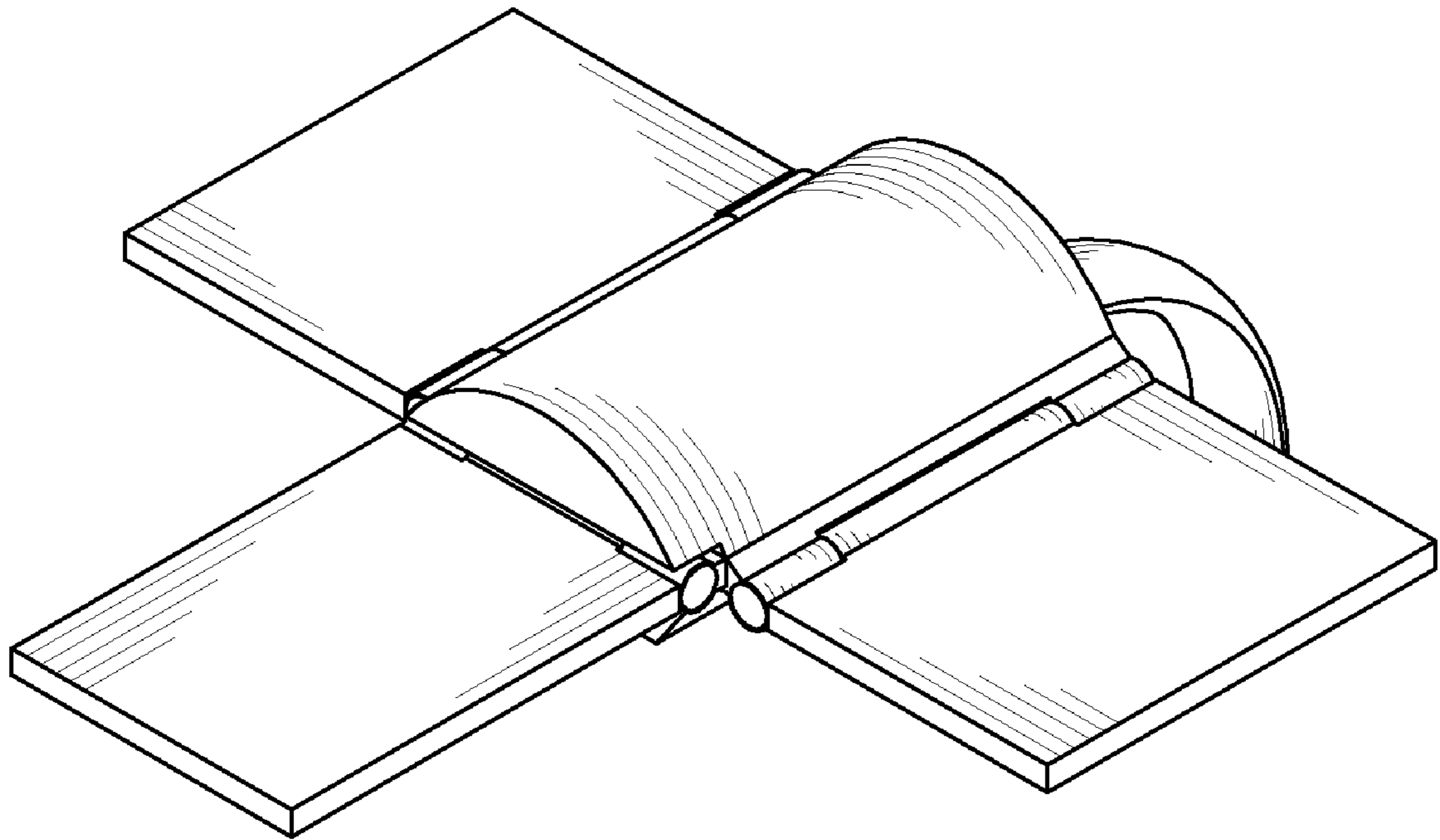


FIG. 9