



US00D622427S

(12) **United States Design Patent**
Herbin et al.

(10) **Patent No.:** **US D622,427 S**

(45) **Date of Patent:** **** Aug. 24, 2010**

(54) **LIGHTING DEVICES FOR VEHICLES**

(74) *Attorney, Agent, or Firm*—Jocox, Meckstroth & Jenkins

(75) Inventors: **Cyril Herbin**, Potelle (FR); **Remi Maliar**, Saint-Saulve (FR); **Benony Grigorescu**, Waterloo (BE)

(57) **CLAIM**

The ornamental design for lighting devices for vehicles, as shown and described in FIGS. 1-18.

(73) Assignee: **Valeo Vision**, Bobigny (FR)

(**) Term: **14 Years**

(21) Appl. No.: **29/327,307**

(22) Filed: **Nov. 4, 2008**

Related U.S. Application Data

(63) Continuation-in-part of application No. 29/323,887, filed on Sep. 3, 2008.

(30) **Foreign Application Priority Data**

May 6, 2008 (WO) DM/070 075

(51) **LOC (9) Cl.** **26-06**

(52) **U.S. Cl.** **D26/28**

(58) **Field of Classification Search** D26/28-36;
362/459-468, 475-478, 485-487

See application file for complete search history.

(56) **References Cited**

U.S. PATENT DOCUMENTS

D523,168 S * 6/2006 Reed et al. D26/139

D563,576 S * 3/2008 Hanaoka D26/28

D570,016 S * 5/2008 Hsu D26/28

FOREIGN PATENT DOCUMENTS

EM 000261870-0001 A1 2/2005

EM 000261870-0002 A1 2/2005

EM 000267372-0001 A1 2/2005

EM 000237094-0001 A1 3/2007

EM 000237094-0002 A1 3/2007

EM 000237094-0003 A1 3/2007

EM 000377122-0001 A1 1/2008

EM 000344130-0001 A1 7/2008

FR 032187-001 A1 5/2006

FR 032187-002 A1 5/2006

* cited by examiner

Primary Examiner—Marcus A Jackson

1 Claim, 6 Drawing Sheets

DESCRIPTION

FIG. 1 is a perspective view illustrating a reflector and an associated bezel in a housing with the housing not forming part of the design and phantom to show an environment in which the reflector is positioned;

FIG. 2 is a right side view, with the left side view being substantially a mirror image;

FIG. 3 is a front view of the reflector shown in FIG. 1;

FIG. 4 is a top view of the reflector shown in FIG. 1;

FIG. 5 is a bottom view of the reflector shown in FIG. 1;

FIG. 6 is a rear view of the reflector shown in FIG. 1;

FIG. 7 is a sectional view taken along line 7—7 in FIG. 3;

FIG. 8 is a sectional view taken along the line 8—8 in FIG. 3;

FIG. 9 is a sectional view taken along the line 9—9 in FIG. 3;

FIG. 10 is a view of an embodiment similar to the embodiments of FIGS. 1-8, except that the surface of the inner rim is black;

FIG. 11 is a right side view of the embodiment of FIG. 10, with the left side view being substantially a mirror image;

FIG. 12 is a front view of the reflector shown in FIG. 10;

FIG. 13 is a top view of the reflector shown in FIG. 10;

FIG. 14 is a bottom view of the reflector shown in FIG. 10;

FIG. 15 is a rear view of the reflector shown in FIG. 10;

FIG. 16 is a sectional view taken along line 16—16 in FIG. 12;

FIG. 17 is a sectional view taken along the line 17—17 in FIG. 12; and,

FIG. 18 is a sectional view taken along the line 18—18 in FIG. 12.

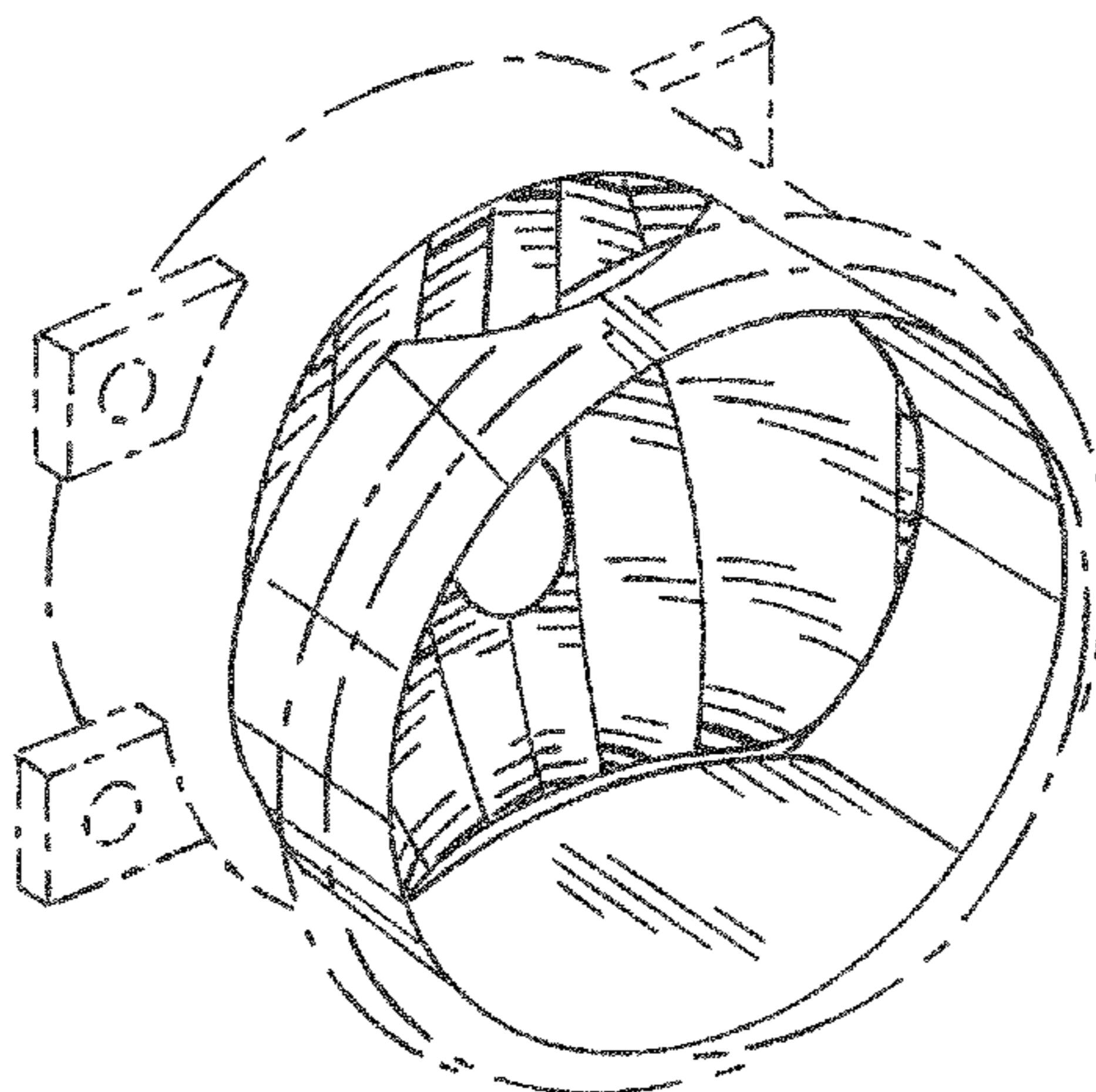


FIG-1

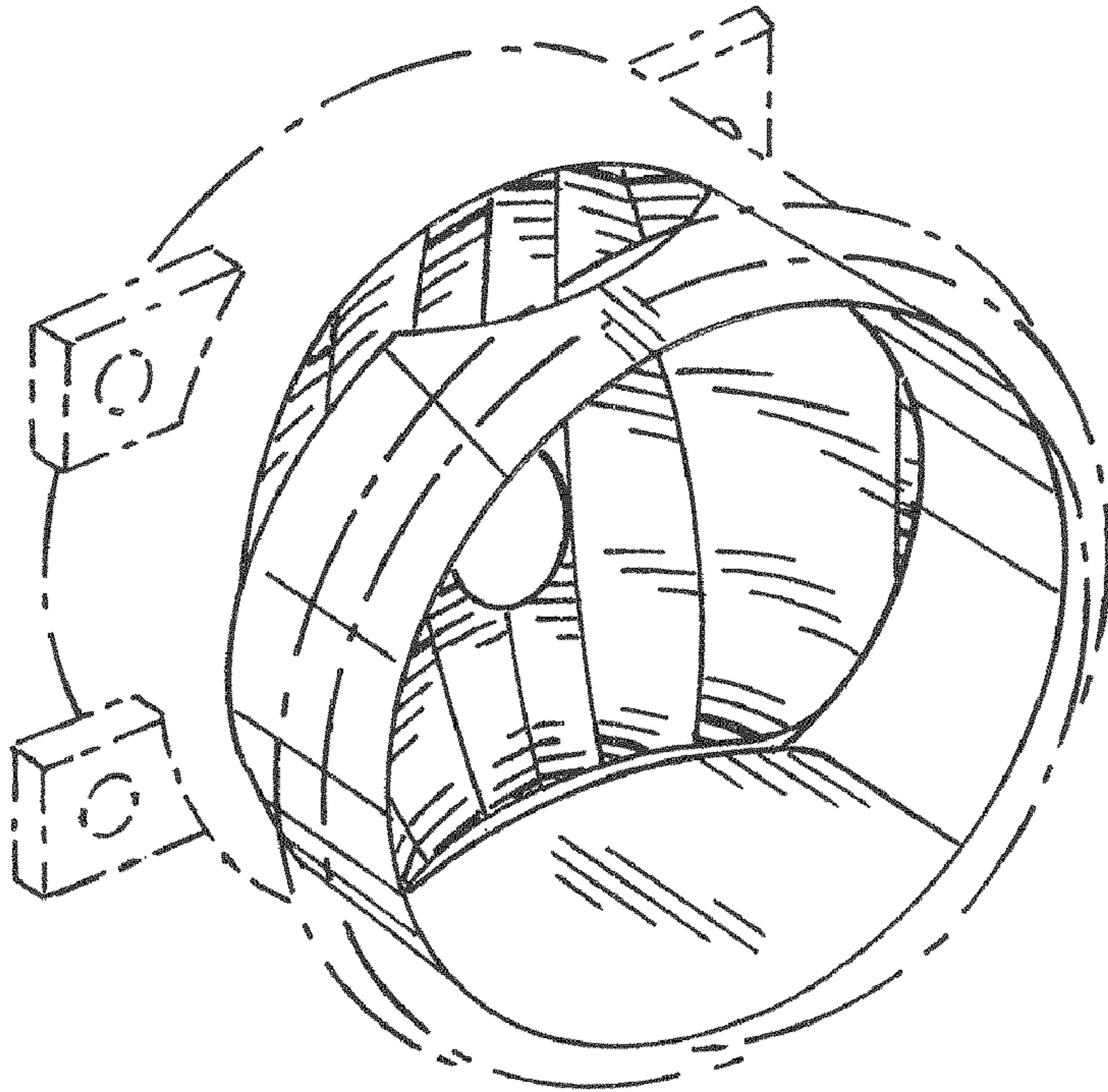


FIG-2

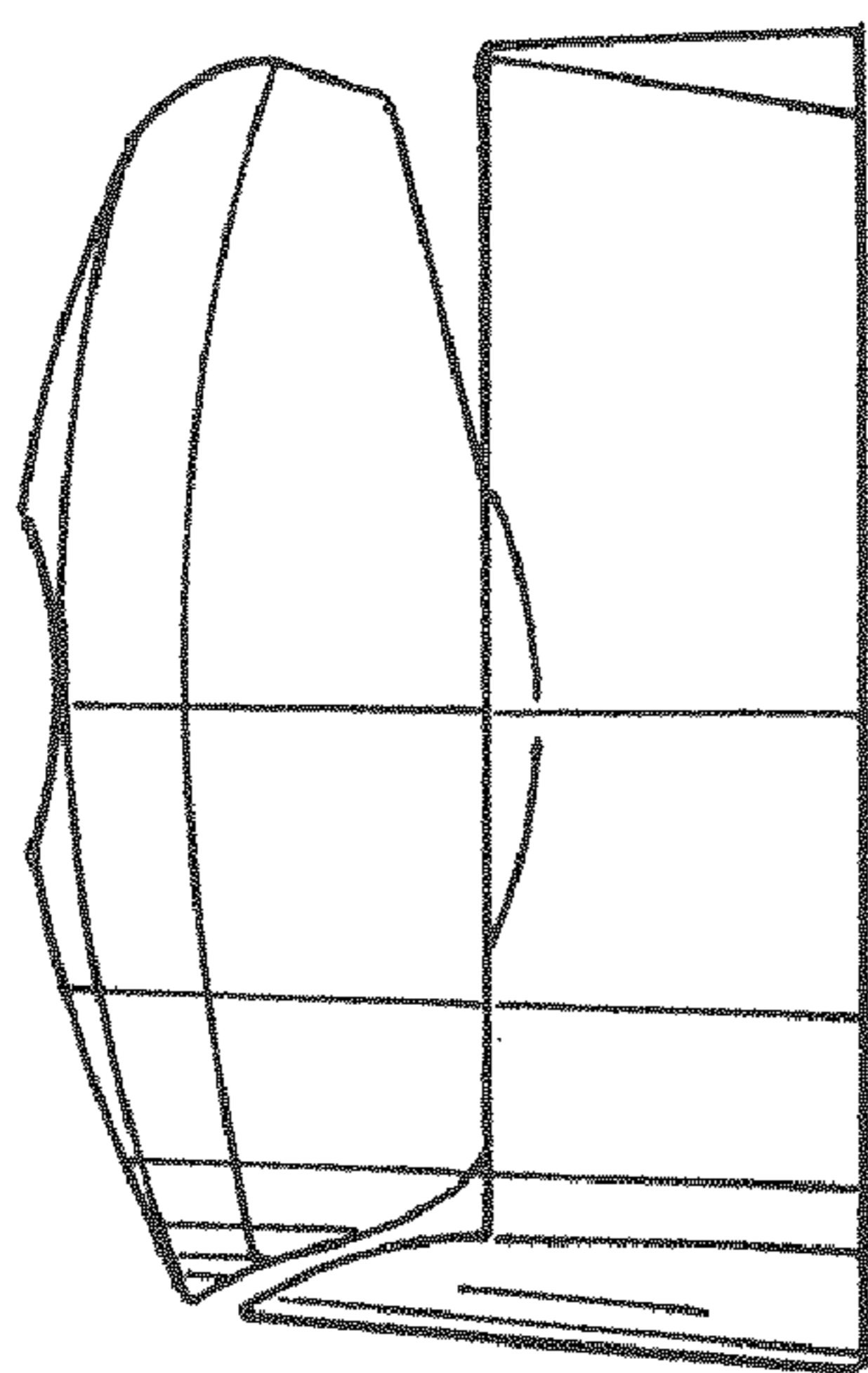


FIG-3

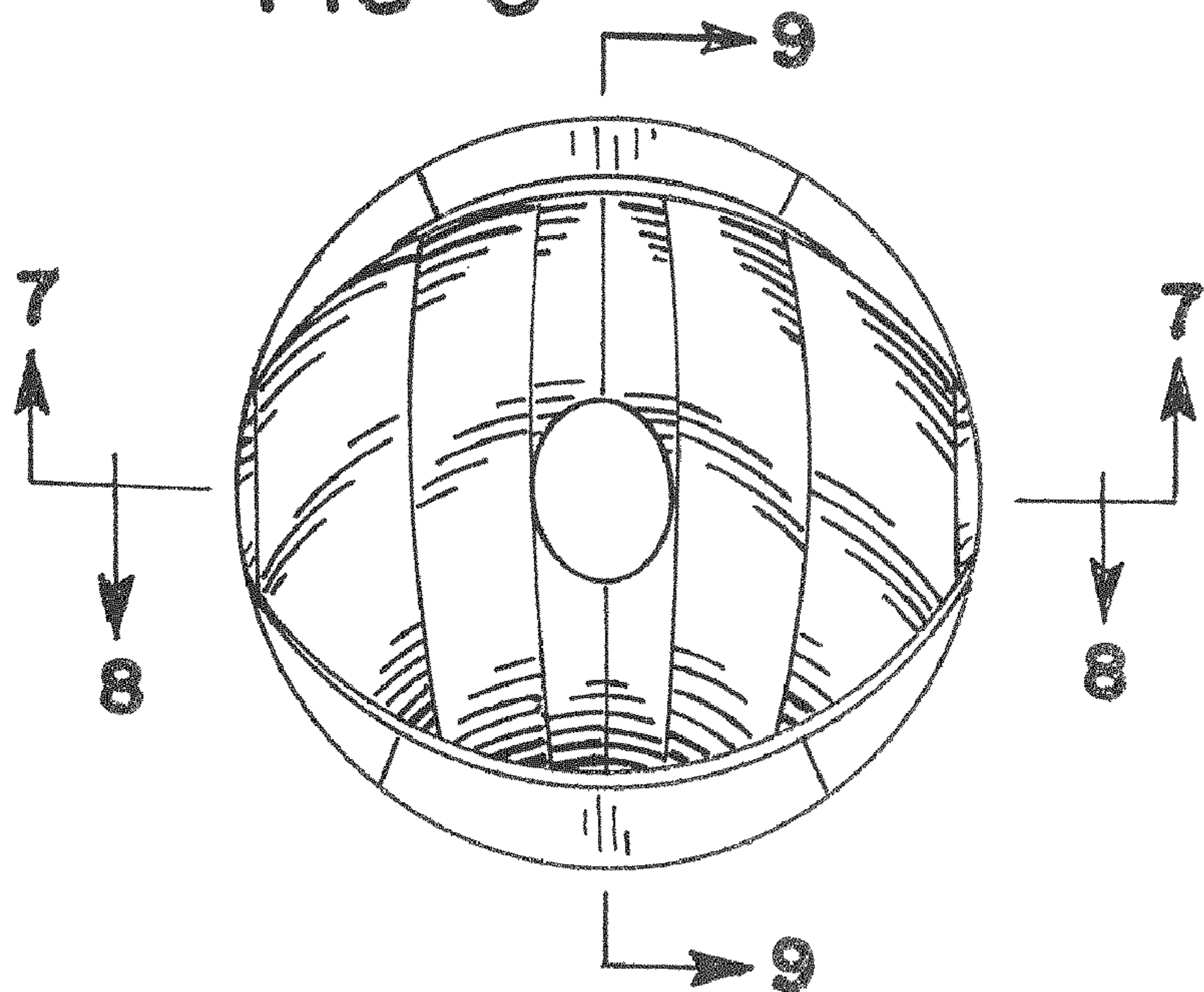


FIG-4

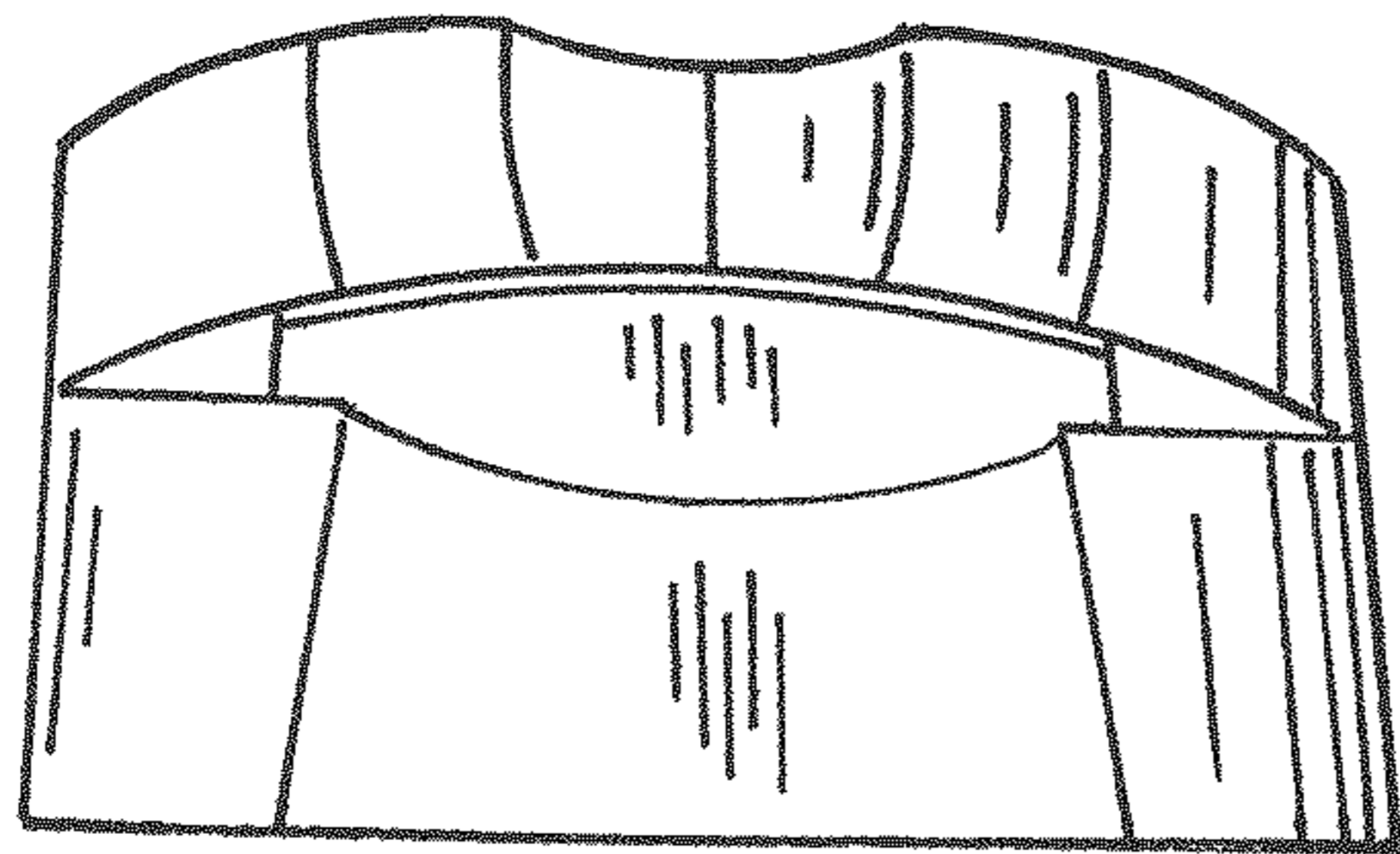


FIG-5

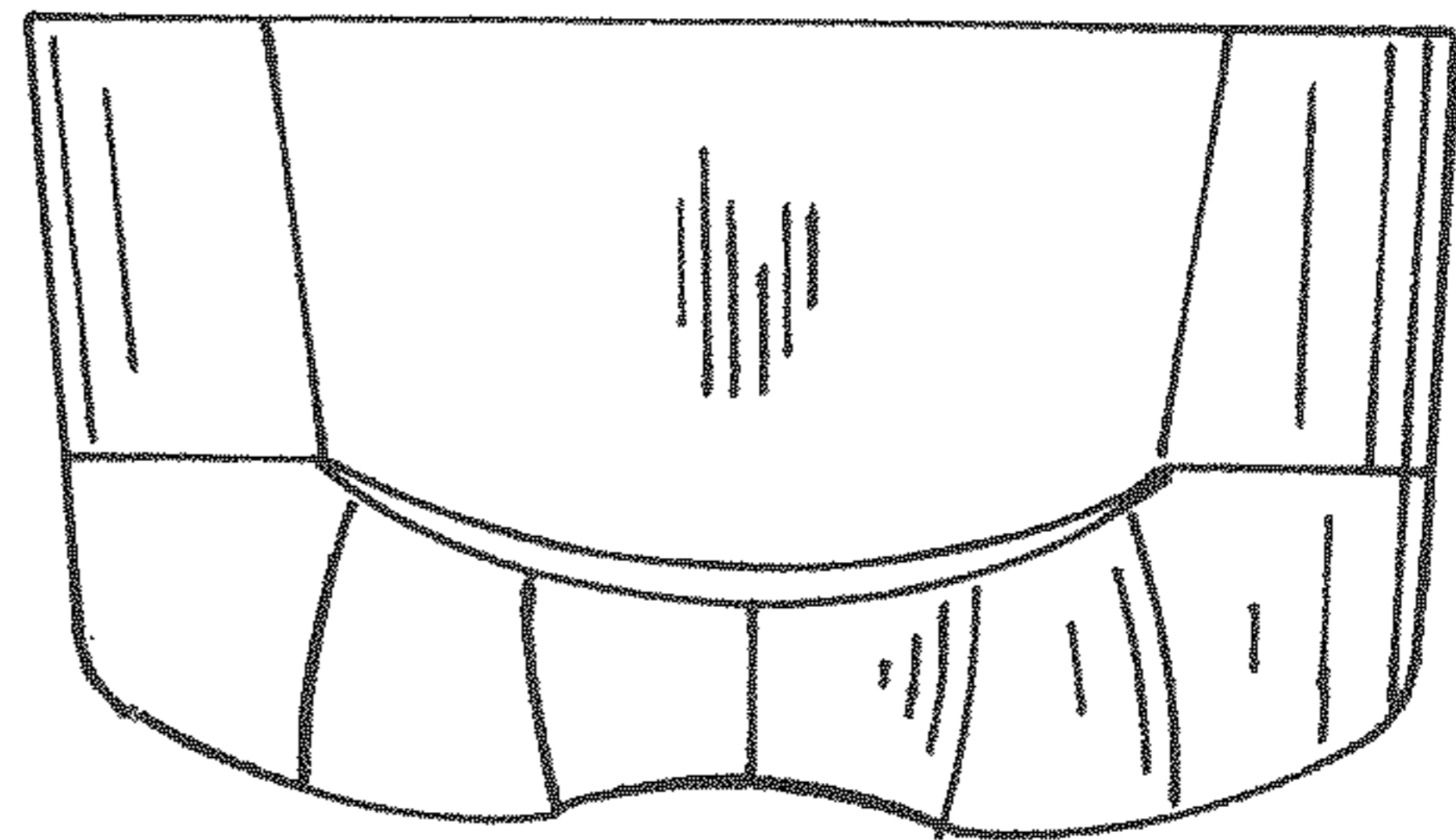


FIG-6

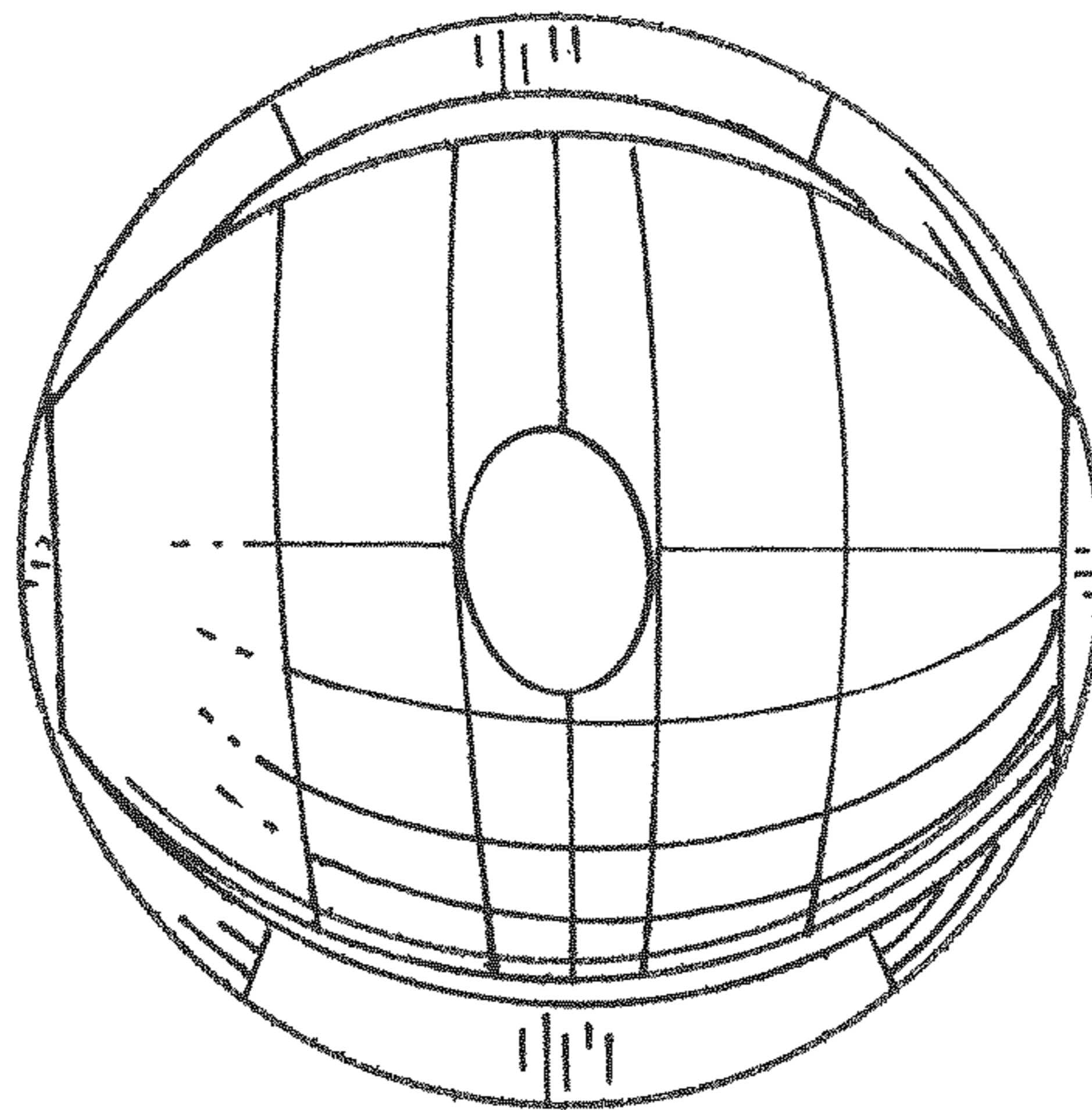


FIG-7

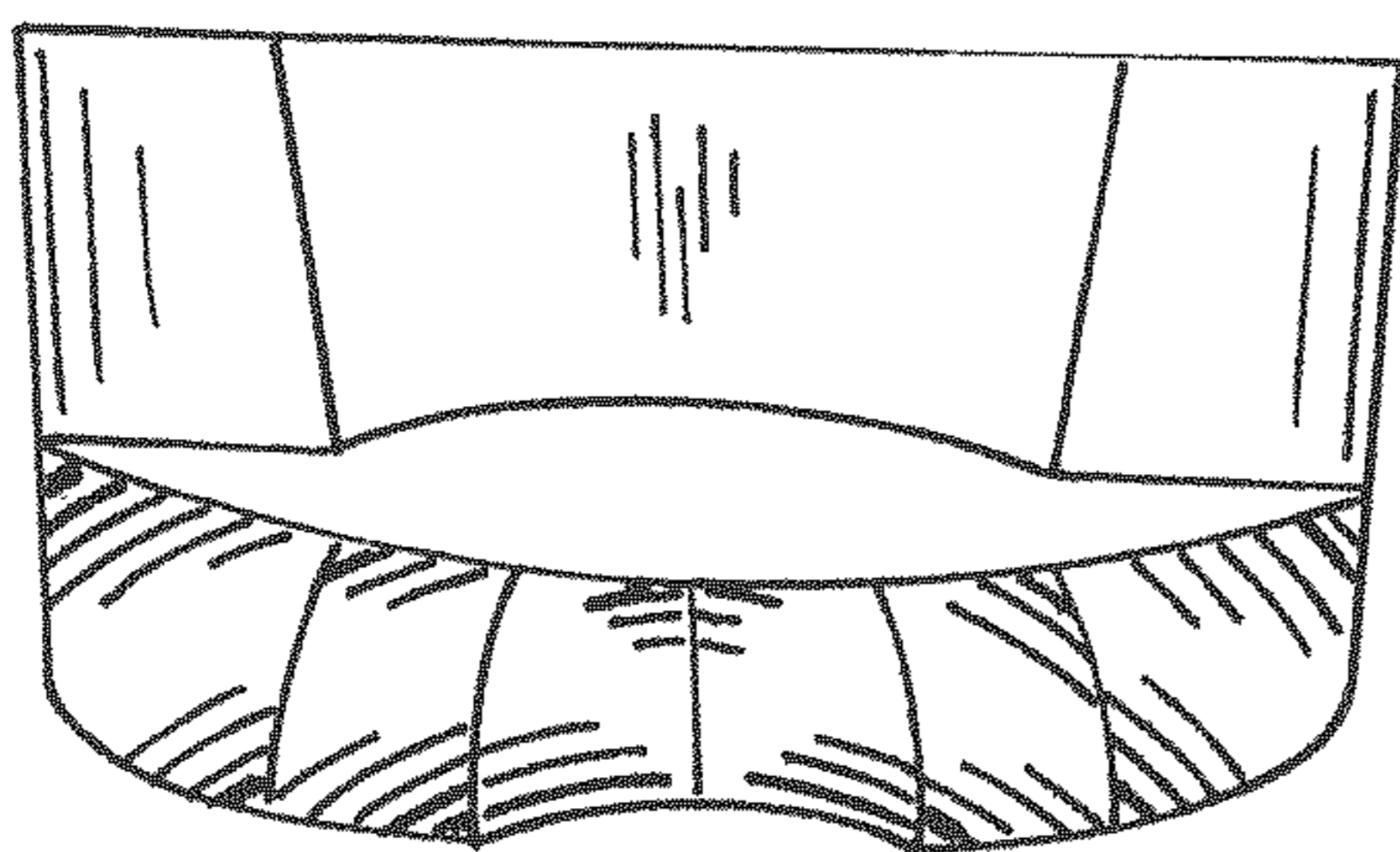


FIG-8

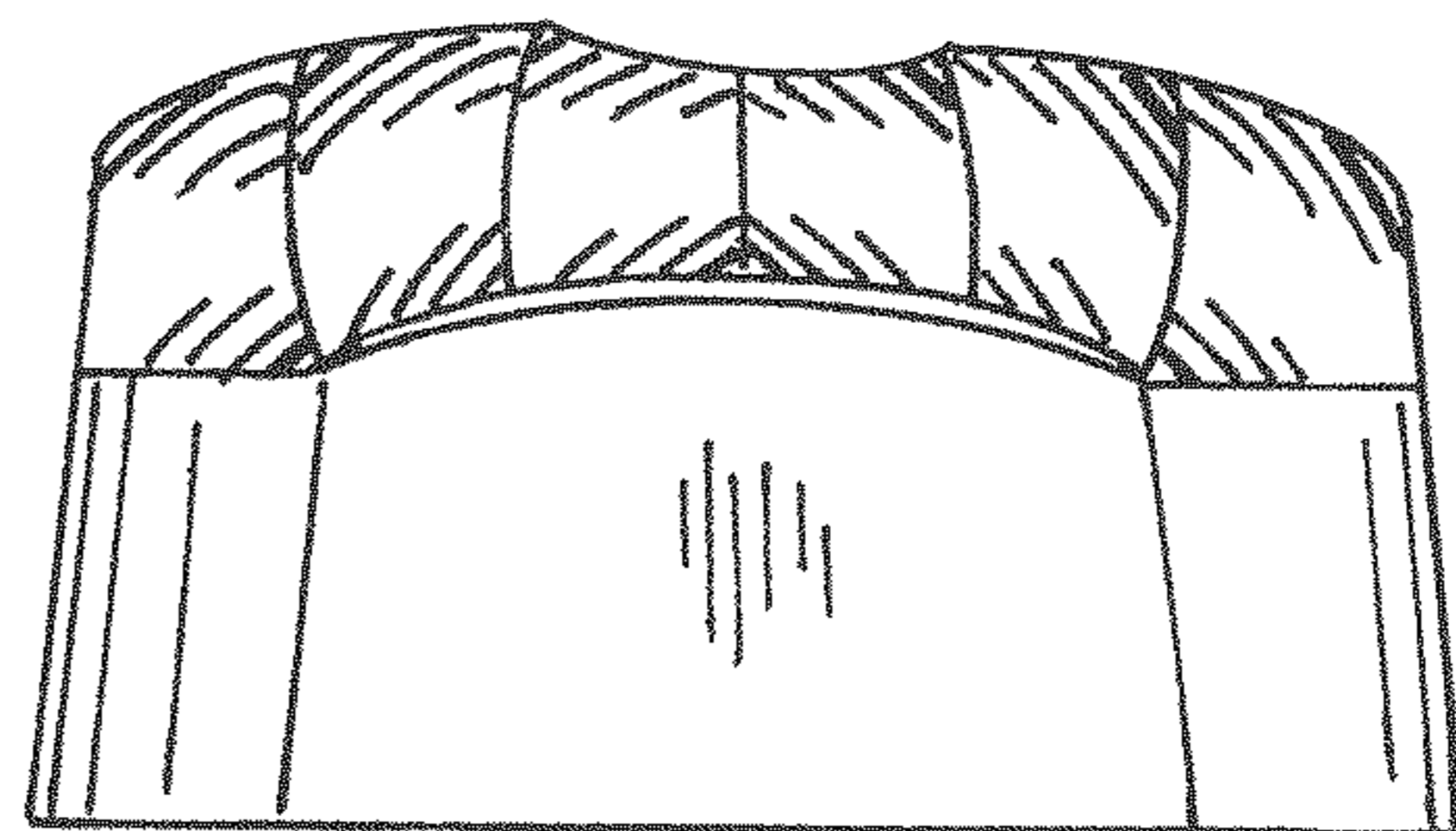


FIG-9

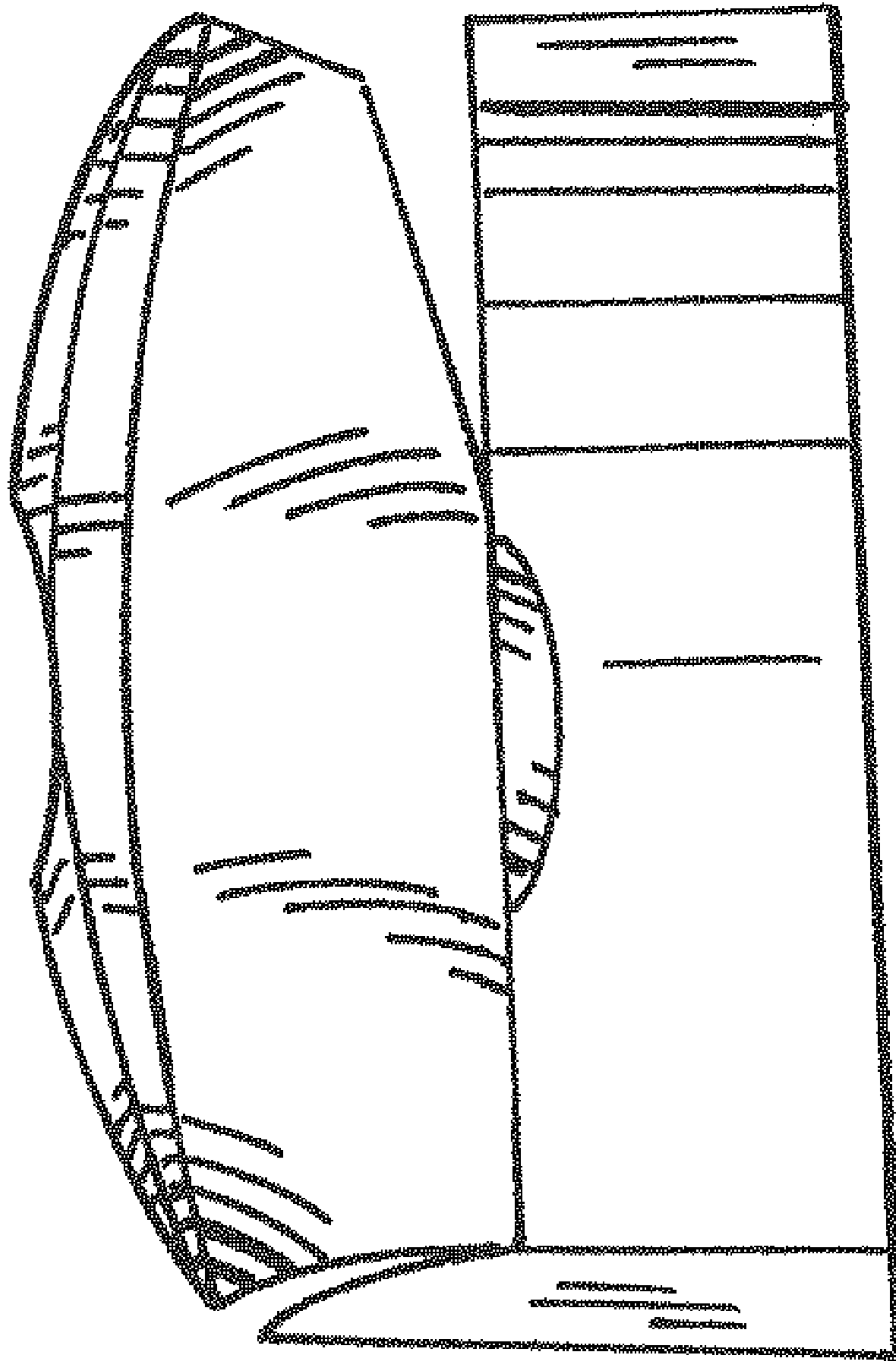


FIG-10

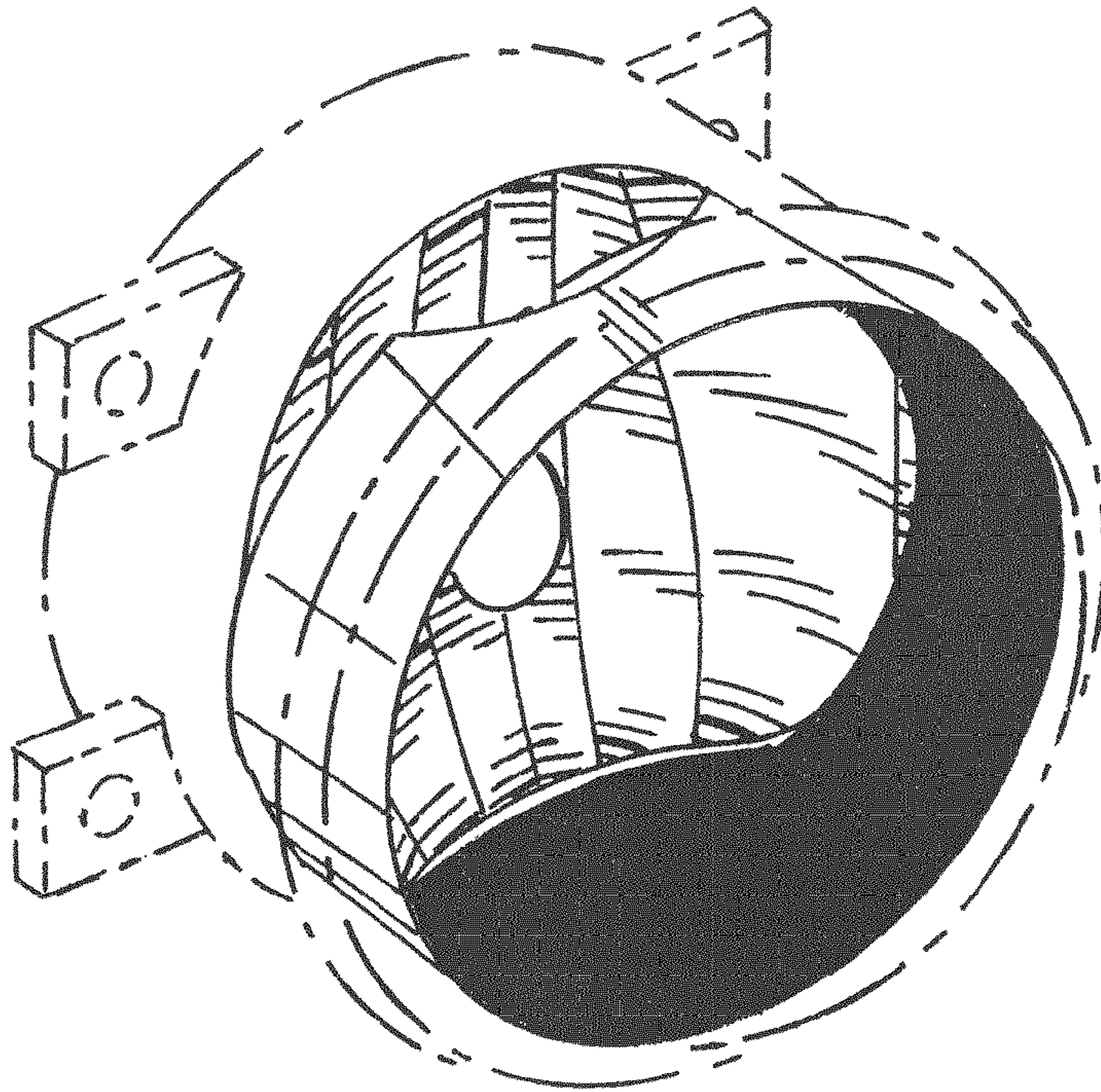


FIG-11

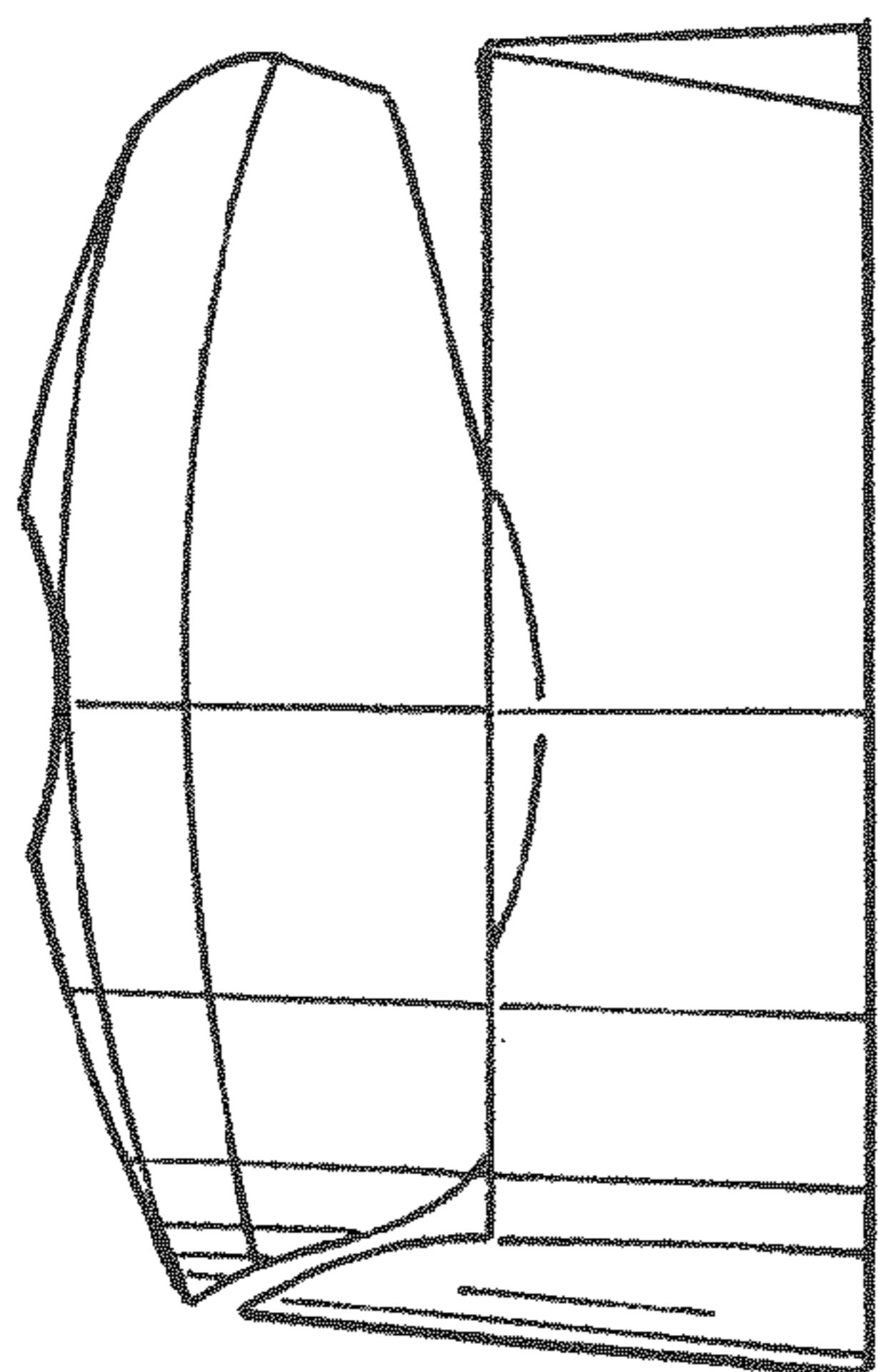


FIG-12

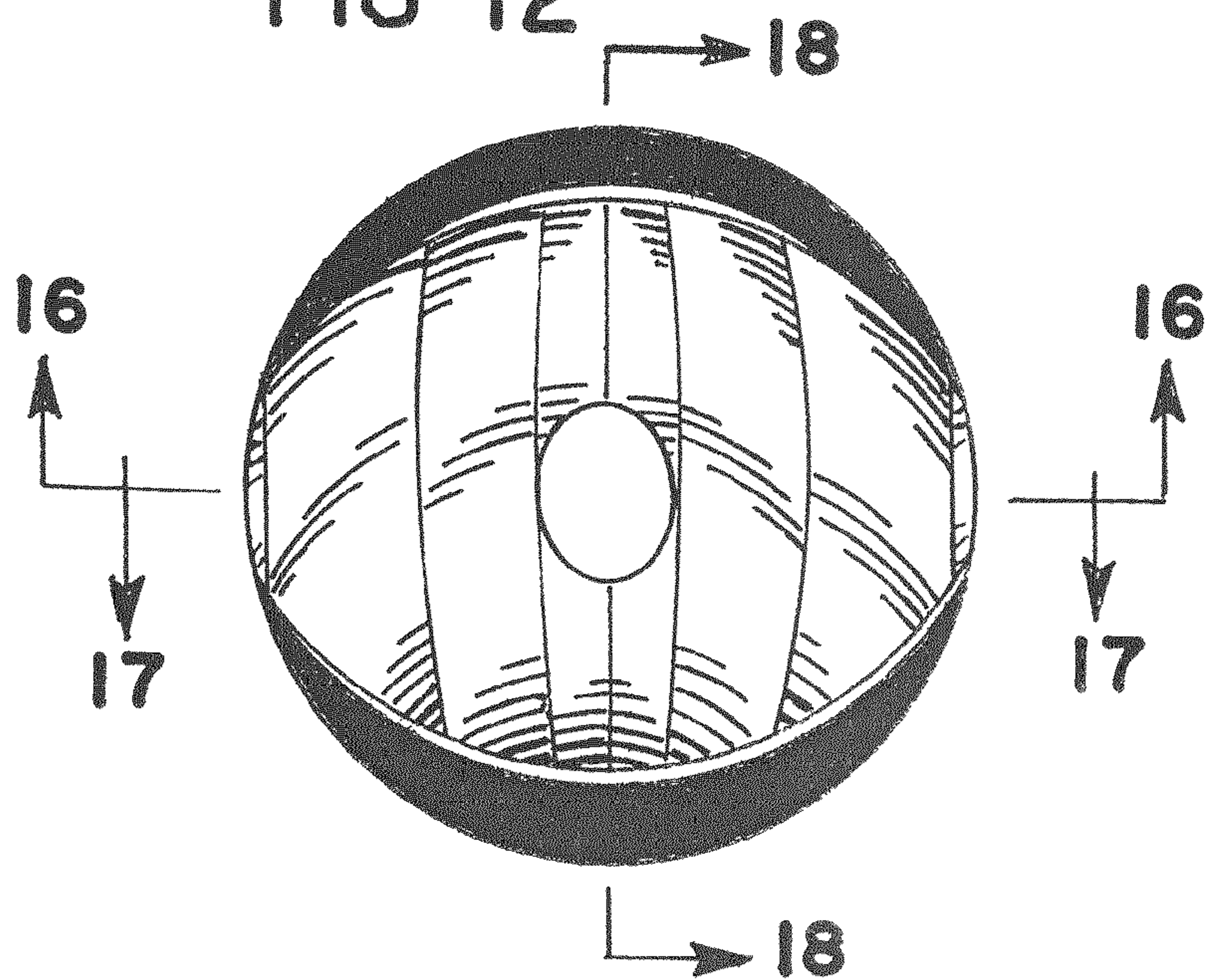


FIG-13

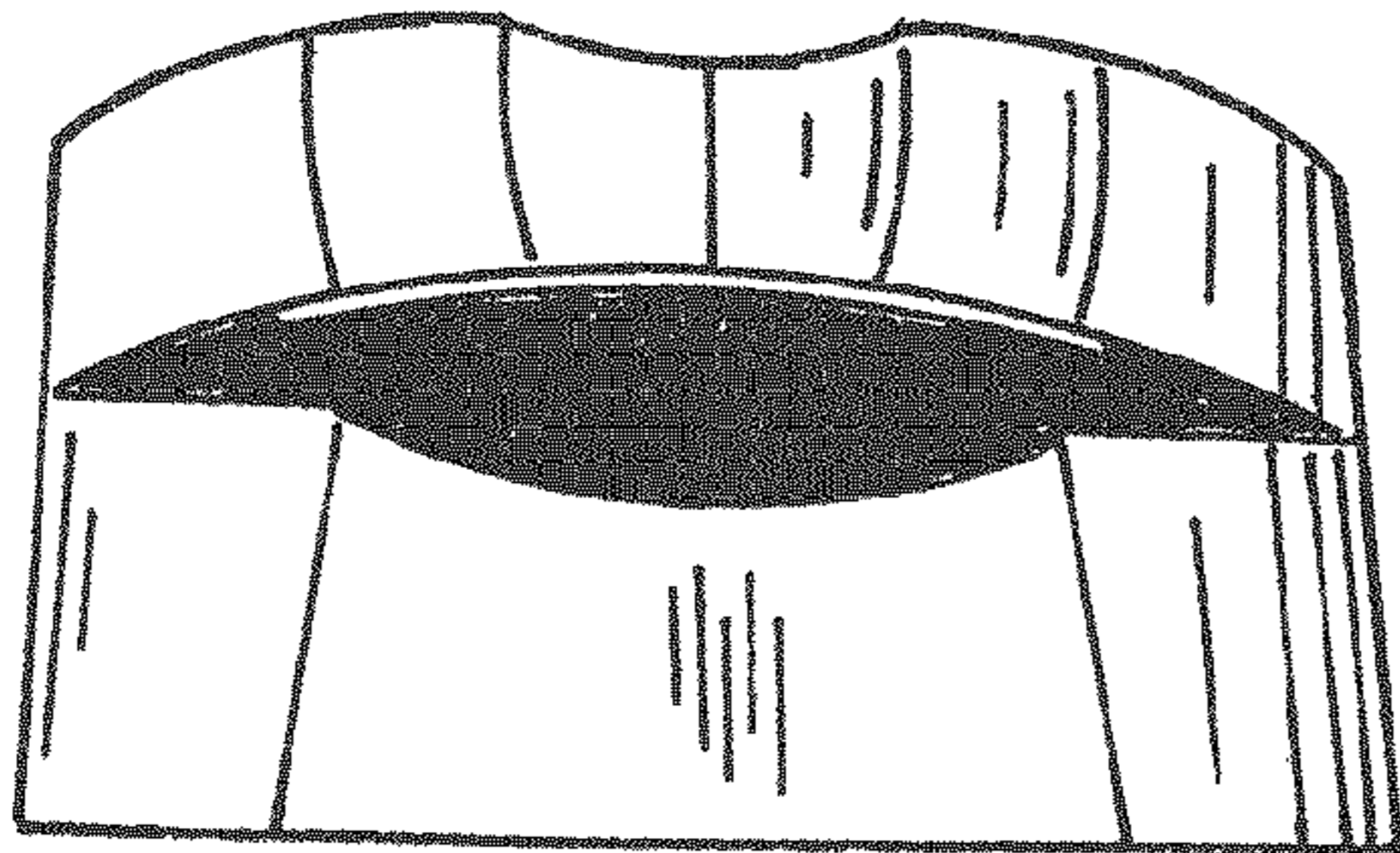


FIG-14

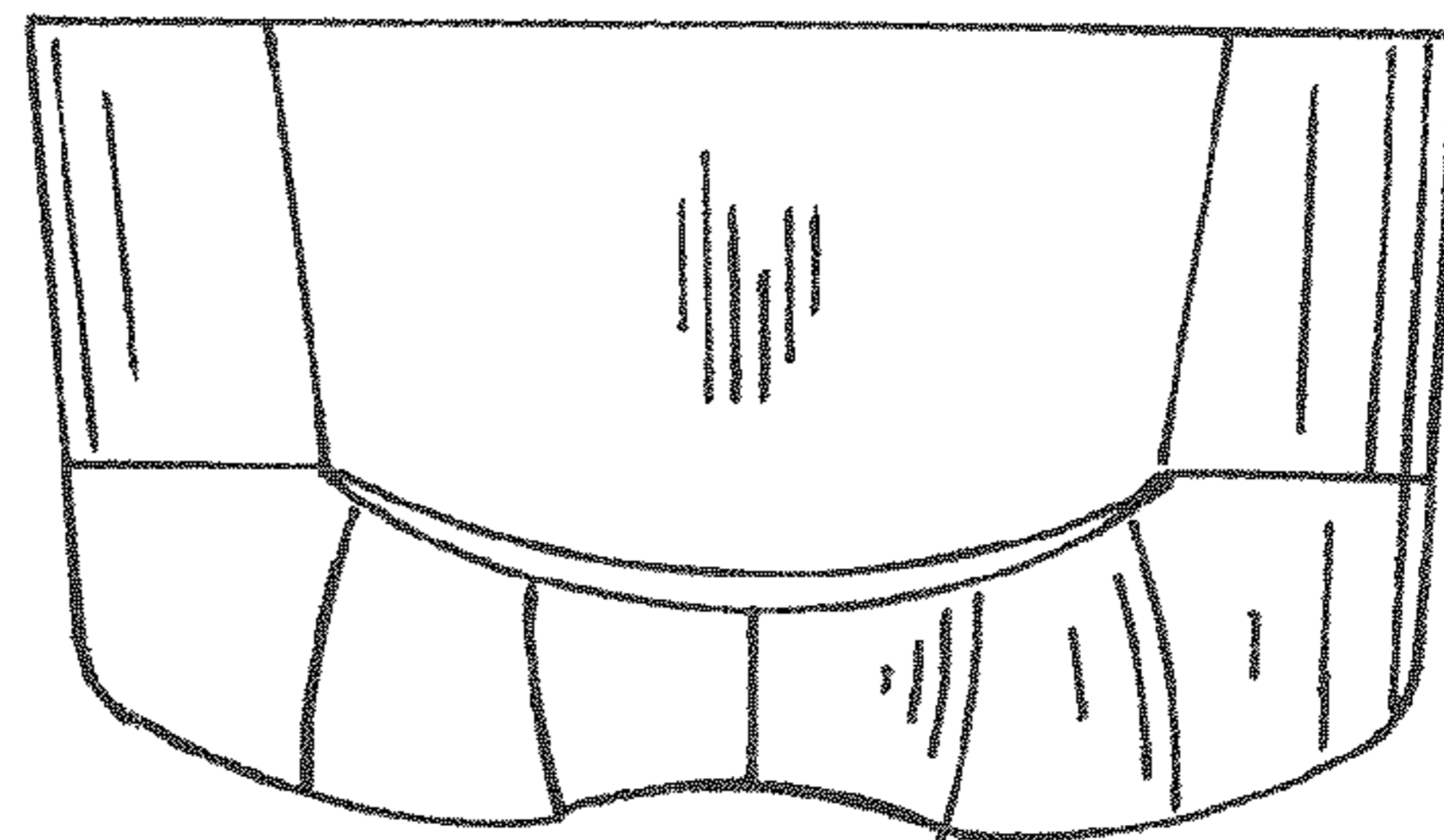


FIG-15

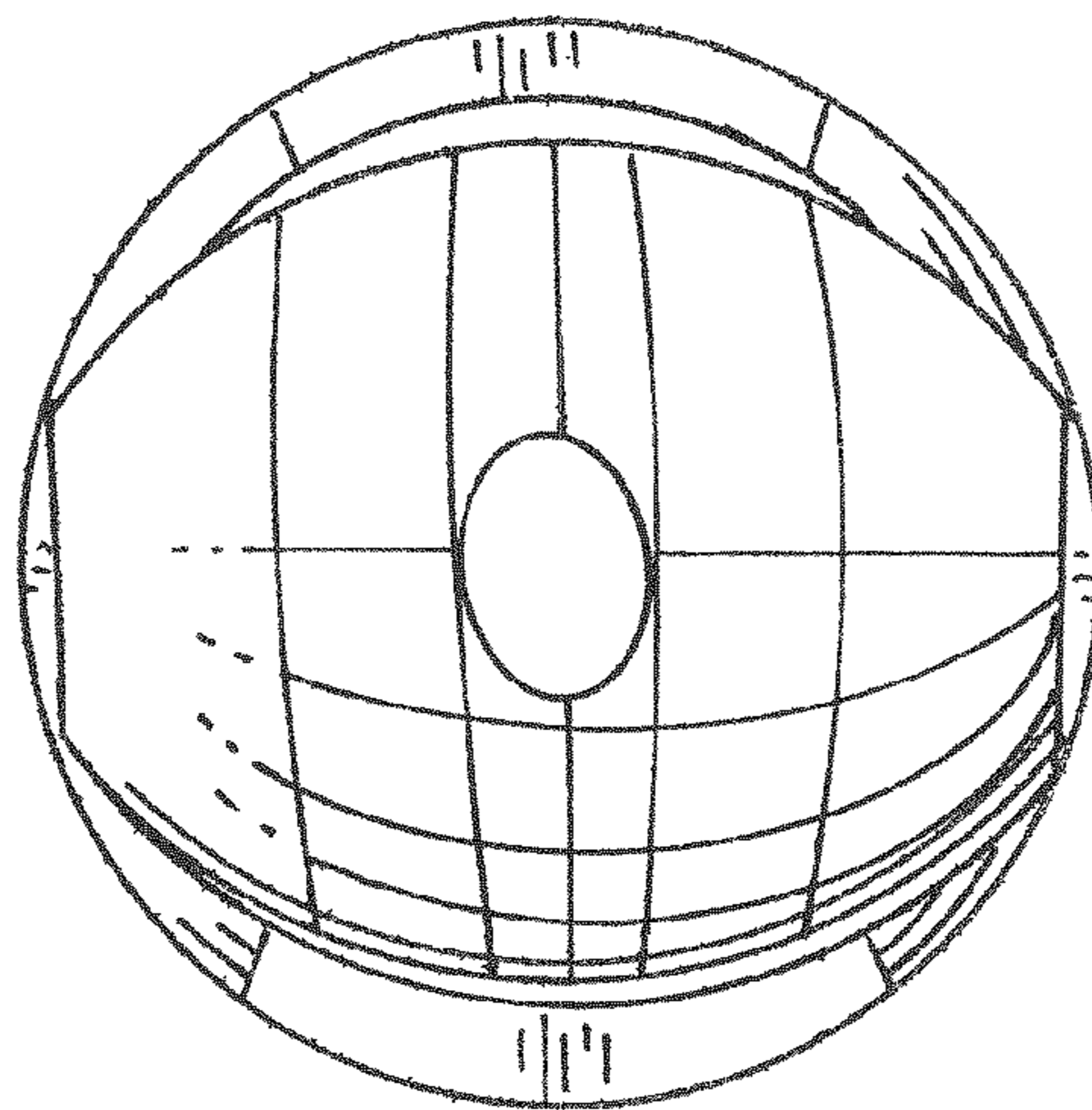


FIG-16

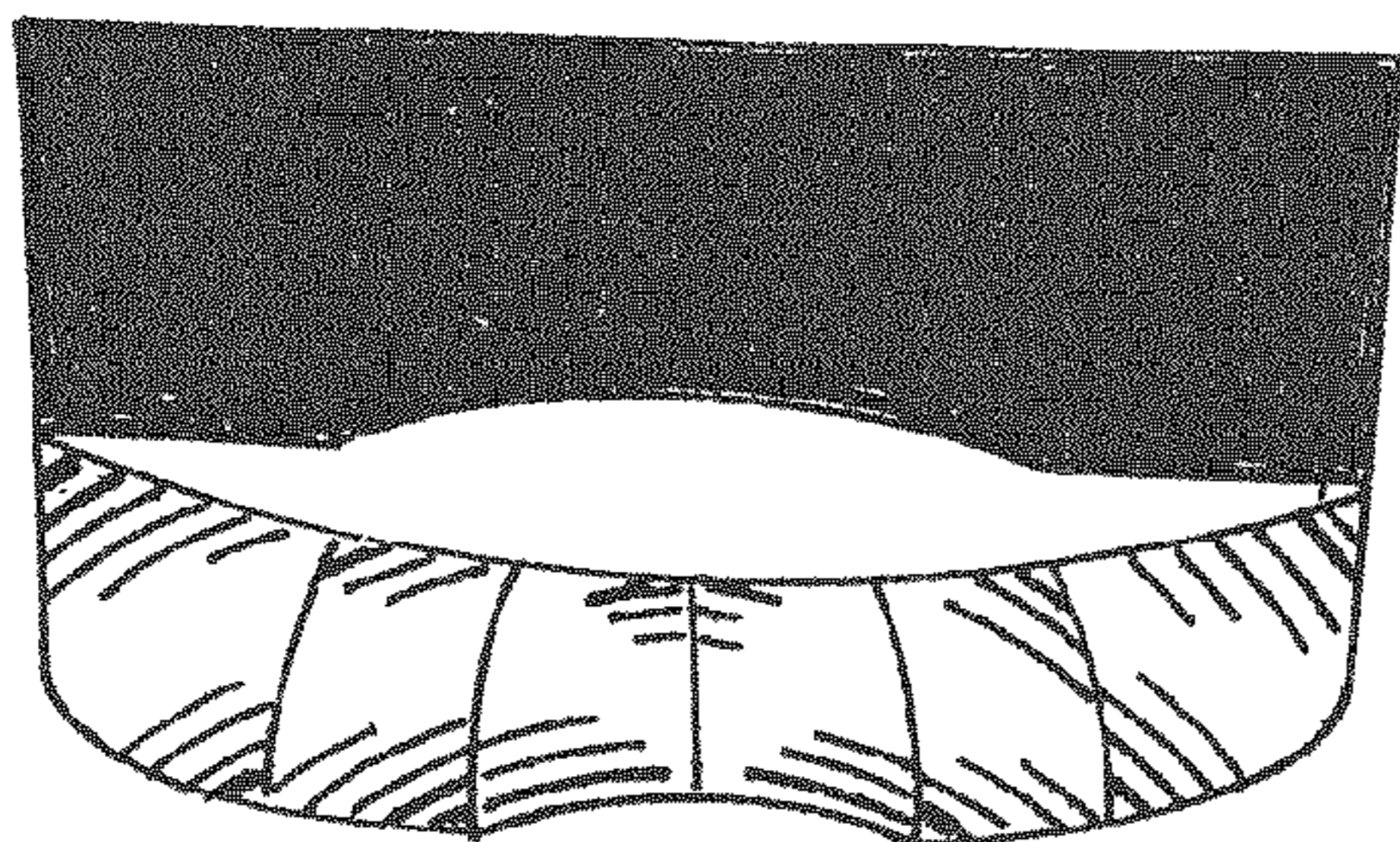


FIG-17

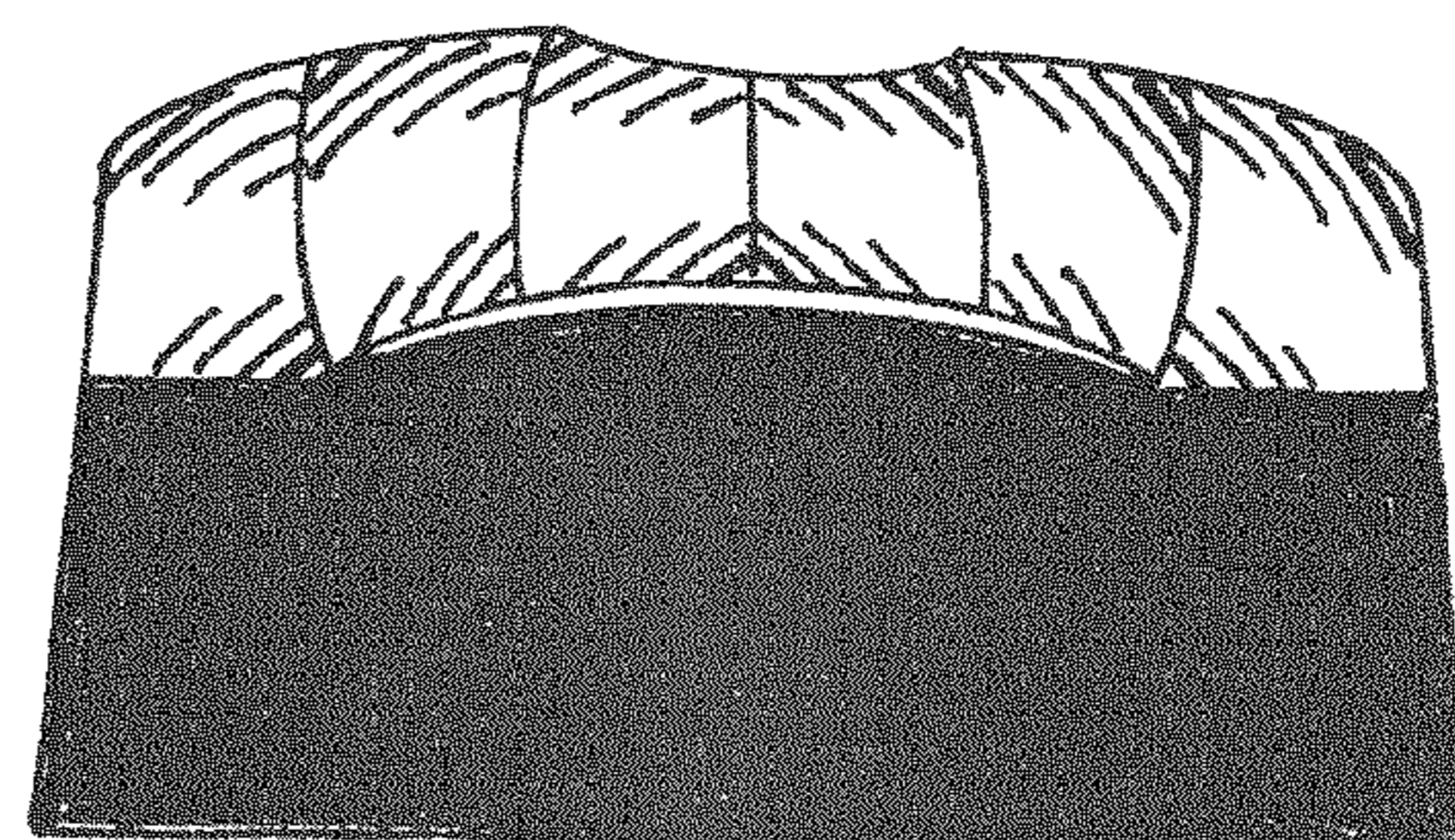


FIG-18

