



US00D622426S

(12) **United States Design Patent**  
**Song et al.**

(10) **Patent No.:** **US D622,426 S**

(45) **Date of Patent:** **\*\* Aug. 24, 2010**

(54) **VEHICLE TRUNK TAILLIGHT**

(74) *Attorney, Agent, or Firm*—Damian Porcari

(75) Inventors: **Solomon H Song**, Farmington Hills, MI (US); **Robert Todd Laster**, Wixom, MI (US); **Darrell Paul Behmer**, Novi, MI (US); **Moray Stuart Callum**, Ann Arbor, MI (US)

(57) **CLAIM**

The ornamental design for a vehicle trunk taillight, as shown and described.

(73) Assignee: **Ford Motor Company**, Dearborn, MI (US)

**DESCRIPTION**

(\*\*) Term: **14 Years**

FIG. 1 is a rear elevational view of a left vehicle trunk taillight (the right vehicle trunk taillight being a mirror of the left and is not illustrated), the lens having been rendered transparent using the Computer Aided Design tools to illustrate the internal surfaces;

(21) Appl. No.: **29/295,962**

FIG. 2 is a left elevational view of the vehicle trunk taillight; FIG. 3 is a right elevational view of the vehicle trunk taillight; FIG. 4 is a top plan view of the vehicle trunk taillight; FIG. 5 is a bottom plan view of the vehicle trunk taillight; and, FIG. 6 is a front elevational view of the vehicle trunk taillight.

(22) Filed: **Oct. 11, 2007**

(51) **LOC (9) Cl.** ..... **26-06**

(52) **U.S. Cl.** ..... **D26/28**

(58) **Field of Classification Search** ..... D26/28-36;  
362/459-468, 475-478, 485-487

See application file for complete search history.

The vehicle trunk taillight is styled independently of adjacent vehicle panels. To the extent that any feature lines are illustrated, they are intended to illustrate the crest and valley of the feature and are not necessarily sharp bends in the part. Shading is used to illustrate the curvature of the part and not color. Areas shown in or sounded by broken lines are not claimed. Any functional features of the vehicle trunk taillight are not claimed. Views are orthogonal projections unless otherwise noted. The various views are not necessarily to scale in order to better illustrate the design. The drawings were generated using Computer Aided Design tools. Highlights and shading were added to the drawings to better illustrate the three-dimensional features of the part. The Vehicle Headlight is intended to be observed in various states of internal illumination as well as in daylight with no internal illumination.

(56) **References Cited**

**U.S. PATENT DOCUMENTS**

- D549,363 S \* 8/2007 Pfeiffer ..... D26/28
- D552,769 S \* 10/2007 Leclercq ..... D26/28
- D553,268 S \* 10/2007 Pfeiffer ..... D26/28
- D553,269 S \* 10/2007 Pfeiffer et al. .... D26/28
- D560,292 S \* 1/2008 Sato ..... D26/28
- D561,357 S \* 2/2008 Leclercq et al. .... D26/28
- D565,211 S \* 3/2008 Haller et al. .... D26/28

(Continued)

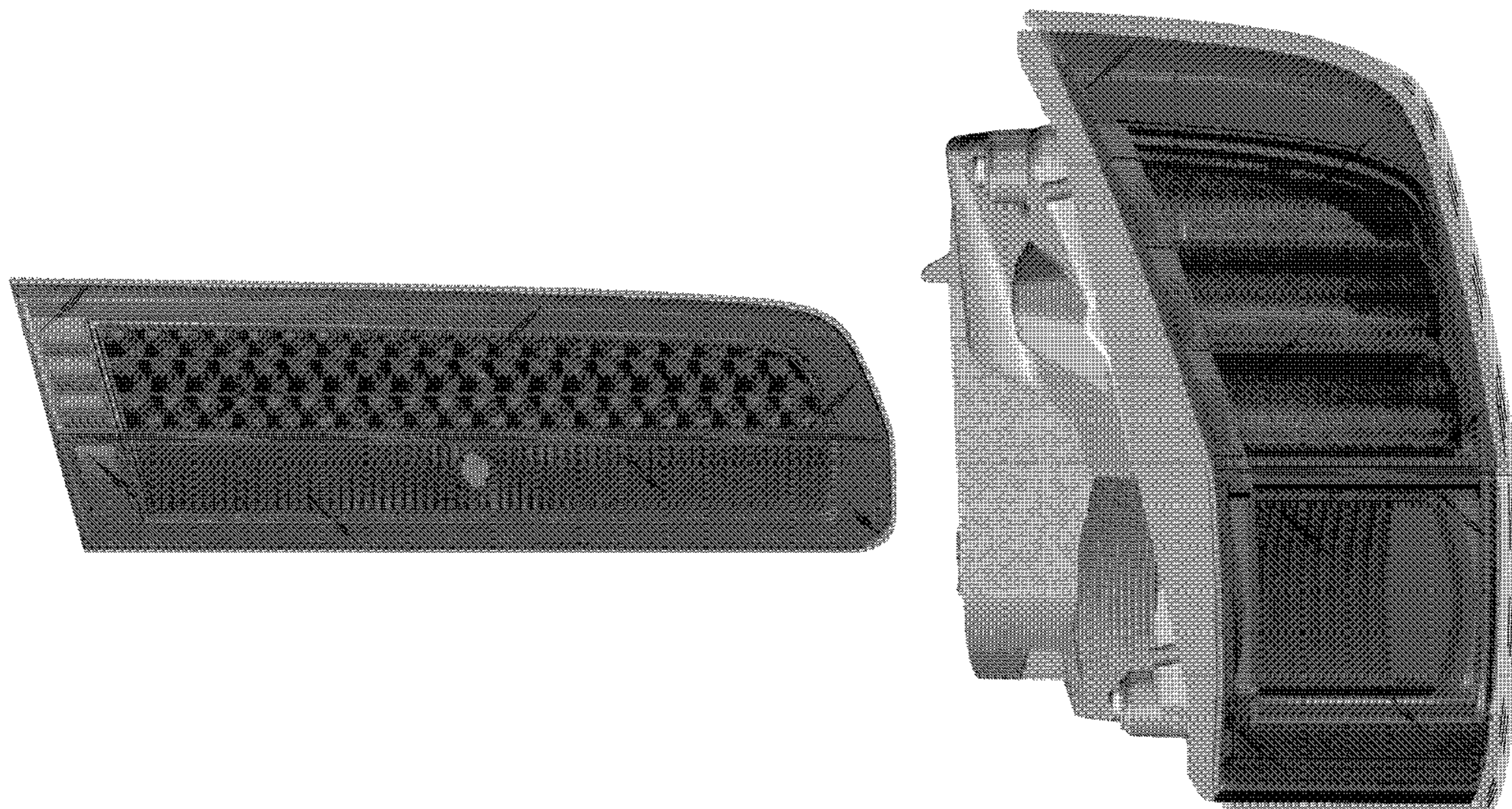
**OTHER PUBLICATIONS**

Detroit Auto Show: A conversation with Peter Horbury, Detroit 2007, <http://www.autoblog.com> (18 pages).

(Continued)

*Primary Examiner*—Marcus A Jackson

**1 Claim, 6 Drawing Sheets**





# US D622,426 S

Page 2

---

## U.S. PATENT DOCUMENTS

D570,015 S \* 5/2008 Hsu ..... D26/28  
D574,524 S \* 8/2008 Tomatsu ..... D26/28

## OTHER PUBLICATIONS

Cheers & Gears Forums > New Lincoln Flagship Planned <http://www.cheersandgears.com>. (1 page).  
Straightline —Spy Photos: 2009 Lincoln MKS <http://blogs.edmunds.com> (2 pages).  
Jalopnik: Obsessed With the Cult Of Cars <http://jalopnik.com> (10 pages).  
Jalopnik photos (3 pages).  
Spy Photos: 2009 Lincoln MKS from New Batman Movie <http://jalopnik.com> (2 pages).

Lincoln Concept MKR, Detroit 2007 (4 pages).  
Ford Motor Company Lincoln MKS Side View Photo —Motor Trend Magazine <http://www.motortrend.com> (3 pages).  
Reader Spycam: 2009 Lincoln MKS <http://blogs.motortrend.com> (5 pages).  
Popular Mechanics, Lincoln MKS, Town Car Successor, May 21, 2007 <http://www.popularmechanics.com> (1 page).  
Winding Road, Spied: Lincoln MKS Sedan, Apr. 18, 2007 <http://news.windingroad.com> (2 pages).  
Lincoln Concept Zephyr, Detroit 2005 (4 pages).  
Lincoln Concept MKS, Detroit 2006 (4 pages).  
Lincoln MKS AWD (P) 4dr Sedan, New York 2007 (4 pages).

\* cited by examiner



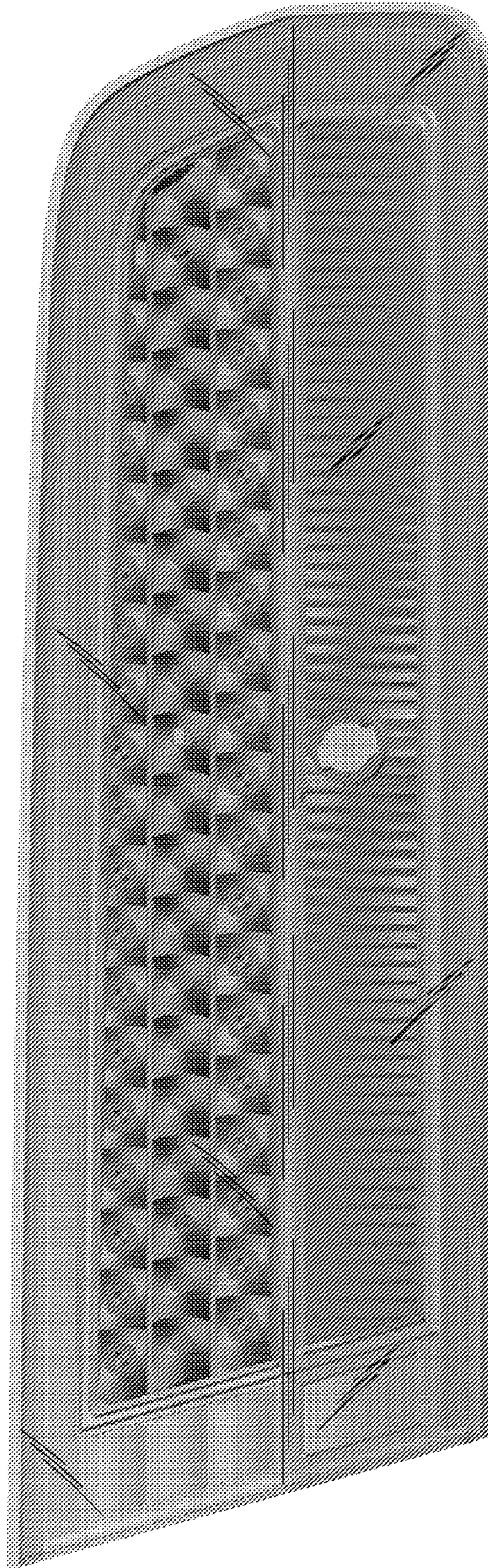
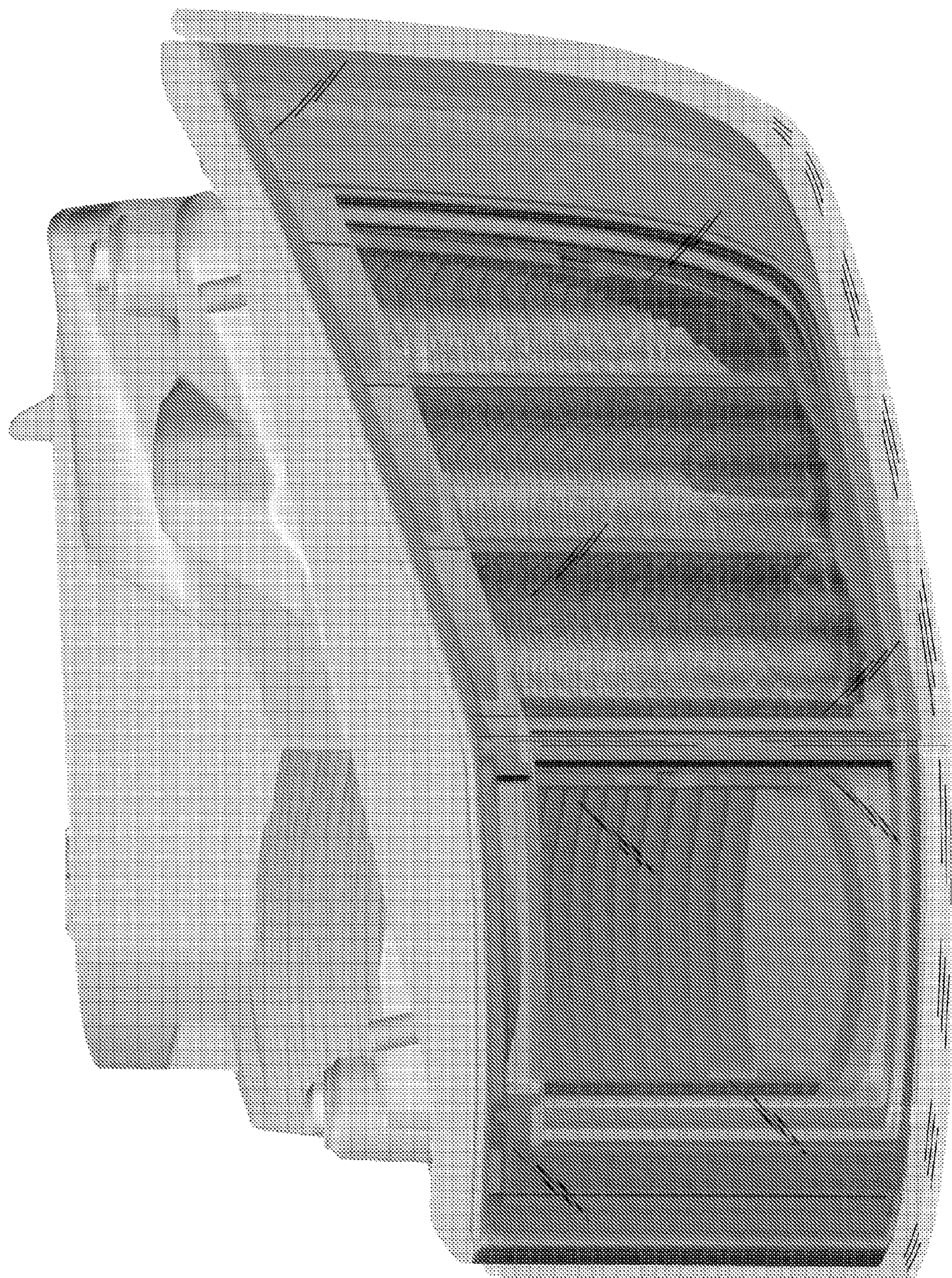


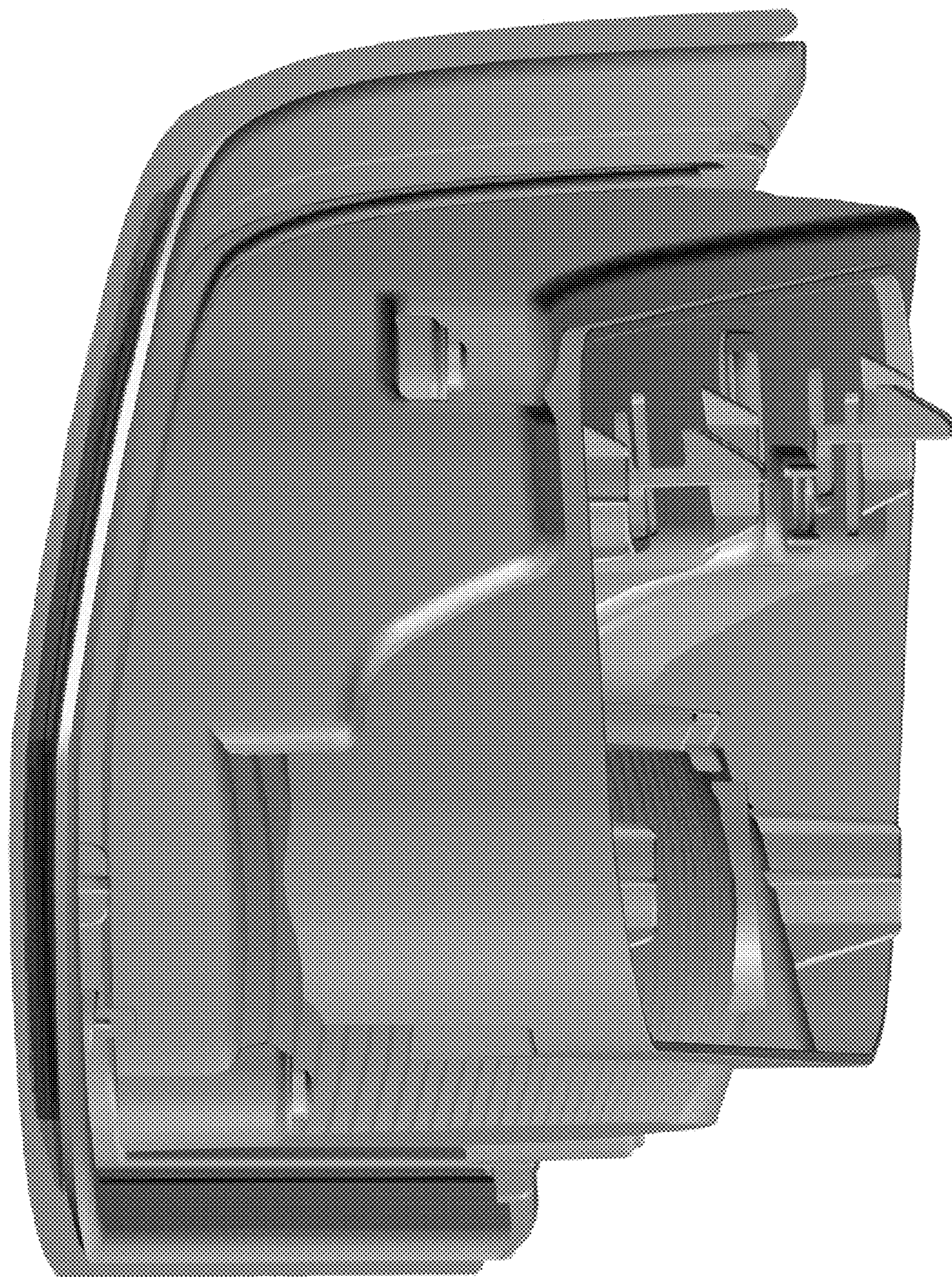
Figure 1





*Figure 2*





*Figure 3*



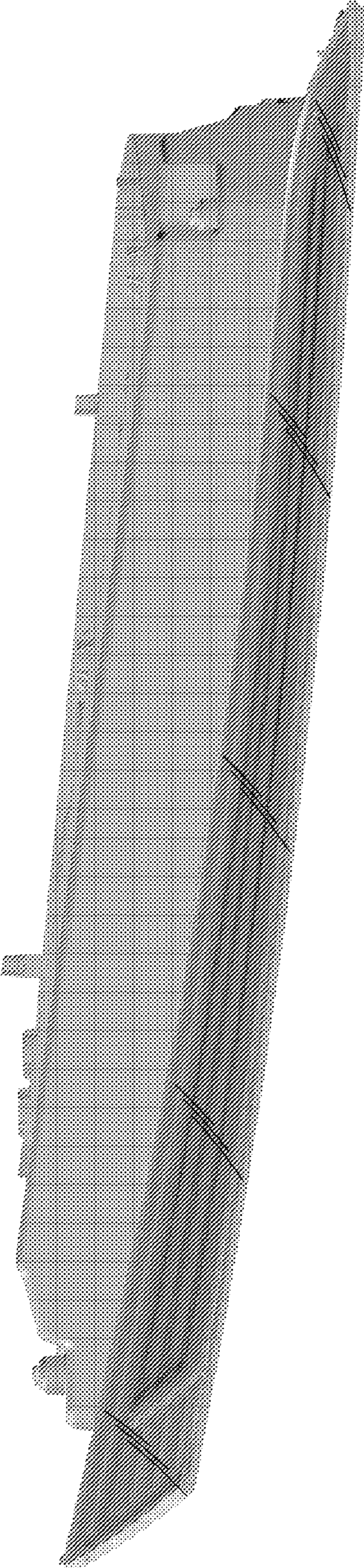


Figure 4

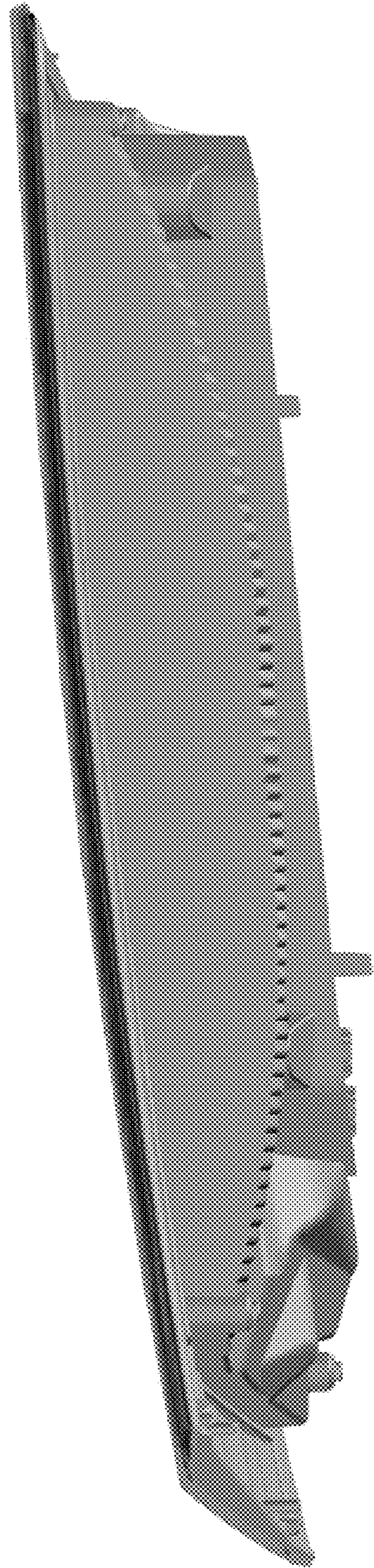


Figure 5



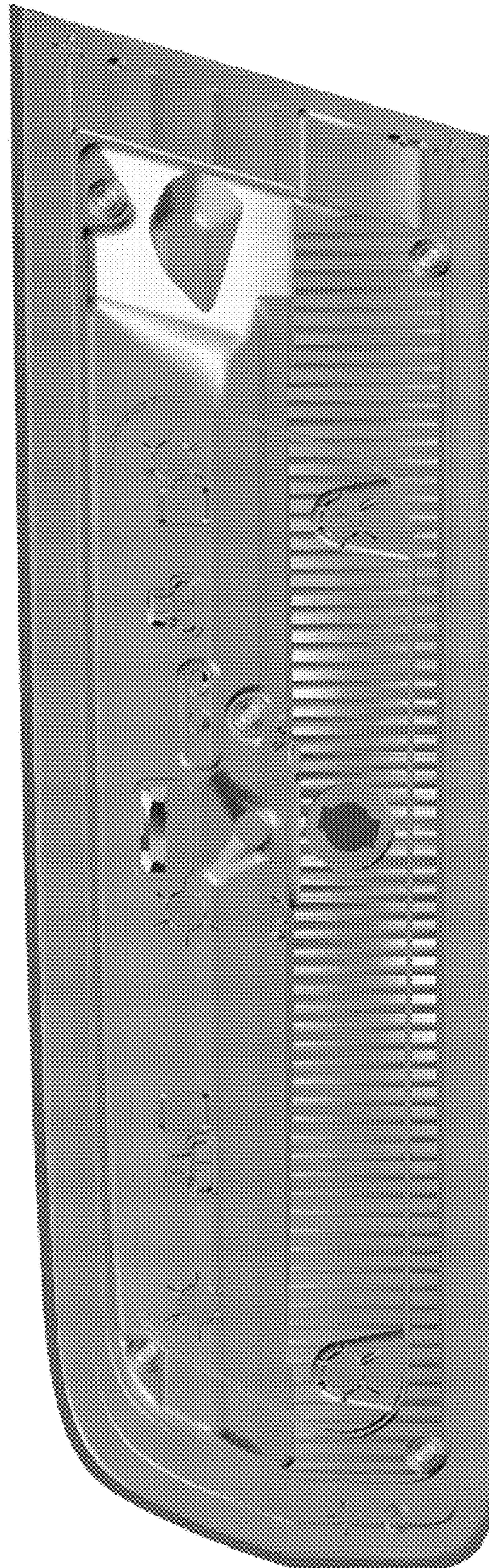


Figure 6