



US00D622418S

(12) **United States Design Patent**
Prins

(10) **Patent No.:** **US D622,418 S**

(45) **Date of Patent:** **** Aug. 24, 2010**

(54) **TITLE**

(75) Inventor: **John Prins**, Petrolia (CA)

(73) Assignee: **SOF Surfaces Inc.**, Petrolia, Ontario (CA)

(**) Term: **14 Years**

(21) Appl. No.: **29/315,883**

(22) Filed: **Aug. 3, 2009**

(51) **LOC (9) Cl.** **25-01**

(52) **U.S. Cl.** **D25/138**

(58) **Field of Classification Search** D25/142,
D25/138, 139, 141, 143, 160; D6/561, 510;
52/745.19, 533, 519, 523, 544, 98, 521, 90.1;
248/222.12, 225.11; 428/122, 126, 130;
404/19

See application file for complete search history.

(56) **References Cited**

U.S. PATENT DOCUMENTS

D94,281	S *	1/1935	Rocic	D25/156
4,572,700	A *	2/1986	Mantarro et al.	404/35
5,509,244	A *	4/1996	Bentzon	52/387
5,713,755	A *	2/1998	Koopman et al.	439/378
6,119,998	A *	9/2000	Anselmo	248/346.11
D457,254	S *	5/2002	Stepanchick	D25/113
D470,243	S *	2/2003	Aurelius	D25/113
D500,739	S *	1/2005	Nishida et al.	D13/147
6,954,975	B2 *	10/2005	Dolinski	29/428
D526,620	S *	8/2006	Meister	D13/147

* cited by examiner

Primary Examiner—Robert M Spear
Assistant Examiner—Cynthia Underwood

(74) *Attorney, Agent, or Firm*—Riches, McKenzie & Herbert LLP

(57) **CLAIM**

I claim the ornamental design for a tile, as shown.

DESCRIPTION

FIG. 1—is a front view of a tile showing my new design;

FIG. 2—is a top view thereof;

FIG. 3—is a left side view thereof;

FIG. 4—is a right side view thereof;

FIG. 5—is a rear view thereof;

FIG. 6—is a bottom view thereof;

FIG. 7—is a top perspective view thereof;

FIG. 8—is a bottom perspective view thereof;

FIG. 9—is a front view of a tile showing a second embodiment of my new design;

FIG. 10—is a top view of a tile showing a second embodiment of my new design;

FIG. 11—is a left side view of a tile showing a second embodiment of my new design;

FIG. 12—is a right side view of a tile showing a second embodiment of my new design;

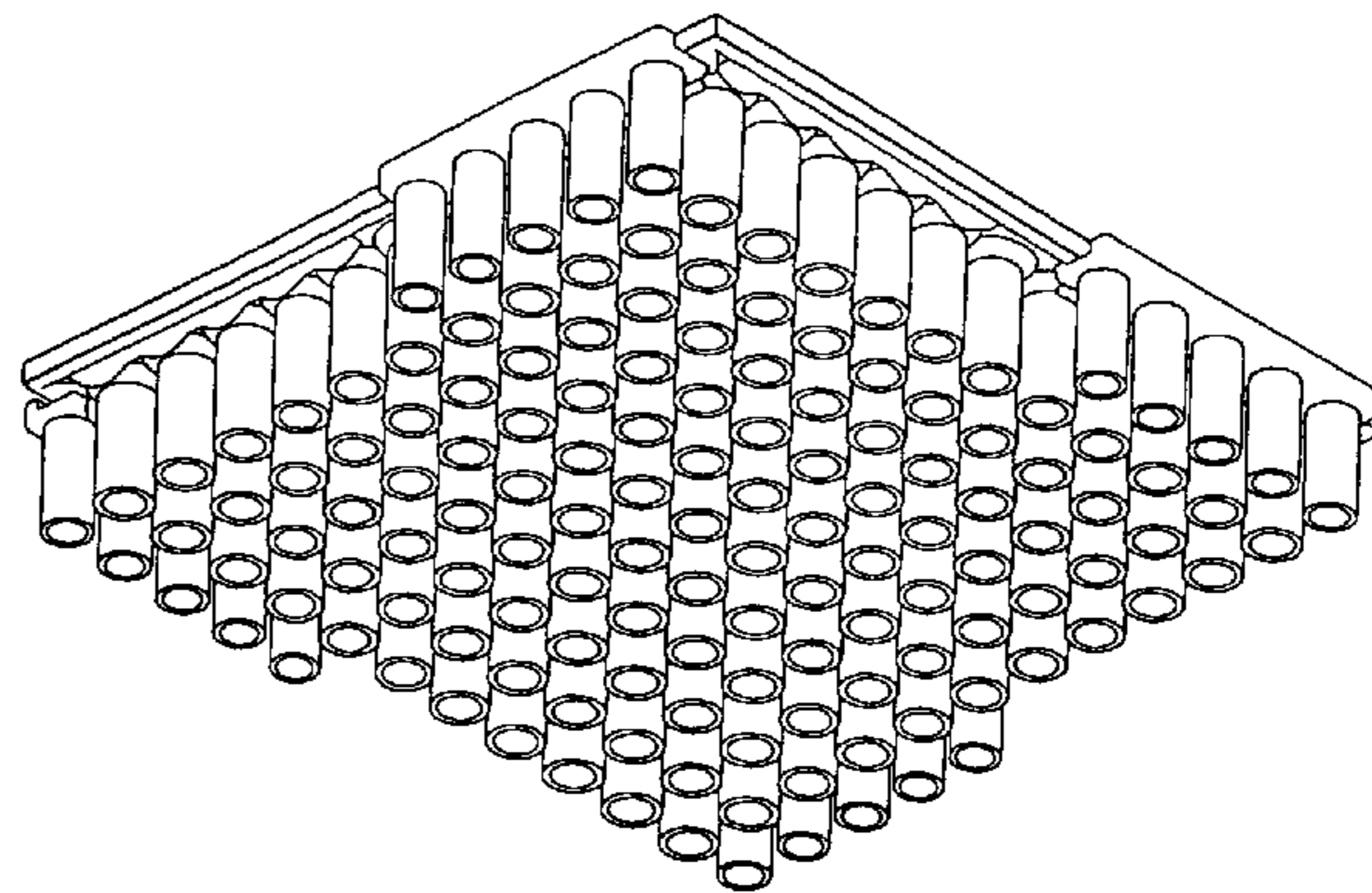
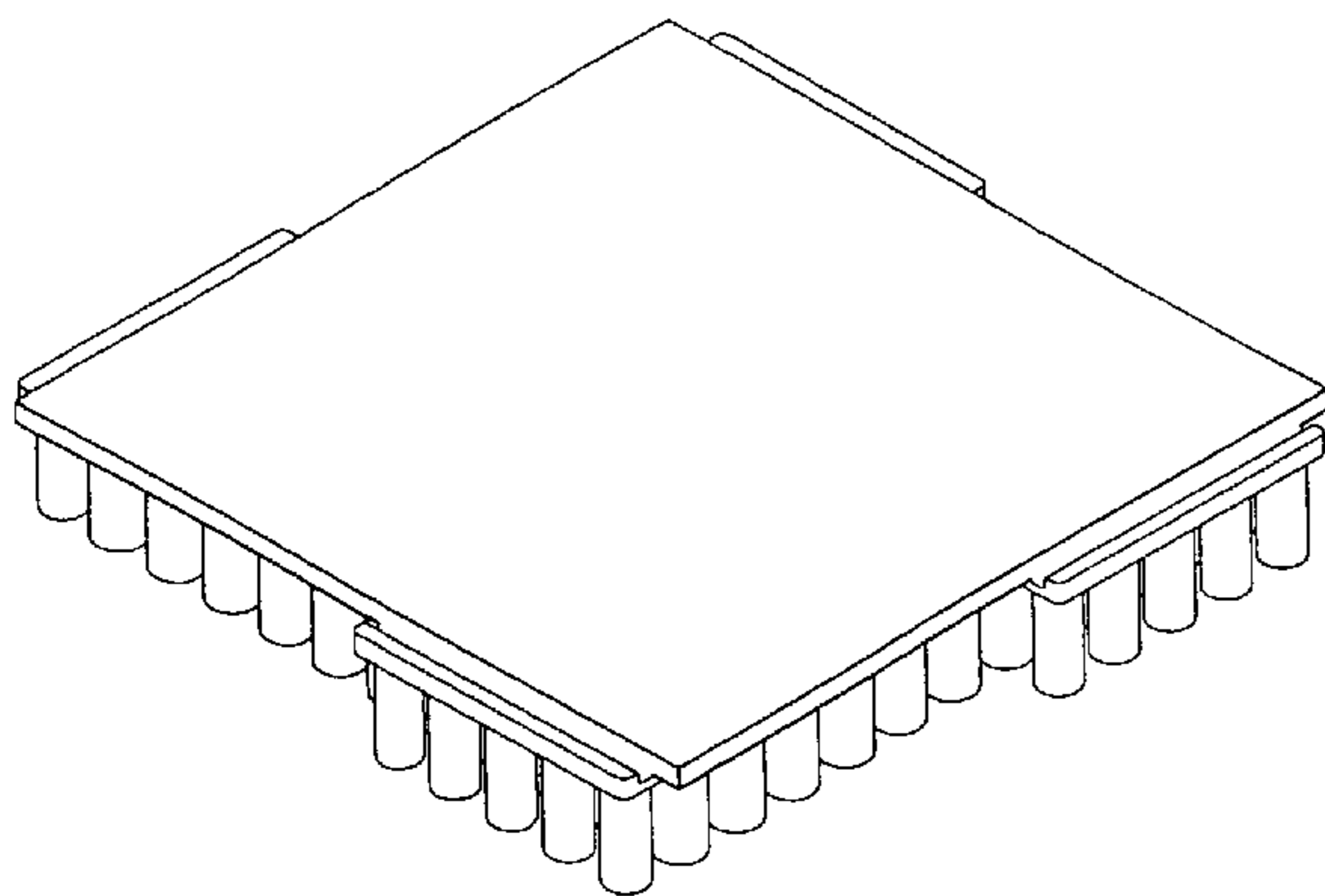
FIG. 13—is a rear view of a tile showing a second embodiment of my new design;

FIG. 14—is a bottom view of a tile showing a second embodiment of my new design;

FIG. 15—is a top perspective view of a tile showing a second embodiment of my new design; and,

FIG. 16—is a bottom perspective side view of a tile showing a second embodiment of my new design.

1 Claim, 8 Drawing Sheets



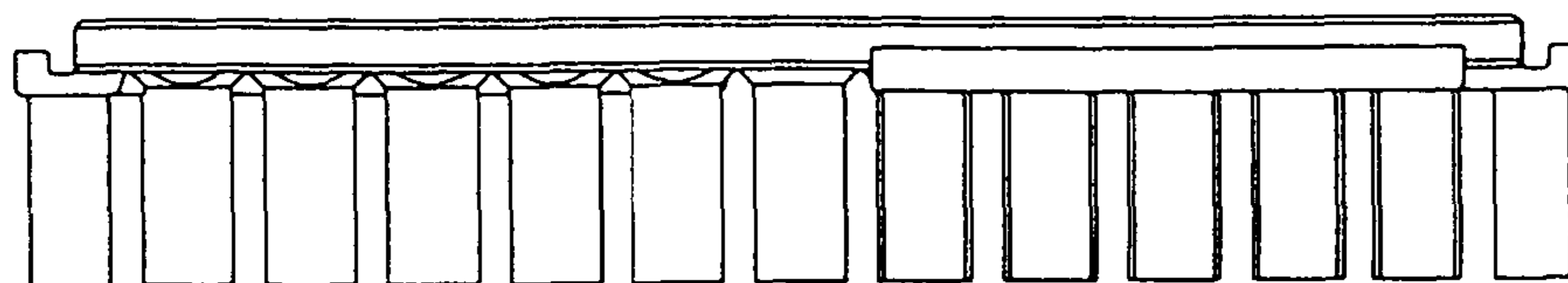


FIG. 1

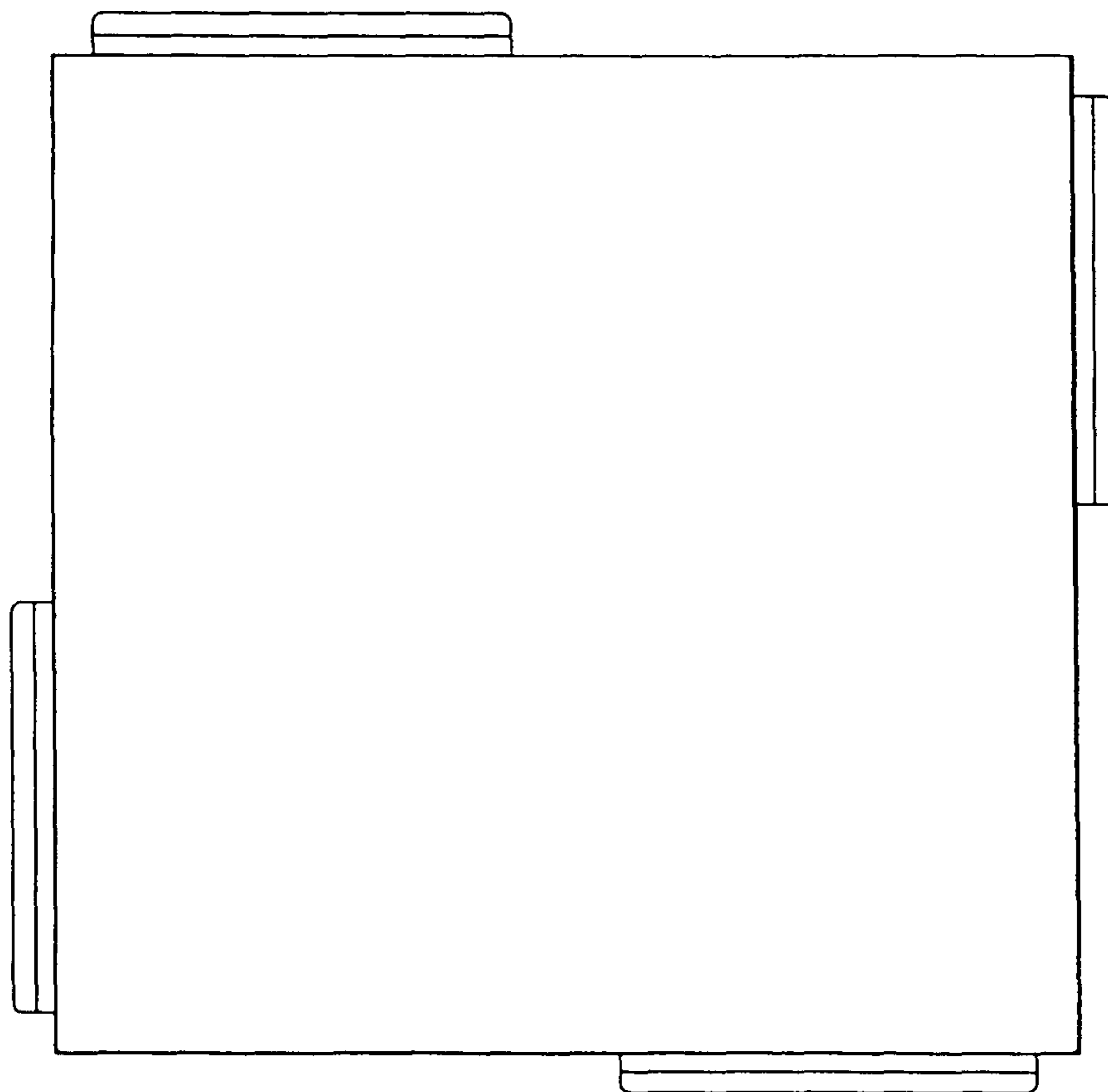


FIG. 2

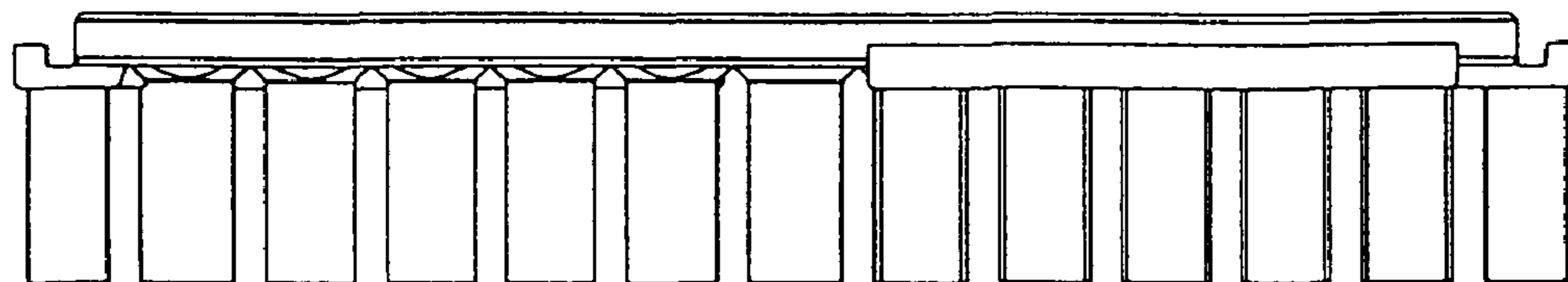


FIG. 3

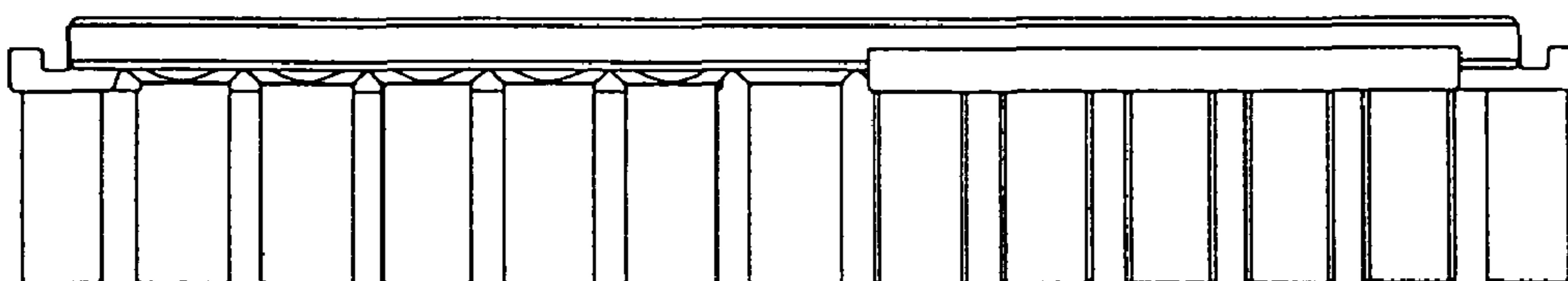


FIG. 4

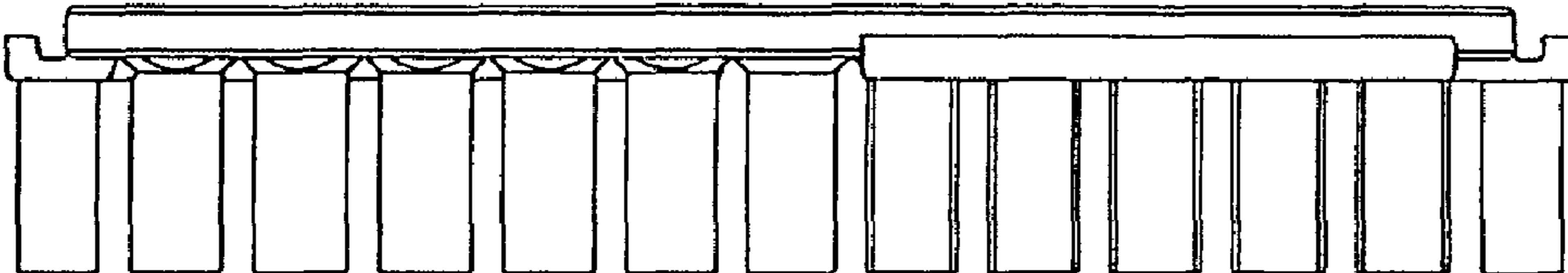


FIG. 5

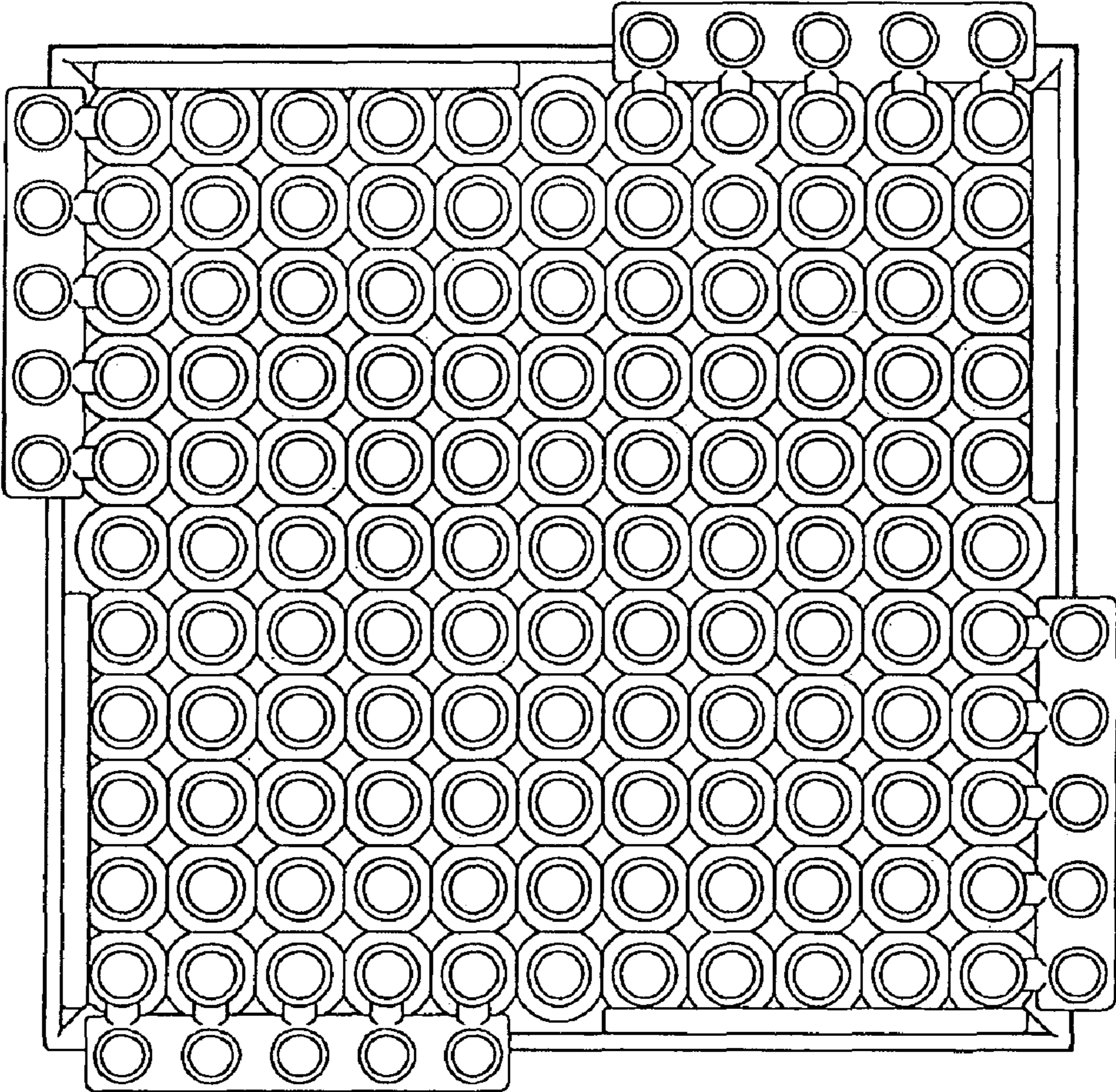


FIG. 6

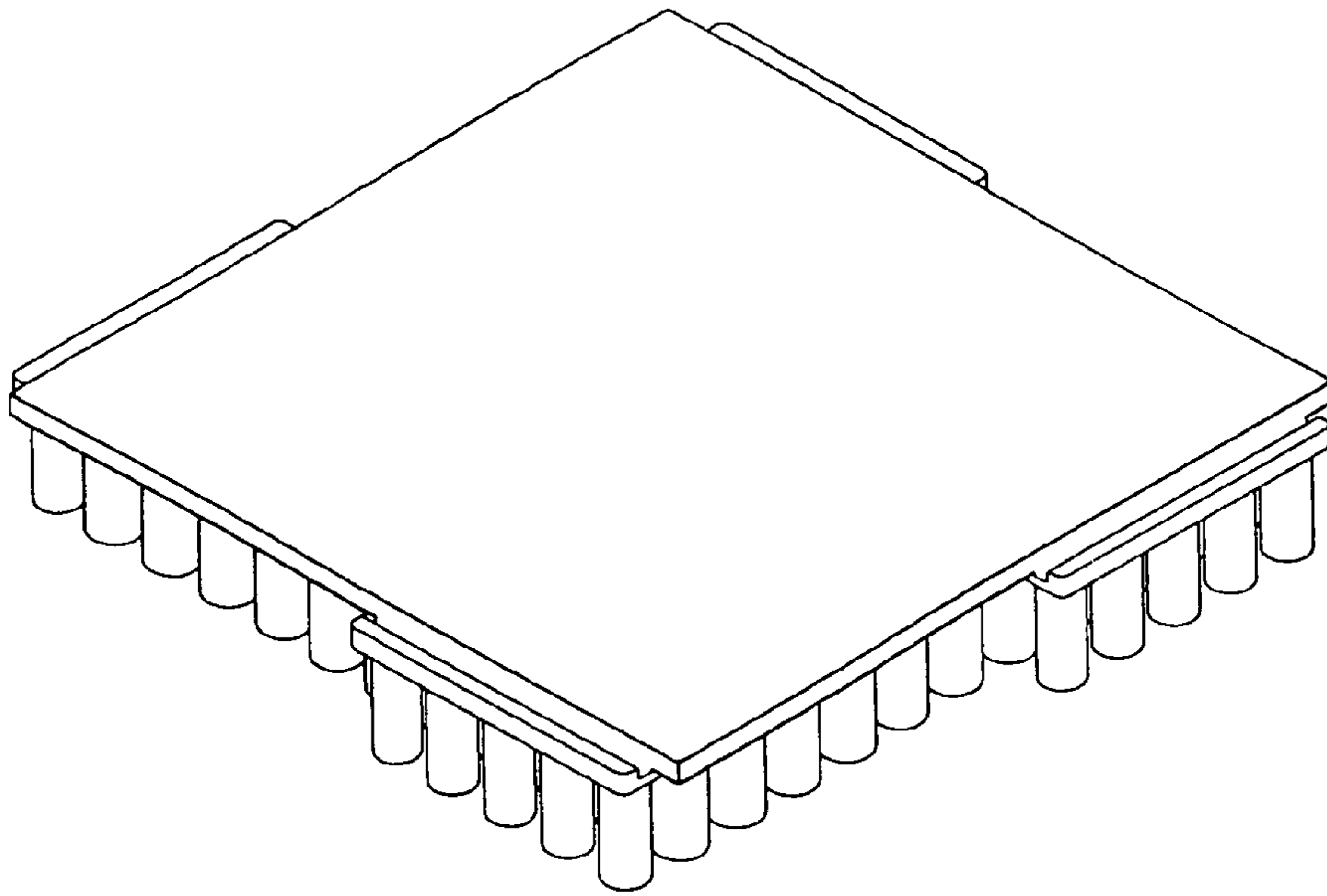


FIG. 7

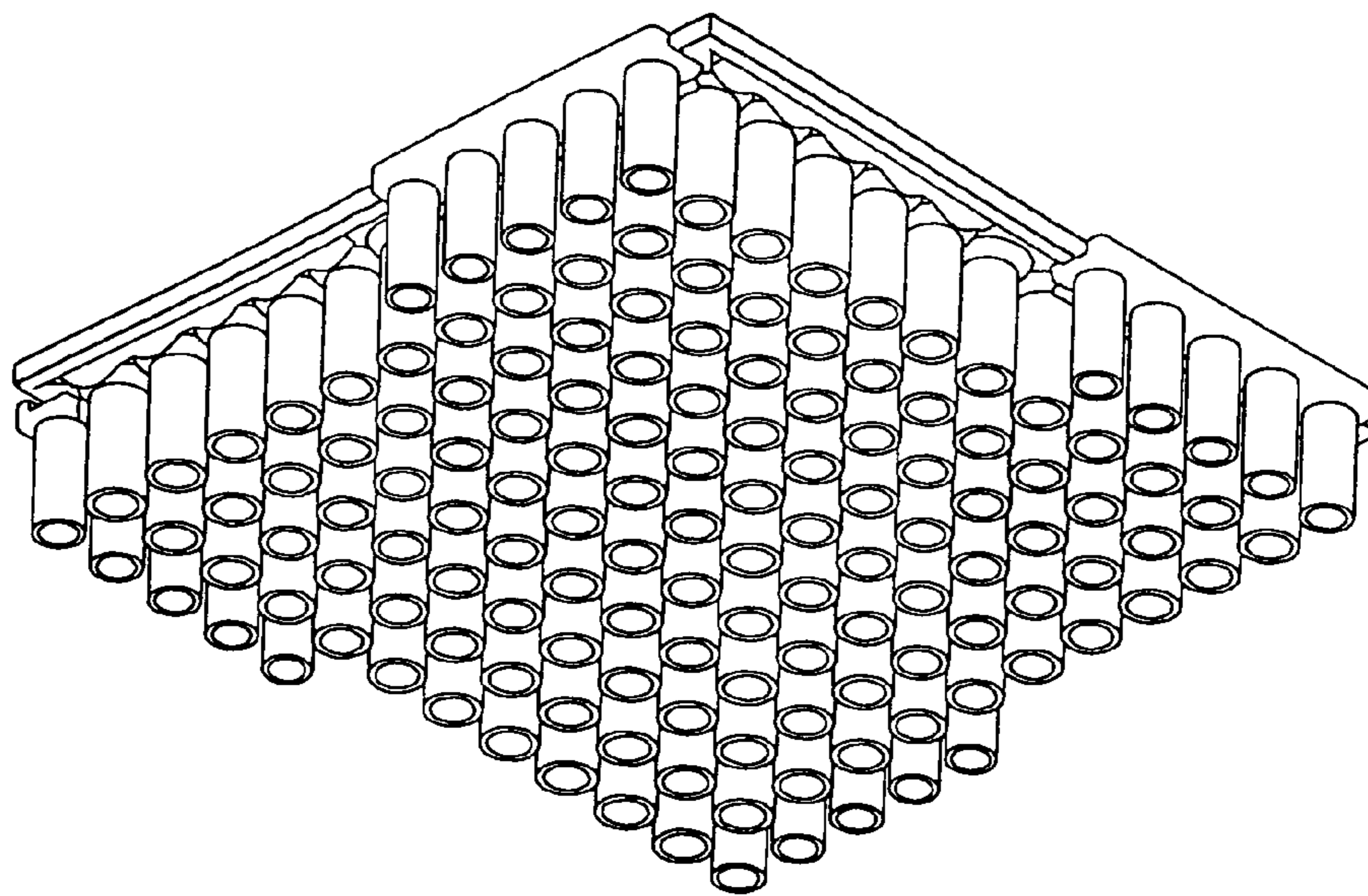


FIG. 8

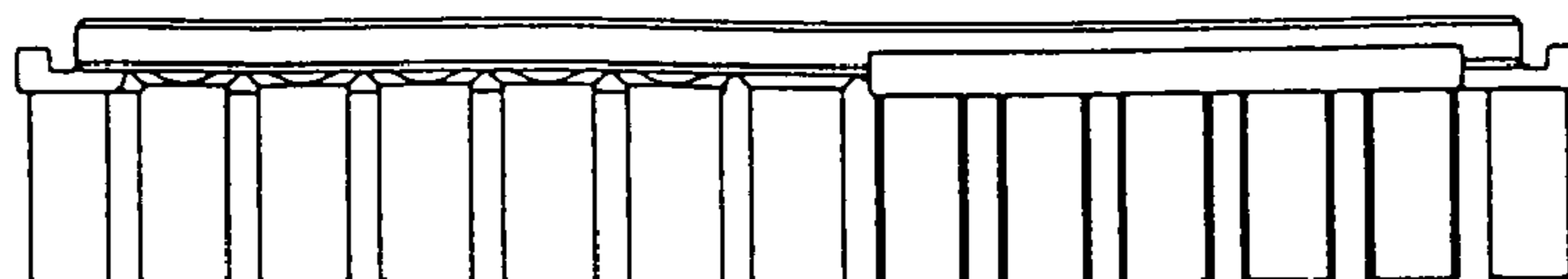


FIG. 9

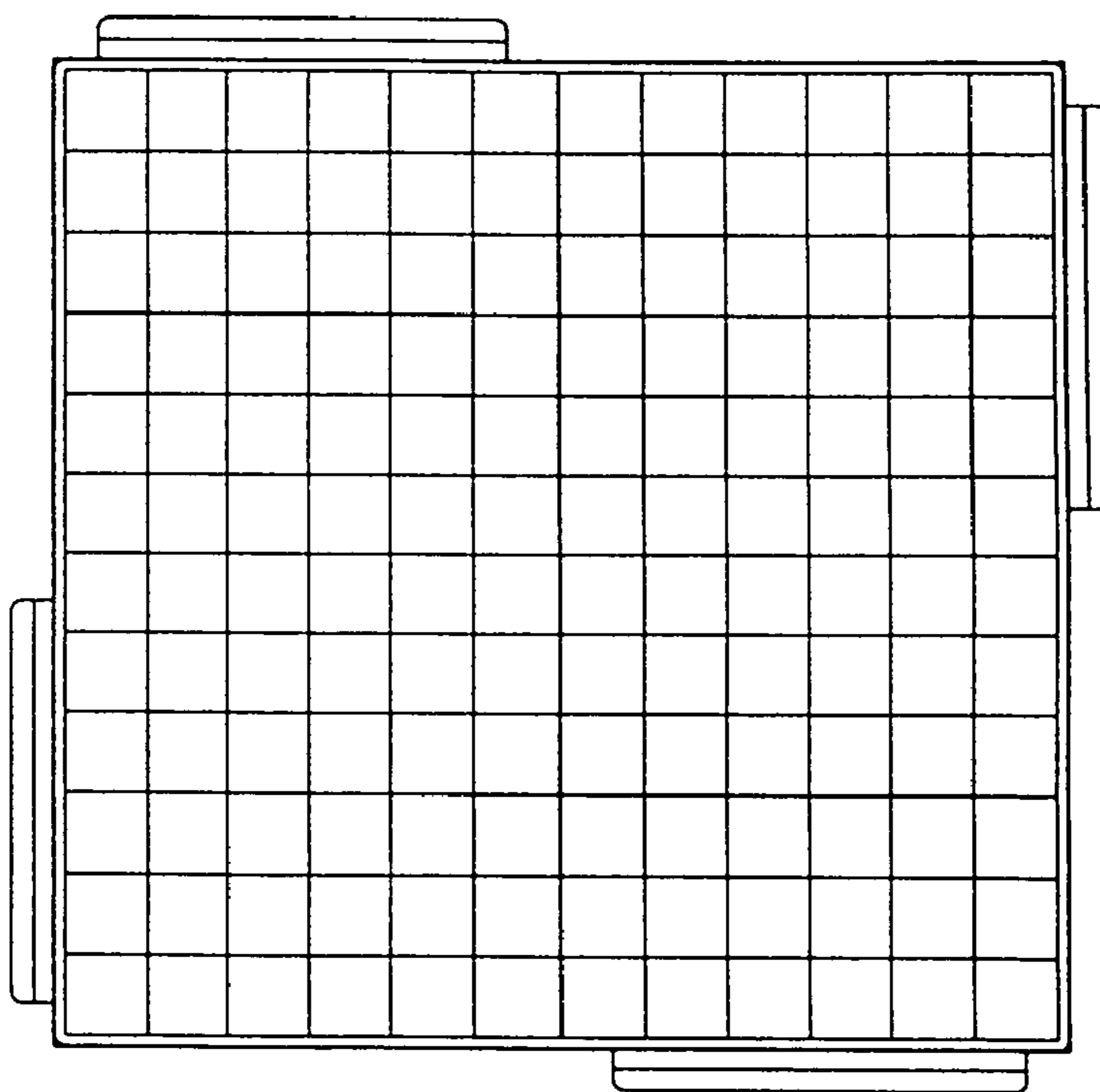


FIG. 10

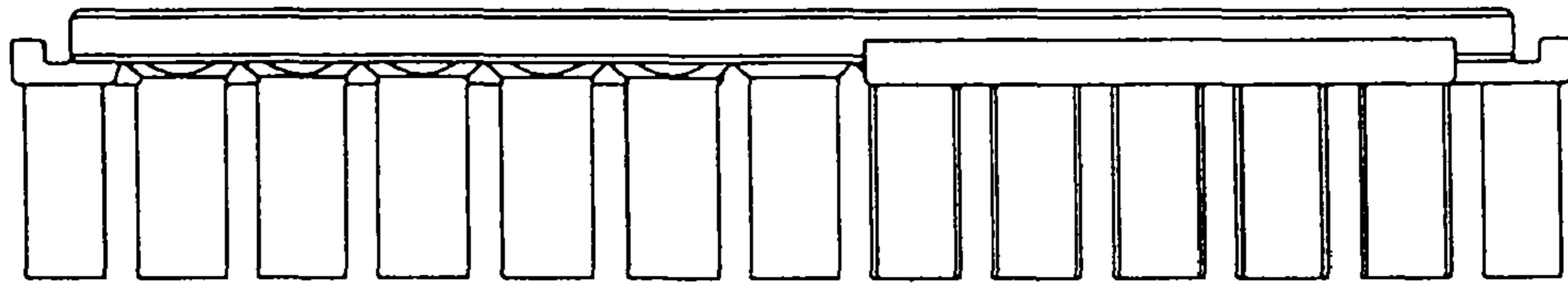


FIG. 11

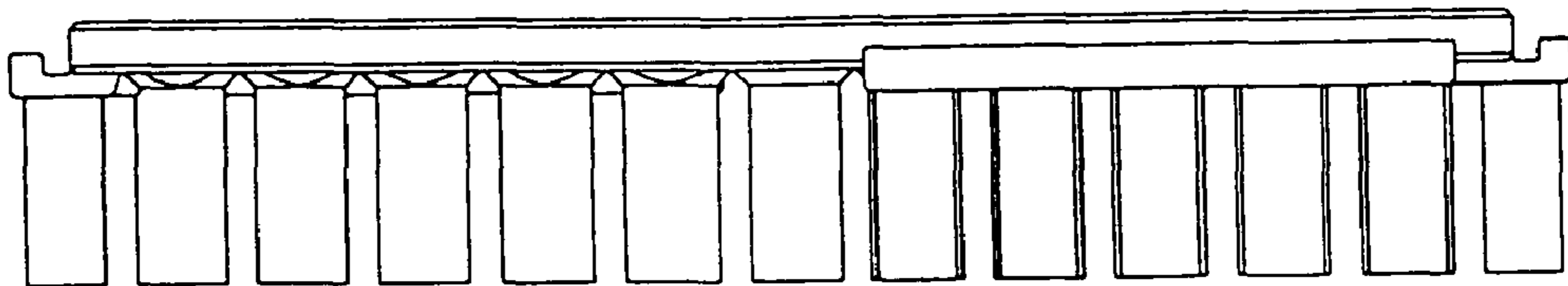


FIG. 12

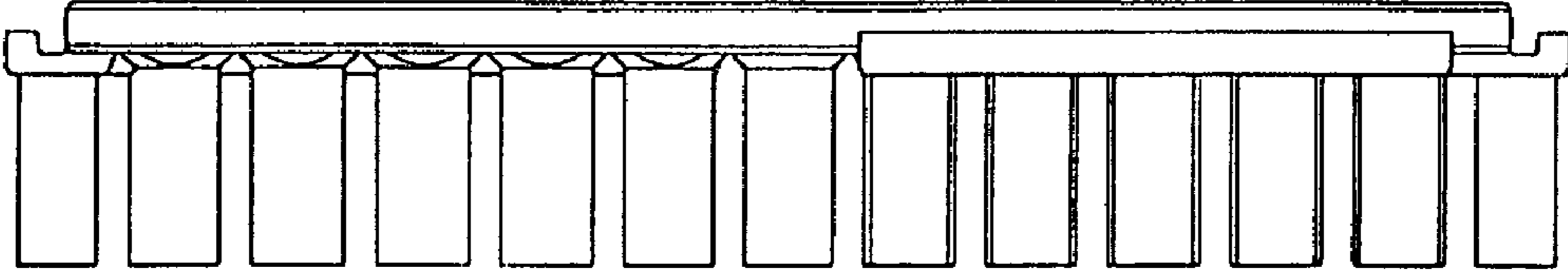


FIG. 13

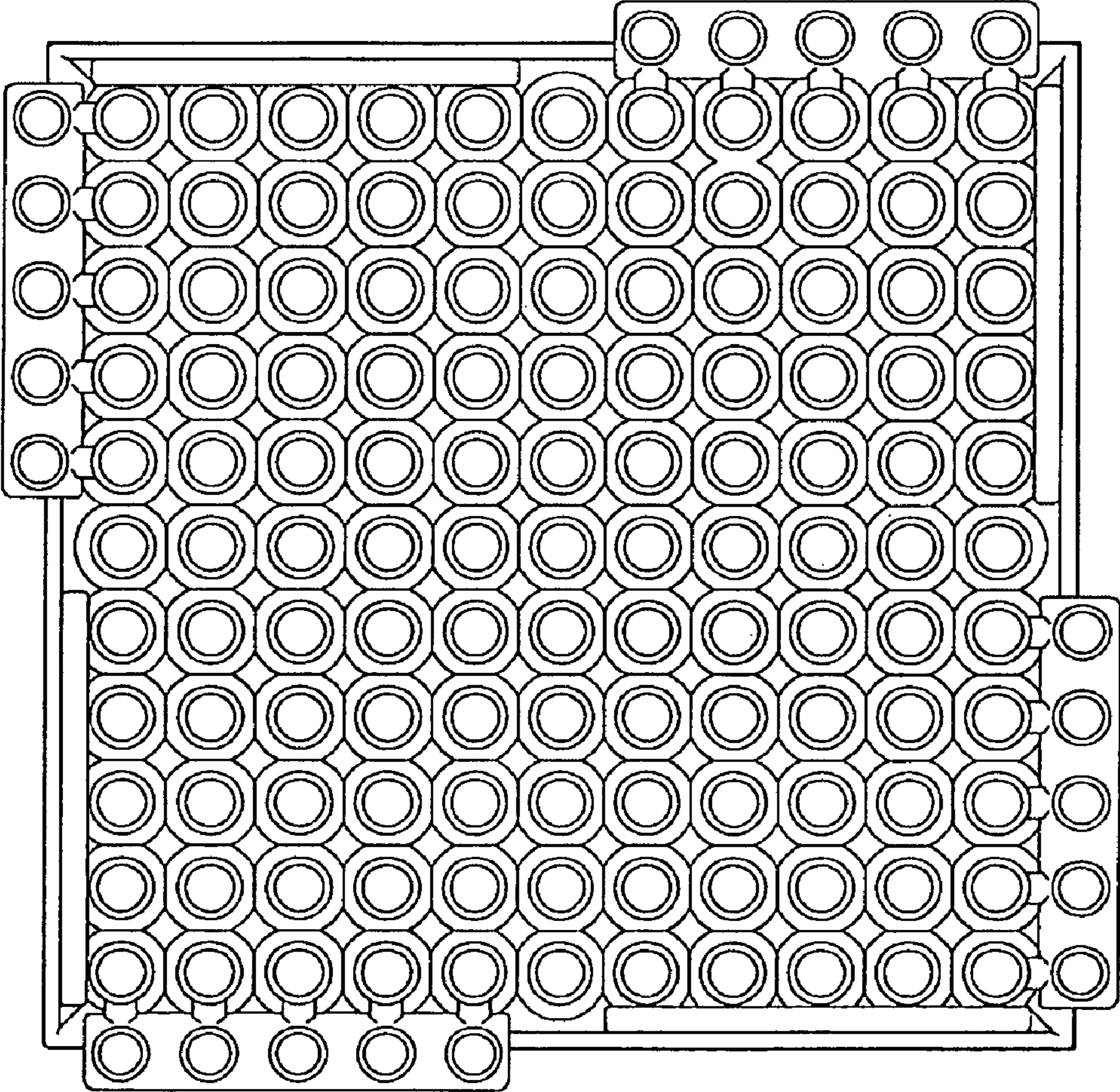


FIG. 14

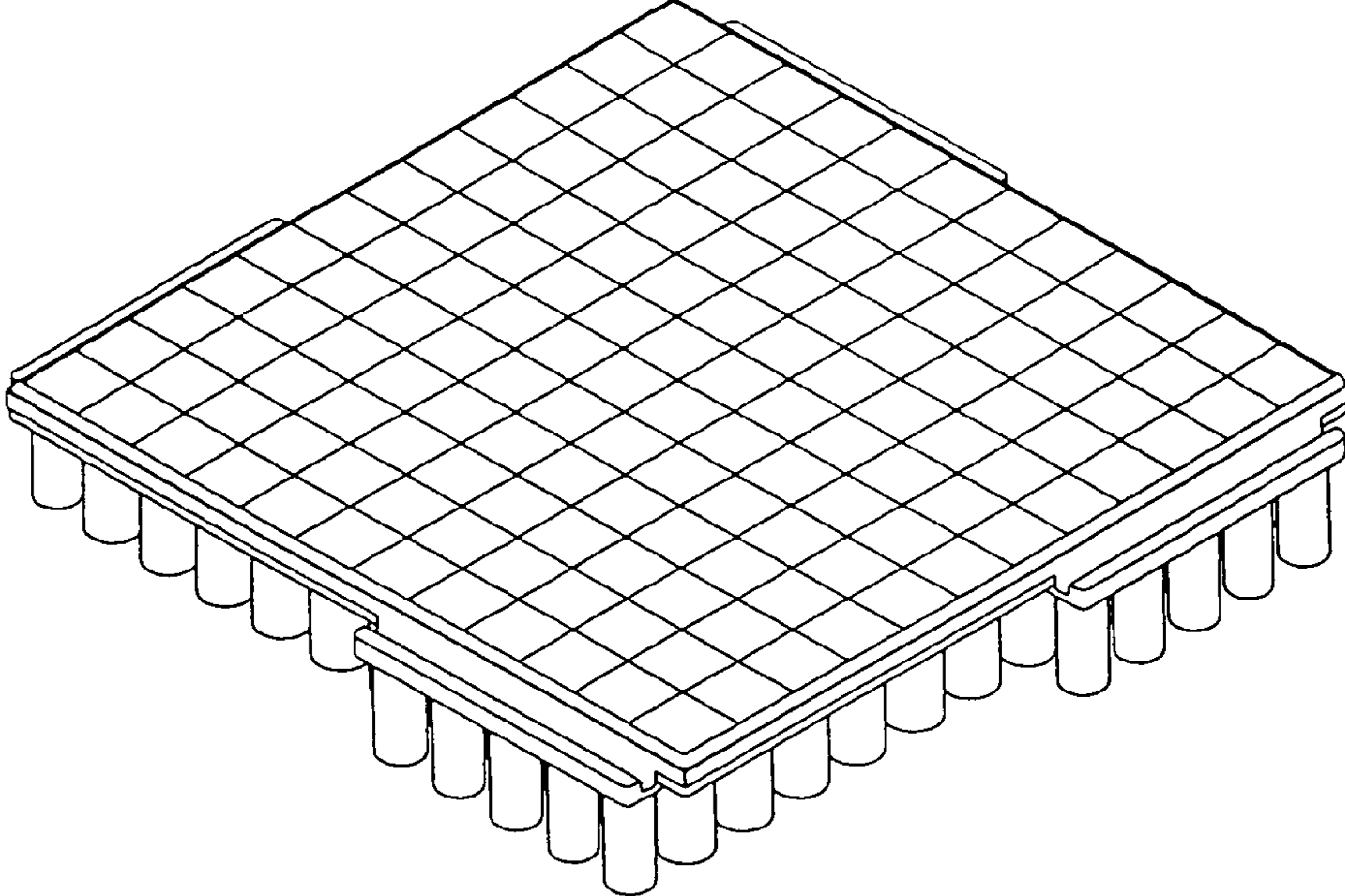


FIG. 15

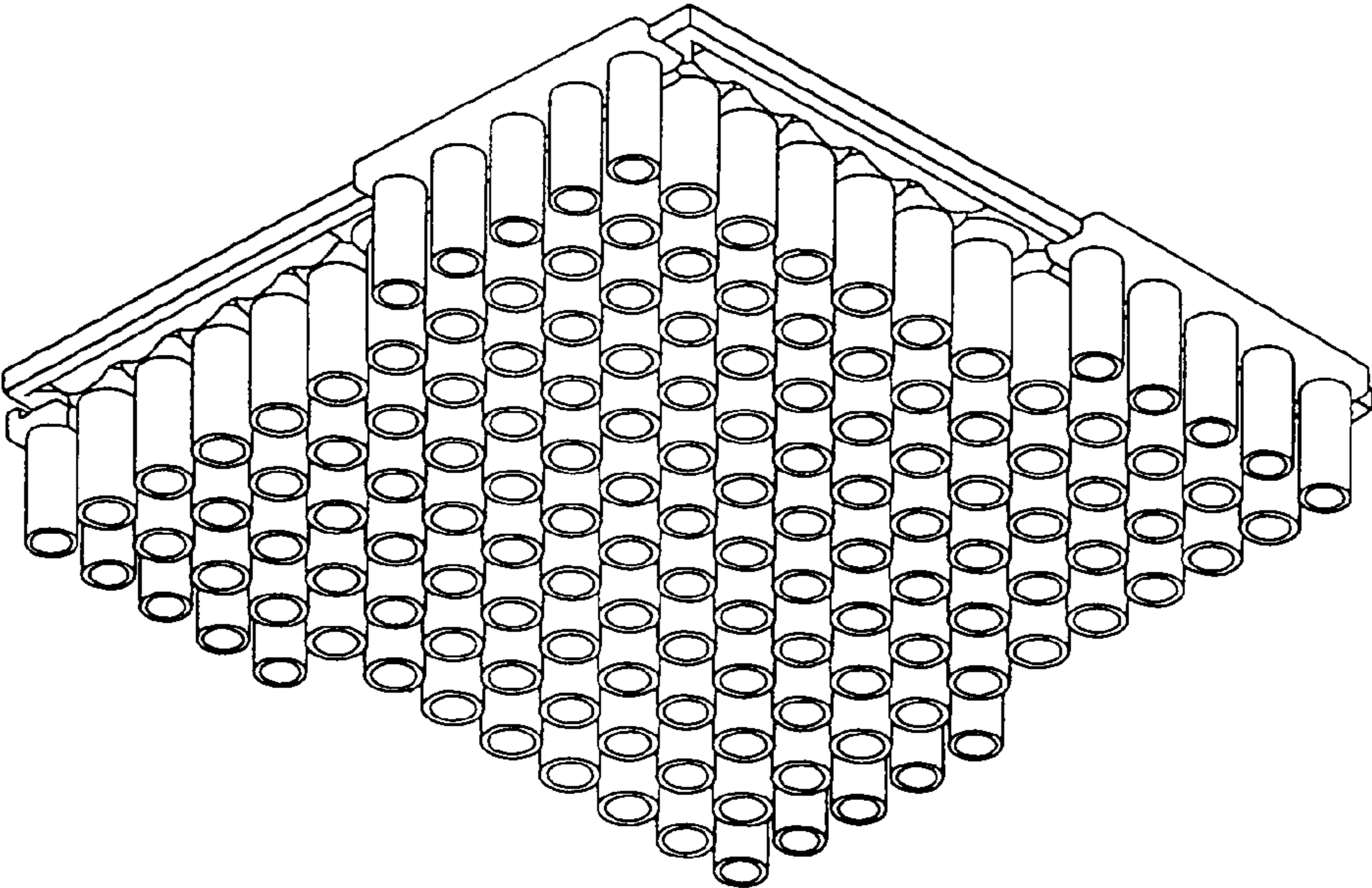


FIG. 16