



US00D622417S

(12) **United States Design Patent**
Ryan

(10) **Patent No.:** **US D622,417 S**

(45) **Date of Patent:** **** Aug. 24, 2010**

(54) **DECKING**

(75) Inventor: **Thomas G. Ryan**, North Huntingdon,
PA (US)

(73) Assignee: **Epic Metals Corporation**, Rankin, PA
(US)

(**) Term: **14 Years**

(21) Appl. No.: **29/353,274**

(22) Filed: **Jan. 6, 2010**

5,259,157 A	11/1993	Ault	
5,491,946 A	2/1996	Landis et al.	
5,913,784 A	6/1999	Hite	
D422,718 S *	4/2000	Chaney et al. D25/122
6,357,191 B1	3/2002	Ault et al.	
6,691,482 B1	2/2004	Ault	
6,813,864 B2	11/2004	Landis	
D507,665 S	7/2005	Ryan et al.	
D511,580 S	11/2005	Ryan et al.	
7,146,920 B1	12/2006	Ryan et al.	
D552,765 S	10/2007	Ault et al.	
7,328,667 B1	2/2008	Ryan et al.	
7,418,807 B1	9/2008	Ryan et al.	
2004/0079041 A1	4/2004	Bergeron et al.	

* cited by examiner

Related U.S. Application Data

(63) Continuation of application No. 29/332,908, filed on
Feb. 27, 2009, now Pat. No. Des. 608,464.

Primary Examiner—Doris Clark

(74) *Attorney, Agent, or Firm*—The Webb Law Firm

(51) **LOC (9) Cl.** **25-01**

(52) **U.S. Cl.** **D25/122**

(58) **Field of Classification Search** 52/579,
52/520, 87, 181, 177; 405/201, 4; D25/122;
119/480, 525, 529, 530

See application file for complete search history.

(57) **CLAIM**

The ornamental design for decking, as shown and described.

DESCRIPTION

FIG. 1 is a top front perspective view of the decking;

FIG. 2 is a front elevational view thereof, the rear being
identical thereto;

FIG. 3 is a top plan view thereof;

FIG. 4 is a bottom plan view thereof;

FIG. 5 is a right side elevational view thereof;

FIG. 6 is a left side elevational view thereof; and,

FIG. 7 is a top front perspective view thereof.

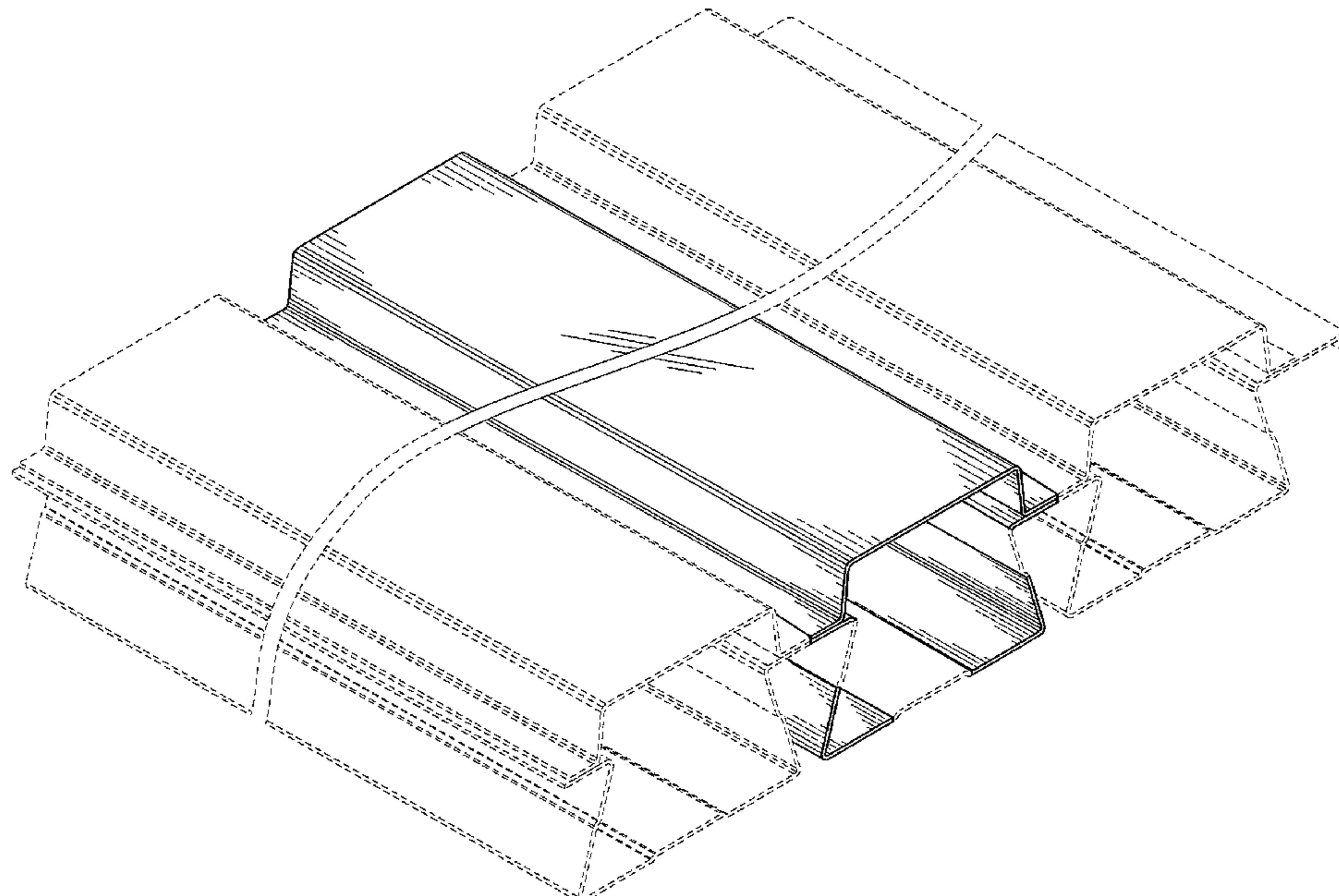
The decking has been broken in the center to indicate indefi-
nite length. The broken lines are for illustrative purposes only
and form no part of the claimed design.

(56) **References Cited**

U.S. PATENT DOCUMENTS

3,230,931 A *	1/1966	Taylor et al. 119/529
3,707,088 A	12/1972	King et al.	
3,713,261 A	1/1973	Landis et al.	
D238,898 S	2/1976	Landis et al.	
3,967,426 A	7/1976	Ault et al.	
3,995,593 A *	12/1976	Bowser 119/529
4,454,692 A	6/1984	Ault	
4,507,900 A	4/1985	Landis	
4,685,264 A	8/1987	Landis	
5,172,527 A	12/1992	Ault	
5,205,098 A	4/1993	Landis et al.	

1 Claim, 7 Drawing Sheets



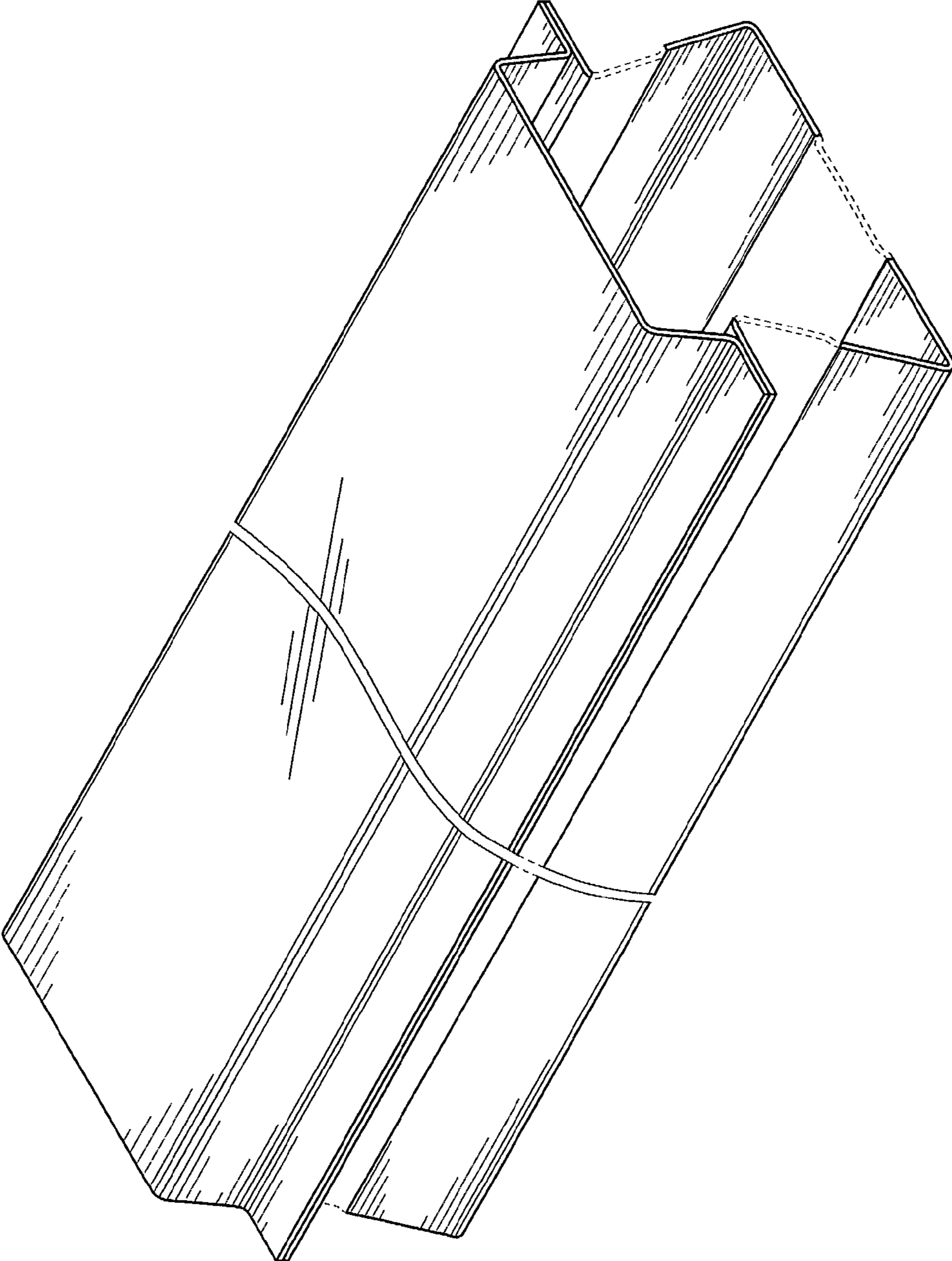


FIG. 1

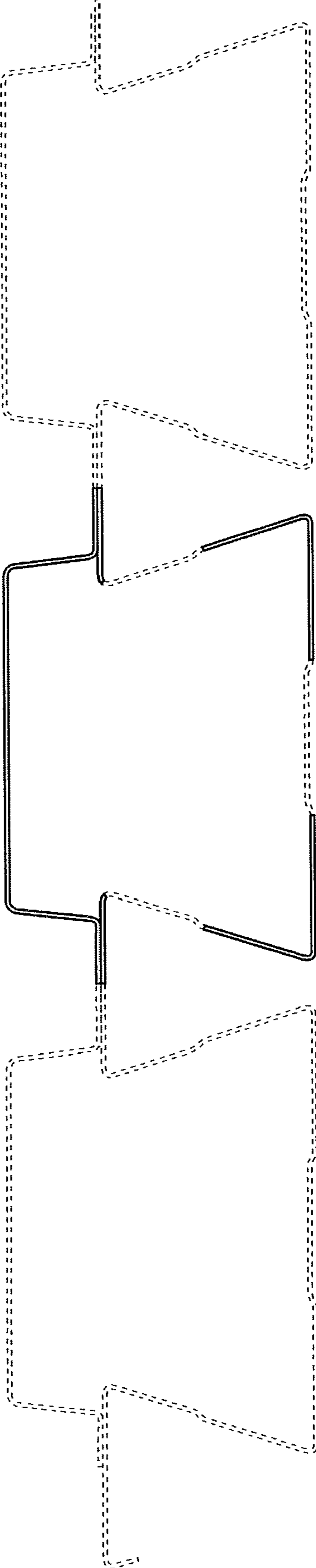


FIG. 2

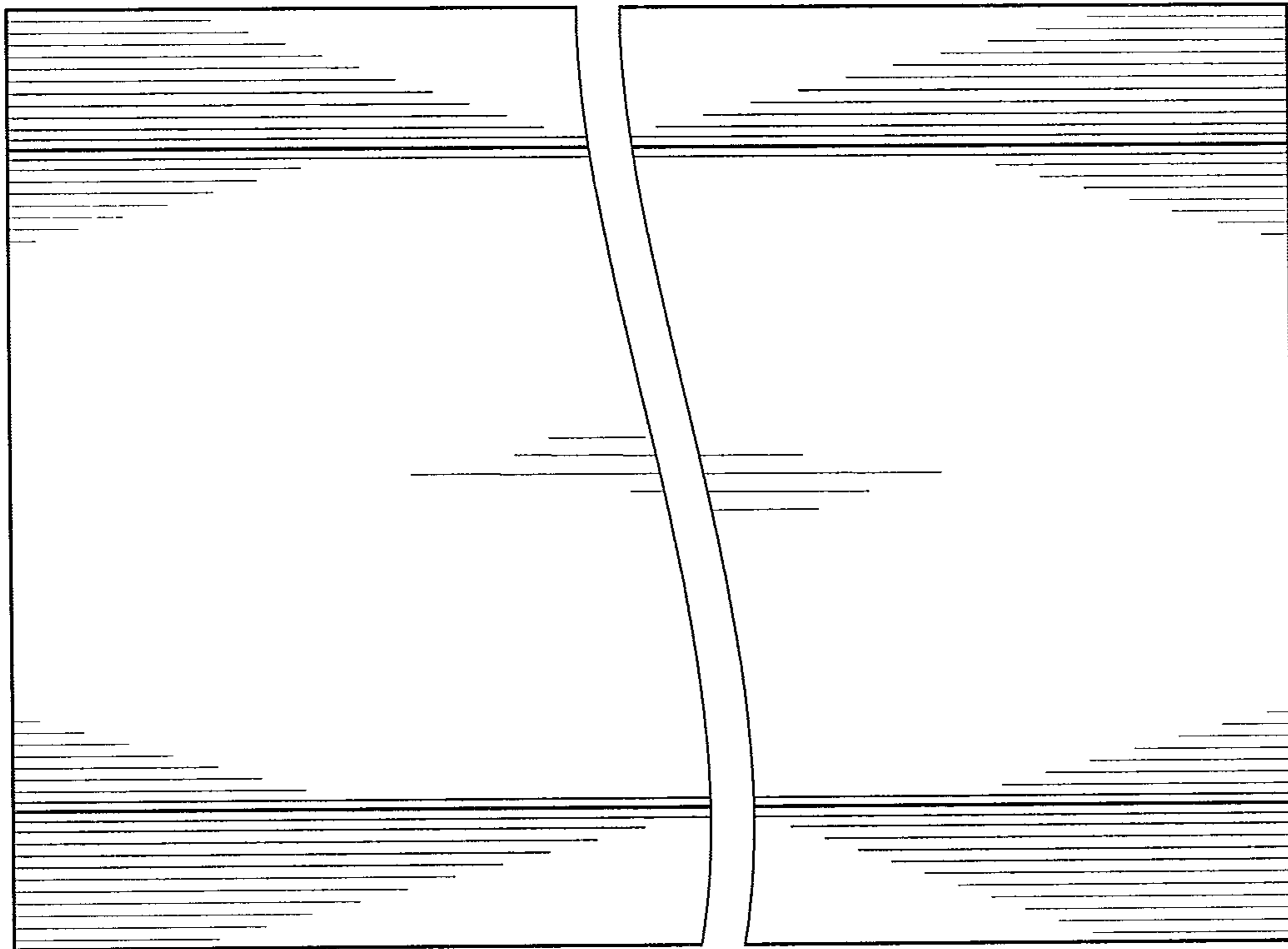


FIG. 3

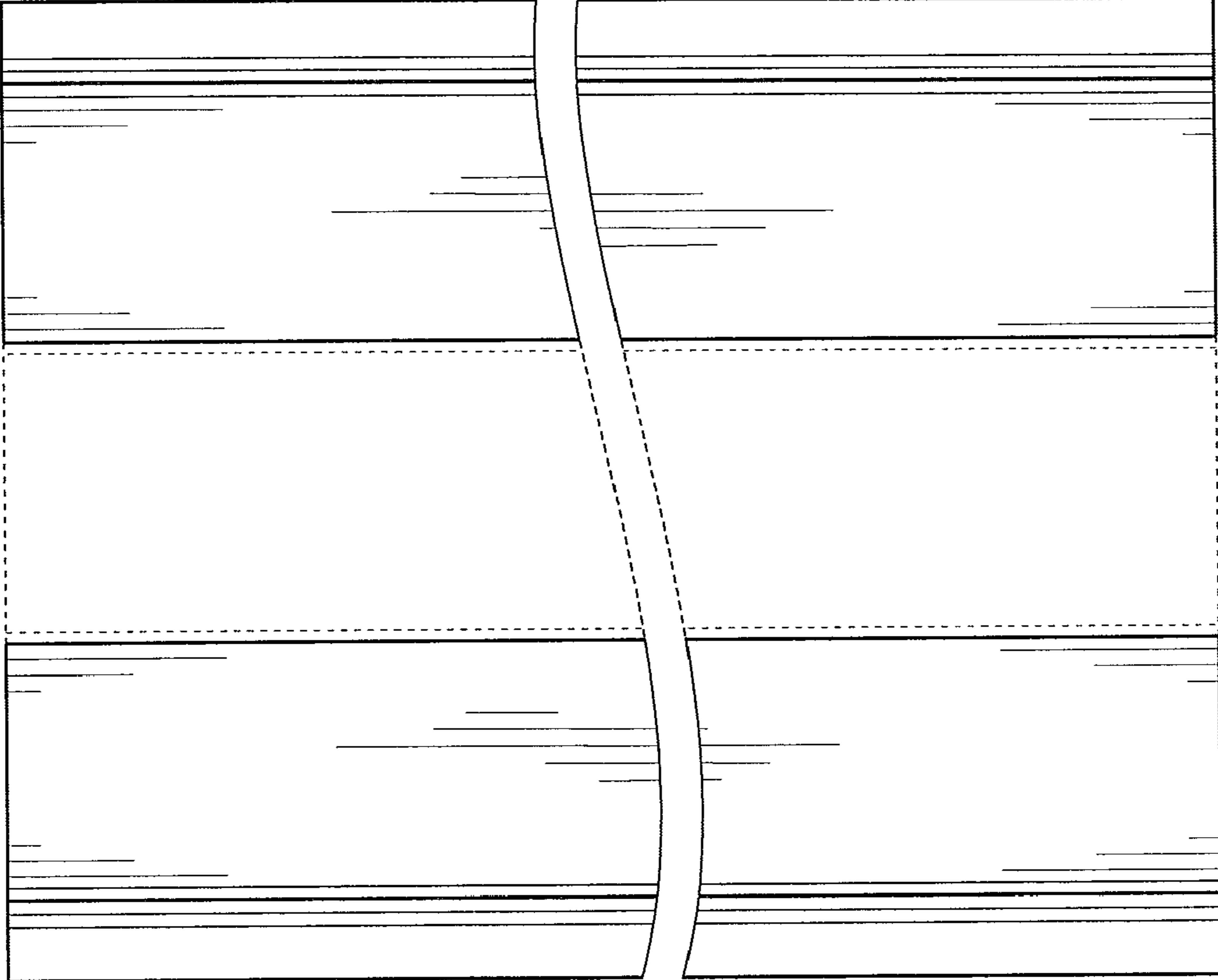


FIG. 4

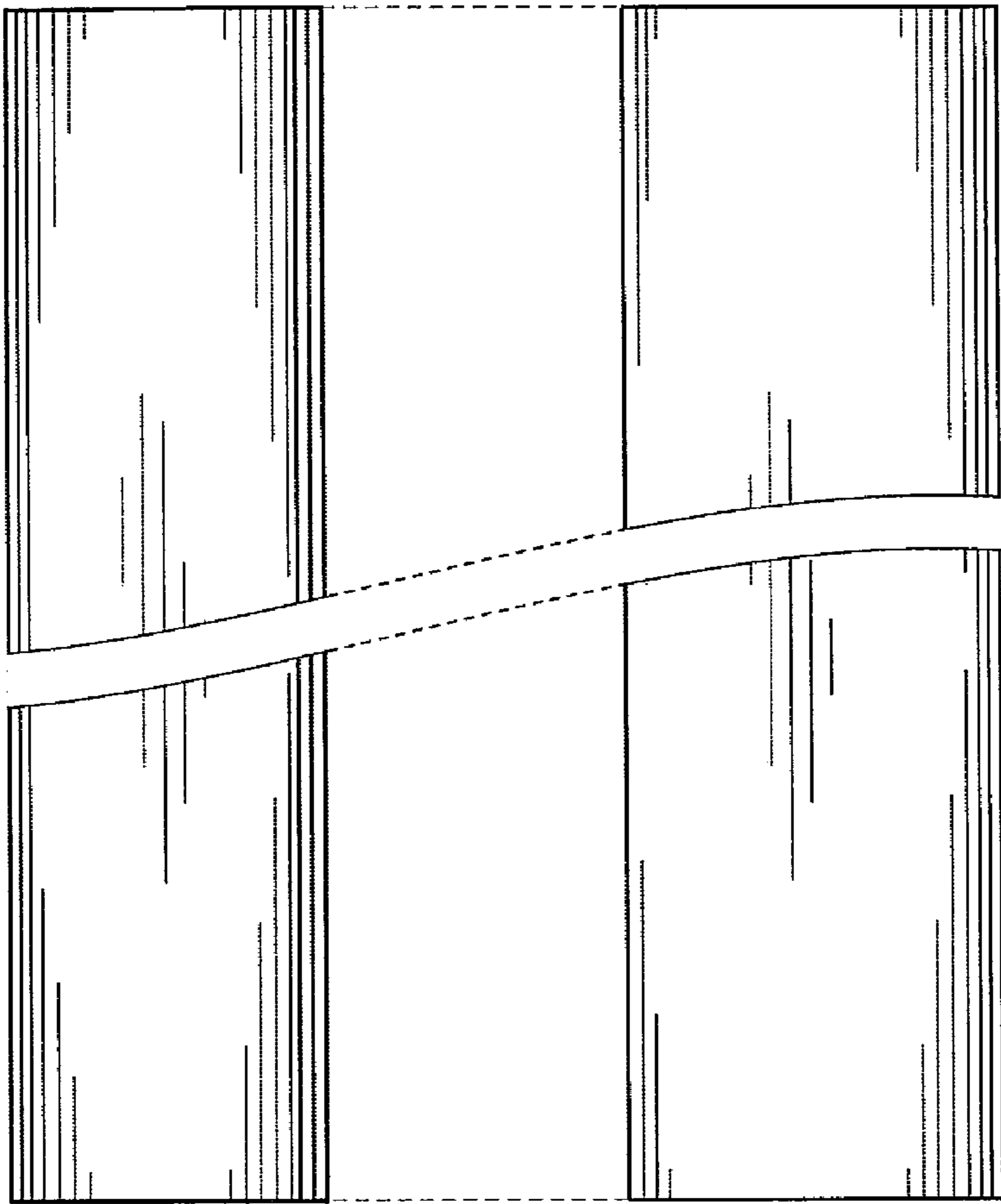


FIG. 5

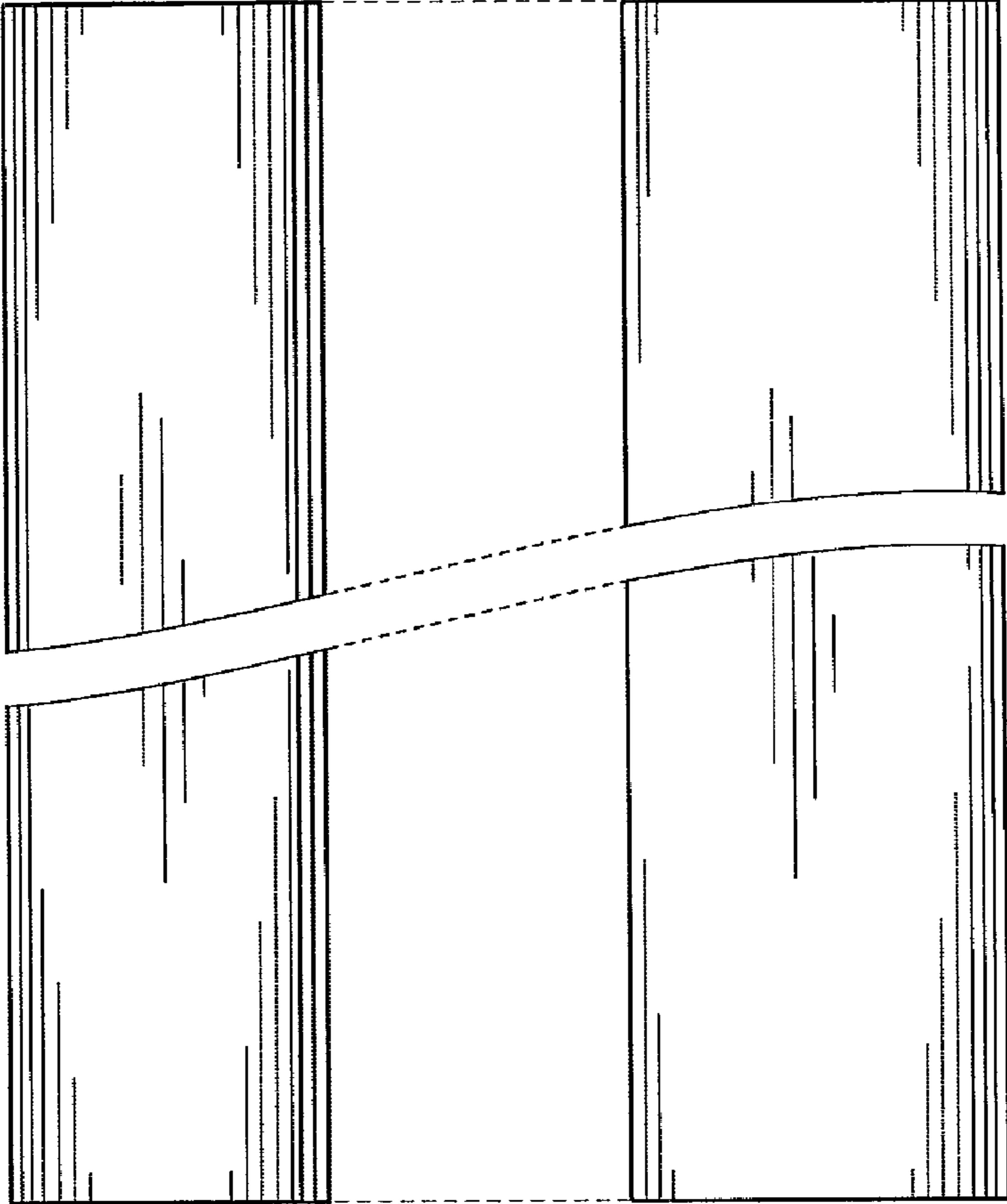


FIG. 6

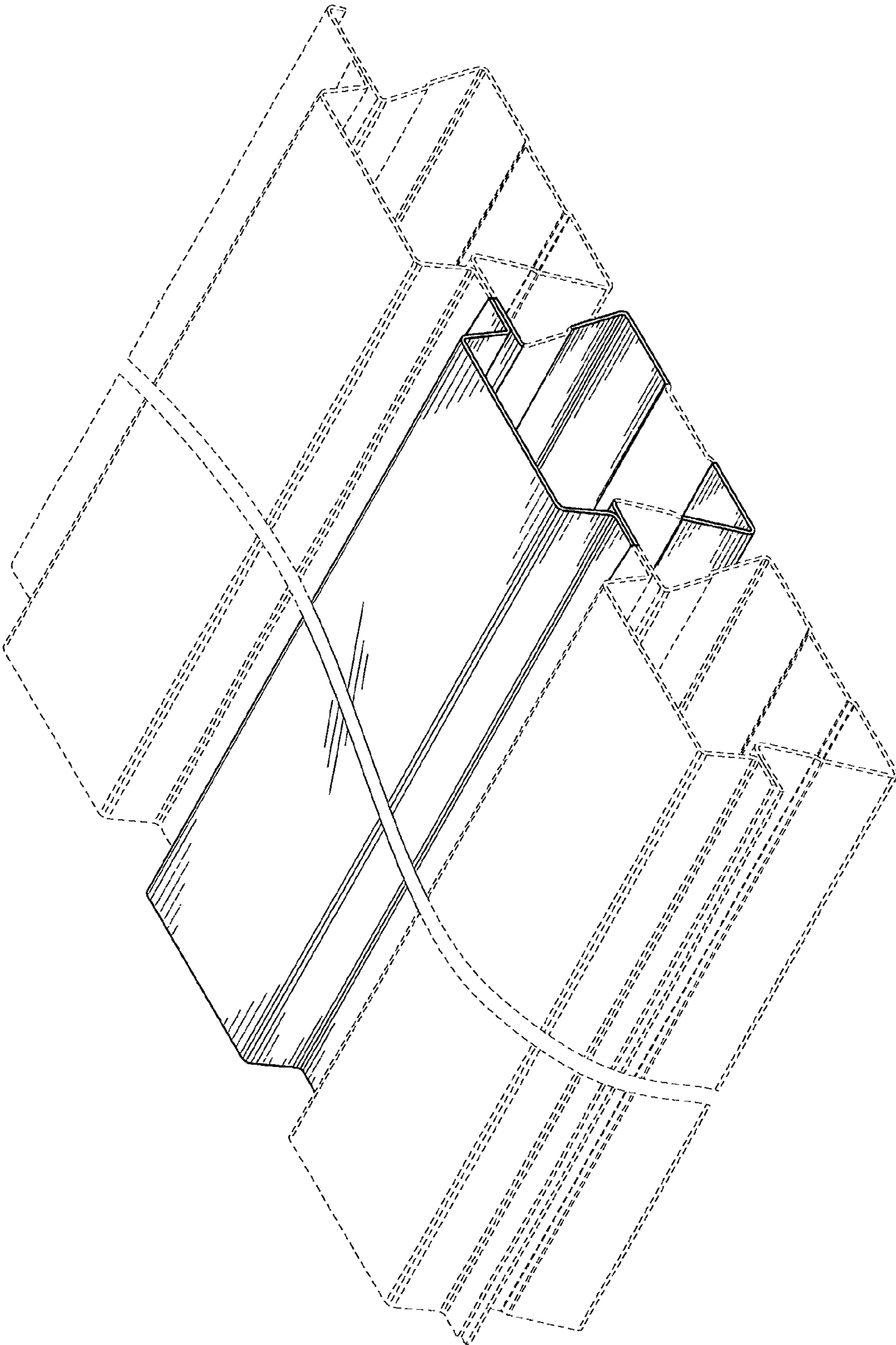


FIG. 7