



US00D622413S

(12) **United States Design Patent**
Cropley

(10) **Patent No.:** **US D622,413 S**

(45) **Date of Patent:** **** Aug. 24, 2010**

(54) **COLLAPSIBLE AWNING FOR A VEHICLE**

(75) Inventor: **Richard Cropley**, Rydalmere (AU)

(73) Assignee: **Rhino Rack Australia Pty Limited**,
Rydalmere NSW (AU)

(**) Term: **14 Years**

(21) Appl. No.: **29/357,324**

(22) Filed: **Mar. 10, 2010**

(51) **LOC (9) Cl.** **25-02**

(52) **U.S. Cl.** **D25/56**

(58) **Field of Classification Search** D25/56;
135/88.05, 88.09, 87, 128, 135, 908, 904,
135/121, 115, 117, 88.1; 160/19, 38, 29,
160/24, 22, 26, 25, 46

See application file for complete search history.

(56) **References Cited**

U.S. PATENT DOCUMENTS

4,068,673 A * 1/1978 Bernardi 160/22

D375,800 S * 11/1996 Wagner D25/56
5,752,537 A * 5/1998 Kranzler 135/128
D413,679 S * 9/1999 Lester D25/56
7,311,112 B2 * 12/2007 Pacheco 135/88.07

* cited by examiner

Primary Examiner—Doris Clark

(74) *Attorney, Agent, or Firm*—Husch Blackwell Sanders
Welsh & Katz

(57) **CLAIM**

The ornamental design for collapsible awning for a vehicle,
as shown and described.

DESCRIPTION

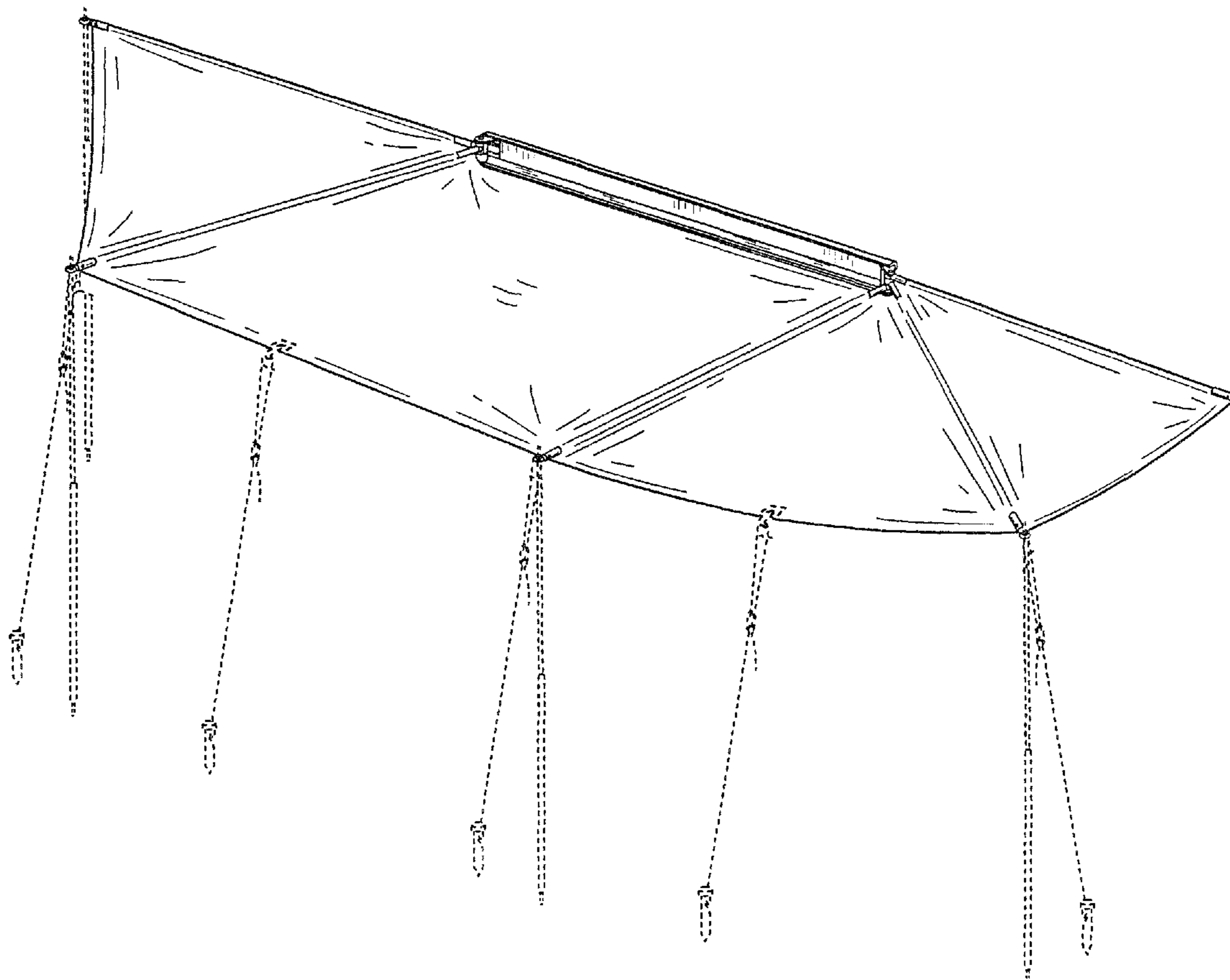
FIG. 1 is a perspective view of the fully unfurled collapsible
awning for a vehicle showing my new design;

FIG. 2 is a top plan view thereof;

FIG. 3 is a front elevation thereof; and,

FIG. 4 is a perspective view thereof in stowed or folded up
configuration.

1 Claim, 4 Drawing Sheets



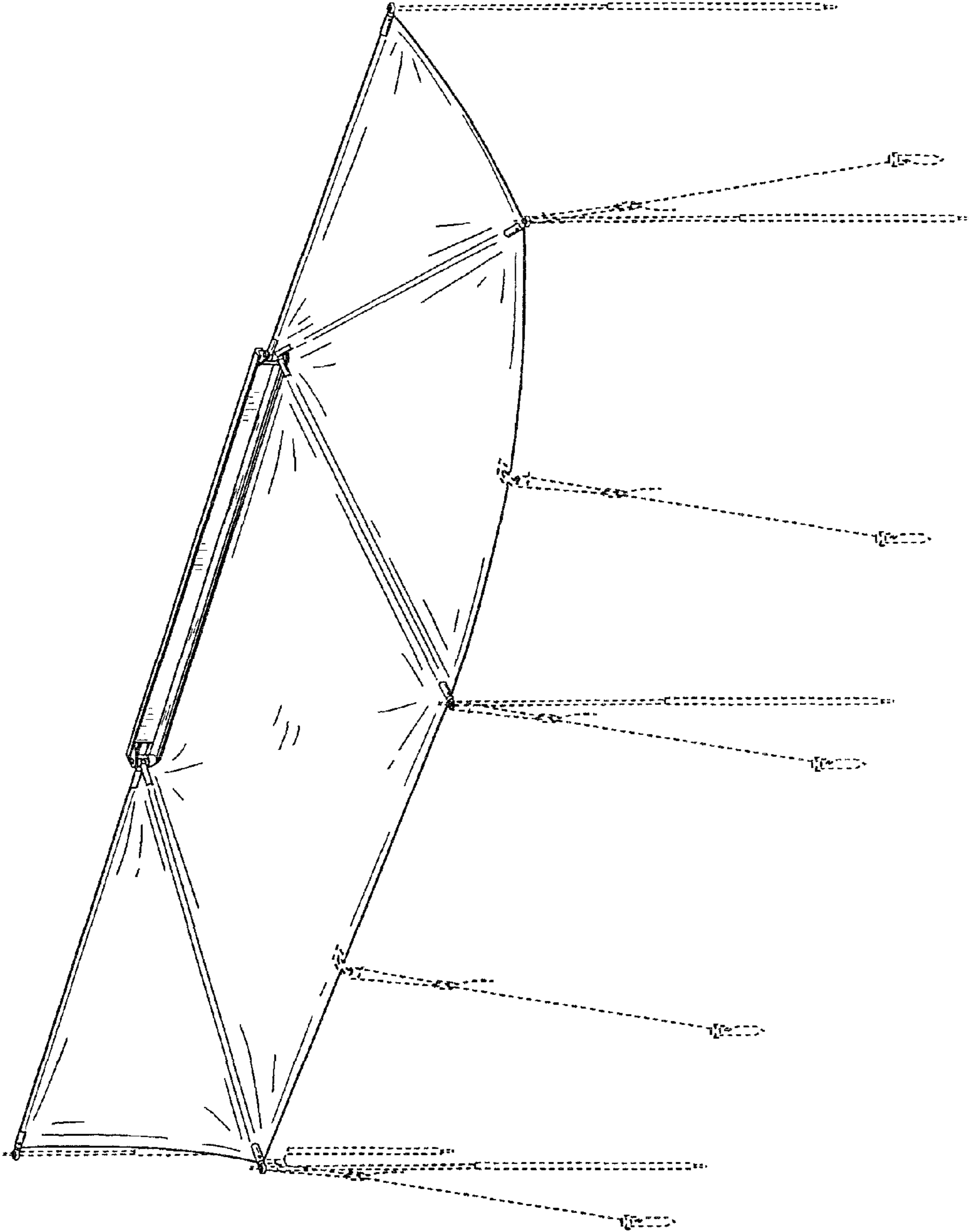


FIG. 1

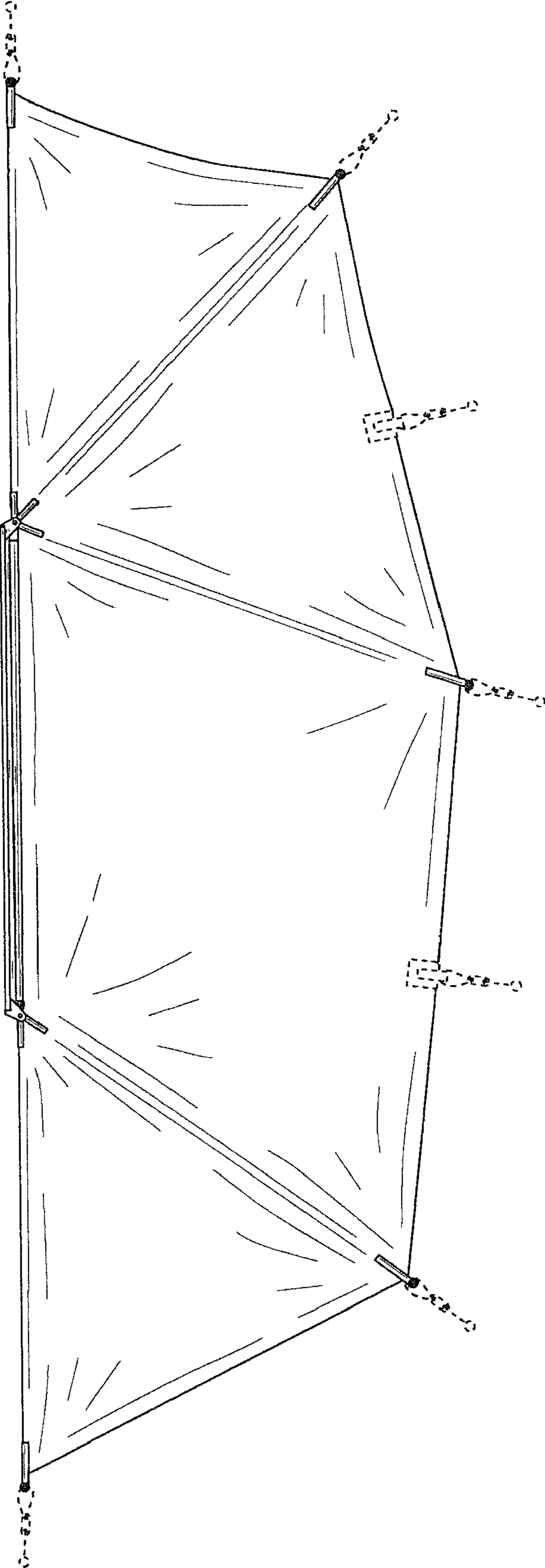


FIG. 2

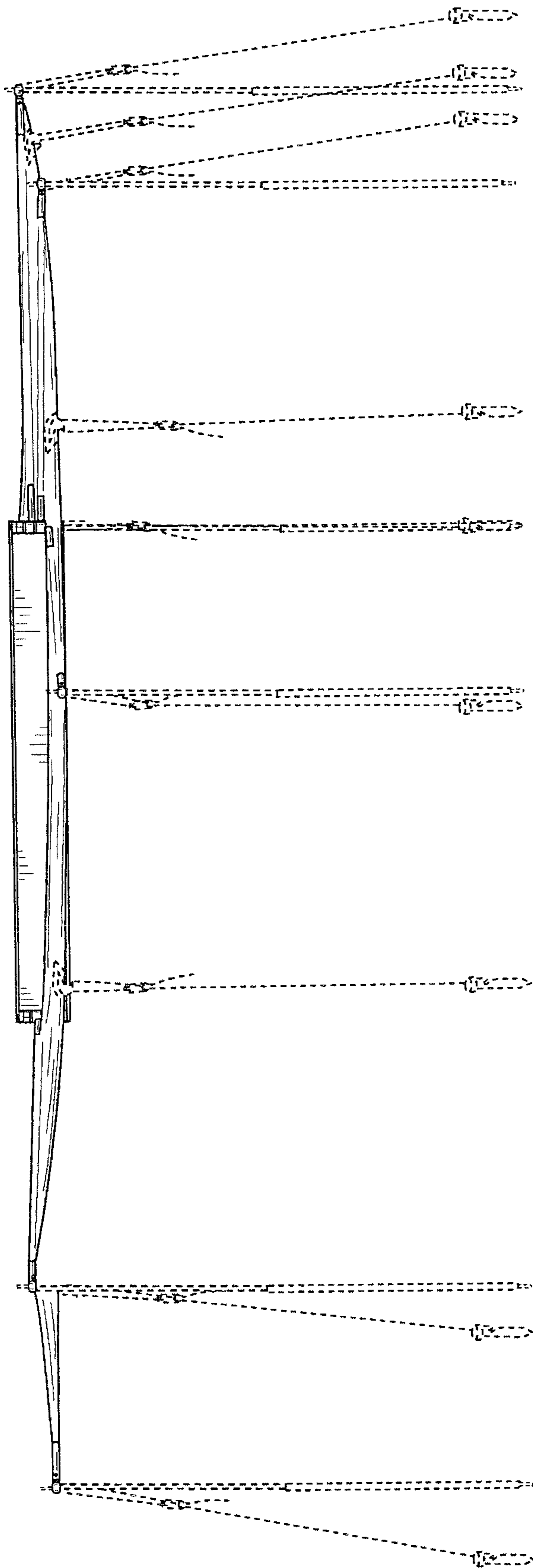


FIG. 3

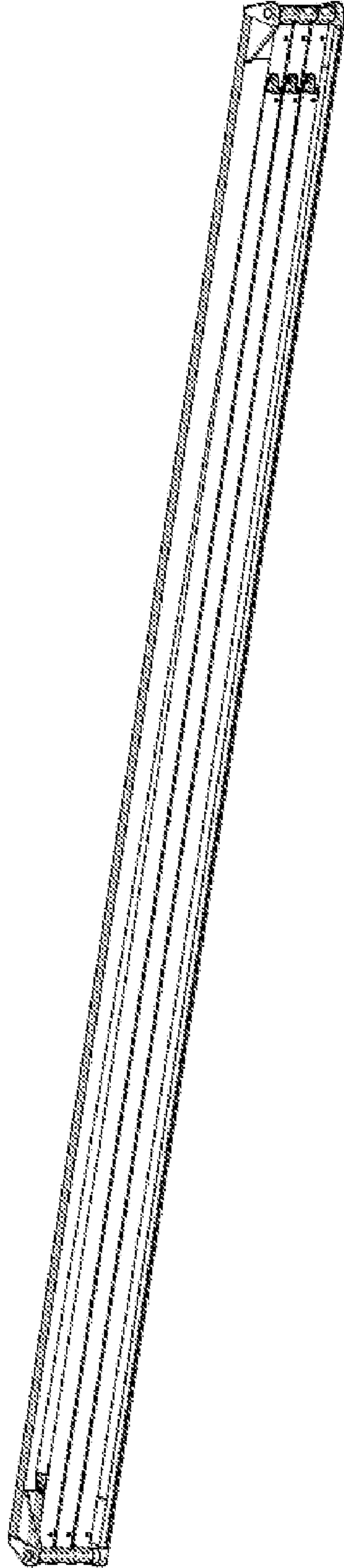


FIG. 4