



US00D622397S

(12) **United States Design Patent**  
**Bukoski**

(10) **Patent No.:** **US D622,397 S**

(45) **Date of Patent:** **\*\* Aug. 24, 2010**

(54) **DENTAL DELIVERY UNIT SHROUD**

(75) Inventor: **Timothy Daniel Bukoski**, Sherwood,  
OR (US)

(73) Assignee: **Dental Components LLC**, Newberg,  
OR (US)

(\*\*) Term: **14 Years**

(21) Appl. No.: **29/342,797**

(22) Filed: **Sep. 1, 2009**

**Related U.S. Application Data**

(62) Division of application No. 29/317,642, filed on May  
2, 2008, now Pat. No. Des. 607,567.

(51) **LOC (9) Cl.** ..... **24-04**

(52) **U.S. Cl.** ..... **D24/177; D24/184**

(58) **Field of Classification Search** ..... 433/77,  
433/82, 89, 92, 97, 25; 251/289; D14/240,  
D14/358; 361/689.25

See application file for complete search history.

(56) **References Cited**

**U.S. PATENT DOCUMENTS**

D204,983 S	6/1966	Stram et al.
D217,249 S	4/1970	Krantz
D218,165 S	7/1970	Schleicher et al.
D243,188 S	1/1977	Meyer
D246,320 S	11/1977	Truette
4,445,859 A	5/1984	Hoffmeister et al.
D288,122 S	2/1987	McGaha et al.
5,127,830 A	7/1992	Sheridan et al.
D328,791 S	8/1992	Nordstrom et al.
5,244,385 A	9/1993	Yozwiak
5,322,439 A	6/1994	Young
D349,162 S	7/1994	Nordstrom et al.
5,334,018 A	8/1994	Young
5,348,472 A	9/1994	Joeckel et al.
D351,231 S	10/1994	Austin, Jr. et al.
D354,136 S	1/1995	Phelps et al.
D361,620 S	8/1995	Phelps et al.
D378,416 S	3/1997	LaPlante et al.

D380,549 S	7/1997	Pate
D381,338 S	7/1997	Johansson
D394,706 S	5/1998	Pate
D410,469 S	6/1999	Sathikh
D413,893 S *	9/1999	Luzbetak et al. .... D14/240
D434,500 S	11/2000	Pollock et al.
D437,314 S	2/2001	DeLeon
D458,379 S	6/2002	Brockway et al.
D464,958 S *	10/2002	Coker et al. .... D14/240
D473,311 S	4/2003	Sugino
D487,080 S	2/2004	Chen
D498,847 S	11/2004	Castellini
7,154,746 B1 *	12/2006	Hanson et al. .... 361/679.25
D555,245 S	11/2007	Castellini
D555,246 S	11/2007	Castellini
D555,247 S	11/2007	Castellini

(Continued)

*Primary Examiner*—Charles A Rademaker

(74) *Attorney, Agent, or Firm*—Alston & Bird LLP

(57) **CLAIM**

The ornamental design for a dental delivery unit shroud, as shown and described.

**DESCRIPTION**

FIG. 1 is a perspective view of a dental delivery unit shroud according to my new design;

FIG. 2 is a front elevation view thereof;

FIG. 3 is a rear elevation view thereof;

FIG. 4 is a top plan view thereof;

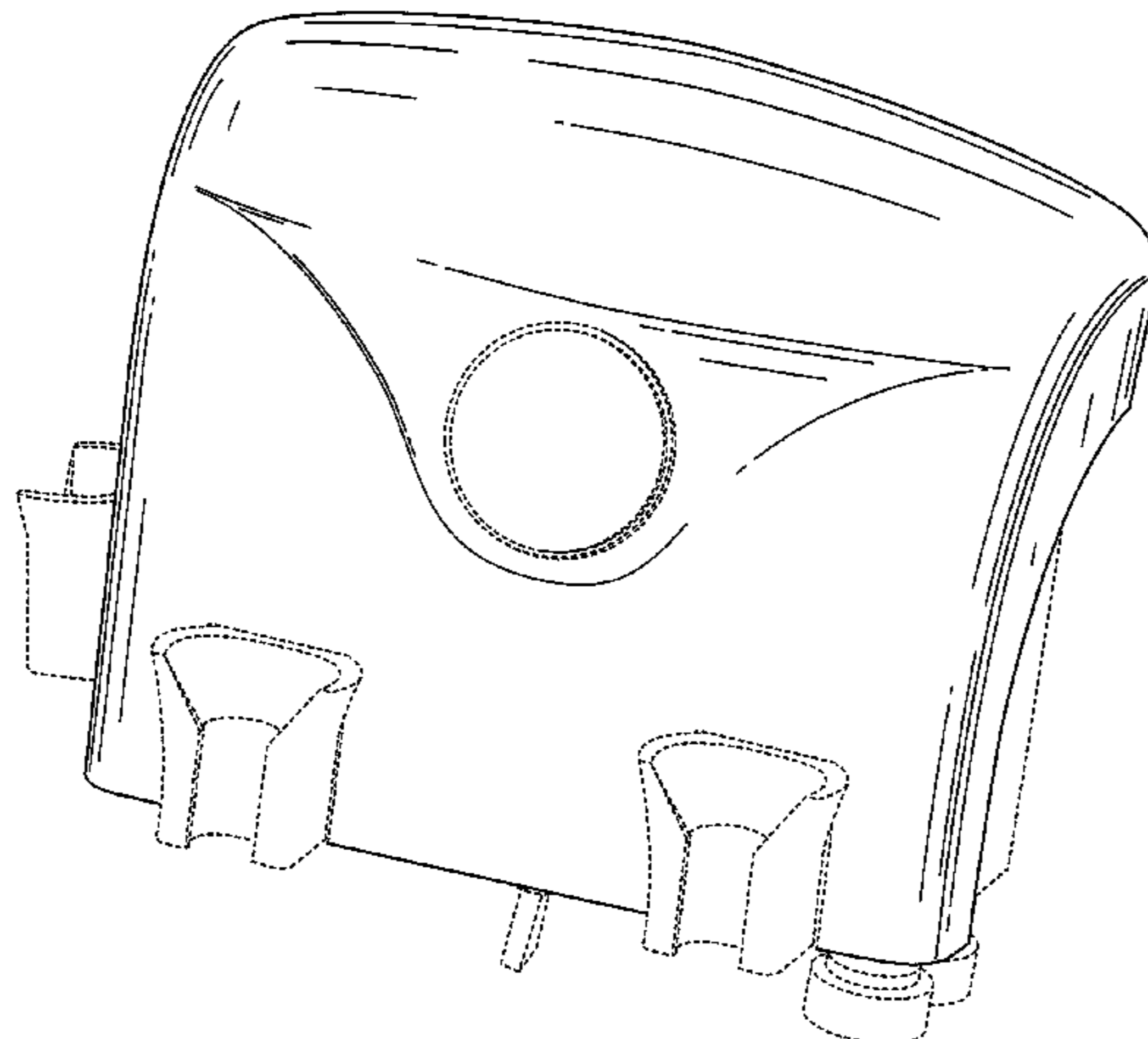
FIG. 5 is a bottom plan view thereof;

FIG. 6 is a left side elevation view thereof; and,

FIG. 7 is a right side elevation view thereof.

The broken lines immediately adjacent the shaded areas represent bounds of the claimed design and environment while all other broken lines are directed to environment and are for illustrative purposes only. The broken lines form no part of the claimed design.

**1 Claim, 7 Drawing Sheets**



# US D622,397 S

Page 2

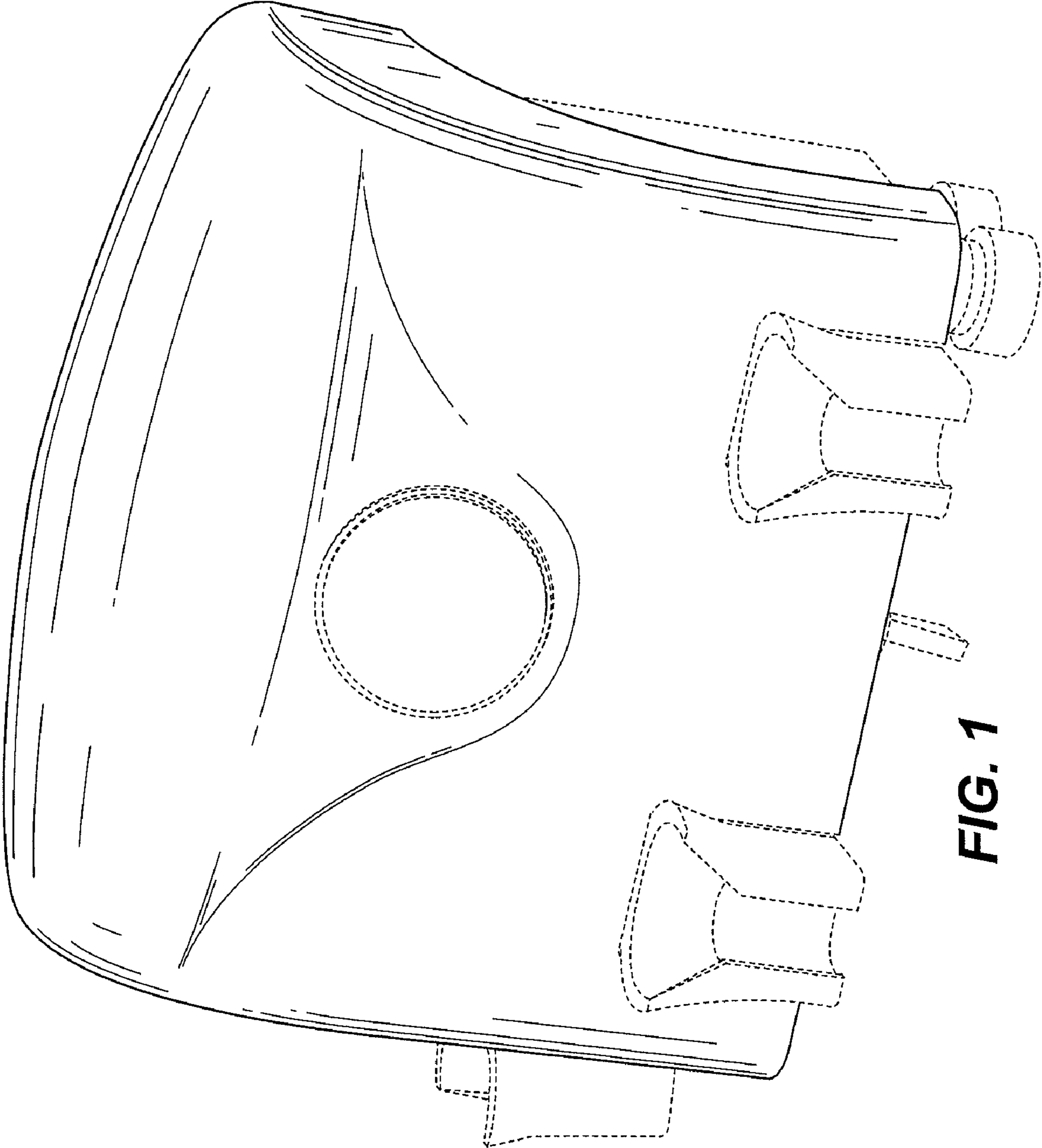
---

## U.S. PATENT DOCUMENTS

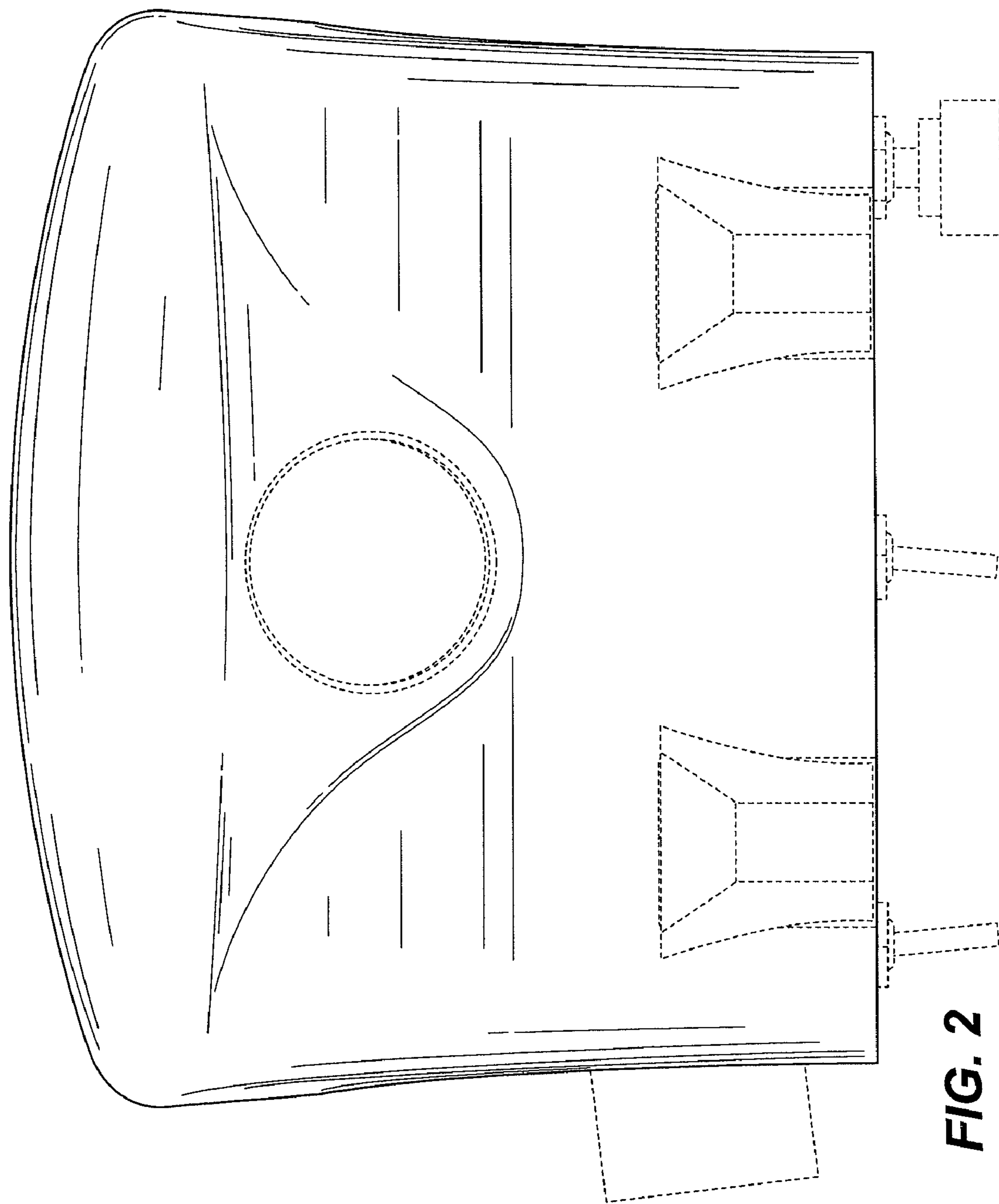
D563,905 S 3/2008 Pollard  
D566,668 S 4/2008 Whittaker et al.

D589,045 S \* 3/2009 Lee et al. .... D14/358  
D605,296 S 12/2009 Hosey et al.

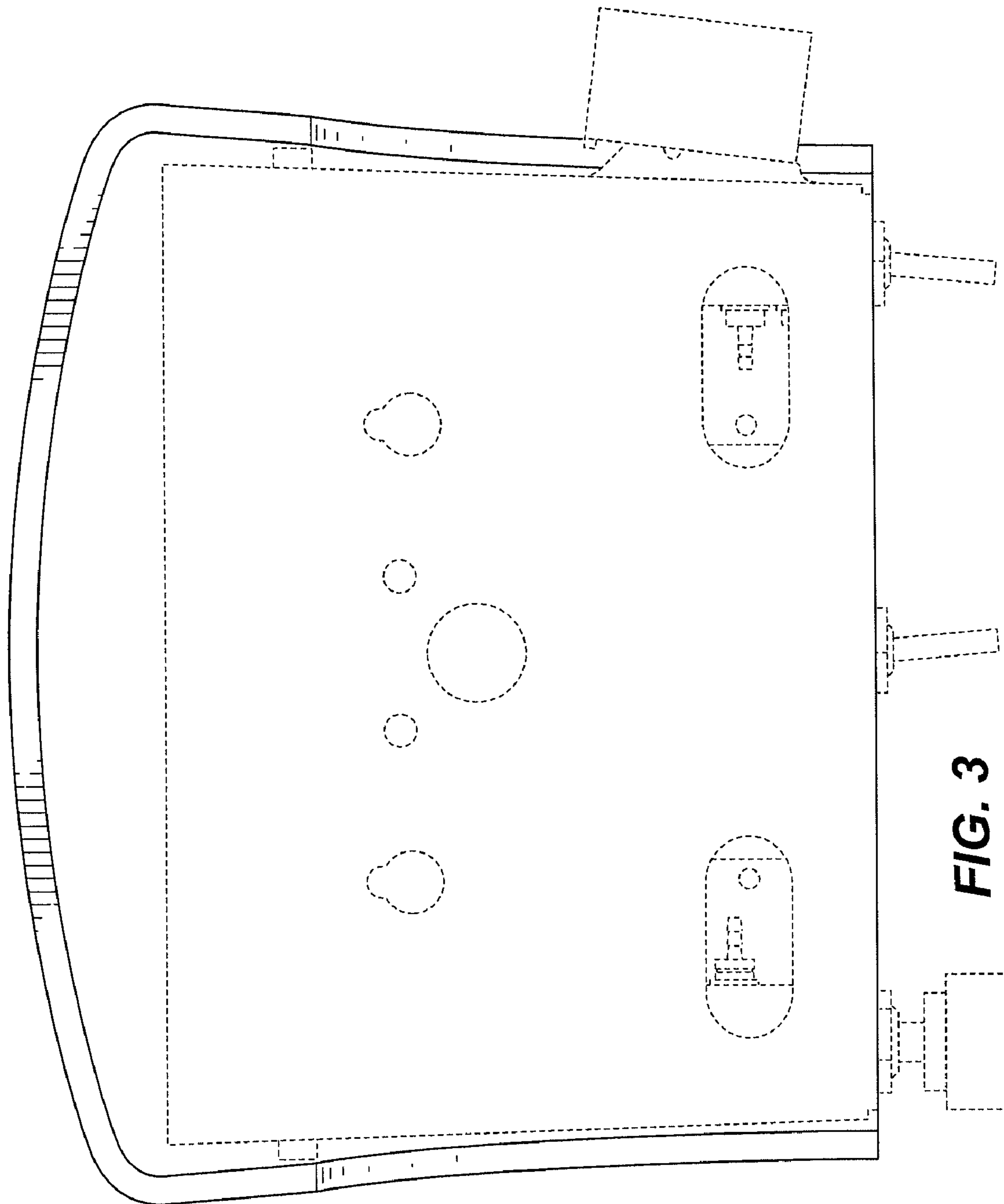
\* cited by examiner



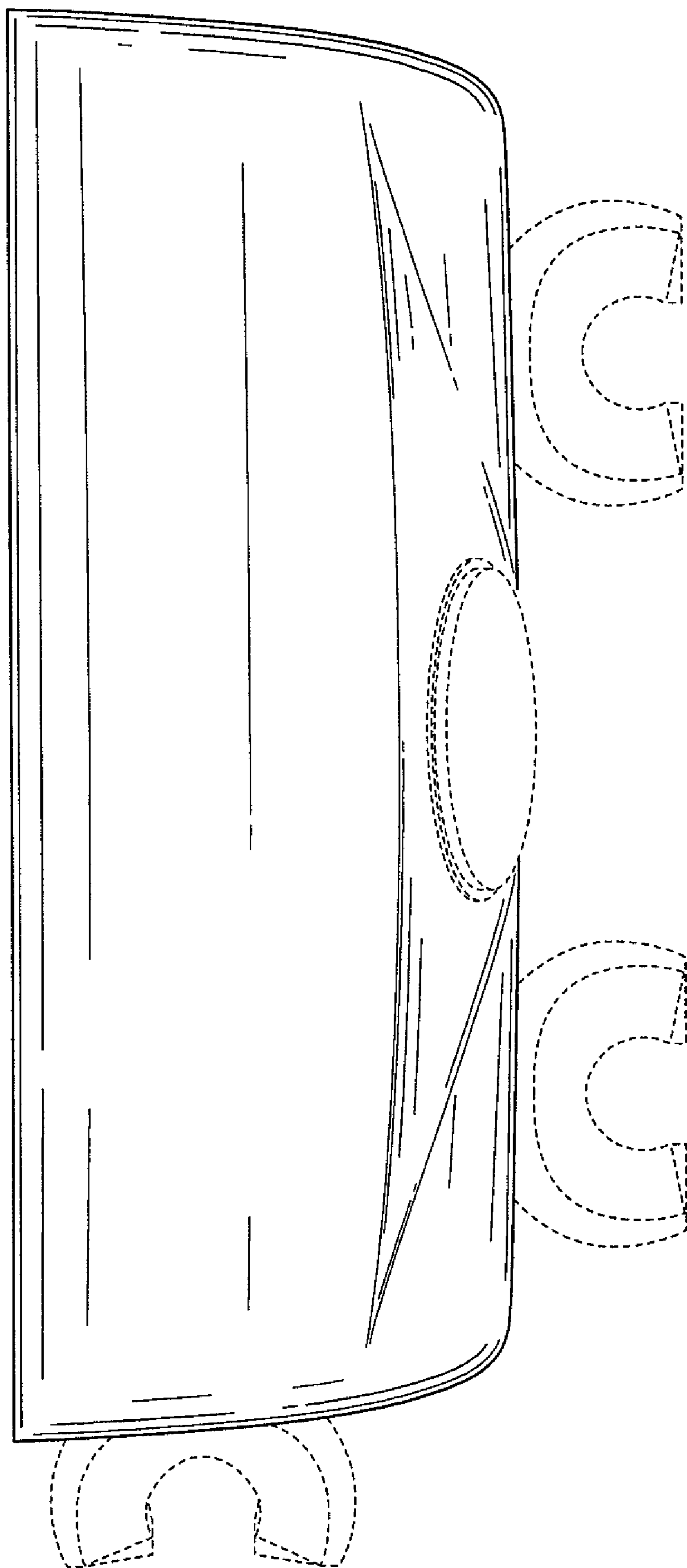
**FIG. 1**



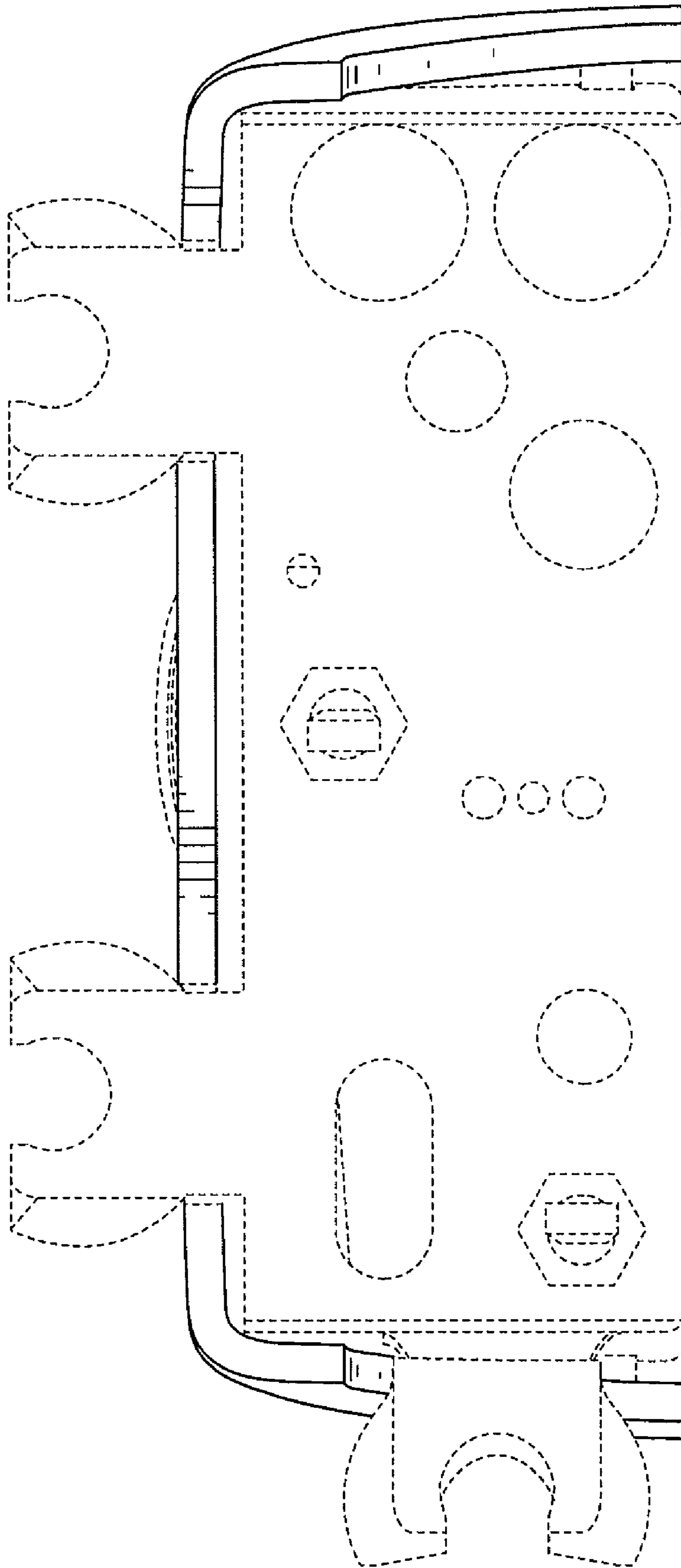
**FIG. 2**



**FIG. 3**

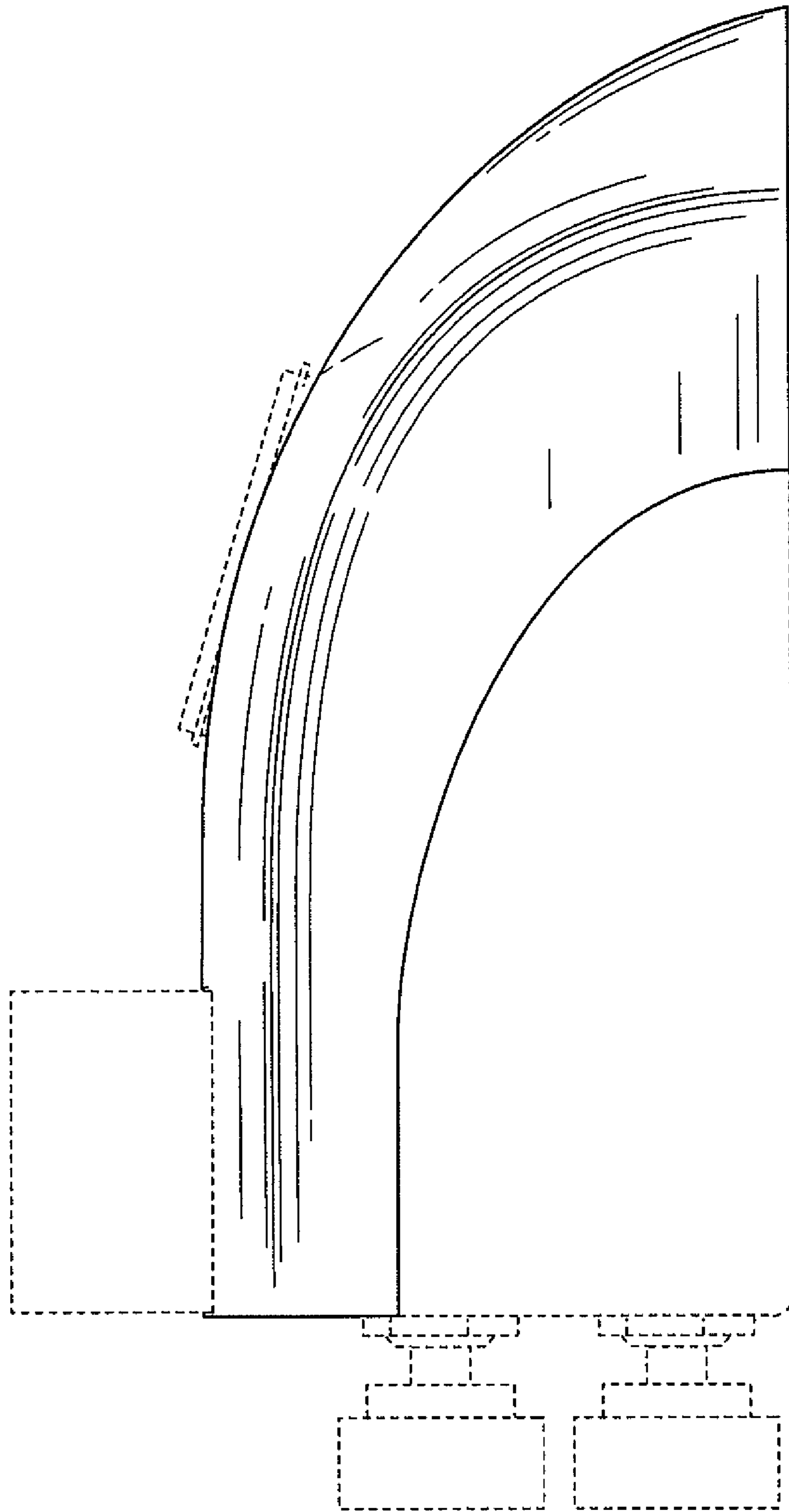


**FIG. 4**



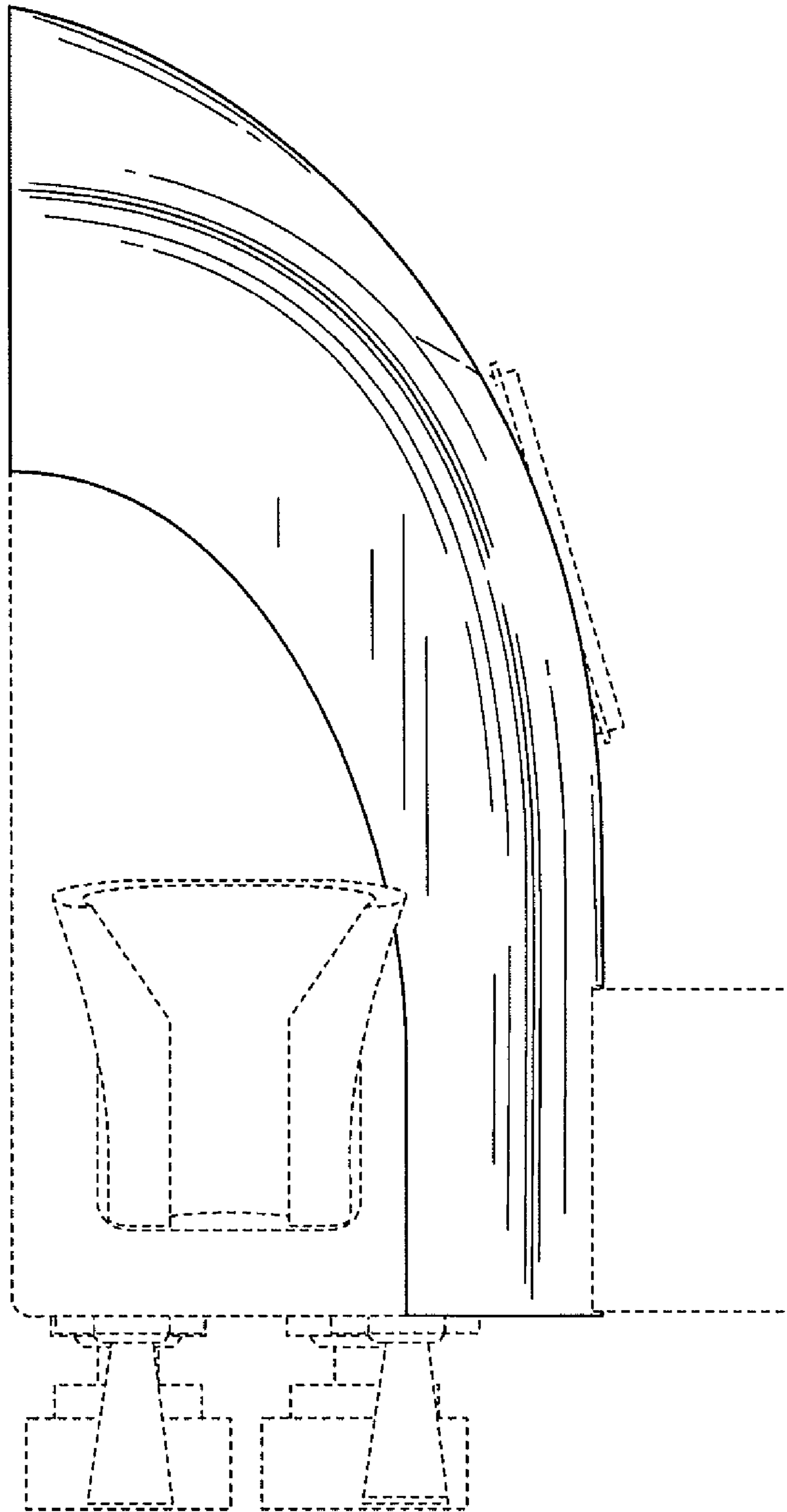
**FIG. 5**





**FIG. 6**





**FIG. 7**