



US00D622395S

(12) **United States Design Patent**  
**Iott et al.**

(10) **Patent No.:** **US D622,395 S**

(45) **Date of Patent:** **\*\* Aug. 24, 2010**

(54) **ORTHOPEDIC CLAMP WITH INTEGRATED EXTENSION ROD**

*Primary Examiner*—T. Chase Nelson  
*Assistant Examiner*—Anhdao Doan

(75) Inventors: **Andrew Iott**, Villanova, PA (US); **Adam Friedrich**, Cinnaminson, NJ (US); **Douglas Cahill**, Levittown, PA (US); **Brad Juchno**, Yardley, PA (US); **Mark Salzberger**, Sinking Spring, PA (US)

(57) **CLAIM**

The ornamental design for an orthopedic clamp with integrated extension rod, as shown and described herein.

(73) Assignee: **Globus Medical Inc.**, Audubon, PA (US)

**DESCRIPTION**

(\*\*) Term: **14 Years**

This application incorporates by reference U.S. application Ser. No. 12/416,175 filed on April 1, 2009. All the material from the U.S. Application which is essential to the claimed design is included in this application. It is understood that any material in the U.S. Application which is not present in this application forms no part of the claimed design.

(21) Appl. No.: **29/335,876**

(22) Filed: **Apr. 23, 2009**

FIG. 1 shows a perspective view of the orthopedic clamp with integrated extension rod;

(51) **LOC (9) Cl.** ..... **24-04**

(52) **U.S. Cl.** ..... **D24/171**

(58) **Field of Classification Search** ..... D24/140, D24/143, 145, 155, 171, 190; 606/54, 55, 606/75, 246, 279, 300, 324; D8/72, 73, 390  
See application file for complete search history.

FIG. 2 shows a front view of the orthopedic clamp with integrated extension rod;

FIG. 3 shows a side view of the orthopedic clamp with integrated extension rod;

(56) **References Cited**

**U.S. PATENT DOCUMENTS**

|                   |         |               |       |         |
|-------------------|---------|---------------|-------|---------|
| D301,832 S *      | 6/1989  | Hathaway      | ..... | D8/349  |
| D336,518 S *      | 6/1993  | Taylor        | ..... | D24/143 |
| 5,645,544 A *     | 7/1997  | Tai et al.    | ..... | 606/259 |
| D397,220 S *      | 8/1998  | Kumar et al.  | ..... | D24/140 |
| D553,971 S *      | 10/2007 | Krueger       | ..... | D8/396  |
| D573,861 S *      | 7/2008  | Hammer et al. | ..... | D8/72   |
| D574,498 S *      | 8/2008  | Fox et al.    | ..... | D24/171 |
| 2009/0018658 A1 * | 1/2009  | Garcia        | ..... | 606/246 |

FIG. 4 shows the opposite side view of the orthopedic clamp with integrated extension rod;

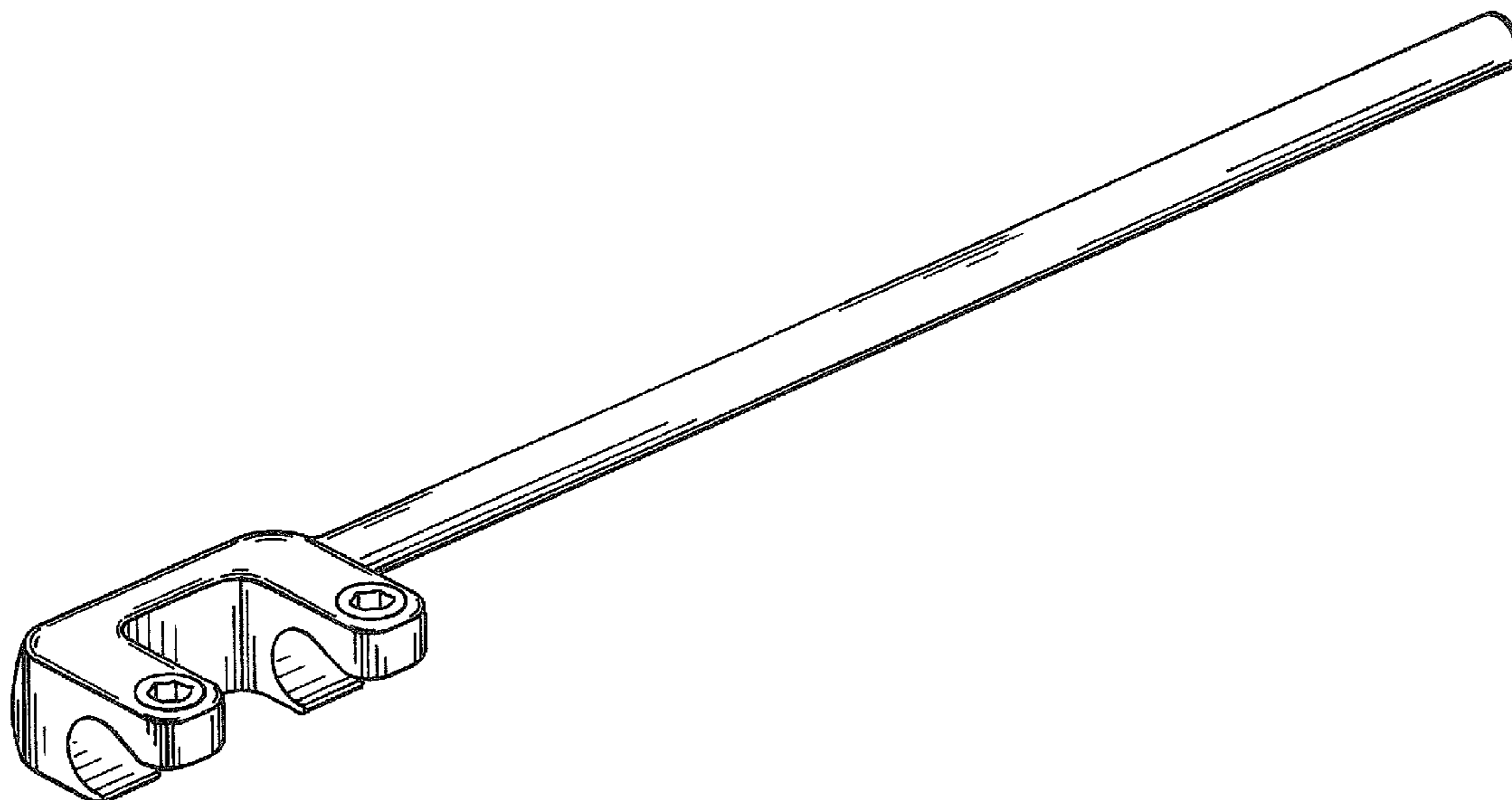
FIG. 5 shows a top view of the orthopedic clamp with integrated extension rod;

FIG. 6 shows a bottom view of the orthopedic clamp with integrated extension rod; and,

FIG. 7 shows a back view of the orthopedic clamp with integrated extension rod.

\* cited by examiner

**1 Claim, 3 Drawing Sheets**



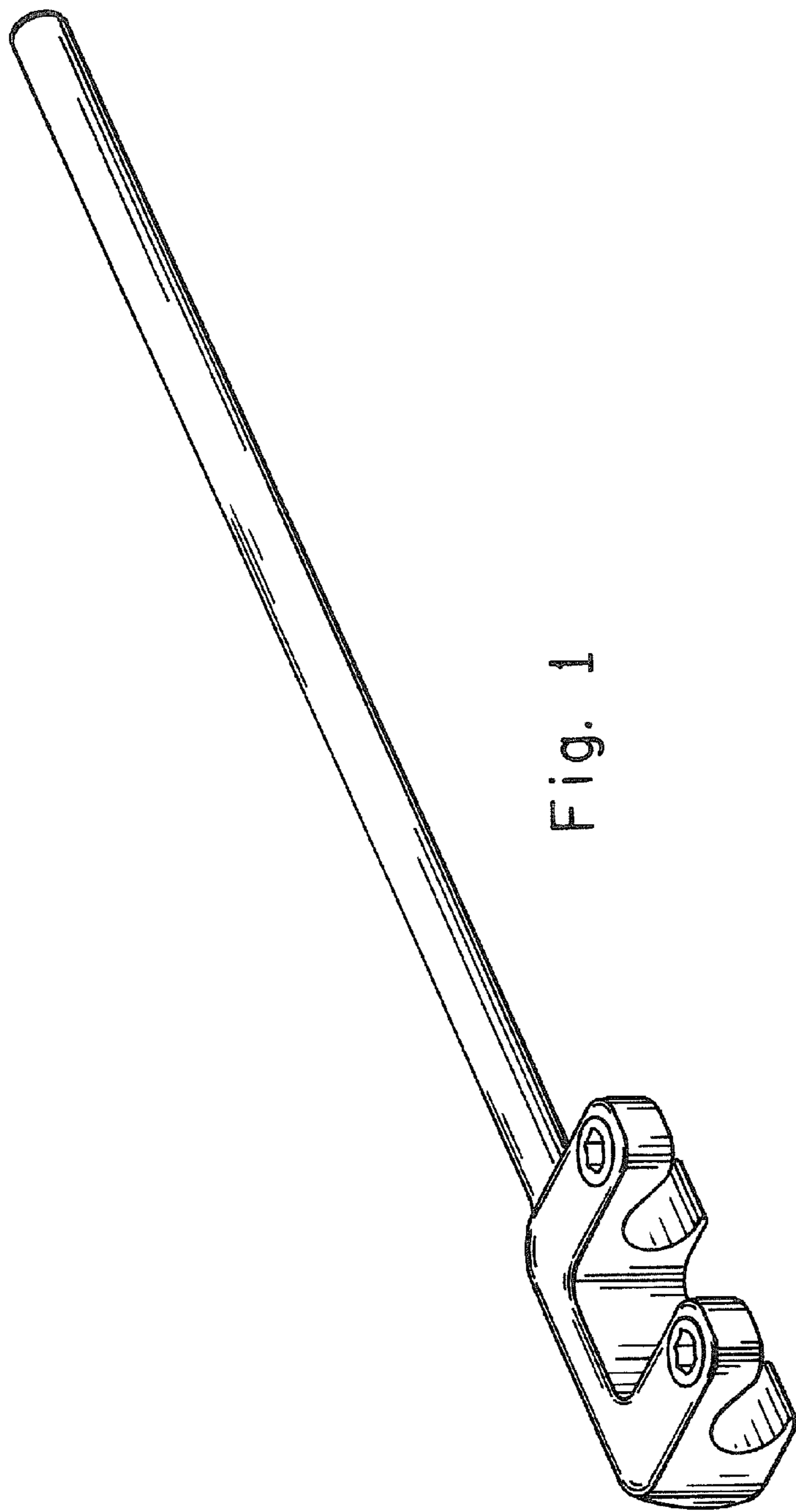


Fig. 1

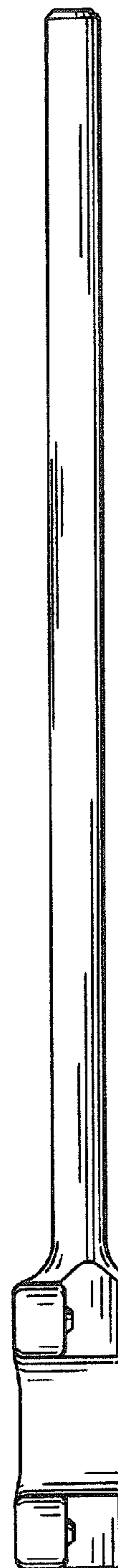


Fig. 2

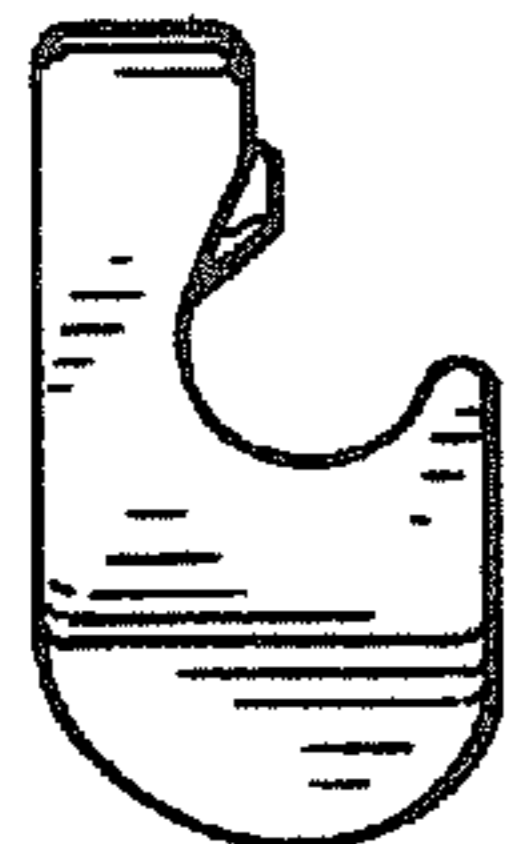


Fig. 3

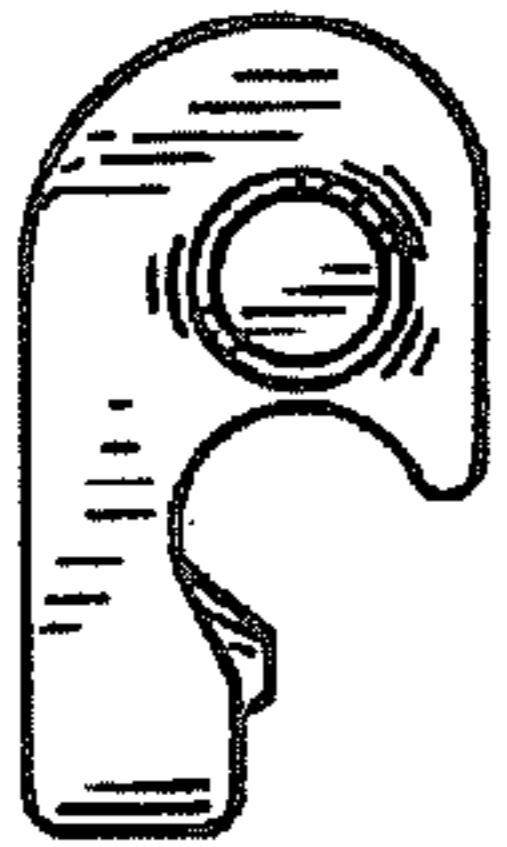


Fig. 4

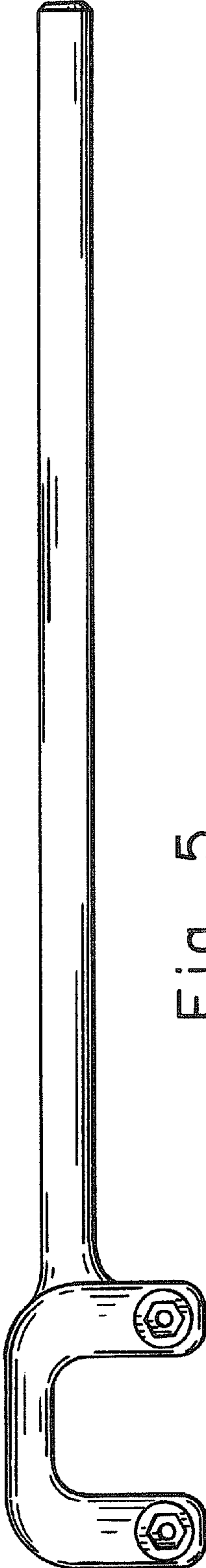


Fig. 5

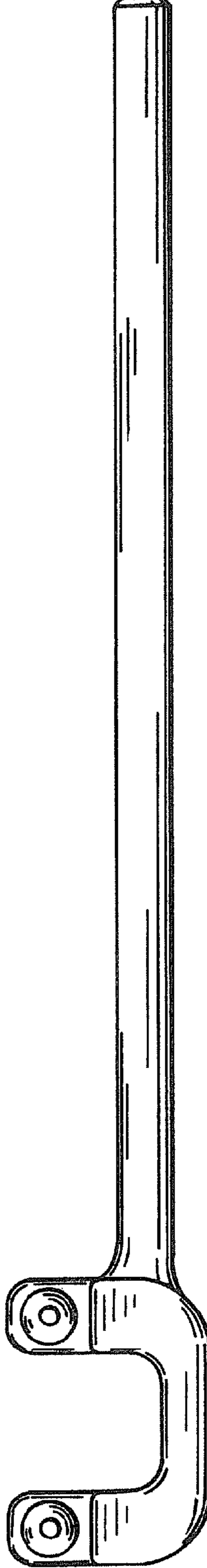


Fig. 6

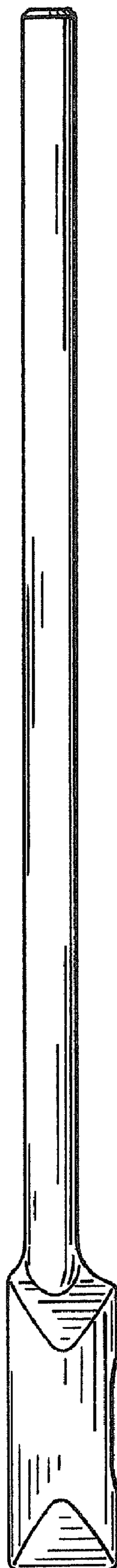


Fig. 7