



US00D622394S

(12) **United States Design Patent**
Bielawa et al.

(10) **Patent No.:** **US D622,394 S**
(45) **Date of Patent:** **** Aug. 24, 2010**

(54) **BLOOD GLUCOSE MONITORING APPARATUS**

(75) Inventors: **Holly Bielawa**, Ann Arbor, MI (US); **Carissa Demetris**, Ann Arbor, MI (US); **Clement J Goebel, III**, Ypsilanti, MI (US); **Carol Treat Morton**, Bloomfield Township, MI (US); **Michelle Pomorski**, Pinckney, MI (US); **Thomas Puricelli**, Ann Arbor, MI (US); **Jim Rodgers**, Ann Arbor, MI (US)

(73) Assignee: **Hygieia, Inc.**, Ann Arbor, MI (US)

(**) Term: **14 Years**

(21) Appl. No.: **29/346,619**

(22) Filed: **Nov. 3, 2009**

(51) **LOC (9) Cl.** **24-01**

(52) **U.S. Cl.** **D24/169**

(58) **Field of Classification Search** D24/169,
D24/186; D10/81; 600/309, 316, 322, 365,
600/368

See application file for complete search history.

(56) **References Cited**

U.S. PATENT DOCUMENTS

D363,885 S * 11/1995 Okamoto et al. D10/81
5,507,288 A * 4/1996 Bocker et al. 600/322
D493,536 S * 7/2004 Jaeck et al. D24/169
D545,438 S * 6/2007 Huang et al. D24/186

D546,454 S * 7/2007 Gutmann et al. D24/169
D581,056 S * 11/2008 Kurokawa et al. D24/186
D590,063 S * 4/2009 Garthoff et al. D24/186
D595,415 S * 6/2009 Fukuzawa D24/186
D611,151 S * 3/2010 Lei D24/169

* cited by examiner

Primary Examiner—T. Chase Nelson
Assistant Examiner—Anhdao Doan
(74) *Attorney, Agent, or Firm*—Butzel Long

(57) **CLAIM**

The ornamental design for a blood glucose monitoring apparatus, as shown and described.

DESCRIPTION

FIG. 1 is a top perspective view of a blood glucose monitoring apparatus according the present invention;

FIG. 2 is a top plan view thereof;

FIG. 3 is a left-side elevational view thereof;

FIG. 4 is a front elevational view thereof

FIG. 5 is a right-side elevational view thereof;

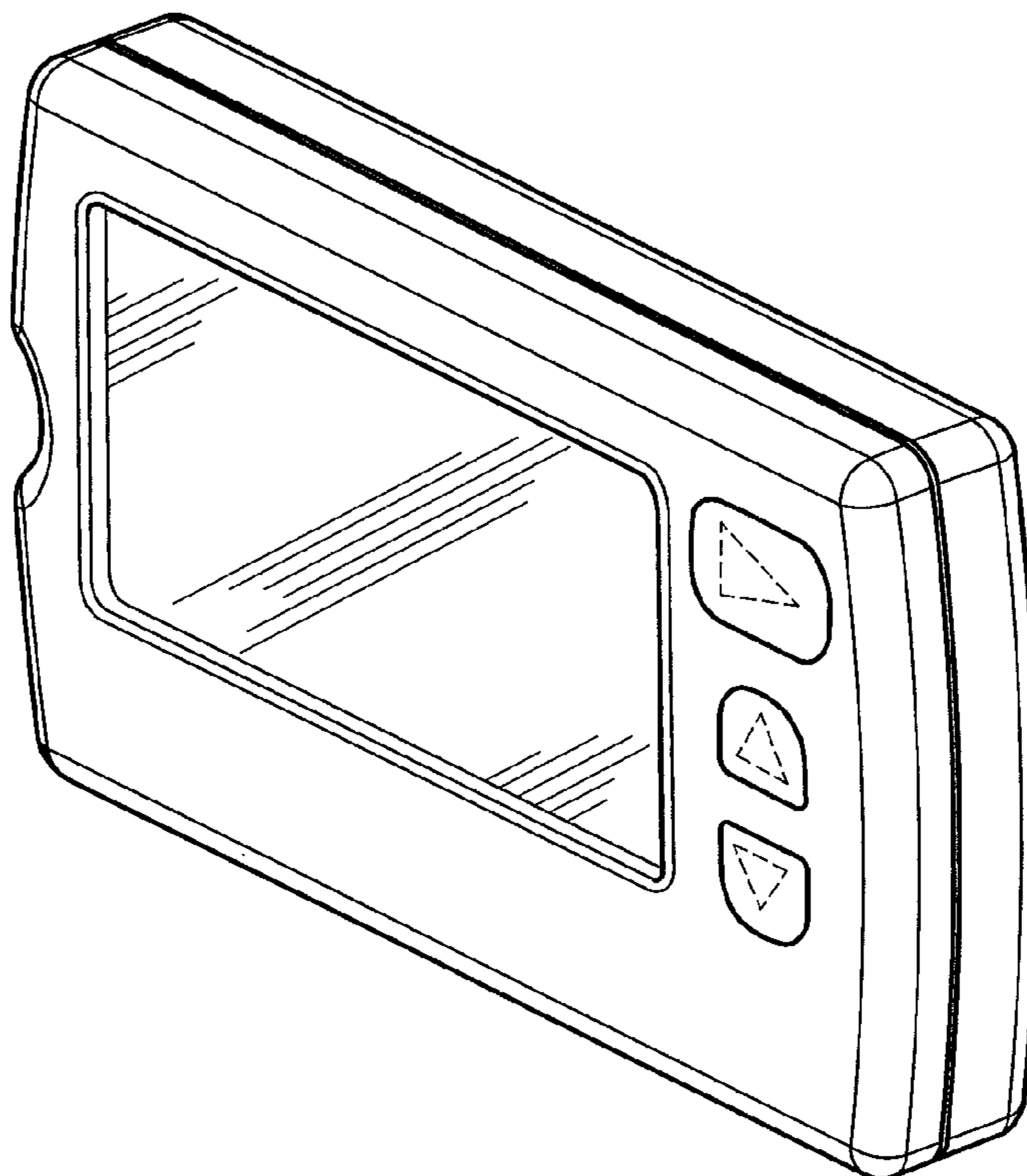
FIG. 6 is a rear elevational view thereof;

FIG. 7 is a bottom plan view thereof; and,

FIG. 8 is a bottom perspective view thereof.

The broken lines in the drawing views are included for the purpose of illustrating portions of the blood glucose monitoring apparatus that form no part of the claimed design.

1 Claim, 4 Drawing Sheets



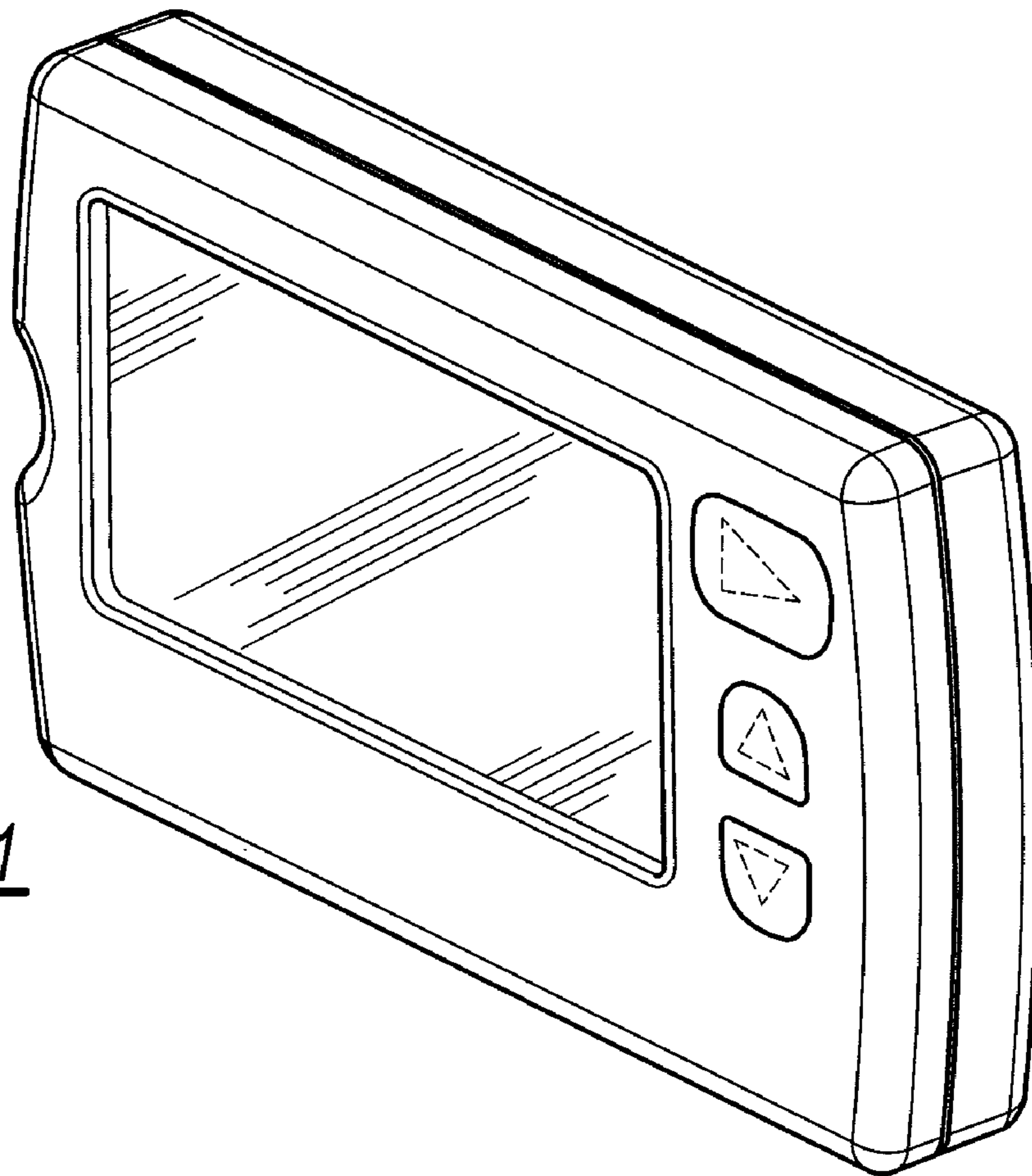


FIG - 1

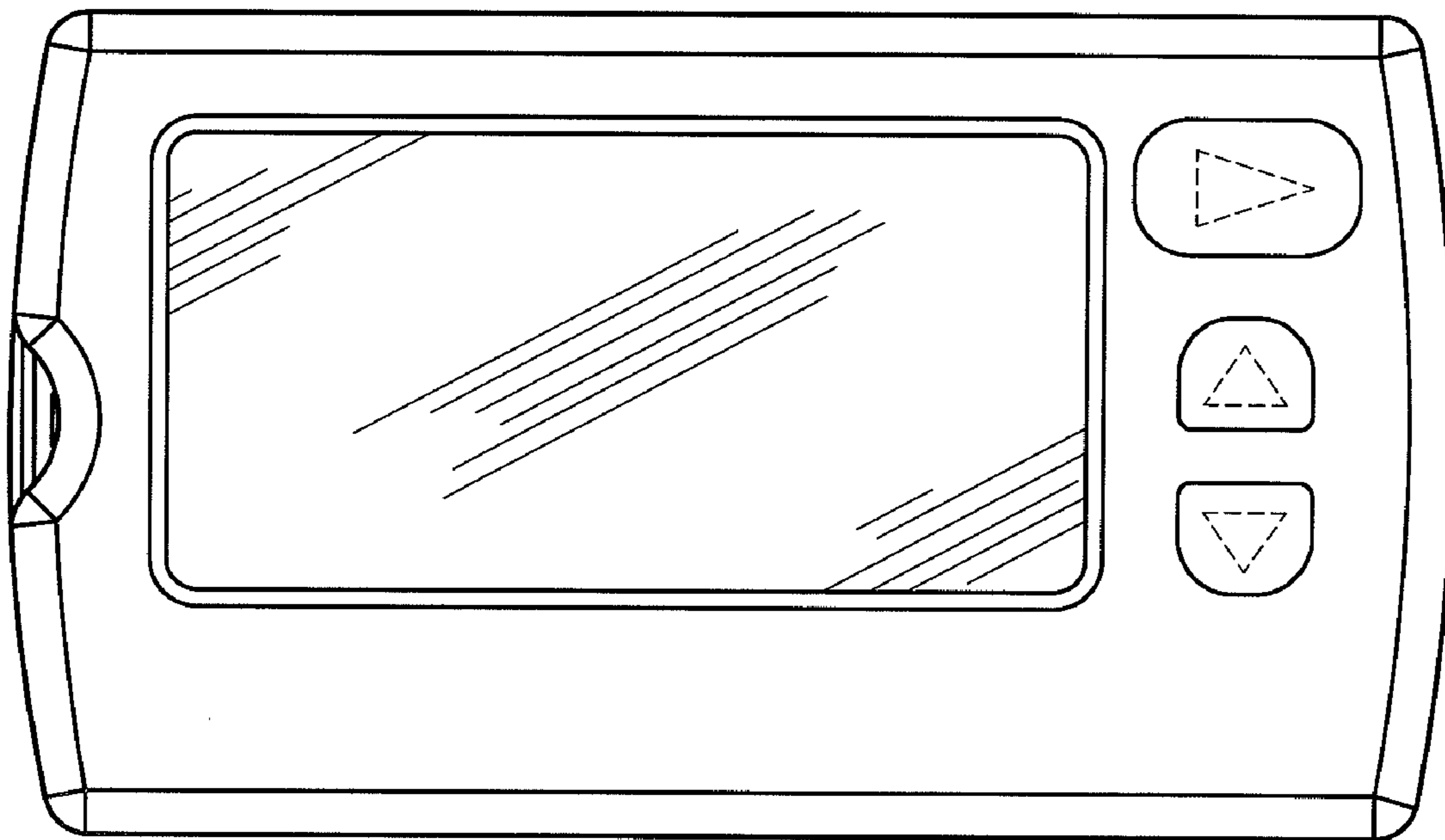


FIG - 2

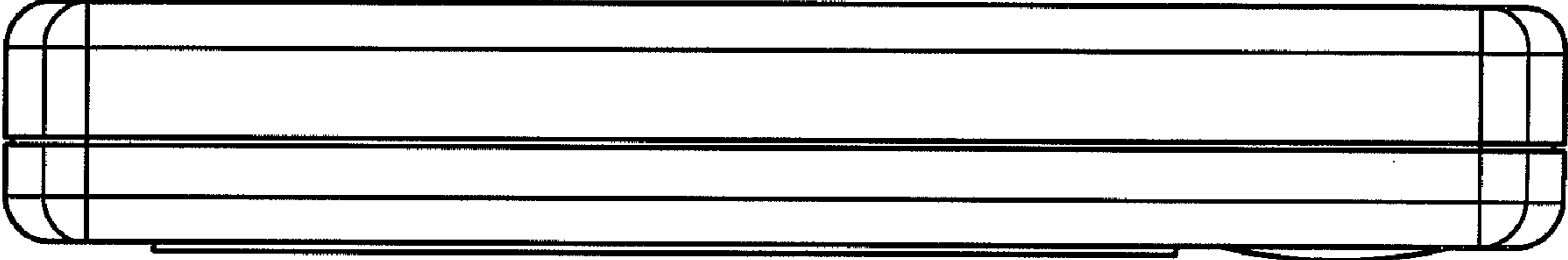


FIG - 3

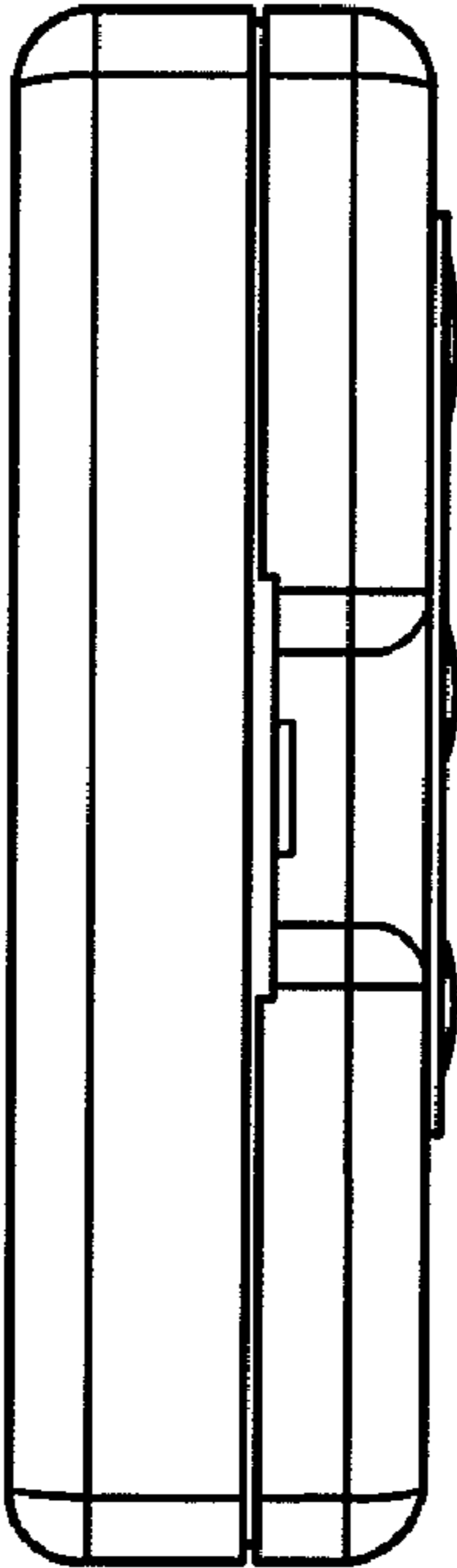


FIG - 4

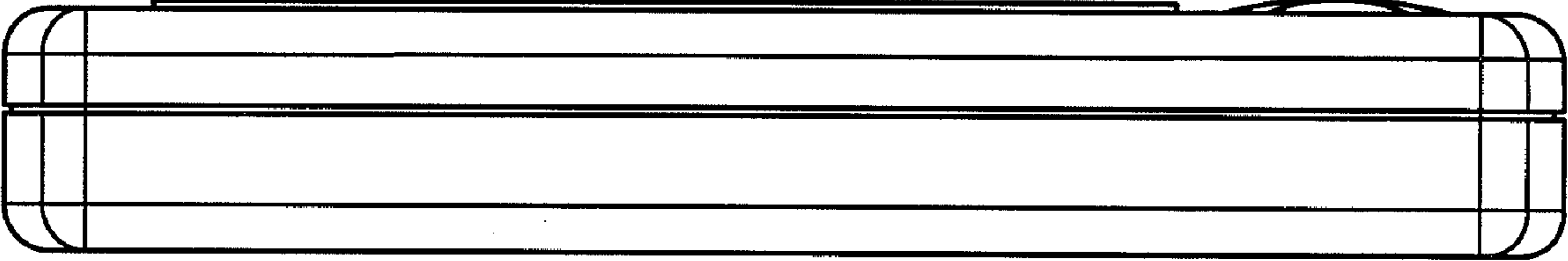


FIG - 5

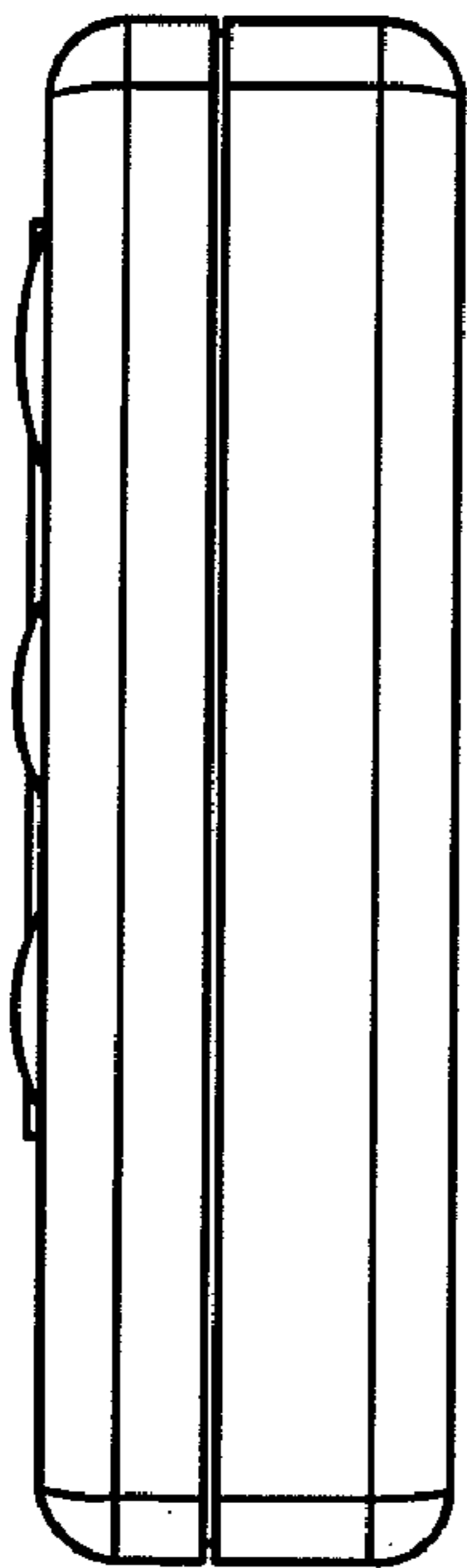


FIG - 6

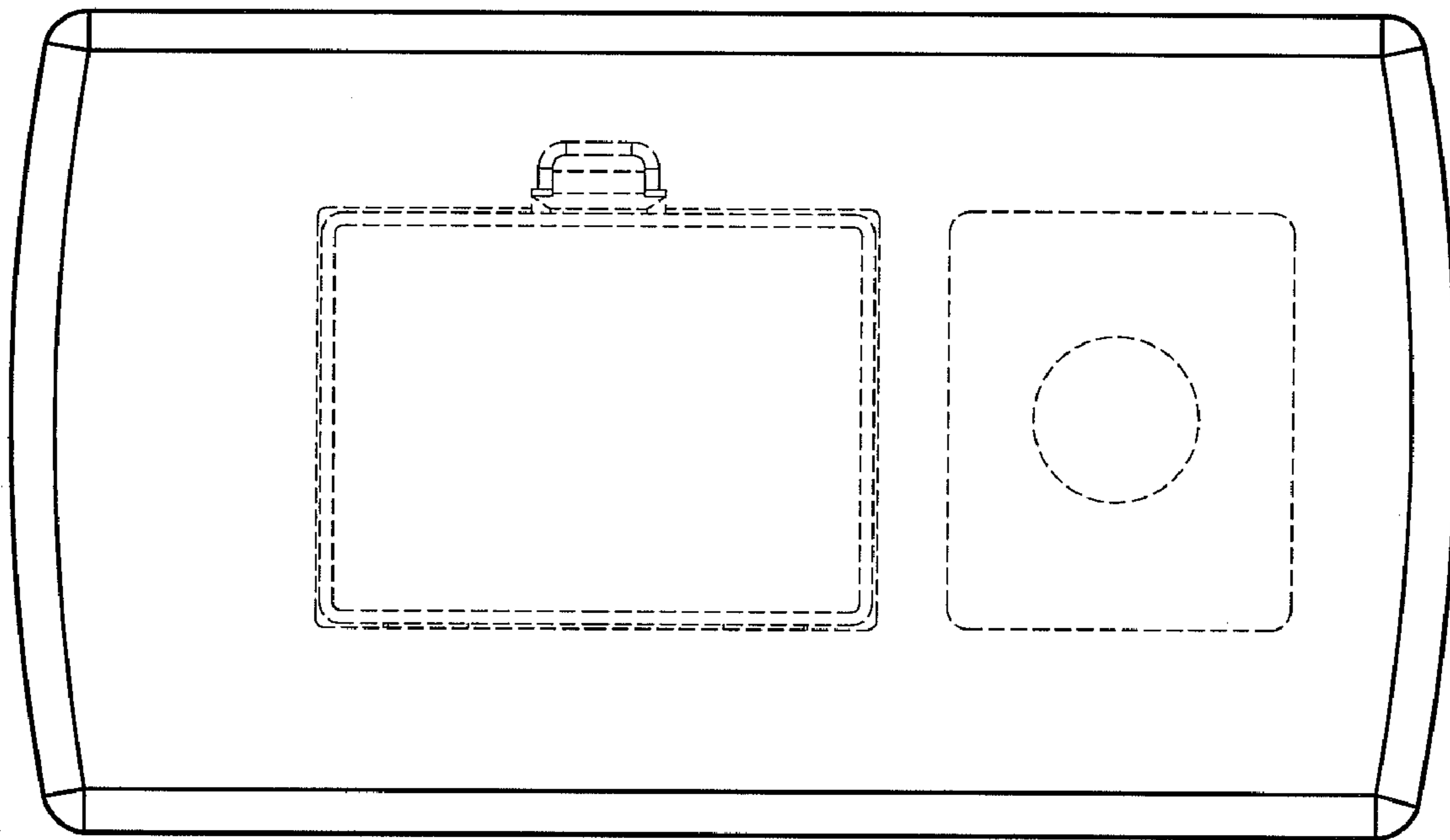


FIG - 7

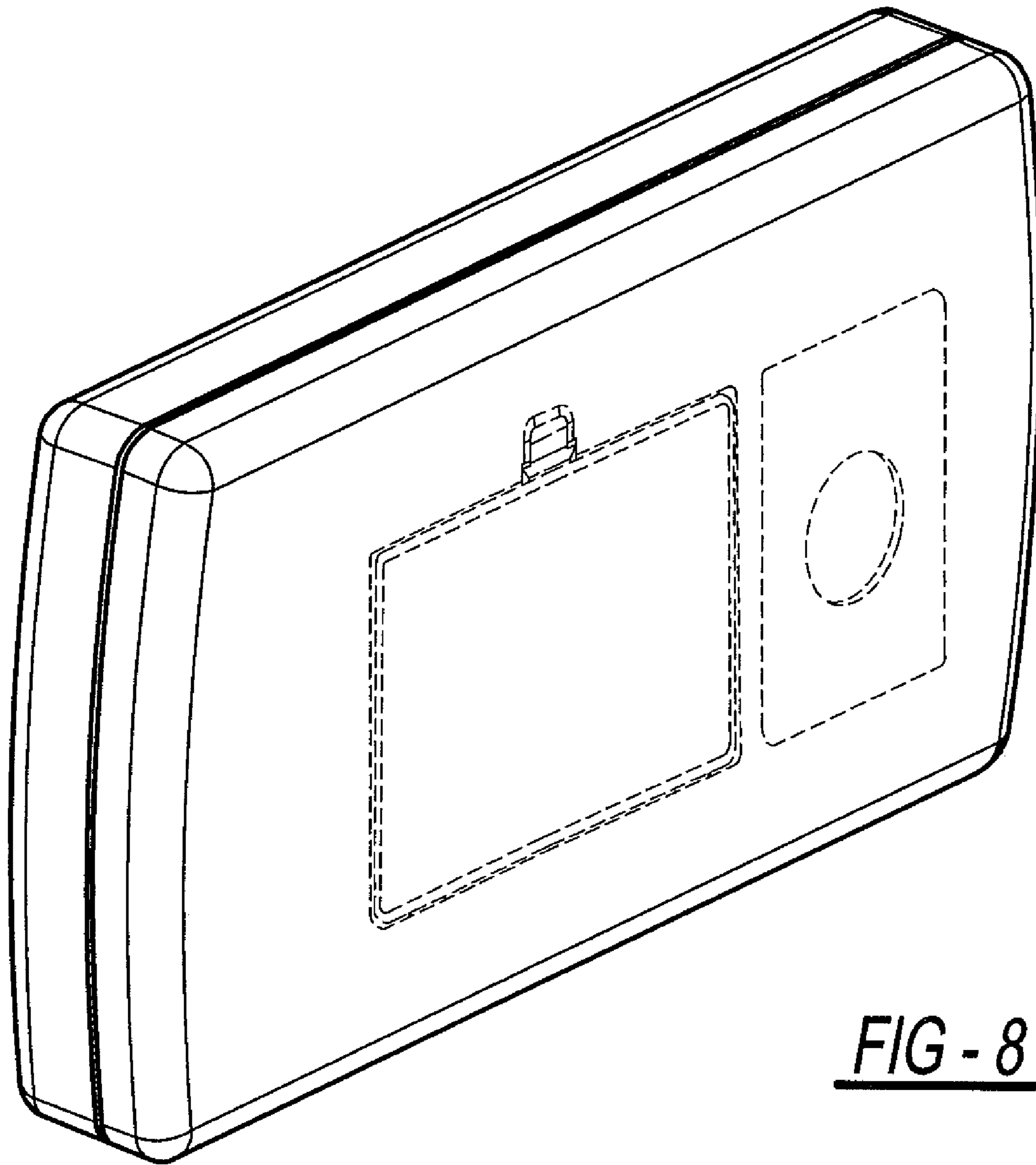


FIG - 8