



US00D622393S

(12) **United States Design Patent**  
**Gatrall et al.**

(10) **Patent No.:** **US D622,393 S**

(45) **Date of Patent:** **\*\* \*Aug. 24, 2010**

(54) **HAND-HELD METER**

D417,504 S \* 12/1999 Love et al. .... D24/169  
D601,257 S 9/2009 Berlinger et al.

(75) Inventors: **Simon P. Gatrall**, San Francisco, CA (US); **Robin S. Gaffney**, Redwood City, CA (US); **Kelley J. Lipman**, Livermore, CA (US); **Anthony Piazza**, Palo Alto, CA (US); **Jennifer E. Davis-Wilson**, Mountain View, CA (US); **Arna D. Ionescu**, San Francisco, CA (US)

\* cited by examiner

*Primary Examiner*—Antoine D Davis  
(74) *Attorney, Agent, or Firm*—Buchanan Ingersoll & Rooney PC

(73) Assignee: **Intuity Medical, Inc.**, Sunnyvale, CA (US)

(57) **CLAIM**

The ornamental design for a hand-held meter, as shown and described.

(\*\*) Term: **14 Years**

(21) Appl. No.: **29/338,117**

**DESCRIPTION**

(22) Filed: **Jun. 4, 2009**

(51) **LOC (9) Cl.** ..... **24-01**

FIG. 1 is a perspective view of a hand-held meter according to our new design.

(52) **U.S. Cl.** ..... **D24/169; D24/186**

FIG. 2 is a top plan view thereof.

(58) **Field of Classification Search** ..... D10/78-79;  
324/72.5, 556, 133, 149, 503, 543, 555, 66,  
324/72, 754; 340/635; 362/119; D24/169,  
D24/186; 435/14, 283.1, 287.1, 4, 970; 702/19,  
702/62, 57, 63; 33/760; 206/53; 242/381.2;  
600/584, 485, 501

FIG. 3 is a bottom plan view thereof.

FIG. 4 is a right side elevational view thereof.

FIG. 5 is a left side elevational view thereof.

FIG. 6 is a front elevational view thereof; and,

FIG. 7 is a rear elevational view thereof.

See application file for complete search history.

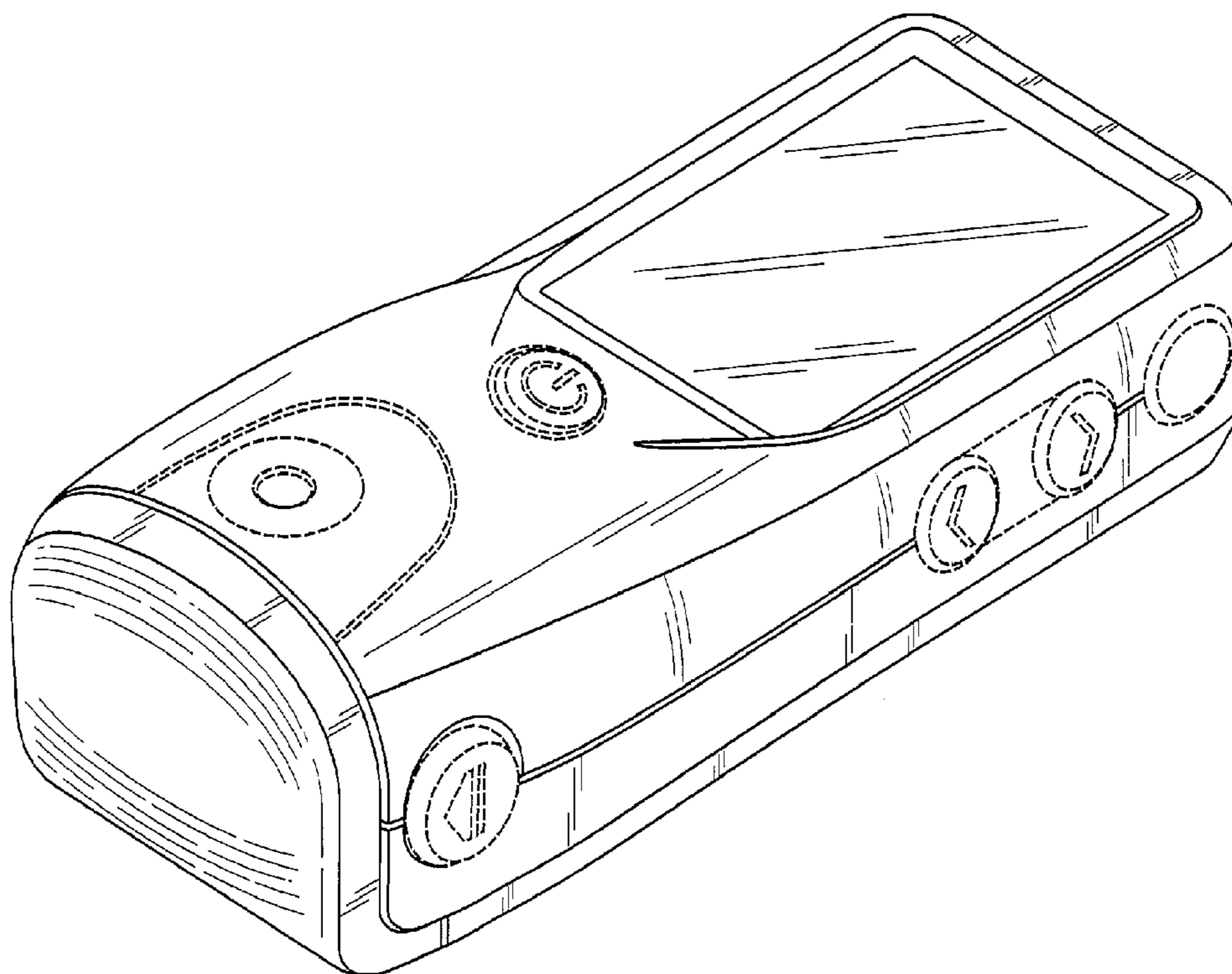
The broken line showing of various features of the hand-held meter are for illustrational purposes only and form no part of the claimed design.

(56) **References Cited**

**U.S. PATENT DOCUMENTS**

D411,621 S \* 6/1999 Eisenbarth et al. .... D24/169

**1 Claim, 4 Drawing Sheets**



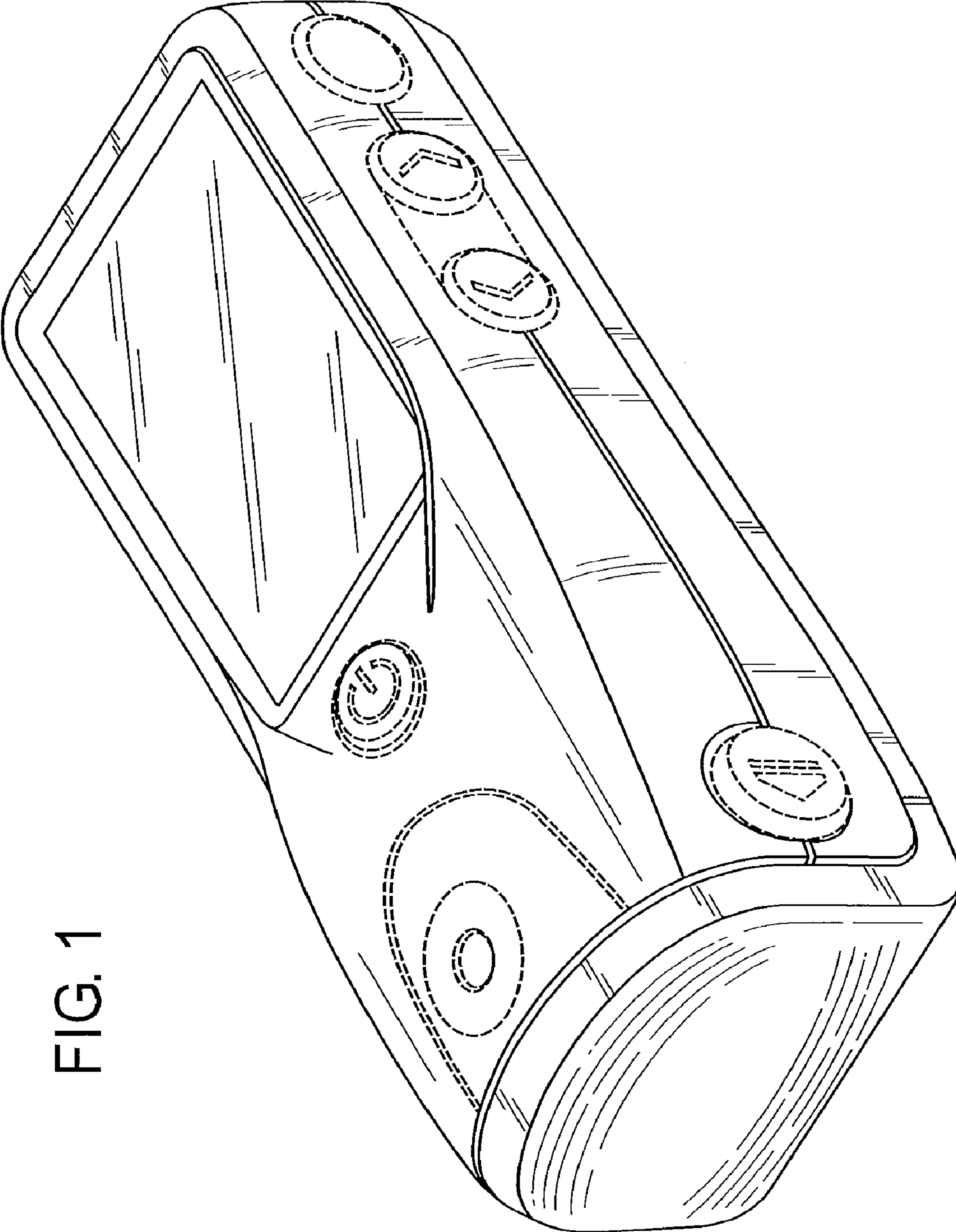


FIG. 1

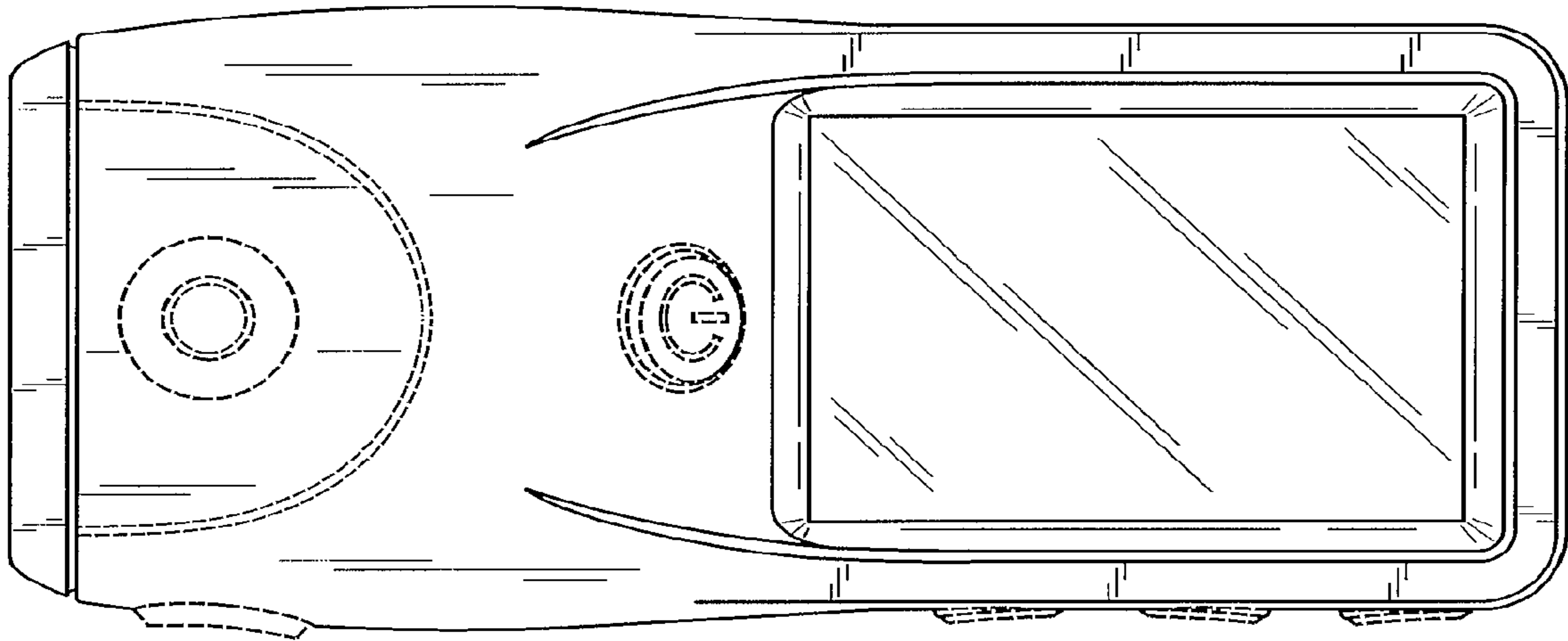


FIG. 2

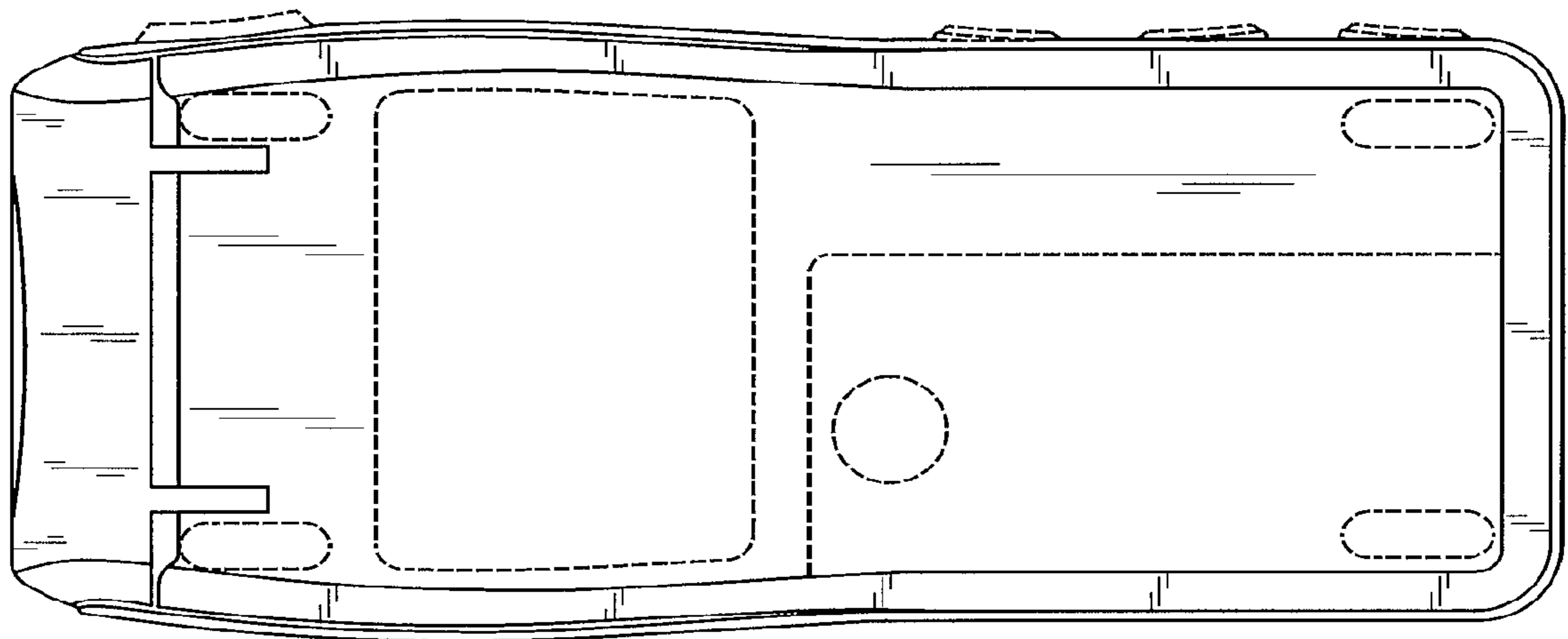


FIG. 3

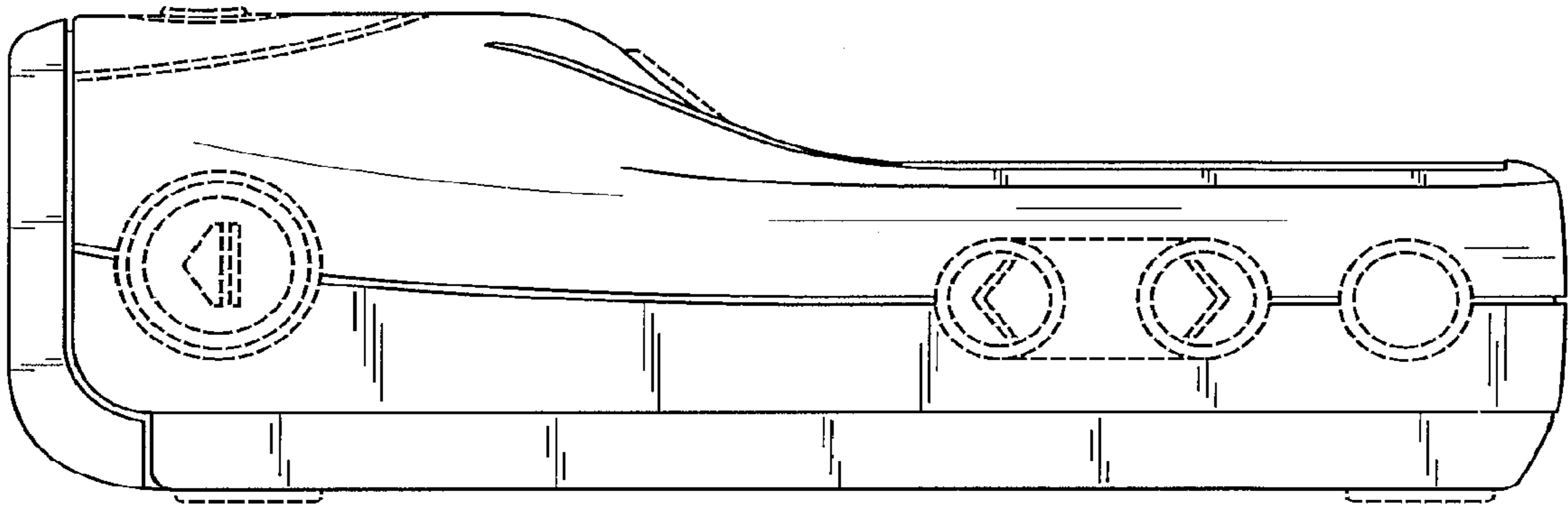


FIG. 4

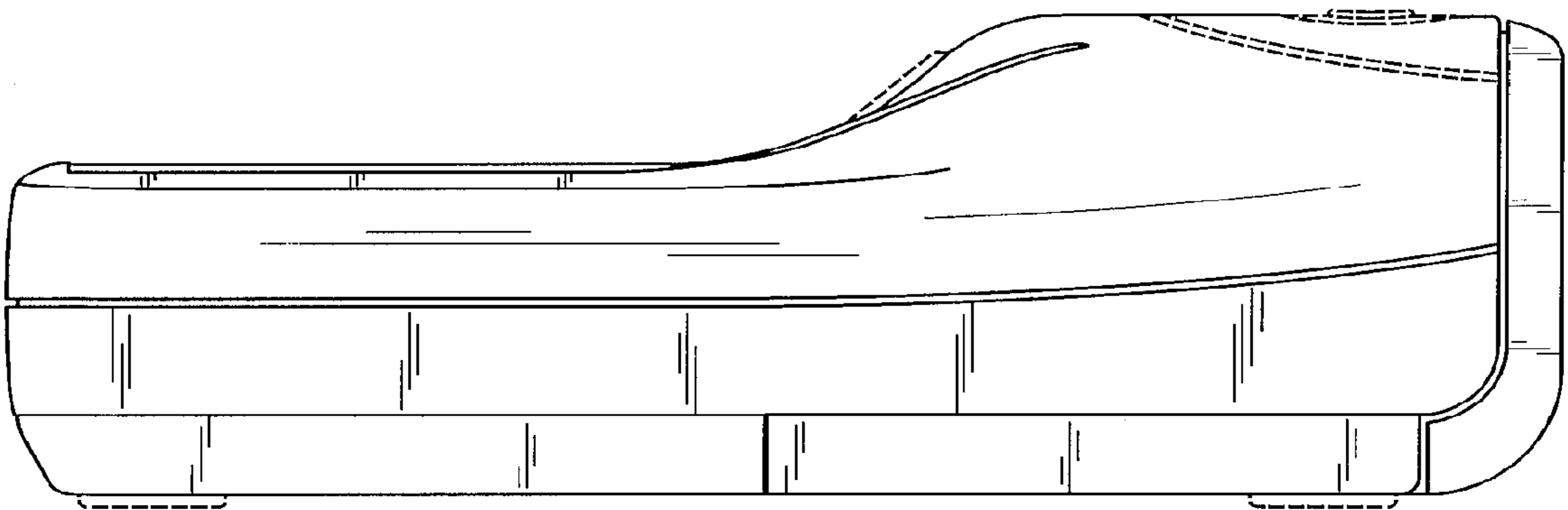


FIG. 5

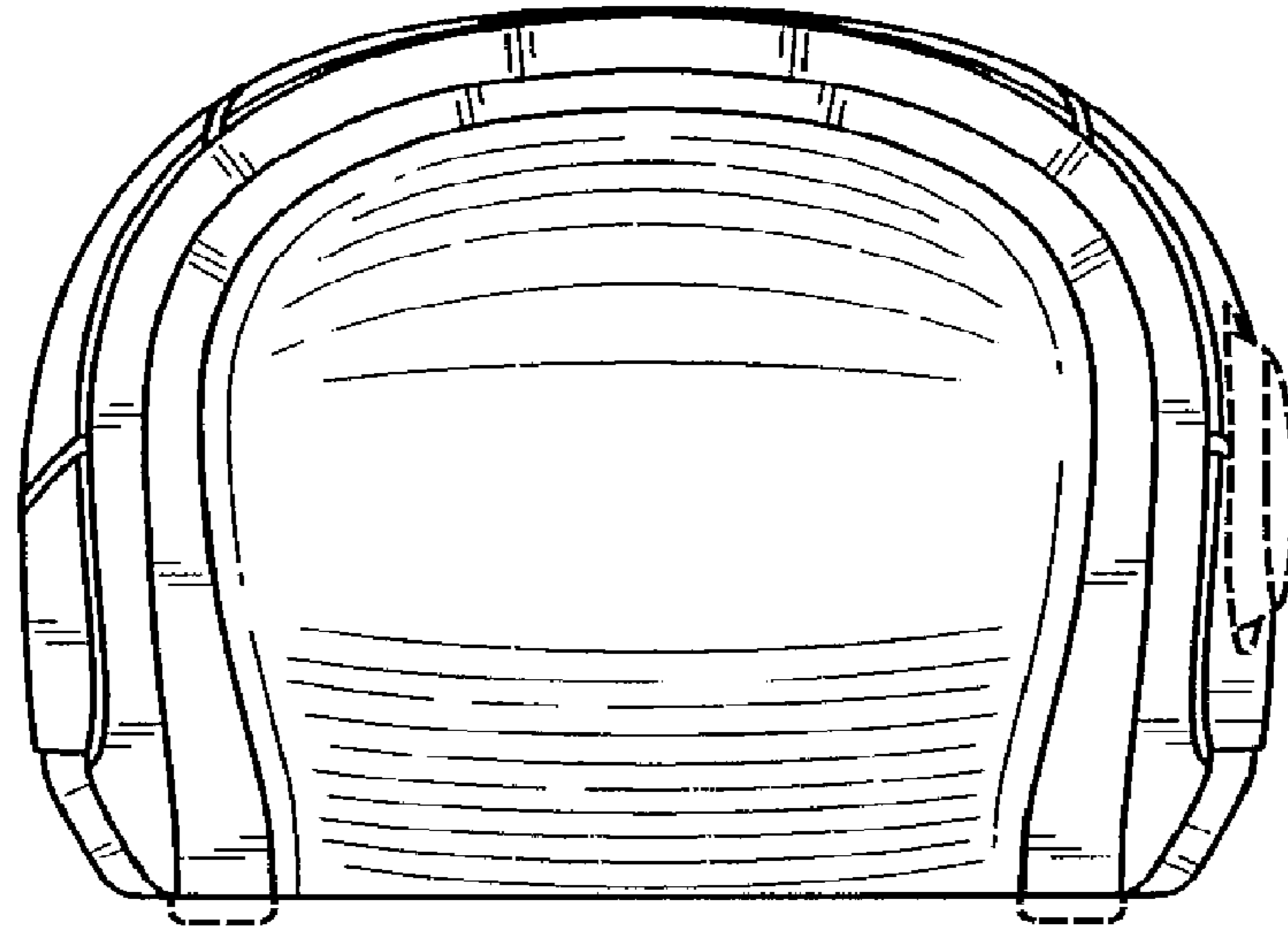


FIG. 6

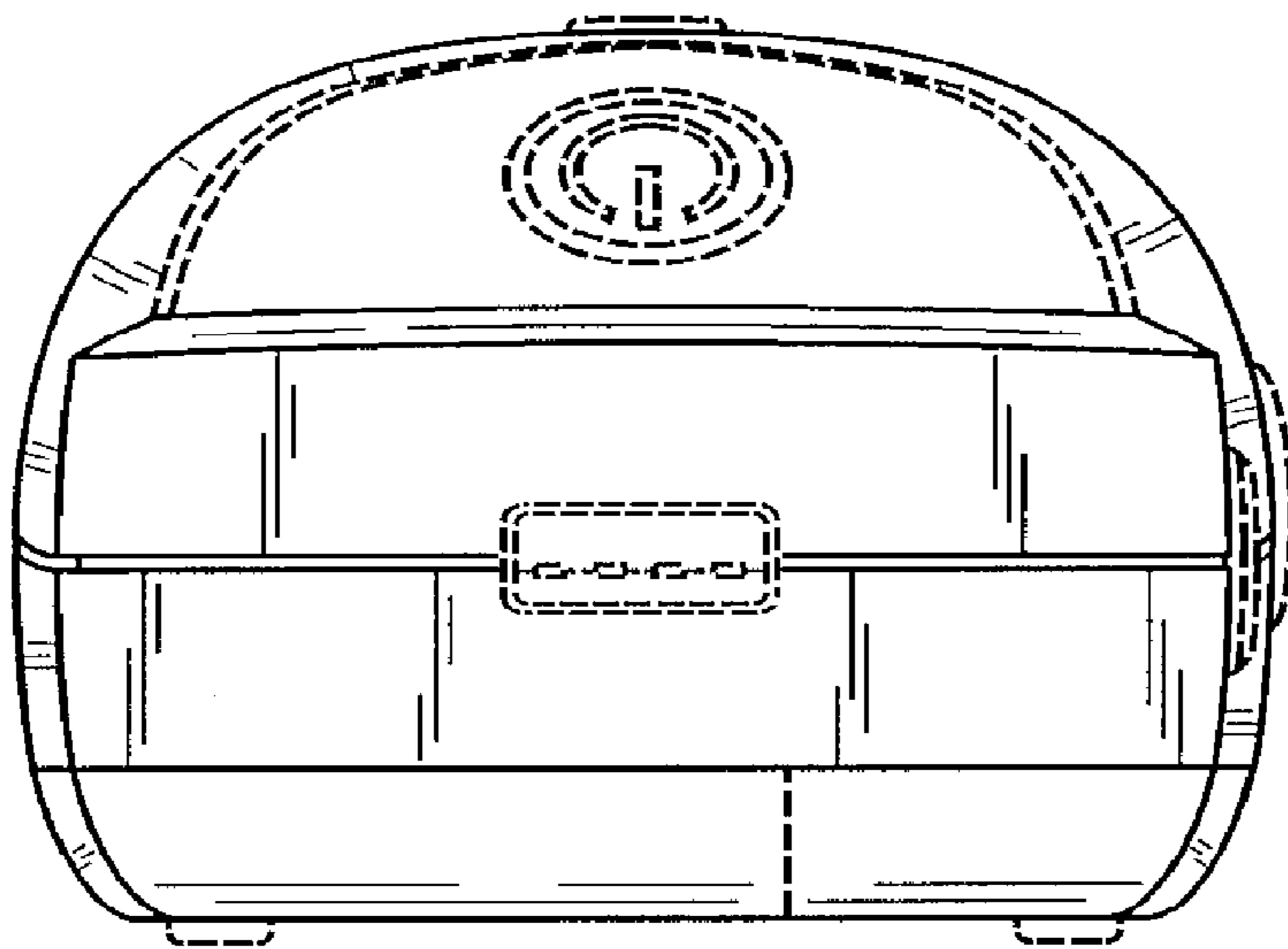


FIG. 7