



US00D622390S

(12) **United States Design Patent**
Shibata et al.

(10) **Patent No.:** **US D622,390 S**
(45) **Date of Patent:** **** Aug. 24, 2010**

(54) **SPHYGMOMANOMETER**

D341,658 S 11/1993 Kojima
5,511,551 A 4/1996 Sano et al.

(75) Inventors: **Fumie Shibata**, Tokyo (JP); **Yuki Shibata**, Tokyo (JP); **Tadashi Koike**, Kyoto (JP); **Tomohiro Kukita**, Kyoto (JP); **Masataka Yanagase**, Osaka (JP); **Yukiko Mitsunami**, Otsu (JP)

(Continued)

FOREIGN PATENT DOCUMENTS

JP 1140559 5/2002

(Continued)

(73) Assignee: **Omron Healthcare Co., Ltd.**, Kyoto (JP)

OTHER PUBLICATIONS

RD 000223979 0001-0006, Sphygmometers, Nov. 30, 2004.

(Continued)

(**) Term: **14 Years**

Primary Examiner—T. Chase Nelson

Assistant Examiner—Anhdao Doan

(21) Appl. No.: **29/344,013**

(74) *Attorney, Agent, or Firm*—Capitol City TechLaw

(22) Filed: **Sep. 22, 2009**

(57) **CLAIM**

Related U.S. Application Data

(62) Division of application No. 29/318,599, filed on May 22, 2008, now Pat. No. Des. 609,812.

The ornamental design for a sphygmomanometer, as shown and described.

(30) **Foreign Application Priority Data**

DESCRIPTION

Nov. 30, 2007 (JP) 2007-032943
Nov. 30, 2007 (JP) 2007-032944
Nov. 30, 2007 (JP) 2007-032945
Nov. 30, 2007 (JP) 2007-032946
Nov. 30, 2007 (JP) 2007-032947

FIG. 1 is a front perspective view of a sphygmomanometer showing our new design;

FIG. 2 is a front elevational view thereof;

FIG. 3 is a rear elevational view thereof;

FIG. 4 is a top plan view thereof;

FIG. 5 is a bottom plan view thereof;

FIG. 6 is a right side elevational view thereof;

FIG. 7 is a left side elevational view thereof;

FIG. 8 is a front perspective view thereof with an armband shown in an opened position; and,

FIG. 9 is a right side elevational view thereof with the armband shown in an opened position.

(51) **LOC (9) Cl.** **24-02**

(52) **U.S. Cl.** **D24/165**

(58) **Field of Classification Search** D24/165–168, D24/186; D10/98; 600/301, 481, 483, 485, 600/490, 493–495, 500, 501, 503; 128/900
See application file for complete search history.

The broken lines in the drawing views are included for the purpose of illustrating portions of the sphygmomanometer that form no part of the claimed design.

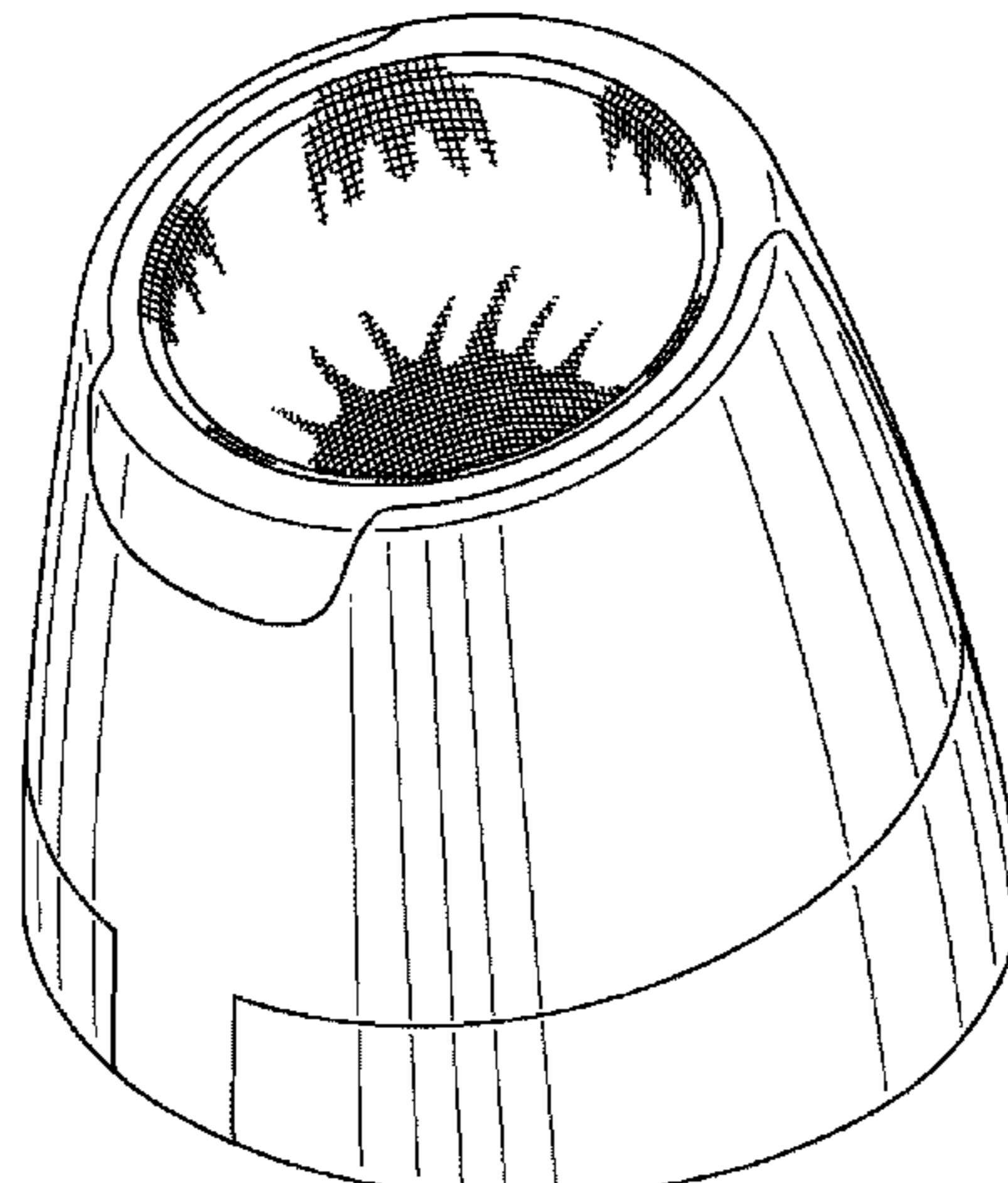
The net shading appearing in FIGS. 1, 2, 4 and 8 represents fabric and is understood to extend uniformly throughout the area represented.

(56) **References Cited**

U.S. PATENT DOCUMENTS

3,935,984 A 2/1976 Lichowsky et al.
D244,235 S 5/1977 Lichowsky
4,058,117 A 11/1977 Kaspari et al.
D254,629 S 4/1980 Yen
D290,876 S 7/1987 Arduini et al.
D321,562 S 11/1991 Ljungvall

1 Claim, 5 Drawing Sheets



US D622,390 S

Page 2

U.S. PATENT DOCUMENTS

D438,970 S * 3/2001 TerMeer et al. D24/165
6,213,953 B1 4/2001 Reeves
D445,504 S * 7/2001 Deaton et al. D24/165
D445,900 S * 7/2001 Nalbandian et al. D24/165
D447,568 S 9/2001 Hall et al.
D475,137 S * 5/2003 Manke et al. D24/165
6,714,814 B2 3/2004 Yamada et al.
D489,113 S 4/2004 Peterson
6,726,633 B2 4/2004 Kitagawa
D530,012 S 10/2006 Eda et al.
7,207,944 B2 * 4/2007 Fumuro et al. 600/499
7,232,413 B2 6/2007 Hashimoto et al.
D560,279 S 1/2008 Eda et al.
7,316,653 B2 * 1/2008 Sano et al. 600/499

D561,339 S 2/2008 Eda et al.
2006/0064022 A1 * 3/2006 Yang et al. 600/490
2007/0167845 A1 * 7/2007 Sasagawa et al. 600/490

FOREIGN PATENT DOCUMENTS

JP 1200780 4/2004
JP 1216857 9/2004
JP 1284981 10/2006

OTHER PUBLICATIONS

Terumo Corporation, Brochure, Terumo Corporation, "Arm In® Plus", Electronic Sphygmomanometer, ES-P2000U, published Aug. 2005.

* cited by examiner

FIG. 1

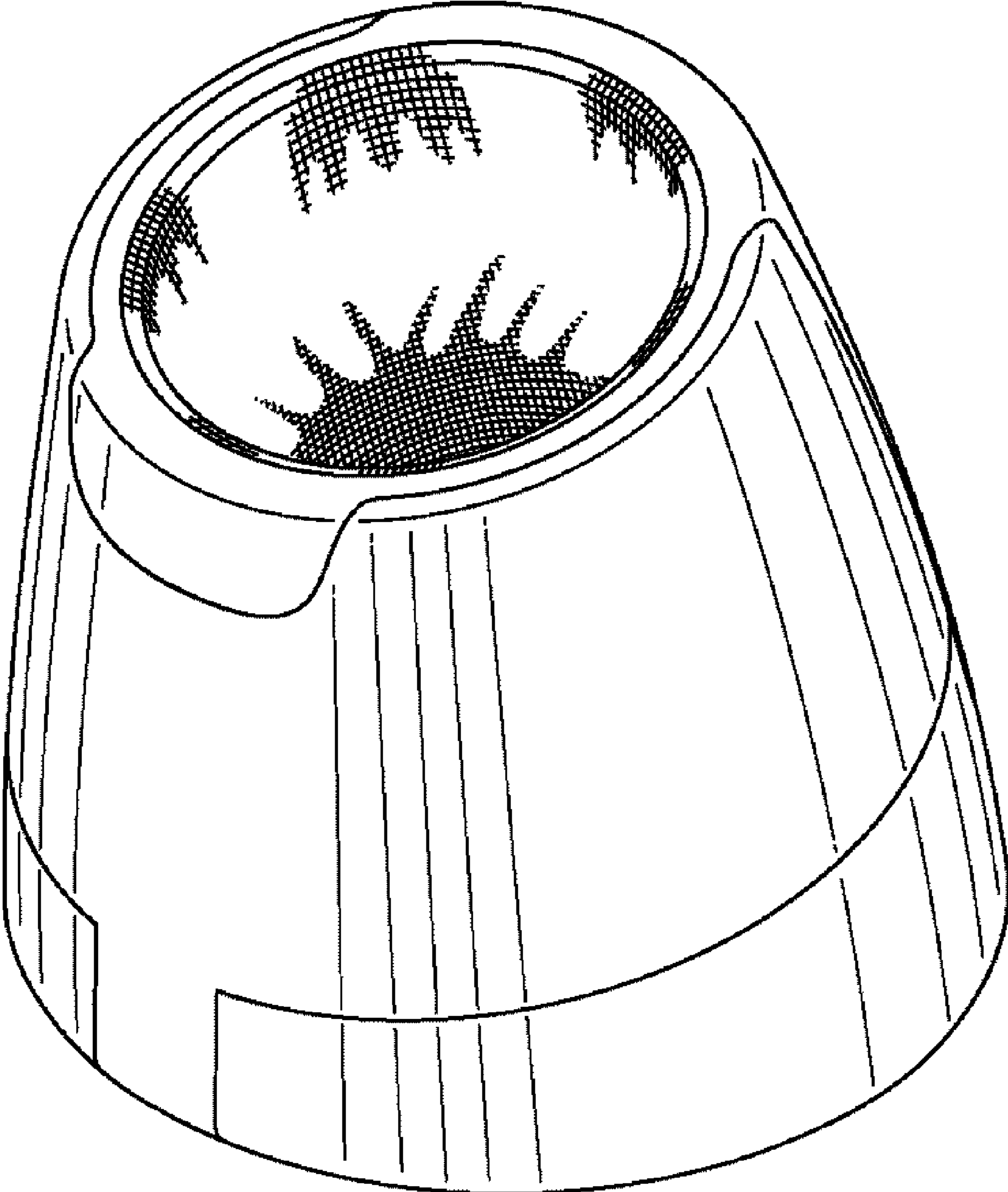


FIG. 2

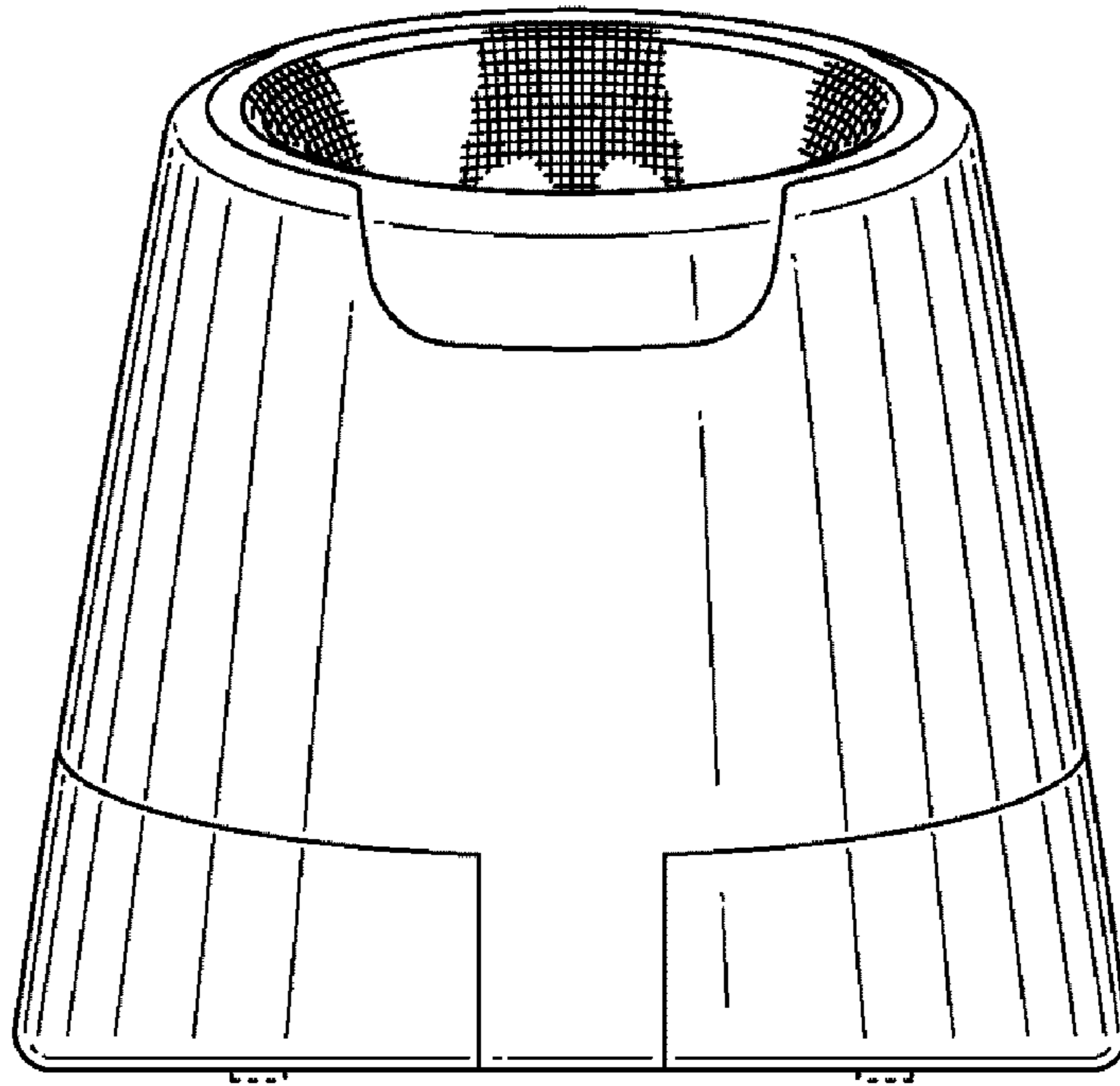


FIG. 3

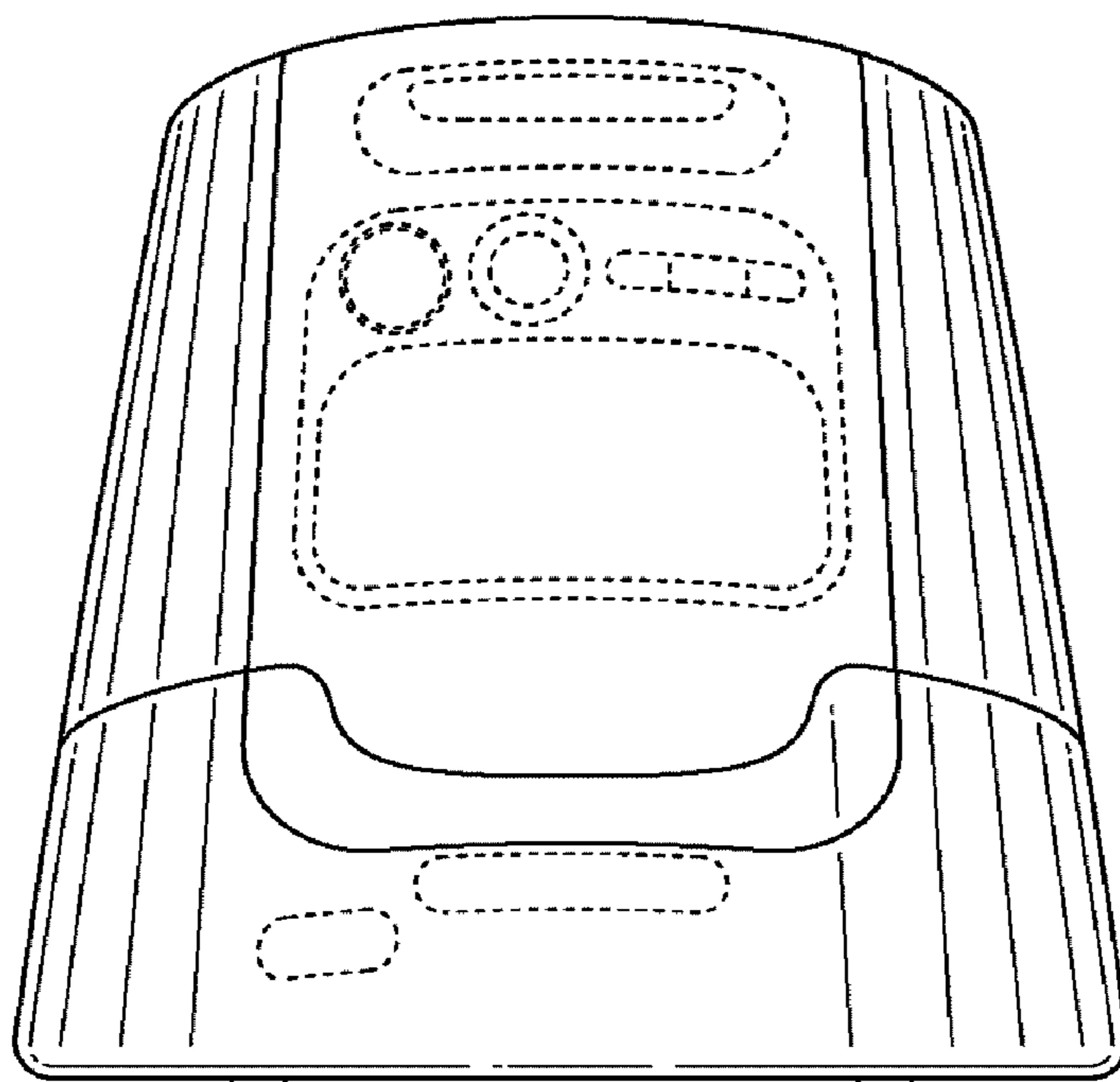


FIG. 4

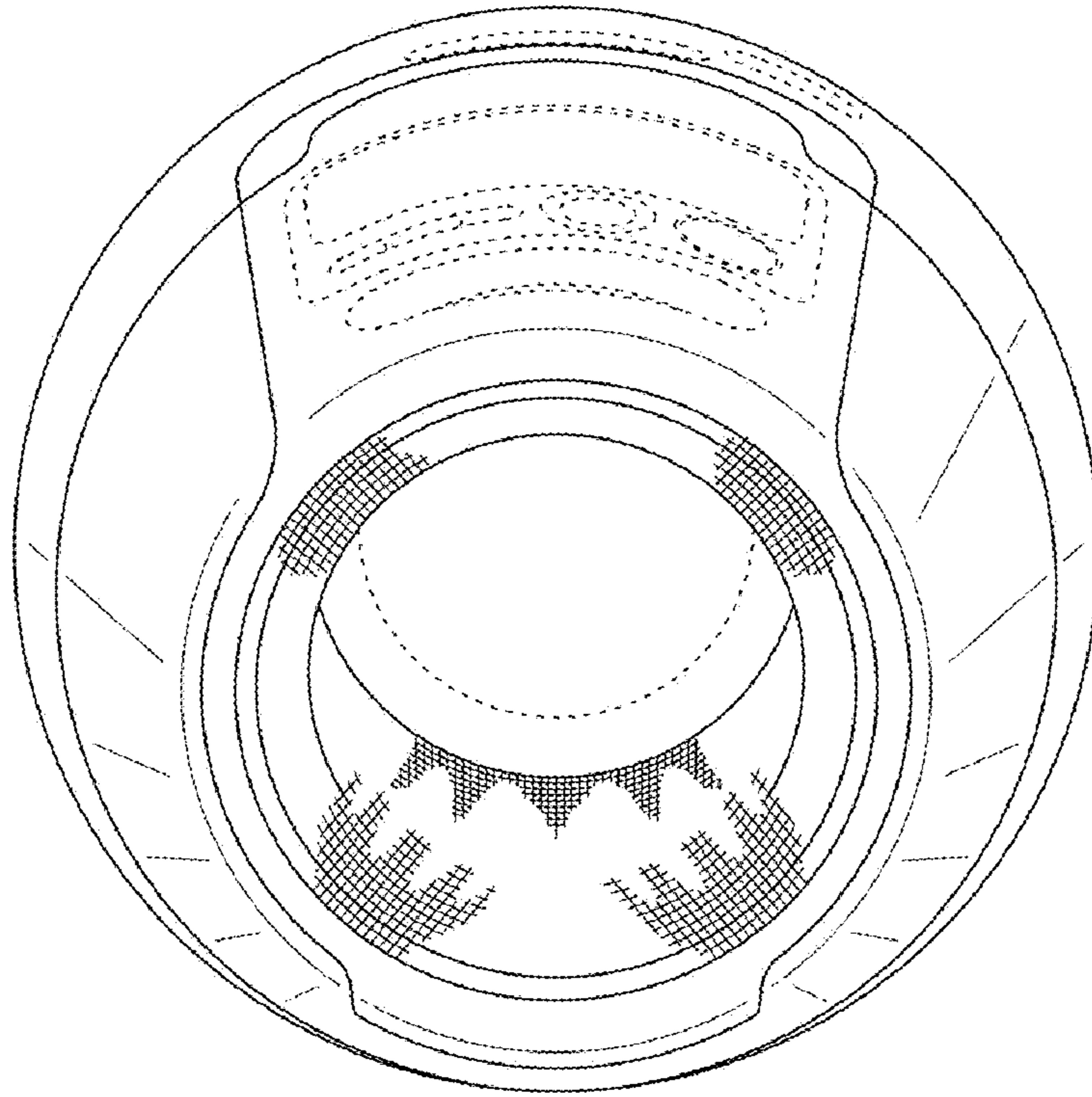


FIG. 5

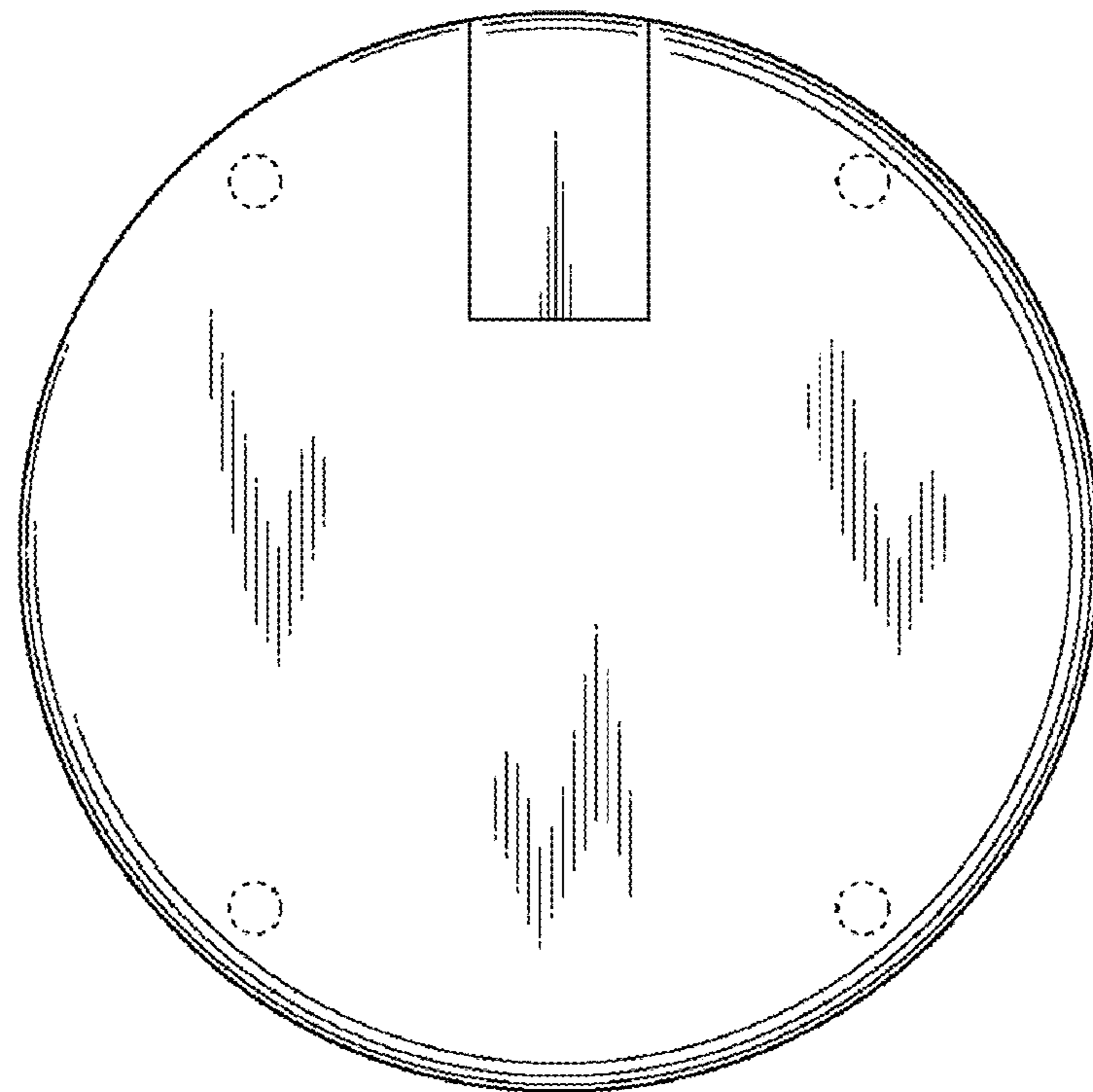


FIG. 6

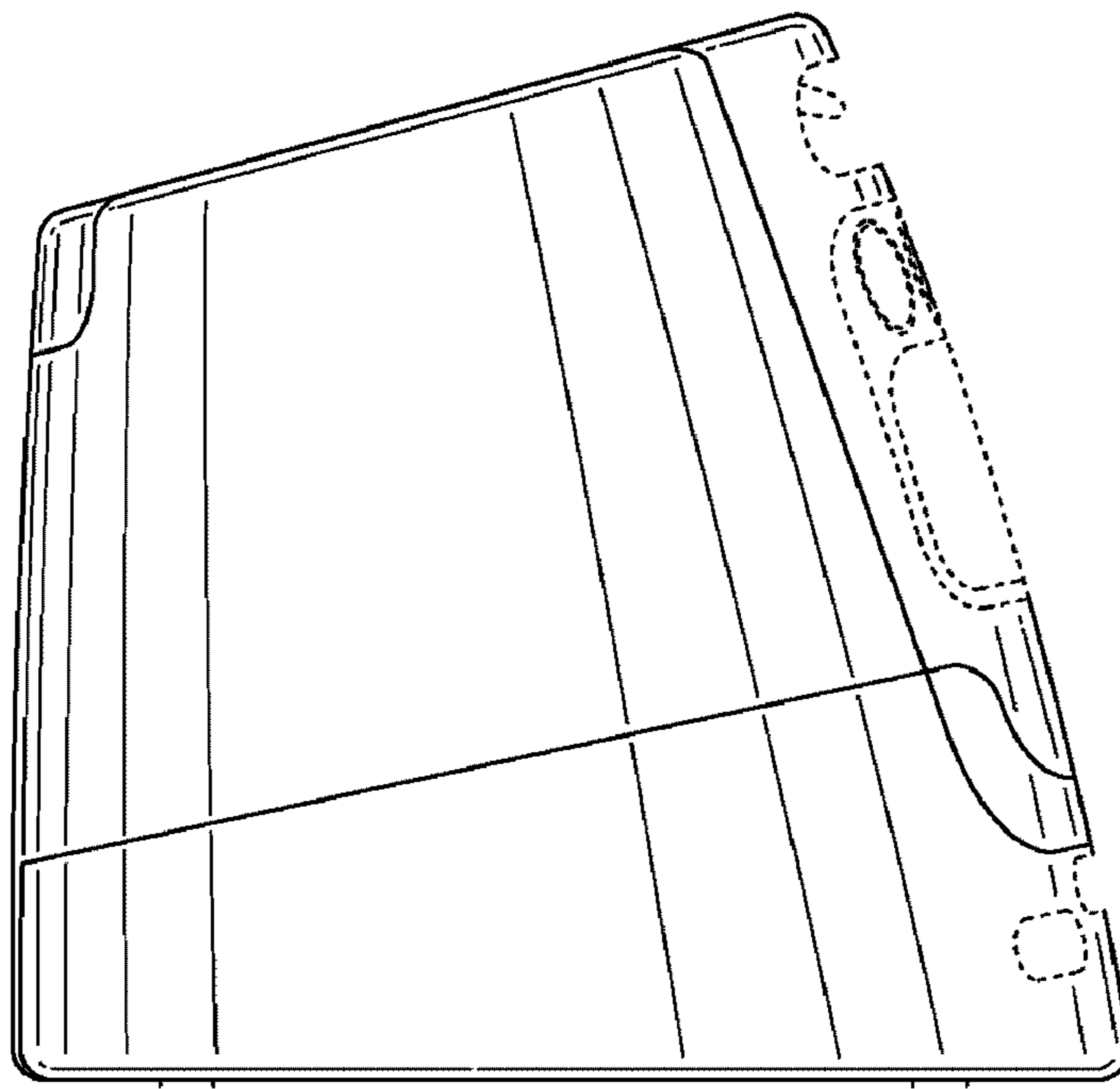


FIG. 7

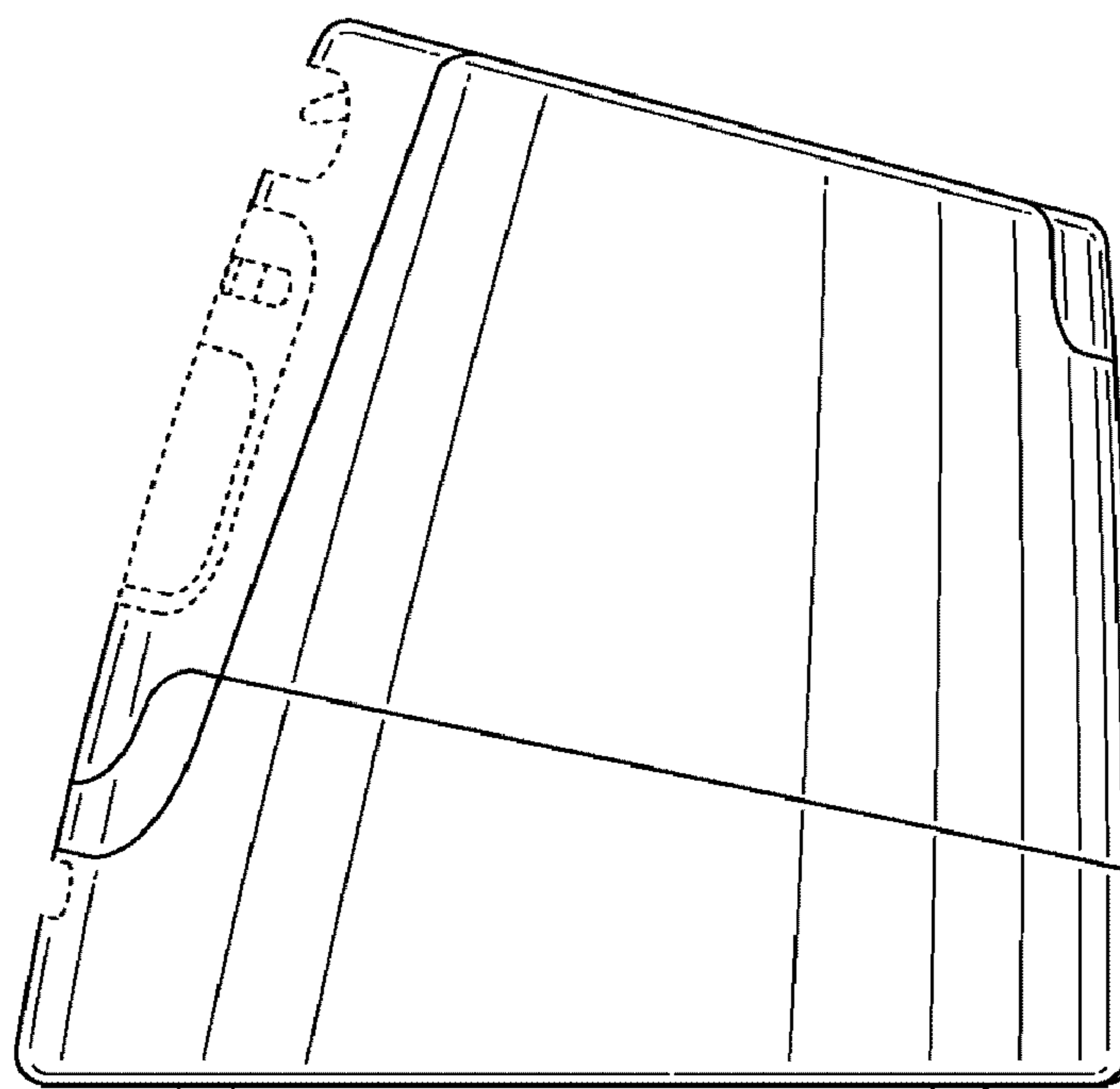


FIG. 8

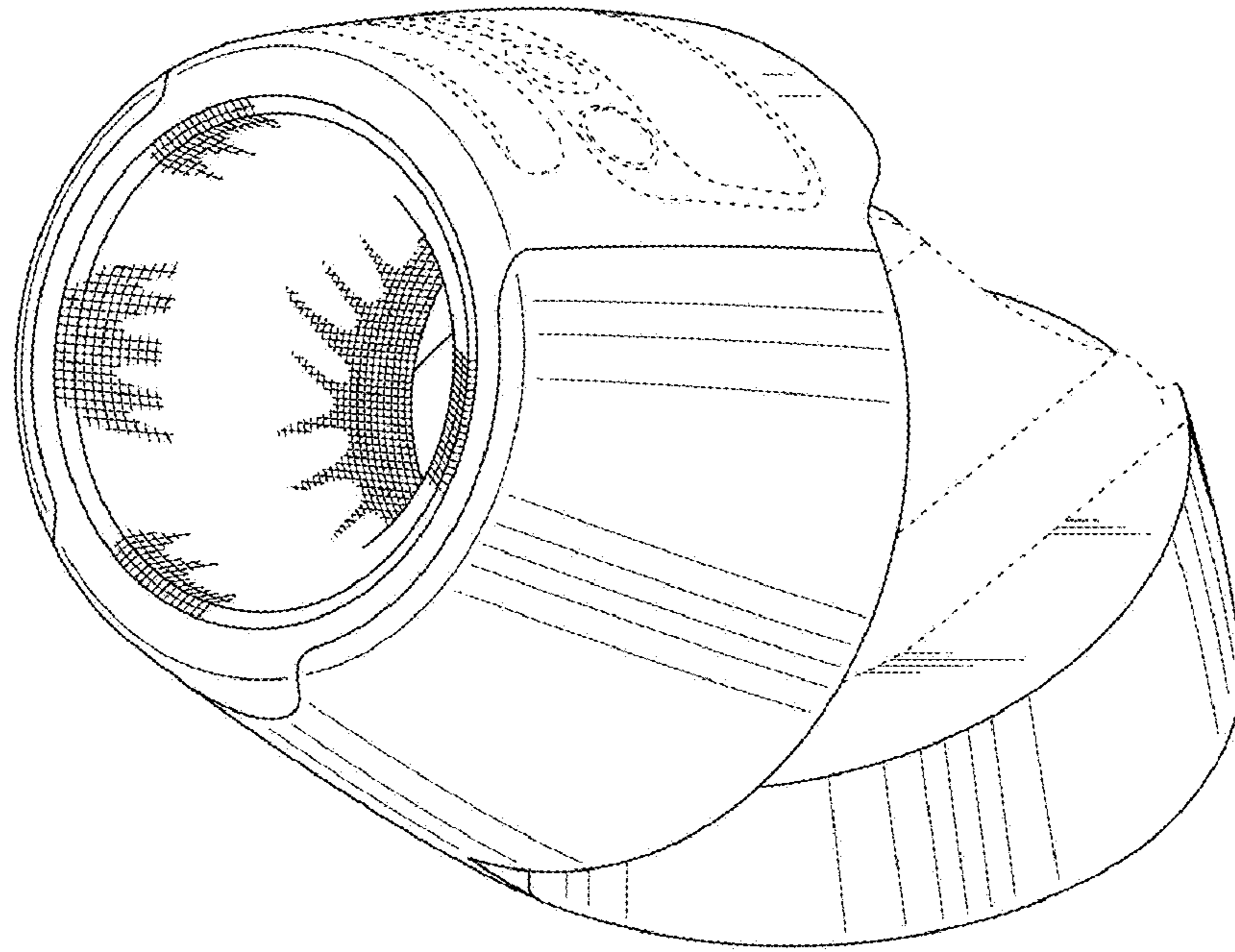


FIG. 9

