



US00D622388S

(12) **United States Design Patent**
Igaki

(10) **Patent No.:** **US D622,388 S**

(45) **Date of Patent:** **** Aug. 24, 2010**

(54) **STENT**

(75) Inventor: **Keiji Igaki**, Kyoto (JP)

(73) Assignee: **Kabushikikaisha Kyoto Iryo Sekkei**,
Kyoto (JP)

(**) Term: **14 Years**

(21) Appl. No.: **29/335,831**

(22) Filed: **Apr. 22, 2009**

(30) **Foreign Application Priority Data**

Jan. 8, 2009 (JP) 2009-000229

(51) **LOC (9) Cl.** **24-03**

(52) **U.S. Cl.** **D24/155**

(58) **Field of Classification Search** D24/155-157;
D11/154, 153; 623/1.13-1.23; 604/1.02,
604/103.02

See application file for complete search history.

(56) **References Cited**

U.S. PATENT DOCUMENTS

D380,266	S	*	6/1997	Boatman et al.	D24/155
D390,831	S	*	2/1998	Liang	D13/178
5,776,161	A	*	7/1998	Globerman	606/194
D481,139	S	*	10/2003	Seibold et al.	D24/155
D481,809	S	*	11/2003	Maupin et al.	D26/28
D484,979	S	*	1/2004	Fontaine	D24/155
6,884,260	B2	*	4/2005	Kugler et al.	623/1.15
7,041,126	B2	*	5/2006	Shin et al.	623/1.13
D553,746	S	*	10/2007	Fliedner	D24/155
D553,747	S	*	10/2007	Fliedner	D24/155
D568,476	S	*	5/2008	Cottone et al.	D24/155
D569,976	S	*	5/2008	Raj D et al.	D24/155
D581,054	S	*	11/2008	Moore	D24/155

* cited by examiner

Primary Examiner—Charles A Rademaker
(74) *Attorney, Agent, or Firm*—K&L Gates LLP

(57) **CLAIM**

I claim the ornamental design for a stent, as shown and described.

DESCRIPTION

The copyright owner has no objection to the photocopy reproduction by anyone of the patent document or the patent disclosure in exactly the form it appears in the U.S. Patent and Trademark Office patent file or records, but otherwise reserves all copyright rights whatsoever.

FIG. 1 is front view of one embodiment of the stent.

FIG. 2 is a rear view of the stent of FIG. 1.

FIG. 3 is a top plan view of the stent of FIG. 1.

FIG. 4 is a bottom view of the stent of FIG. 1.

FIG. 5 is a right-side view of the stent of FIG. 1.

FIG. 6 is a left-side view of the stent of FIG. 1.

FIG. 7 is an enlarged, right-side view of the stent of FIG. 1.

FIG. 8 is an enlarged, left-side view of the stent of FIG. 1.

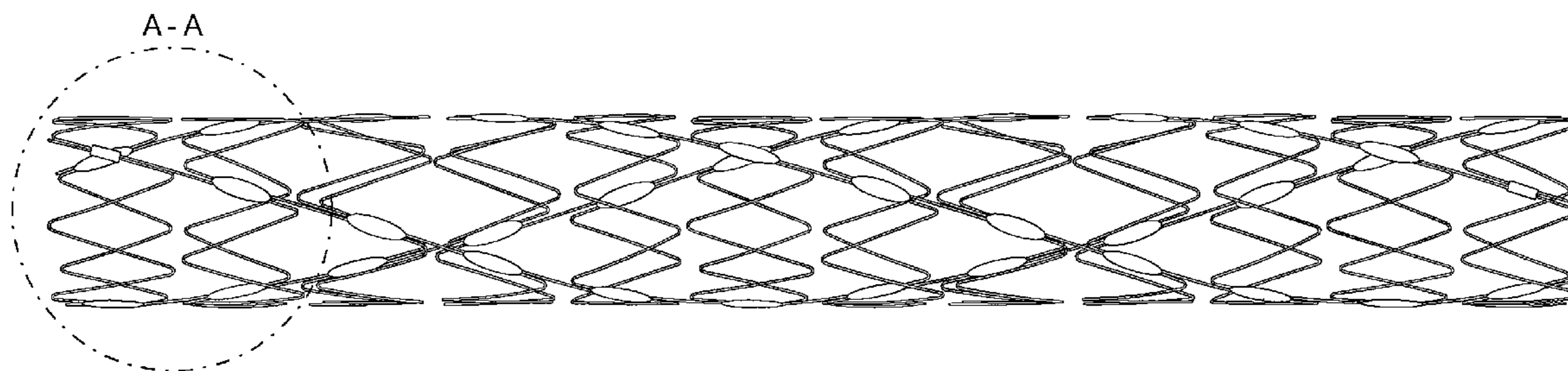
FIG. 9 is an enlarged view of the stent taken substantially along section A—A of FIG. 1.

FIG. 10 is a fragmentary, front view of the stent of FIG. 1, where the rear of the stent is removed for purposes of illustrating the front of the stent; and,

FIG. 11 is partially enlarged left-side perspective view of the stent taken substantially along section A—A of FIG. 1.

The vessel portion of a living body shown in broken lines is for illustrative purposes only and forms no part of the claimed design.

1 Claim, 7 Drawing Sheets



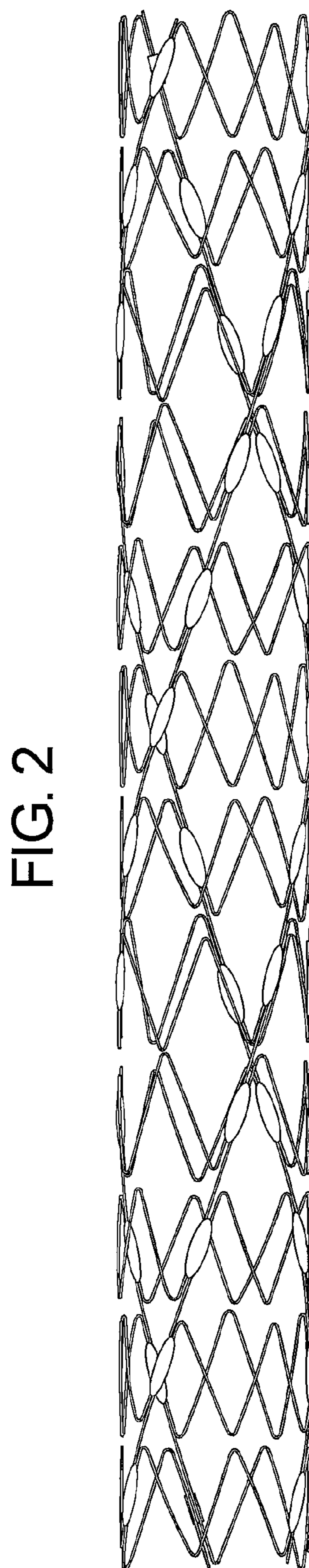
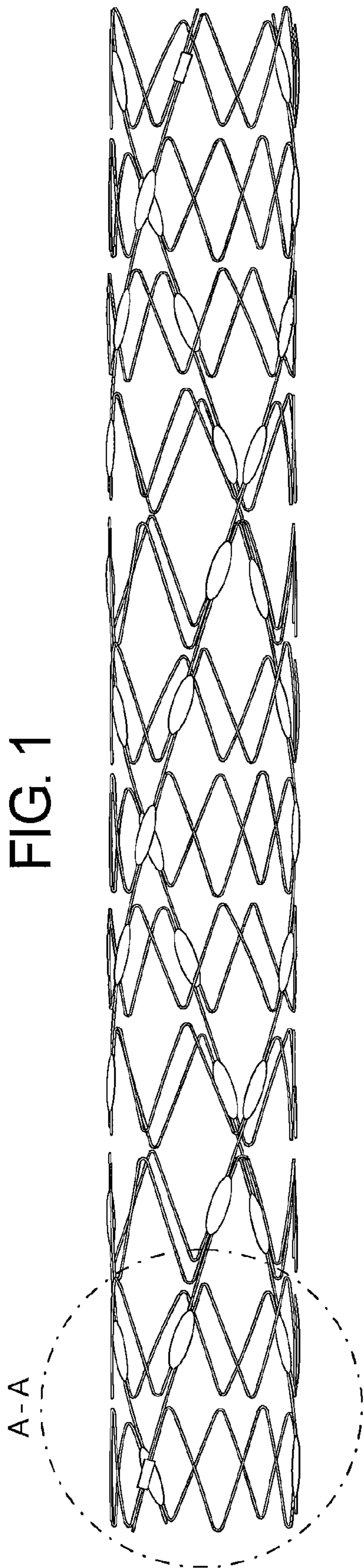


FIG. 3

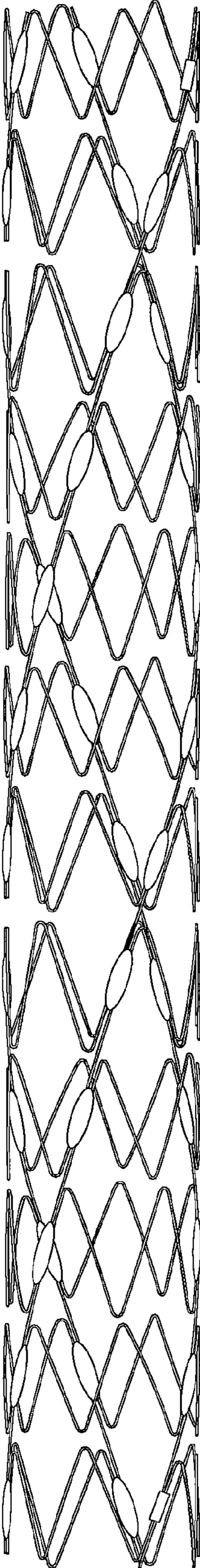


FIG. 4

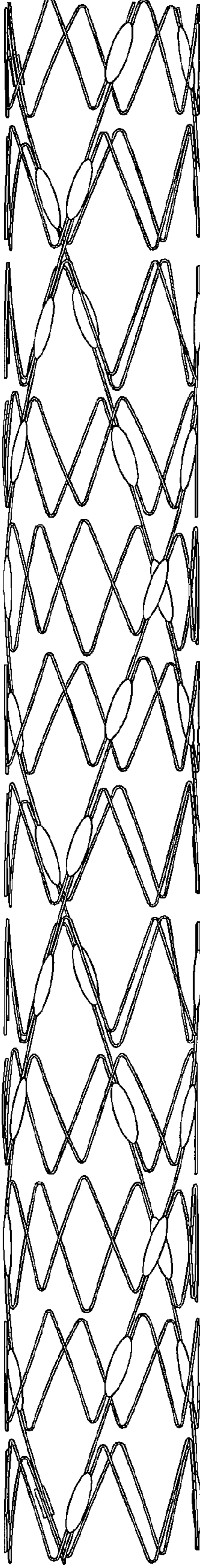


FIG. 5

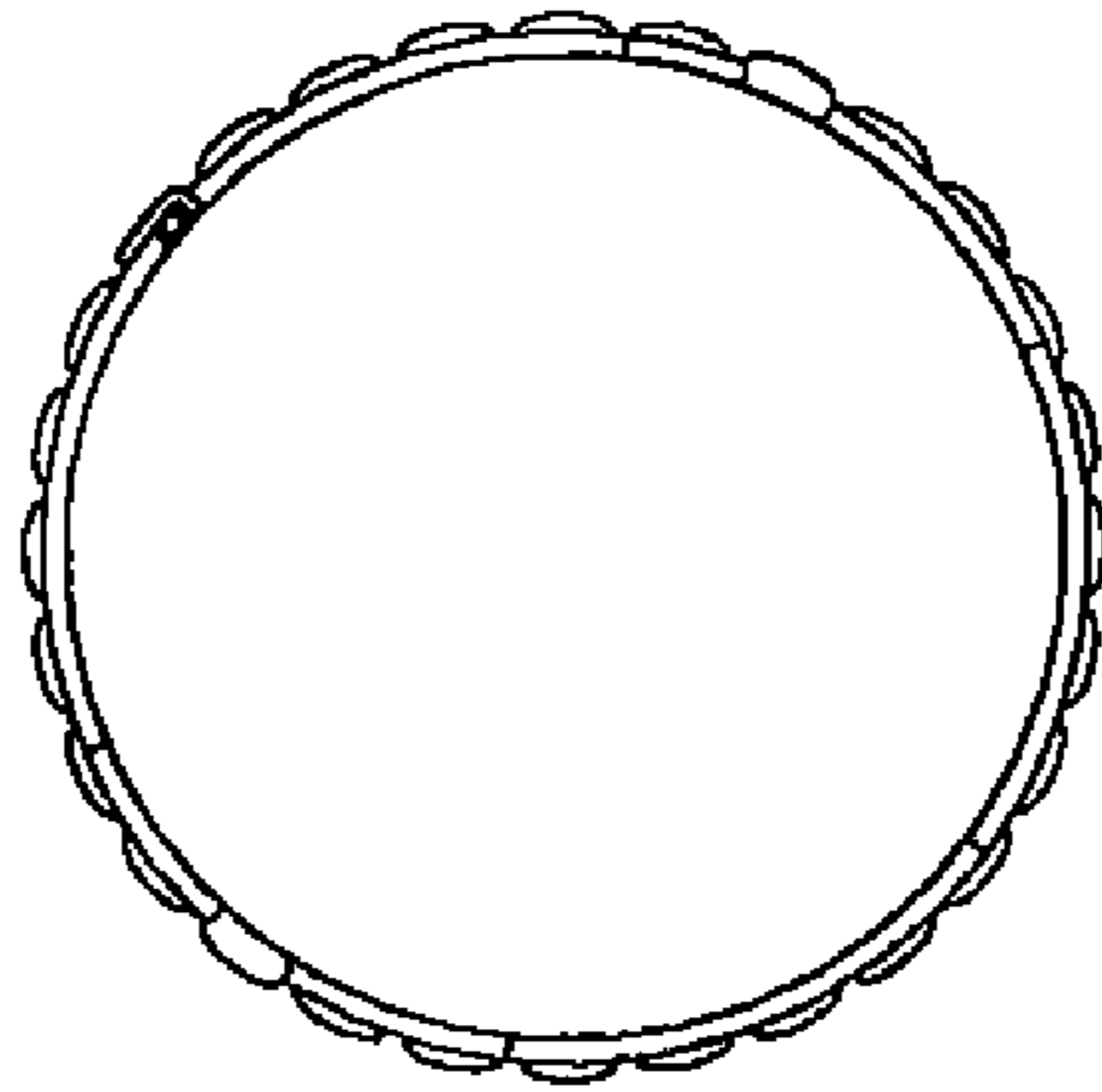


FIG. 6

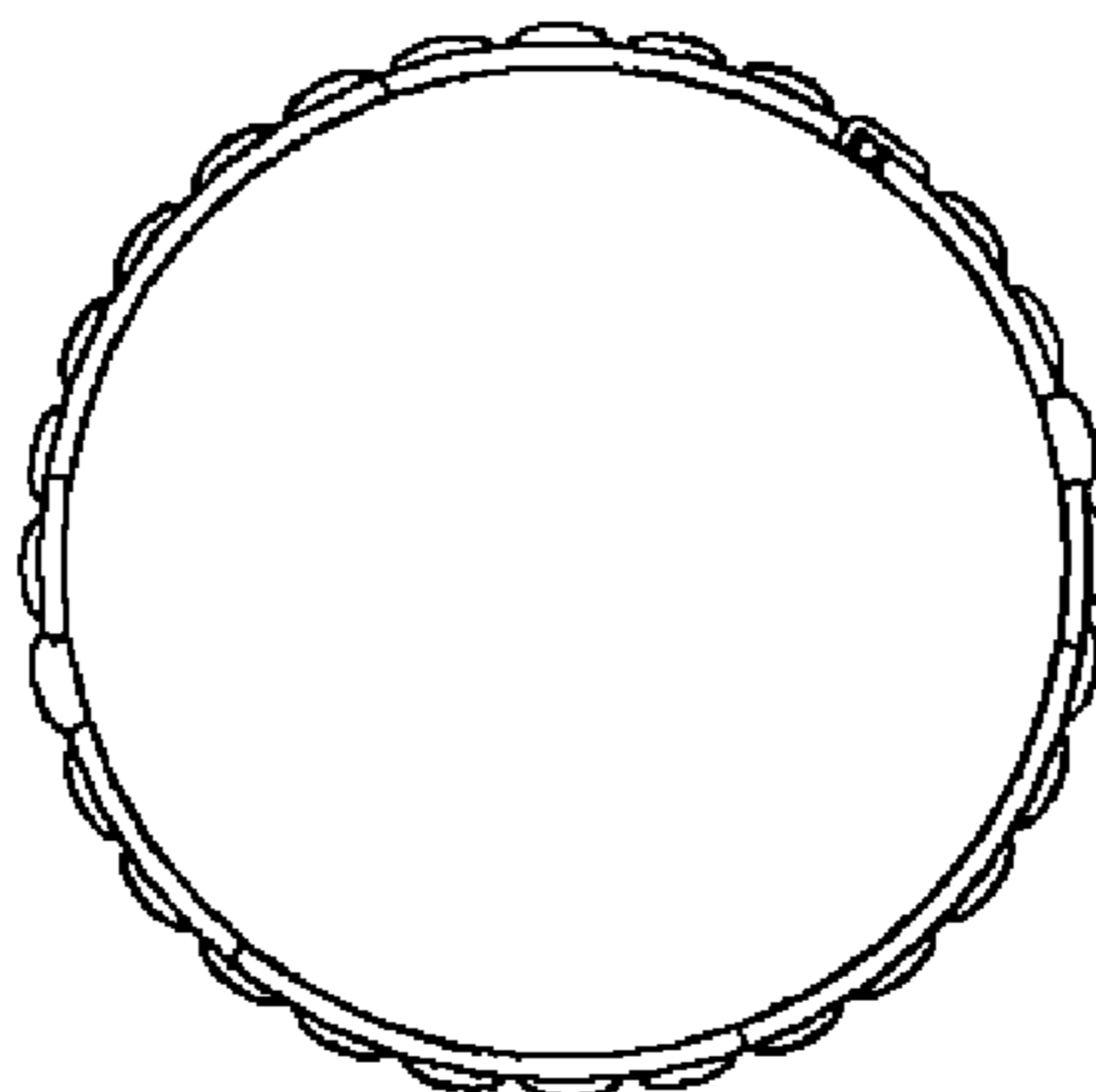


FIG. 7

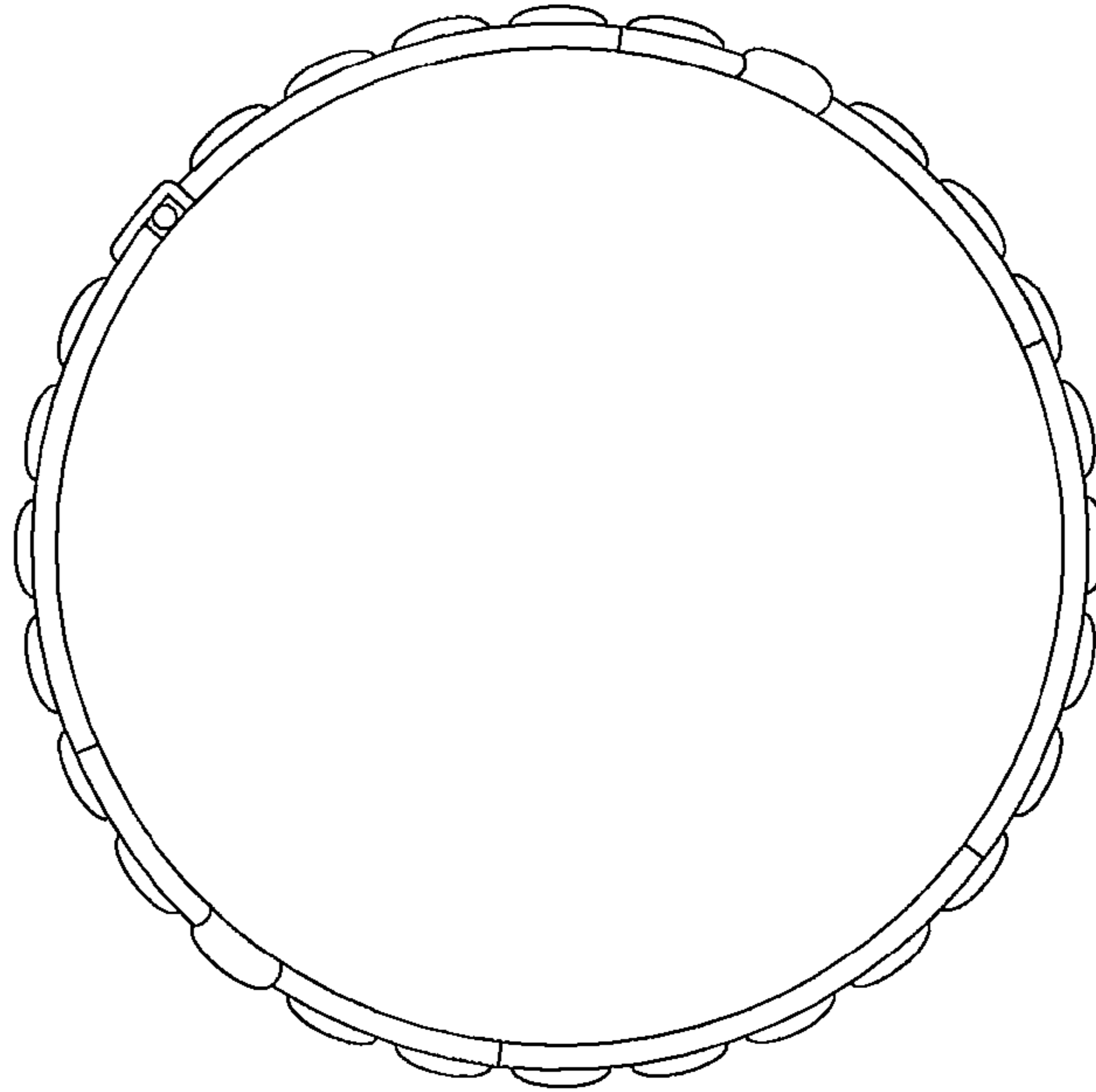


FIG. 8

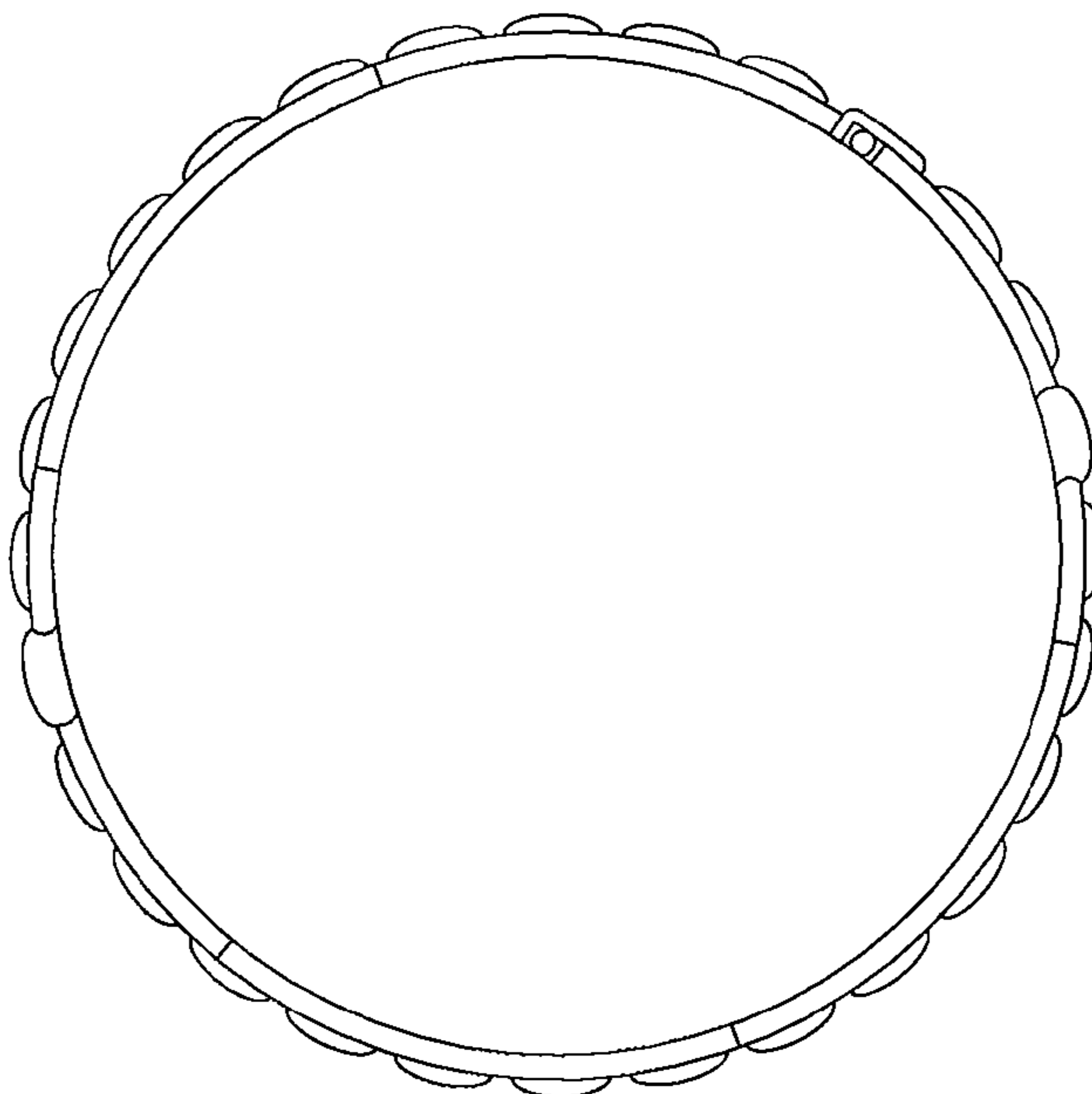


FIG. 9

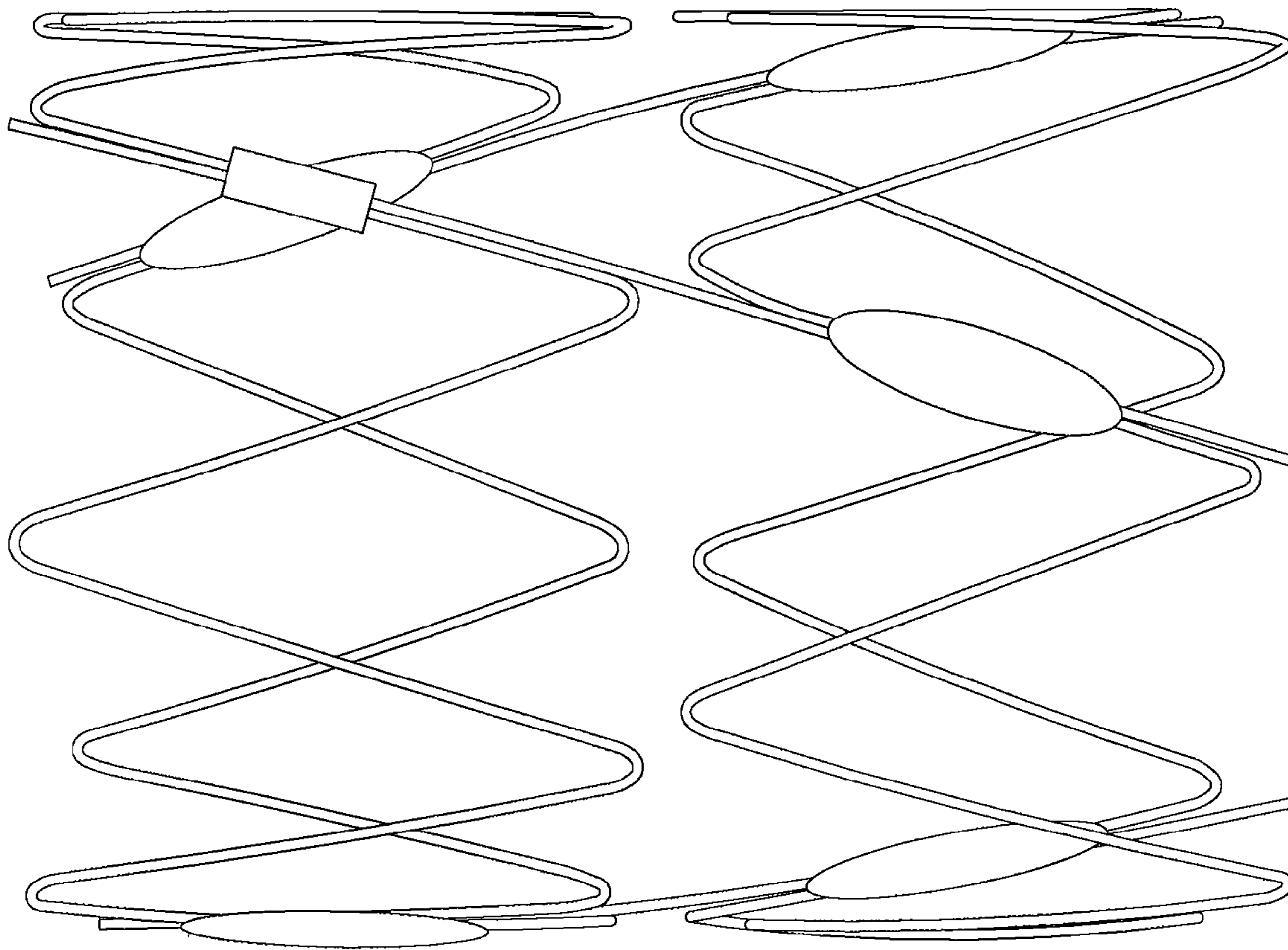


FIG. 10

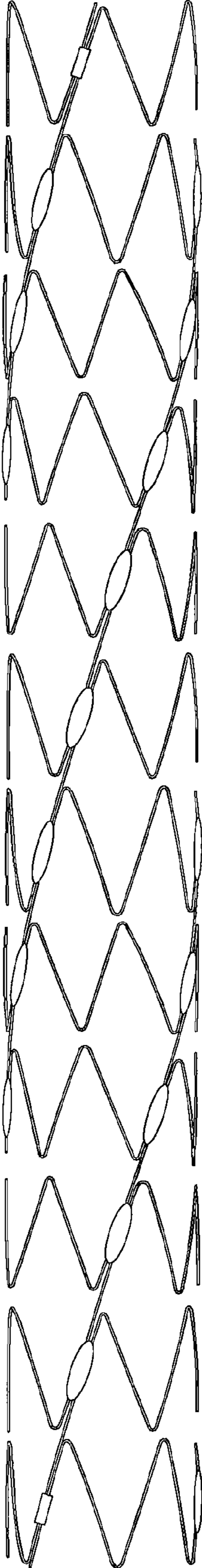


FIG. 11

