



US00D622382S

(12) **United States Design Patent**
Richter et al.

(10) **Patent No.:** **US D622,382 S**

(45) **Date of Patent:** **** Aug. 24, 2010**

(54) **DILATATOR**

(75) Inventors: **Joerg Richter**, Ludwigsburg (DE);
Sascha Berberich, Tuttlingen (DE);
Rainer Ulmschneider, Tuttlingen (DE)

(73) Assignee: **Karl Storz GmbH & Co. KG** (DE)

(**) Term: **14 Years**

(21) Appl. No.: **29/344,828**

(22) Filed: **Oct. 5, 2009**

(30) **Foreign Application Priority Data**

Apr. 3, 2009 (EM) 001117782-0017

(51) **LOC (9) Cl.** **24-02**

(52) **U.S. Cl.** **D24/135**

(58) **Field of Classification Search** D24/133,
D24/134, 135, 136, 137, 138, 139, 140, 141,
D24/142, 143, 146, 150, 152, 144, 145, 147,
D24/148, 149, 151, 153, 154, 127, 128, 129,
D24/130, 107-108, 112, 111, 200; D23/233,
D23/235; D8/40, 47, 57, 60, 67, 68, 69,
D8/80, 82, 83, 84, 93, 94, 97, 107; 600/184,
600/220-223, 224, 225-227, 201-203, 210-218;
606/7, 86 A, 86 B, 119, 129, 186; 81/9.22;
604/48

See application file for complete search history.

(56) **References Cited**

U.S. PATENT DOCUMENTS

D50,377 S * 2/1917 Ehrlich D24/138
D271,421 S * 11/1983 Fetterman D24/129
D302,787 S * 8/1989 Wilson et al. D8/107
5,029,573 A * 7/1991 Chow 600/104
5,282,802 A * 2/1994 Mahony, III 606/309
5,325,965 A * 7/1994 Kelley 206/366
5,916,229 A * 6/1999 Evans 606/171

D439,979 S * 4/2001 Strobel et al. D24/147
6,267,767 B1 * 7/2001 Strobel et al. 606/104
7,141,048 B1 * 11/2006 Charles 606/4
7,300,447 B2 * 11/2007 Eliachar et al. 606/170
D579,562 S * 10/2008 Anderson et al. D24/133
D585,547 S * 1/2009 Bisleri D24/135
D614,302 S * 4/2010 Eisele D24/146
2004/0147928 A1 * 7/2004 Landry et al. 606/61
2005/0261681 A9 * 11/2005 Branch et al. 606/61
2007/0123887 A1 * 5/2007 Hirt et al. 606/72
2007/0142743 A1 * 6/2007 Provencher et al. 600/562
2007/0203428 A1 * 8/2007 Vetter et al. 600/564
2009/0306777 A1 * 12/2009 Widmer et al. 623/13.14
2010/0004657 A1 * 1/2010 Dudasik 606/96

* cited by examiner

Primary Examiner—Bridget L Eland

(74) *Attorney, Agent, or Firm*—St. Onge Steward Johnston & Reens LLC

(57) **CLAIM**

The ornamental design for a dilatator, as shown and described.

DESCRIPTION

FIG. 1 is a left side perspective view of a dilatator in accordance with the new design;

FIG. 2 is a bottom plan view thereof;

FIG. 3 is a left side elevation view thereof;

FIG. 4 is a top plan view thereof;

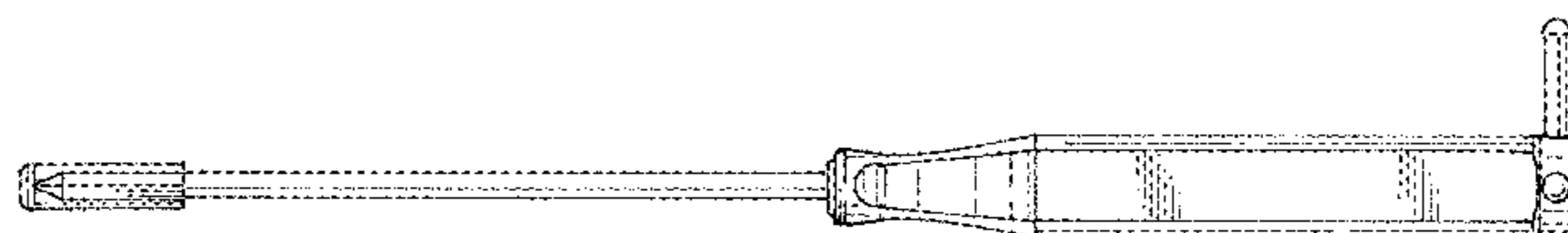
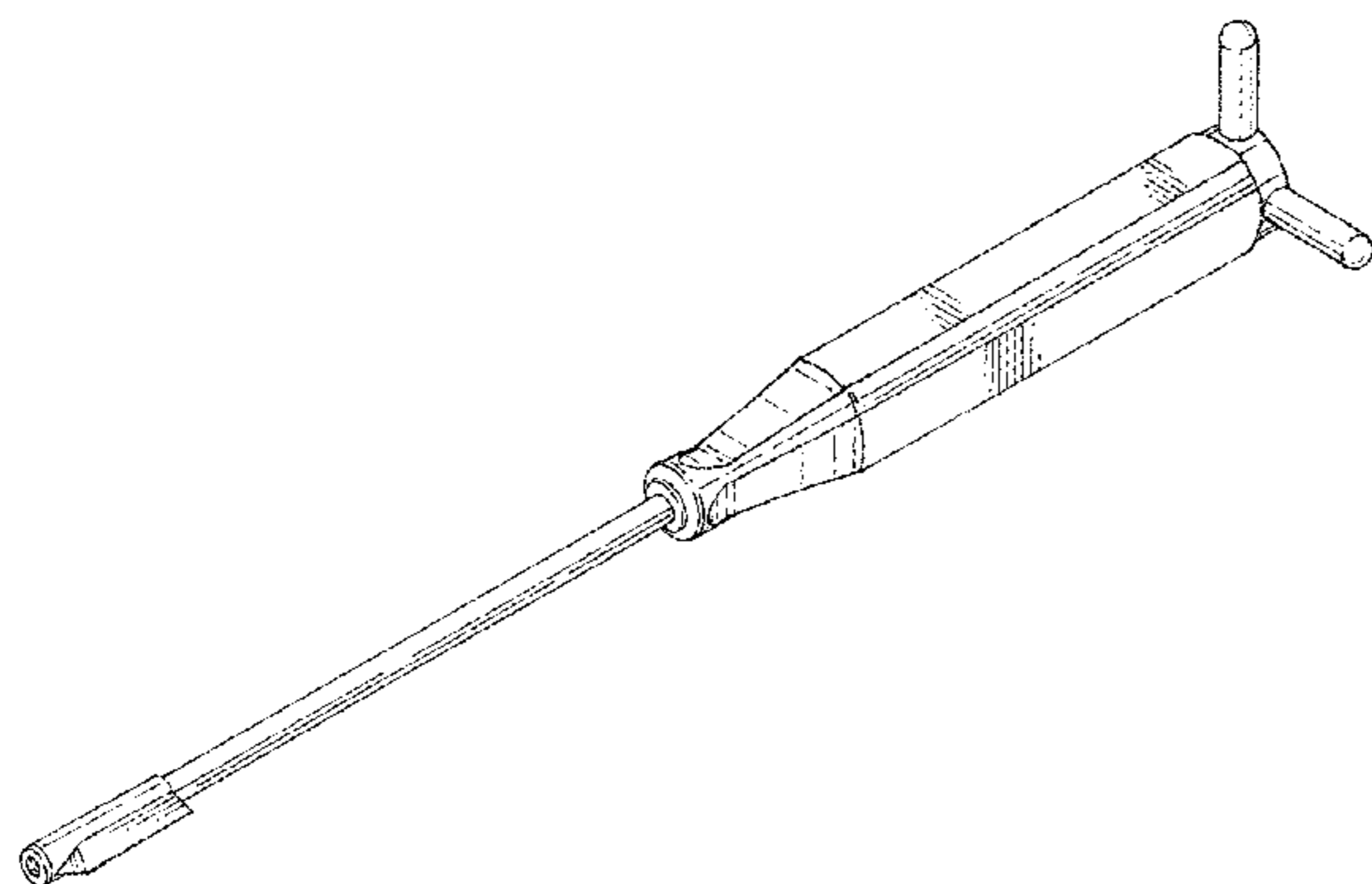
FIG. 5 is a right side elevation view thereof;

FIG. 6 is front elevation view thereof; and,

FIG. 7 is a rear elevation view thereof.

The broken lines immediately adjacent the shaded area, in FIG. 7, represent the bounds of the claimed design; the broken lines form no part of the claimed design.

1 Claim, 4 Drawing Sheets



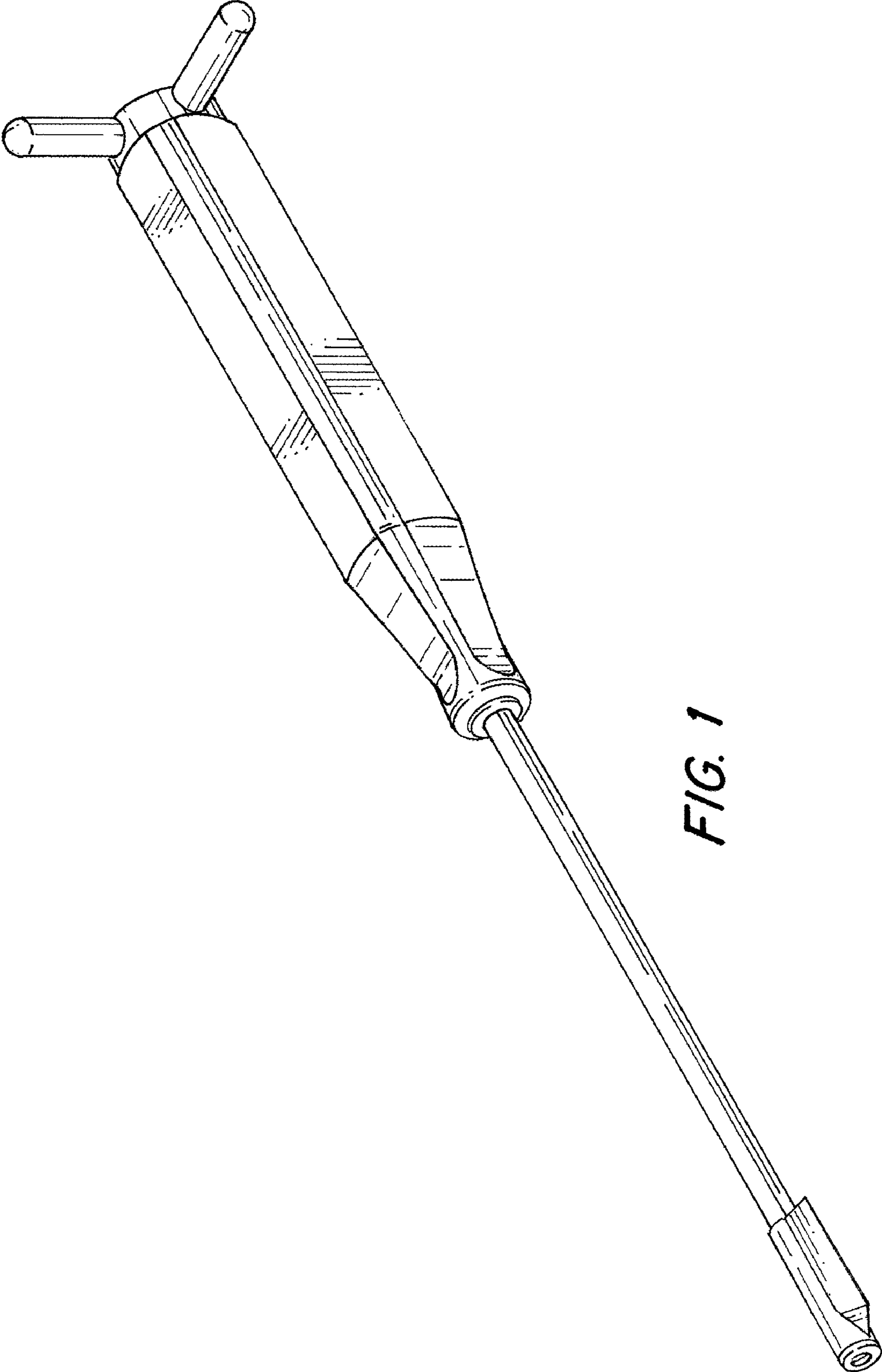


FIG. 1

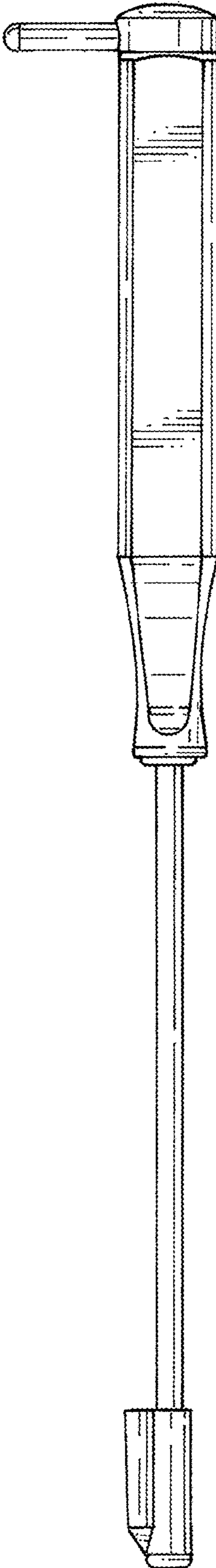


FIG. 2

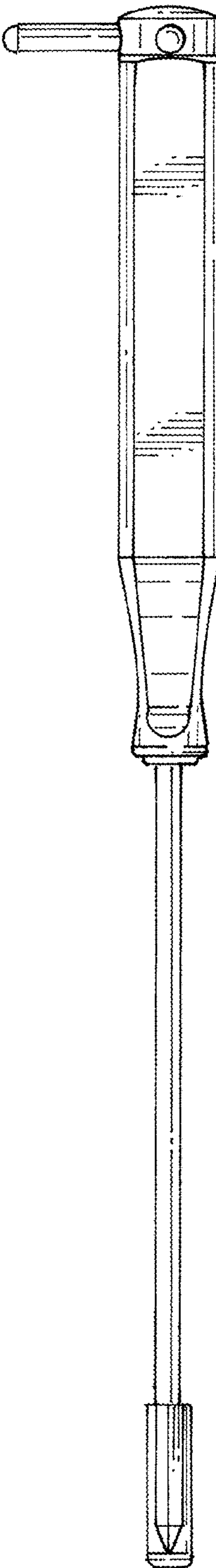


FIG. 3

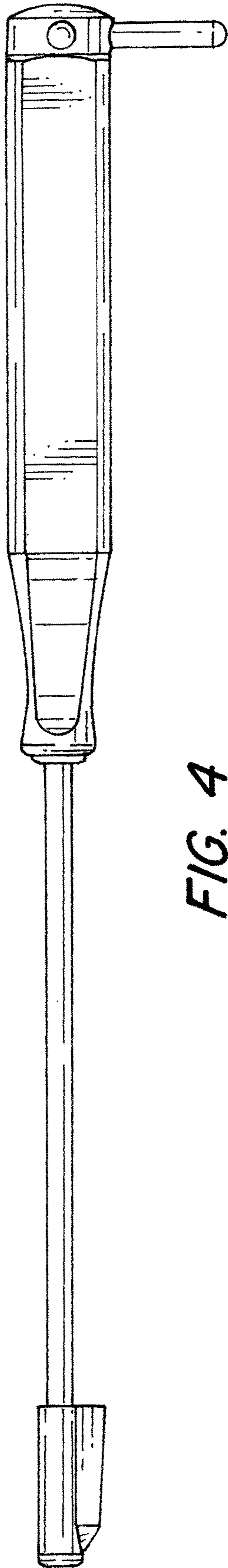


FIG. 4

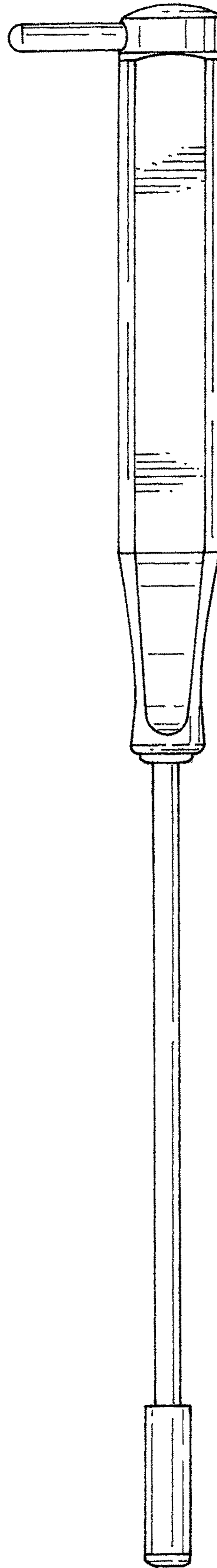


FIG. 5

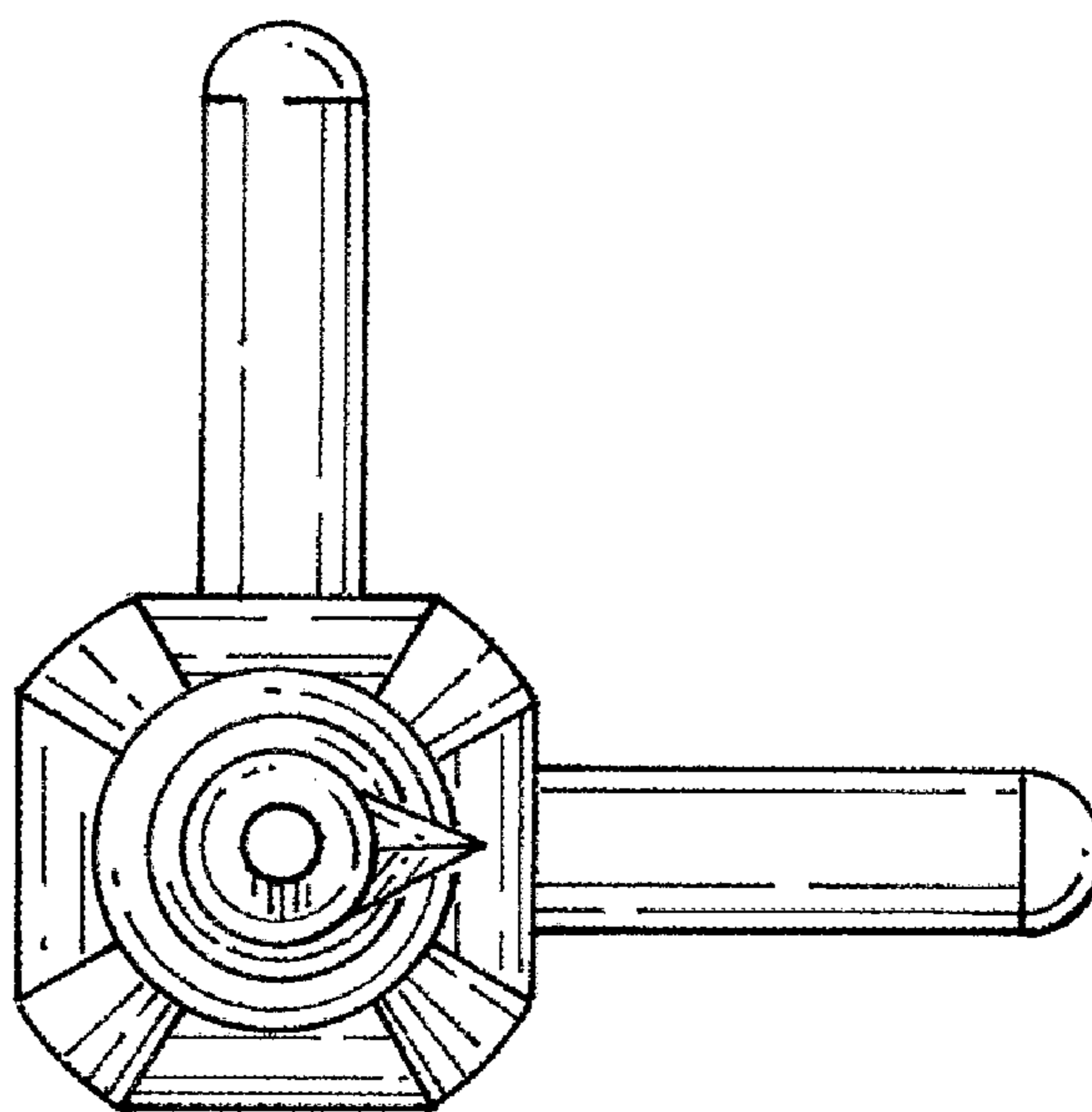


FIG. 6

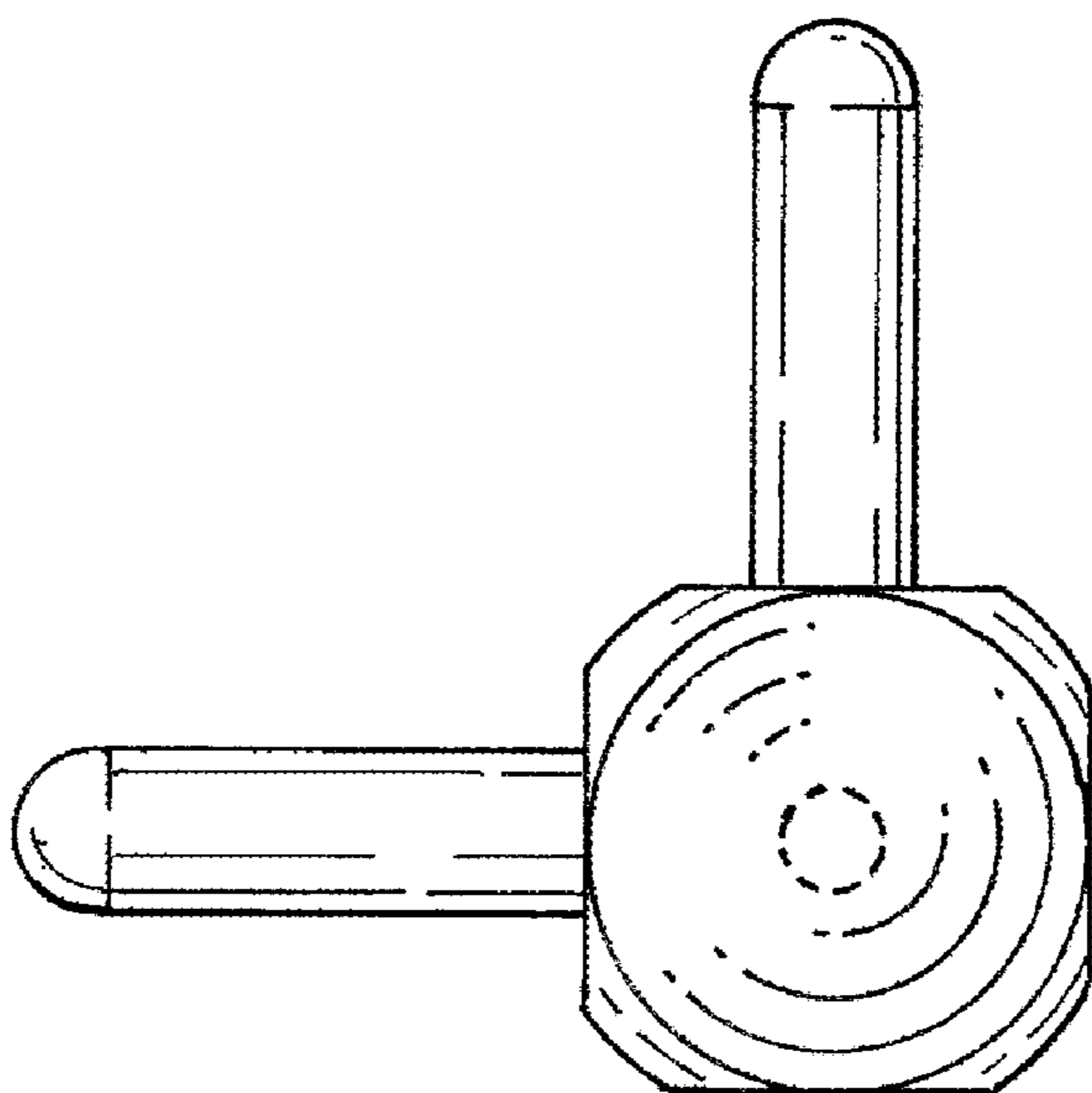


FIG. 7