

US00D622380S

(12) **United States Design Patent**
Vernooij et al.

(10) **Patent No.:** **US D622,380 S**

(45) **Date of Patent:** **** *Aug. 24, 2010**

(54) **SURGICAL INSTRUMENT**

6,206,823 B1 * 3/2001 Kolata et al. 600/129
D446,209 S * 8/2001 Hickford et al. D14/357
D453,829 S 2/2002 McMahon

(75) Inventors: **Alex Vernooij**, Sassenheim (NL);
Warren Schroder, Kenmore (AU);
David Cottier, Chester (GB)

(Continued)

(73) Assignee: **Medical Device Innovations Limited**,
Cheshire (GB)

FOREIGN PATENT DOCUMENTS

GB 0502772.7 10/2005
WO WO 2006/085090 10/2006

(**) Term: **14 Years**

OTHER PUBLICATIONS

(21) Appl. No.: **29/265,758**

Office Action for U.S. Appl. No. 29/265,762 mailed Feb. 22, 2008, 9 pp.

(22) Filed: **Sep. 8, 2006**

Notice of Allowance for U.S. Appl. No. 29/265,762 mailed Jul. 30, 2008, 5 pp.

(30) **Foreign Application Priority Data**

Mar. 10, 2006 (EM) 000495866-0001

Primary Examiner—Ian Simmons

Assistant Examiner—Carissa C Fitts

(74) *Attorney, Agent, or Firm*—Gardere Wynne Sewell LLP

(51) **LOC (9) Cl.** **24-02**

(52) **U.S. Cl.** **D24/135; D24/133**

(58) **Field of Classification Search** D24/133,
D24/146, 147, 138; 606/139, 190–192; 600/29
See application file for complete search history.

(57) **CLAIM**

The ornamental design for a surgical instrument, as shown and described.

(56) **References Cited**

DESCRIPTION

U.S. PATENT DOCUMENTS

866,180 A 9/1907 Ball
1,813,902 A * 7/1931 Bovie 606/42
1,908,201 A * 5/1933 Welch et al. 606/29
D97,617 S * 11/1935 Rubens D24/144
D216,234 S * 12/1969 Hotchkiss D24/138
D344,334 S * 2/1994 Dulebohn et al. D24/133
D354,283 S 1/1995 Rhen
D358,887 S * 5/1995 Feinberg D24/143
5,520,702 A * 5/1996 Sauer et al. 606/144
5,658,300 A * 8/1997 Bito et al. 606/143
D384,412 S 9/1997 Mainiero
5,722,934 A 3/1998 Knight
D405,176 S 2/1999 Michelson
5,902,315 A * 5/1999 DuBois 606/190
5,928,135 A * 7/1999 Knight et al. 600/104
6,030,406 A 2/2000 Davis
6,183,444 B1 * 2/2001 Glines et al. 604/187

FIG. 1 is a perspective view of a surgical instrument in accordance with our invention;

FIG. 2 is a left side view of the surgical instrument shown in FIG. 1;

FIG. 3 is a right side view of the surgical instrument shown in FIG. 1;

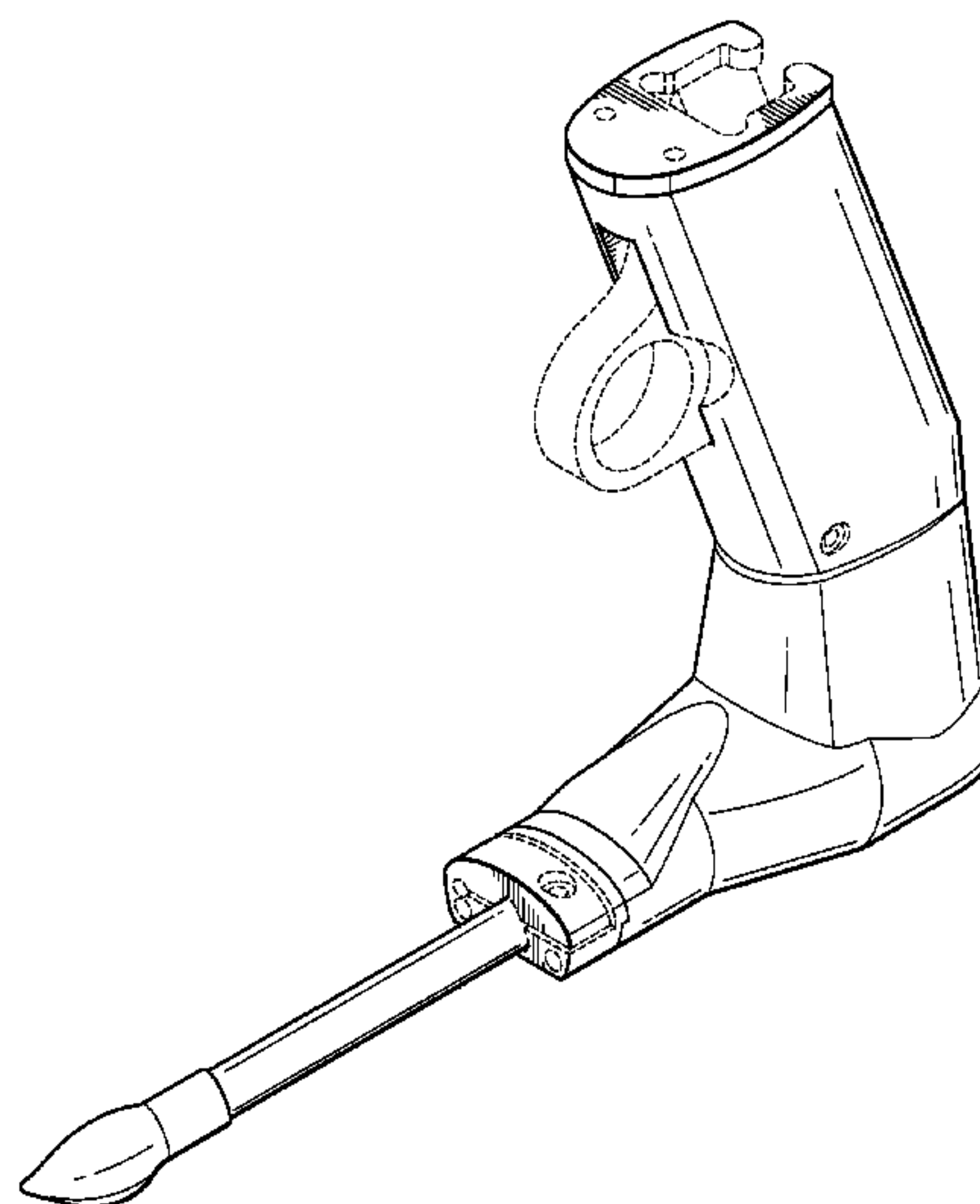
FIG. 4 is an end view of the surgical instrument shown in FIG. 1;

FIG. 5 is an opposite end view of the surgical instrument shown in FIG. 1;

FIG. 6 is a top plan view of the surgical instrument shown in FIG. 1; and,

FIG. 7 is a bottom plan view of the surgical instrument shown in FIG. 1.

1 Claim, 7 Drawing Sheets



US D622,380 S

Page 2

U.S. PATENT DOCUMENTS

6,592,604	B2	7/2003	Hess				
D495,413	S *	8/2004	Perry et al.	D24/108			
D496,997	S *	10/2004	Dycus et al.	D24/144			
6,817,978	B2 *	11/2004	Holland et al.	600/212			
D547,869	S	7/2007	Eckman				
D560,804	S *	1/2008	Pease et al.	D24/138			
7,314,479	B2 *	1/2008	Wellman et al.	606/205			
					D571,466	S *	6/2008 Amano et al. D24/133
						D582,038	S * 12/2008 Swoyer et al. D24/144
						D601,699	S * 10/2009 Urushihata D24/138
					2003/0065349	A1 *	4/2003 Hess et al. 606/159
					2004/0138700	A1	7/2004 Cooper
					2006/0235418	A1	10/2006 Gil
					2008/0255600	A1 *	10/2008 Braam et al. 606/190

* cited by examiner

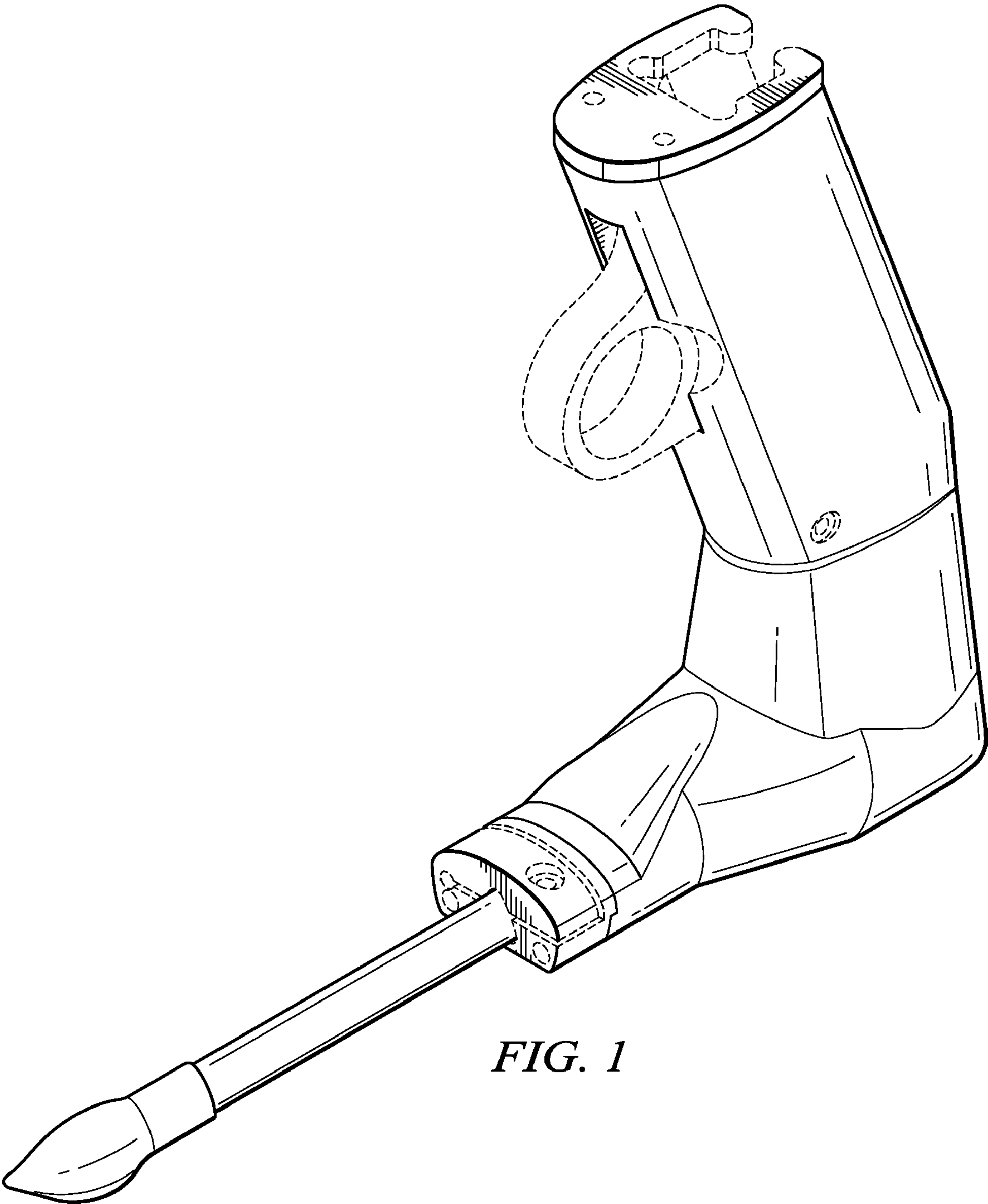


FIG. 1

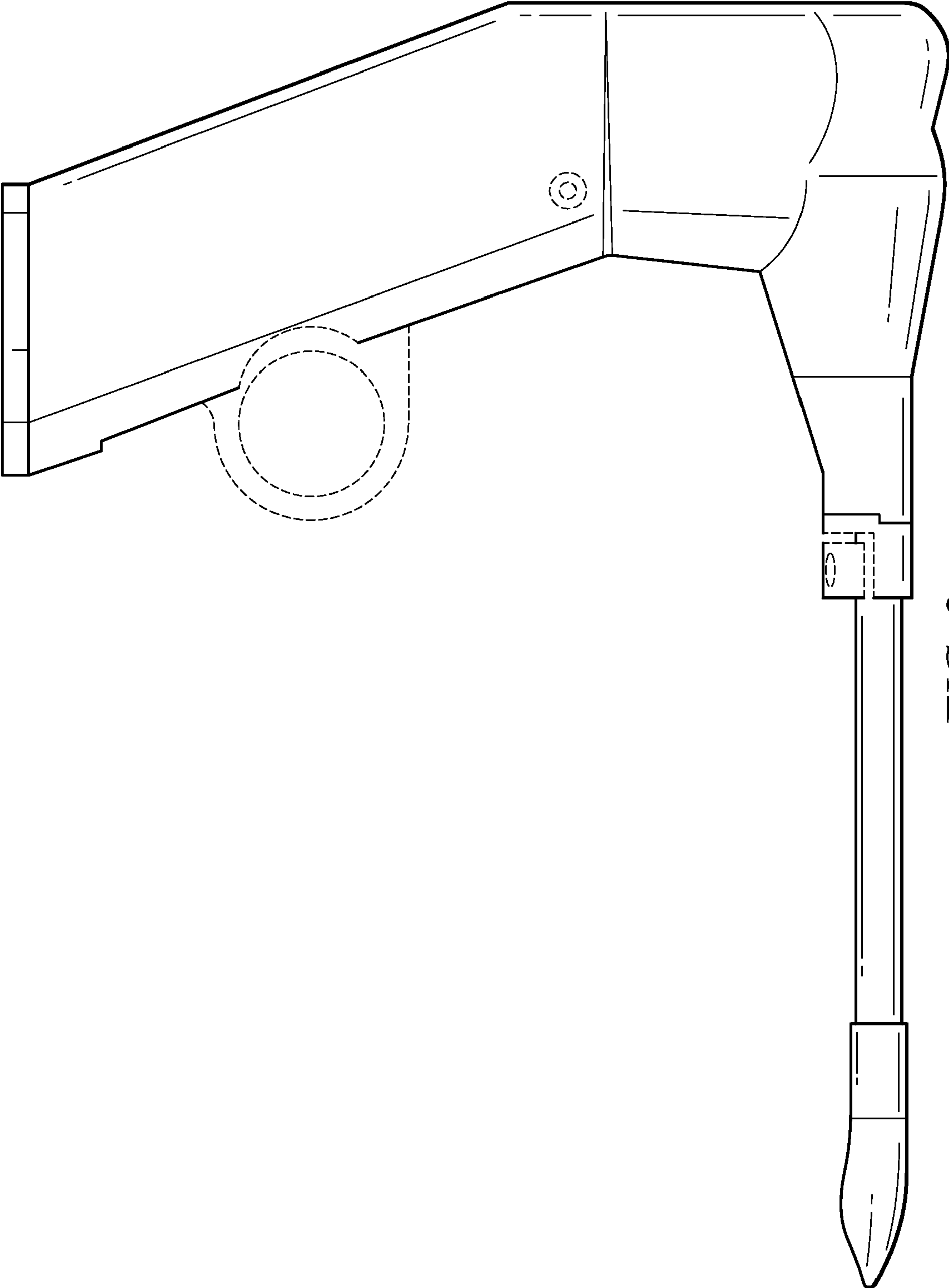


FIG. 2

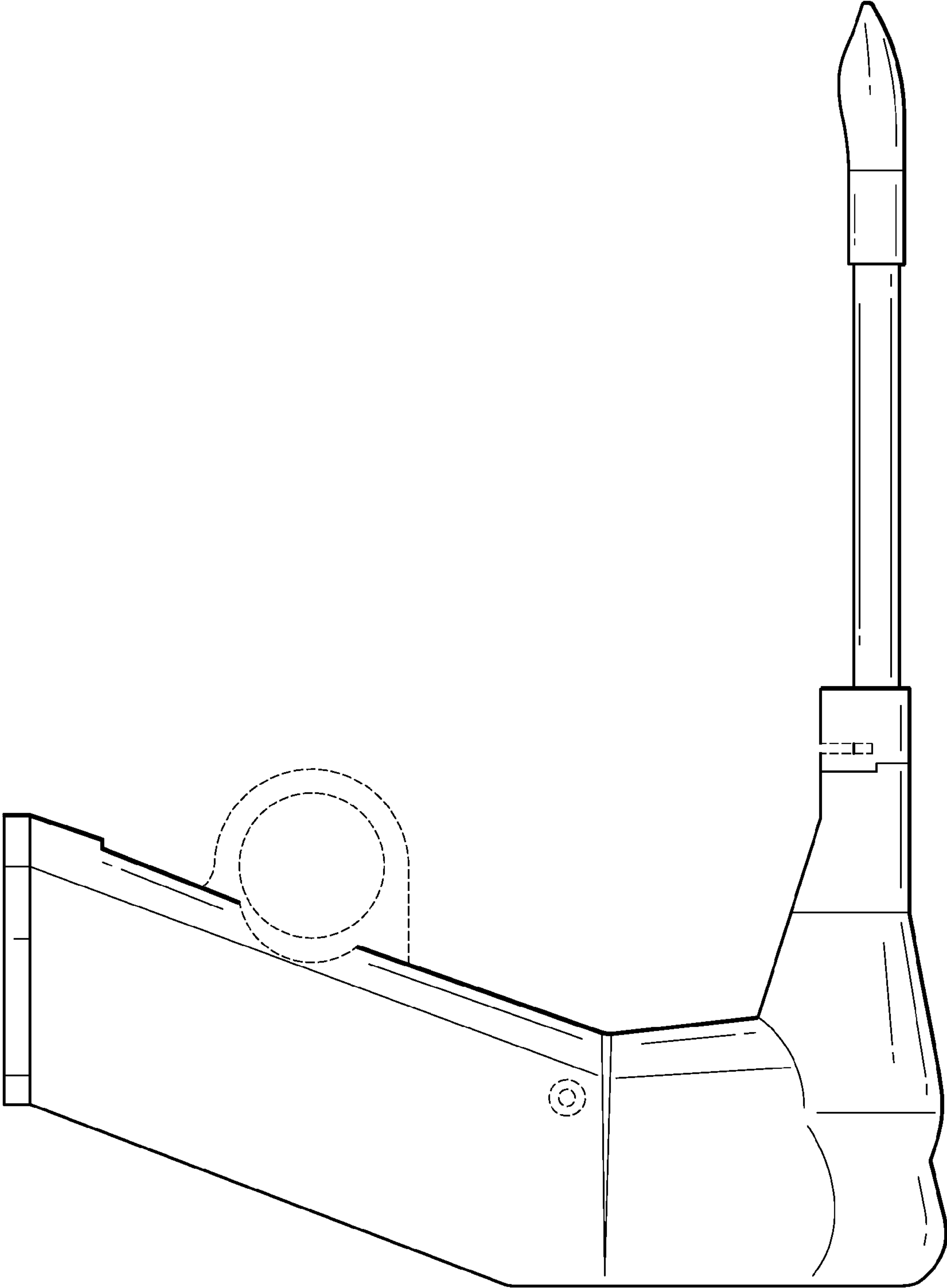


FIG. 3

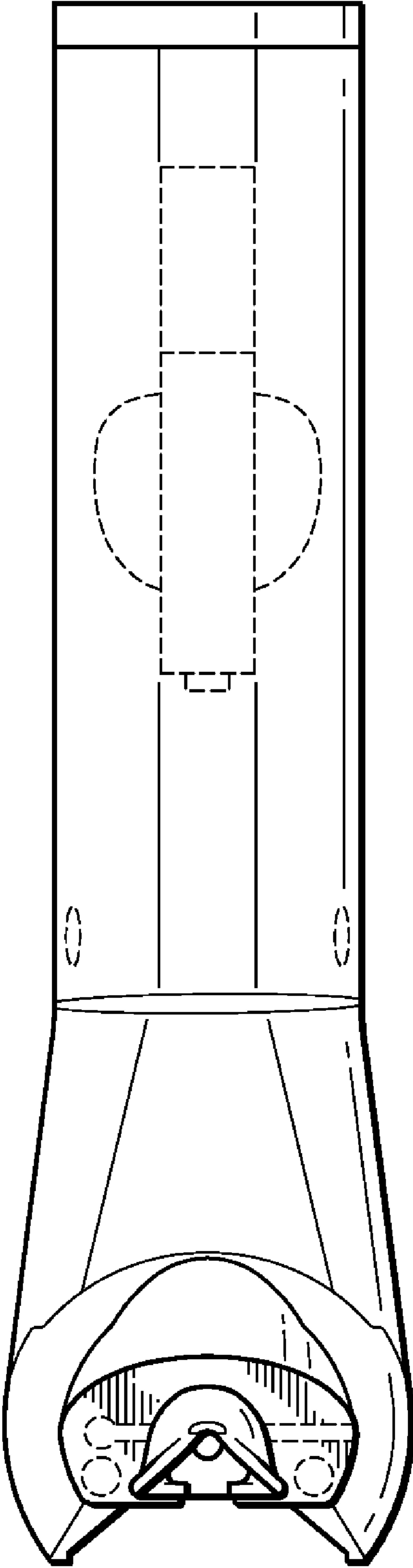


FIG. 4

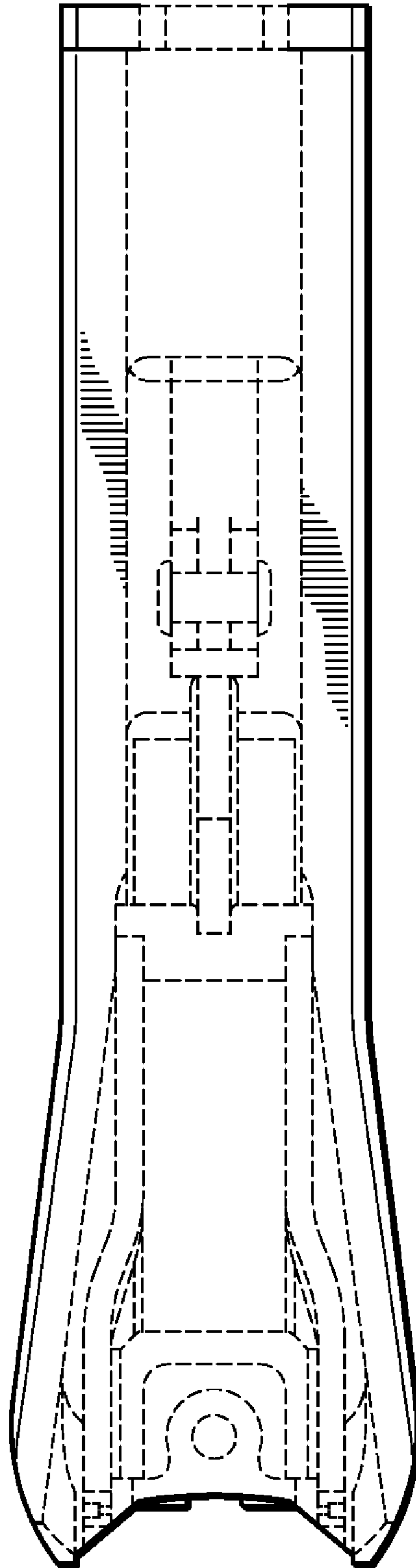


FIG. 5

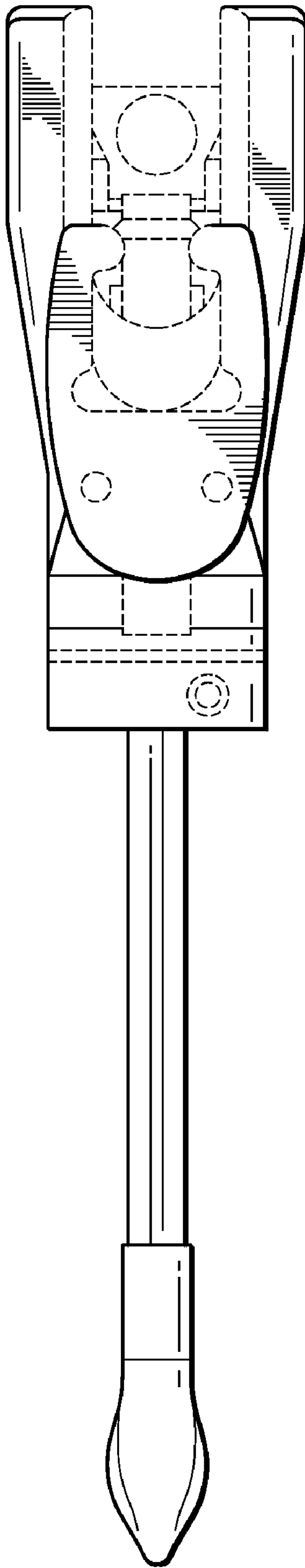


FIG. 6

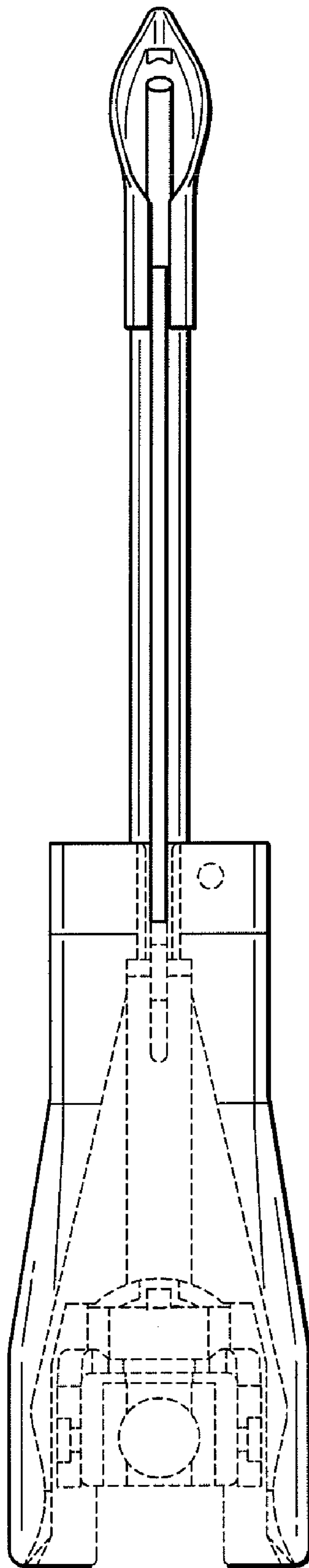


FIG. 7