



US00D622378S

(12) **United States Design Patent**
Katoh

(10) **Patent No.:** **US D622,378 S**

(45) **Date of Patent:** **** Aug. 24, 2010**

(54) **MEDICAL STOPCOCK**

(75) Inventor: **Osamu Katoh**, Aichi (JP)

(73) Assignee: **Nipro Corporation**, Nagoya (JP)

(**) Term: **14 Years**

(21) Appl. No.: **29/334,821**

(22) Filed: **Apr. 2, 2009**

(30) **Foreign Application Priority Data**

Mar. 6, 2009 (JP) D 2009-005025

(51) **LOC (9) Cl.** **24-02**

(52) **U.S. Cl.** **D24/129**

(58) **Field of Classification Search** D24/107,
D24/108, 111, 112, 113, 127, 129, 130; 137/625.11,
137/625.41; 222/309; 604/9, 27, 80, 83,
604/93.01, 95.02, 246, 247, 248, 264, 502,
604/523

See application file for complete search history.

(56) **References Cited**

U.S. PATENT DOCUMENTS

3,678,959	A *	7/1972	Liposky	137/625.11
3,900,137	A *	8/1975	Bricout et al.	222/309
4,100,940	A *	7/1978	Spears	137/877
D263,871	S *	4/1982	Matsuura	D24/129
D264,131	S *	4/1982	Matsuura	D24/129
4,447,236	A *	5/1984	Quinn	604/164.09
D275,991	S *	10/1984	Robinson	D24/111
4,793,359	A *	12/1988	Sharrow	600/435
4,823,833	A *	4/1989	Hogan et al.	137/565.33
4,878,894	A *	11/1989	Sutter et al.	604/24
5,190,525	A *	3/1993	Oswald et al.	604/83
5,217,432	A *	6/1993	Rudzena et al.	604/80
D344,585	S *	2/1994	Morse	D24/129
5,527,299	A *	6/1996	Cude	604/533
D373,191	S *	8/1996	Ribando et al.	D24/129
5,569,208	A *	10/1996	Woelpper et al.	604/183

5,817,068	A *	10/1998	Urrutia	604/248
6,099,511	A *	8/2000	Devos et al.	604/246
6,336,003	B1 *	1/2002	Mitsunaga et al.	392/470
6,585,683	B2 *	7/2003	Sutton et al.	604/30
7,172,572	B2 *	2/2007	Diamond et al.	604/32
7,250,037	B2 *	7/2007	Shermer et al.	604/134
D585,985	S *	2/2009	Aaberg et al.	D24/129
7,513,890	B2 *	4/2009	Usher et al.	604/248
D601,248	S *	9/2009	Mros et al.	D24/129
2002/0156431	A1 *	10/2002	Feith et al.	604/247
2004/0167478	A1 *	8/2004	Mooney et al.	604/264

* cited by examiner

Primary Examiner—Elizabeth A Albert

Assistant Examiner—Karen E Eldridge Powers

(74) *Attorney, Agent, or Firm*—Birch, Stewart, Kolasch & Birch, LLP

(57) **CLAIM**

The ornamental design for a medical stopcock, as shown and described.

DESCRIPTION

FIG. 1 is a perspective view of a medical stopcock;

FIG. 2 is a front view thereof;

FIG. 3 is a rear view thereof;

FIG. 4 is a left side view thereof;

FIG. 5 is right side view thereof;

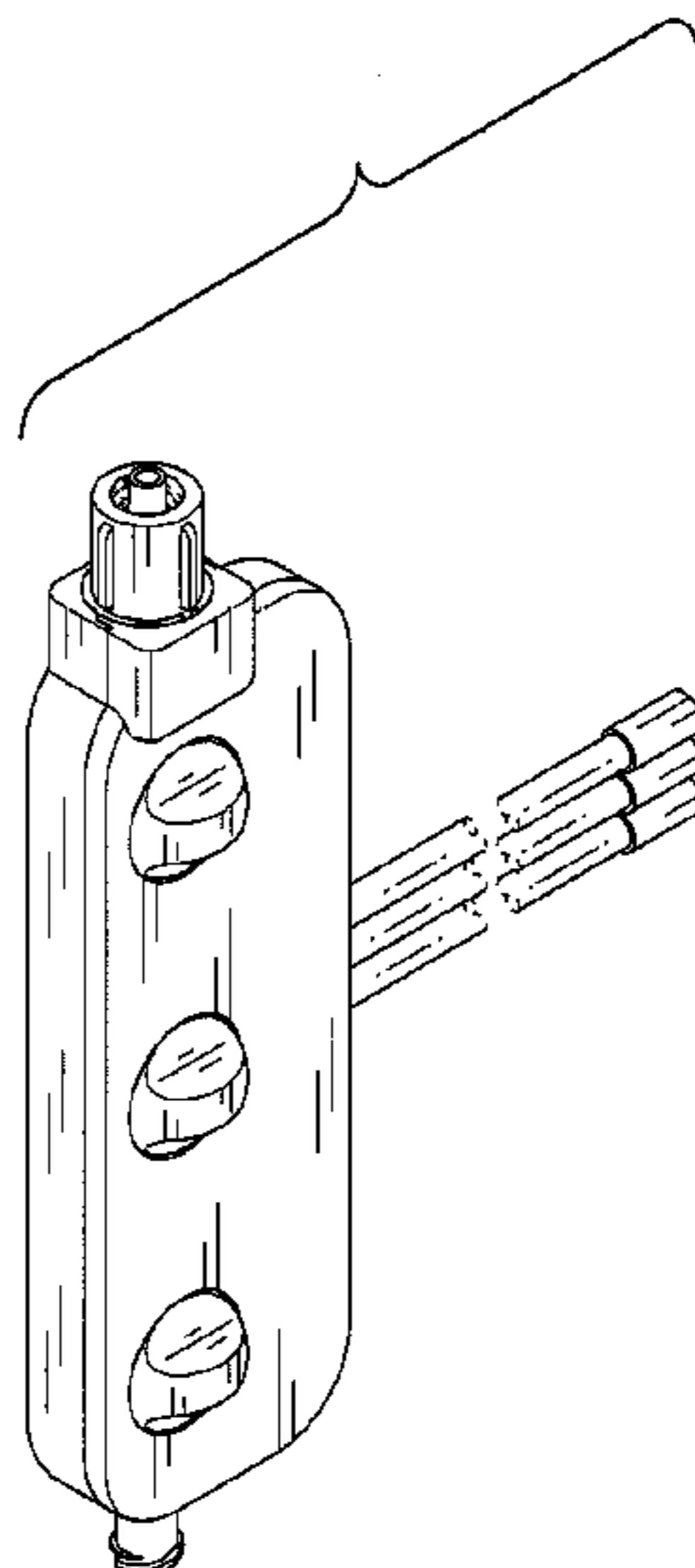
FIG. 6 is a top view thereof; and,

FIG. 7 is a bottom view thereof.

The broken lines adjacent to the gaps in the tubing shown in the drawings are meant to convey that no particular length of tubing is claimed; and

The broken lines shown inside the circular structure of FIGS. 1 and 6 illustrate environmental matter and form no part of the claimed design.

1 Claim, 4 Drawing Sheets



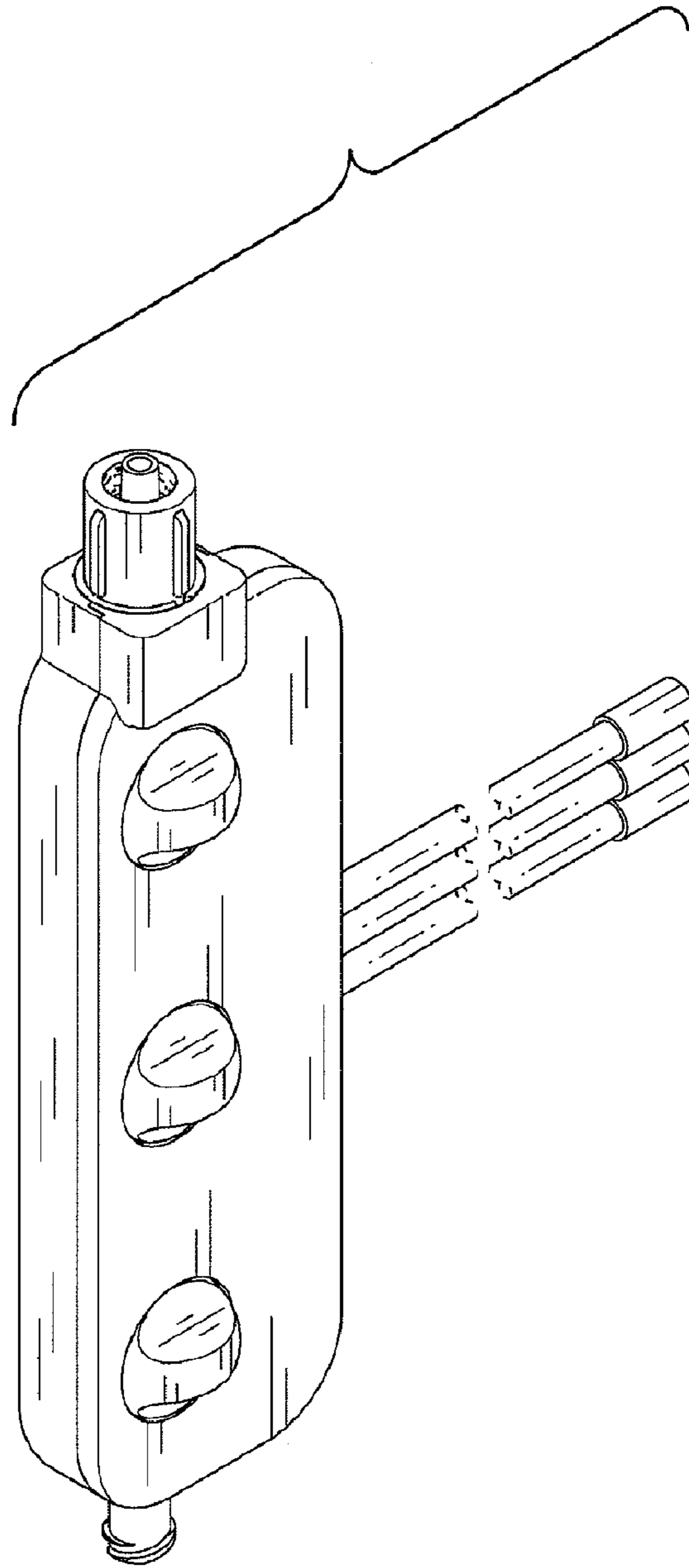


FIG.1

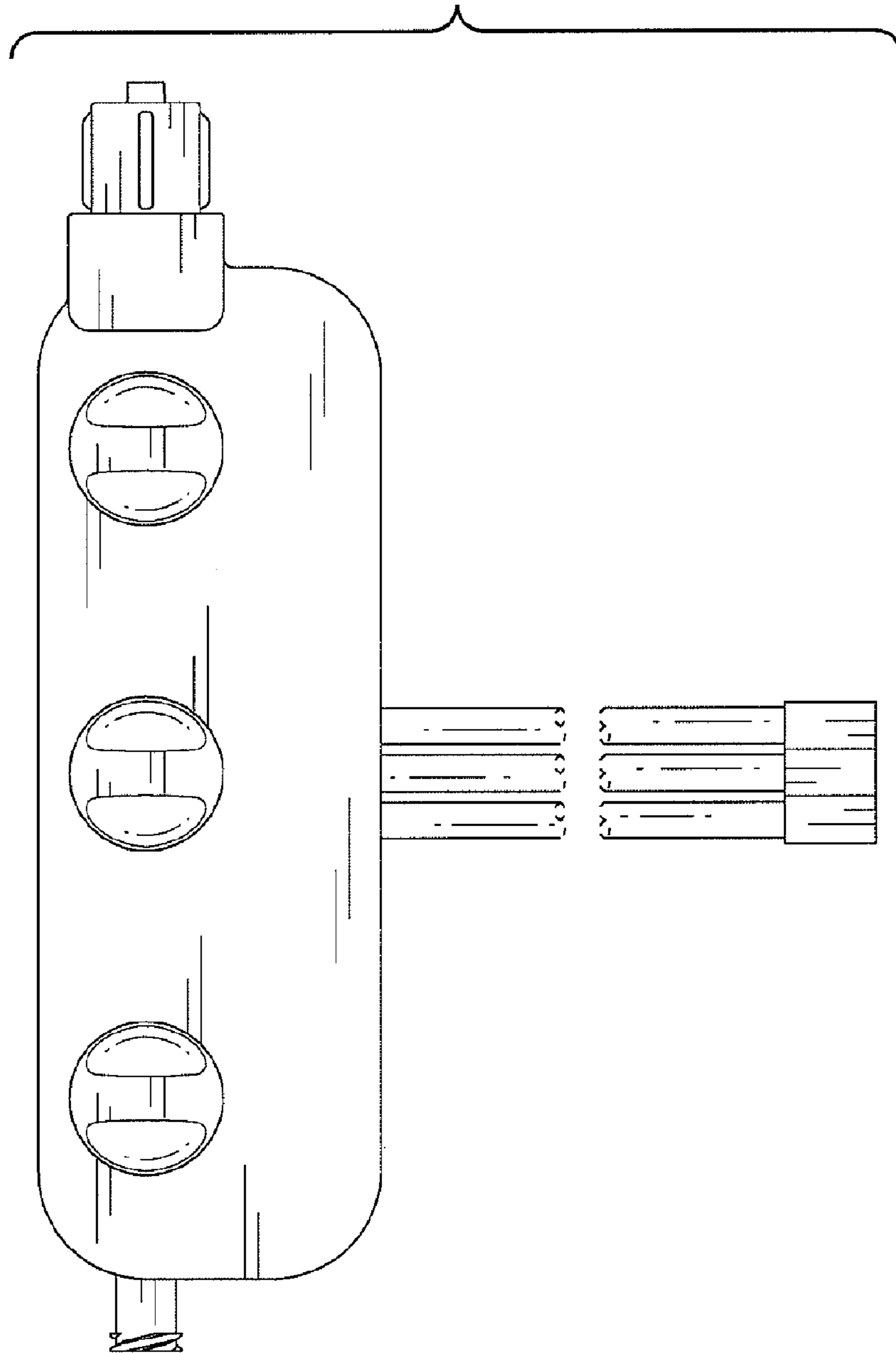


FIG.2

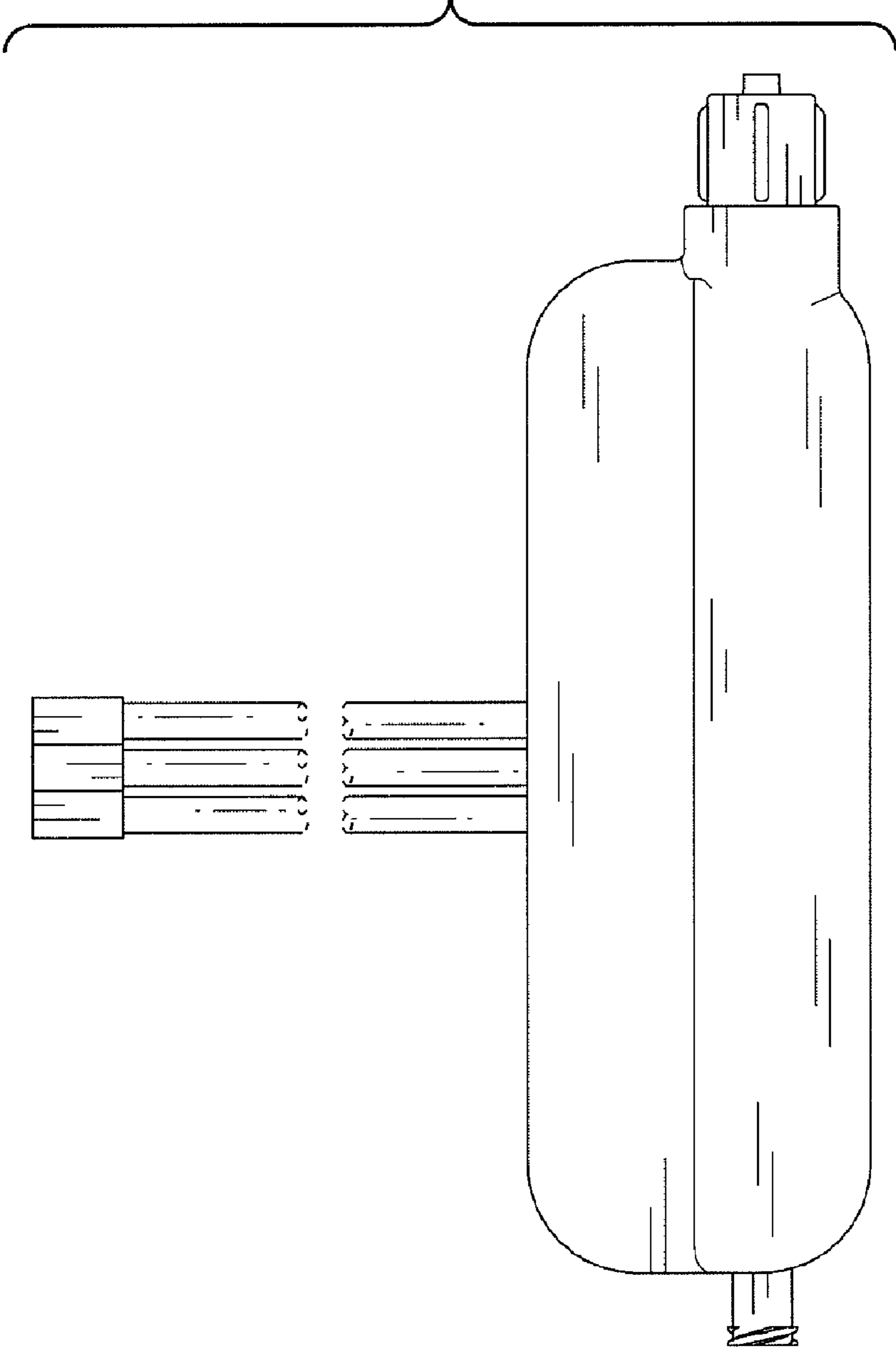


FIG.3

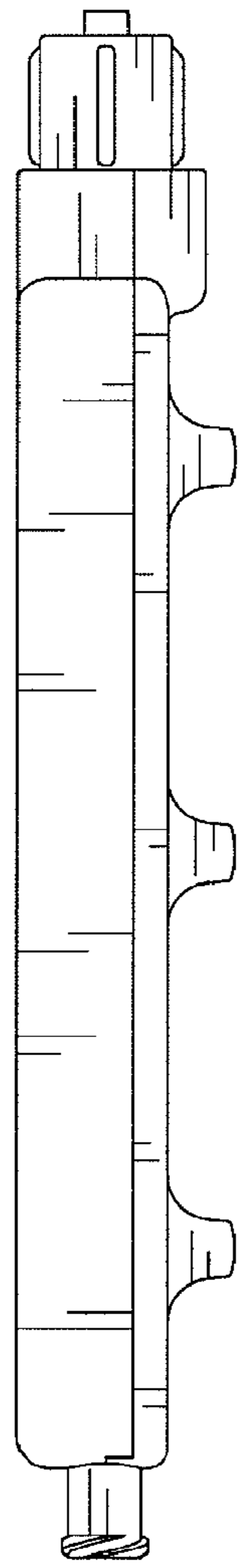


FIG. 4

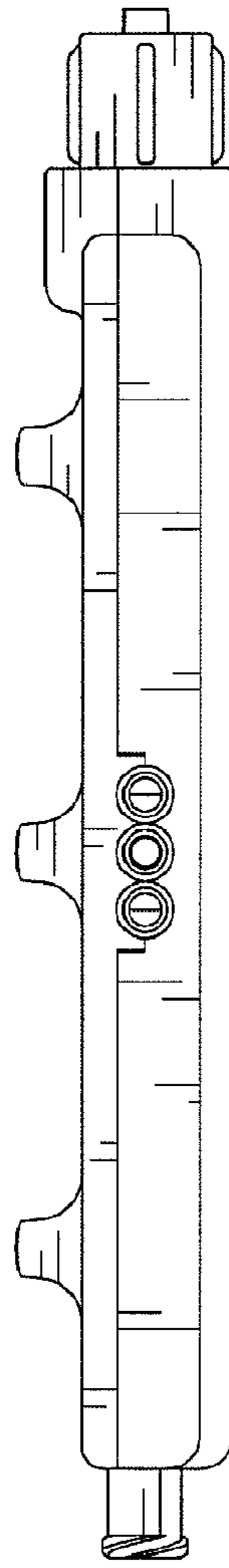


FIG. 5

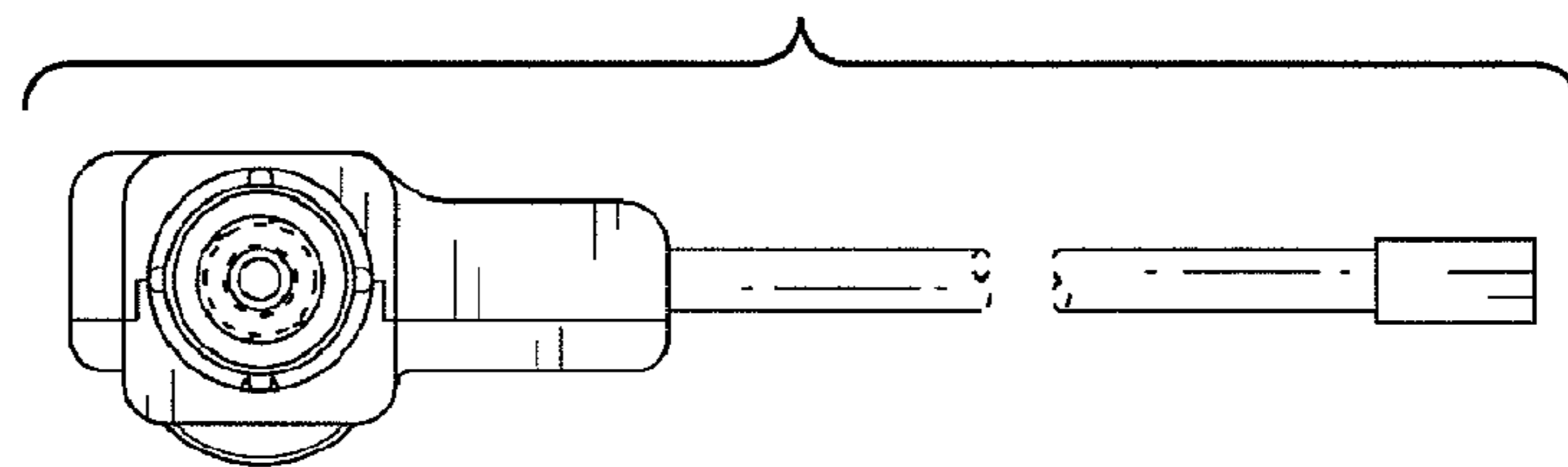


FIG. 6

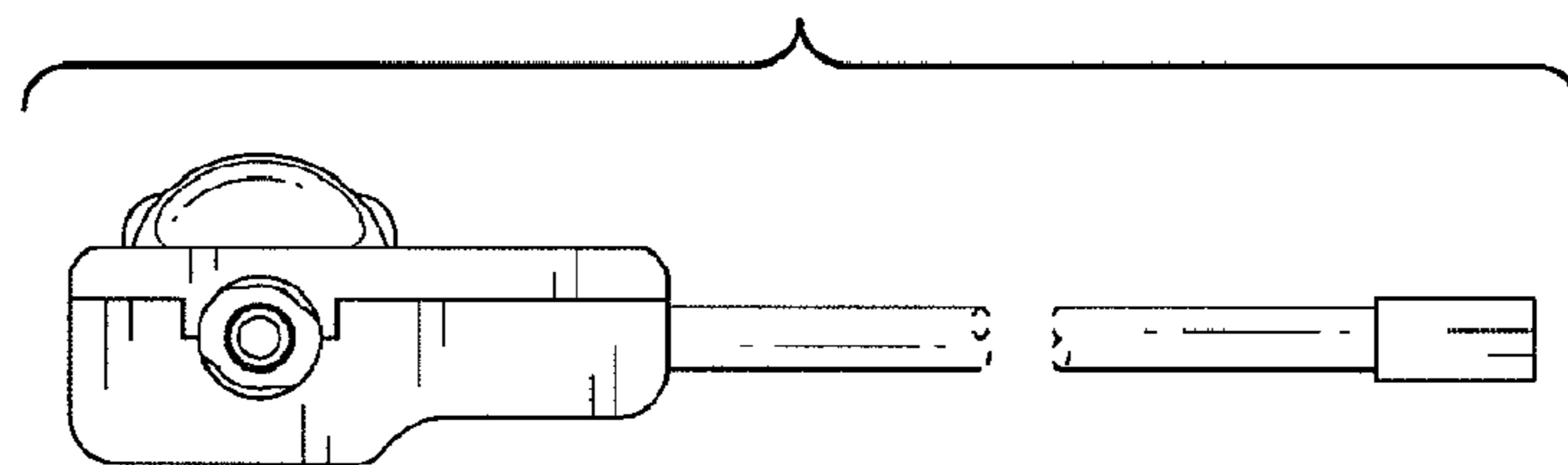


FIG. 7