



US00D622377S

(12) **United States Design Patent**  
**Jackson**

(10) **Patent No.:** **US D622,377 S**

(45) **Date of Patent:** **\*\* Aug. 24, 2010**

(54) **SUPPORT STAND FOR A FEEDING TUBE**

6,045,097 A	4/2000	Gaffar
D483,539 S	12/2003	Keogh
7,282,044 B2	10/2007	Hudson
2004/0262463 A1	12/2004	Jackson
2005/0051681 A1	3/2005	Romine

(76) **Inventor:** **Mark Jackson**, 410 W. Madison St.,  
Louisa, KY (US) 41230

(\*\*) **Term:** **14 Years**

\* cited by examiner

(21) **Appl. No.:** **29/328,997**

*Primary Examiner*—T. Chase Nelson  
*Assistant Examiner*—Eric L Goodman

(22) **Filed:** **Dec. 5, 2008**

(74) *Attorney, Agent, or Firm*—Robert R. Waters; Brian W. Foxworthy; Waters Law Group

(51) **LOC (9) Cl.** ..... **24-02**

(52) **U.S. Cl.** ..... **D24/128**

(58) **Field of Classification Search** ..... D24/127–131;  
D6/411; 248/129, 170, 121, 125.8  
See application file for complete search history.

(57) **CLAIM**

The ornamental design for a support stand for a feeding tube, as shown and described.

(56) **References Cited**

**DESCRIPTION**

**U.S. PATENT DOCUMENTS**

566,809 A *	9/1896	Strong	.....	248/97
699,481 A *	5/1902	Boyd	.....	222/108
1,290,809 A *	1/1919	Thaux	.....	211/85.14
2,522,345 A	9/1950	Cashiopp		
3,026,079 A	3/1962	Stack		
3,298,648 A	1/1967	Sepanski		
3,971,538 A	7/1976	Marvich		
4,005,844 A *	2/1977	Richmond	.....	248/311.3
4,262,872 A	4/1981	Kodet		
4,332,378 A *	6/1982	Pryor	.....	482/68
5,170,817 A	12/1992	Sunderland		
D332,311 S *	1/1993	Redding	.....	D24/128
5,386,958 A	2/1995	Amato		
D371,602 S	7/1996	LoTurco		
D372,533 S *	8/1996	Davis	.....	D24/128
5,799,846 A	9/1998	Pfleger		
5,895,373 A	4/1999	Hirsch et al.		
5,975,470 A	11/1999	Casey		

FIG. 1 is a perspective view of my new design for a support stand for a feeding tube.

FIG. 2 is a front view of my new design for a support stand for a feeding tube.

FIG. 3 is a back view of my new design for a support stand for a feeding tube.

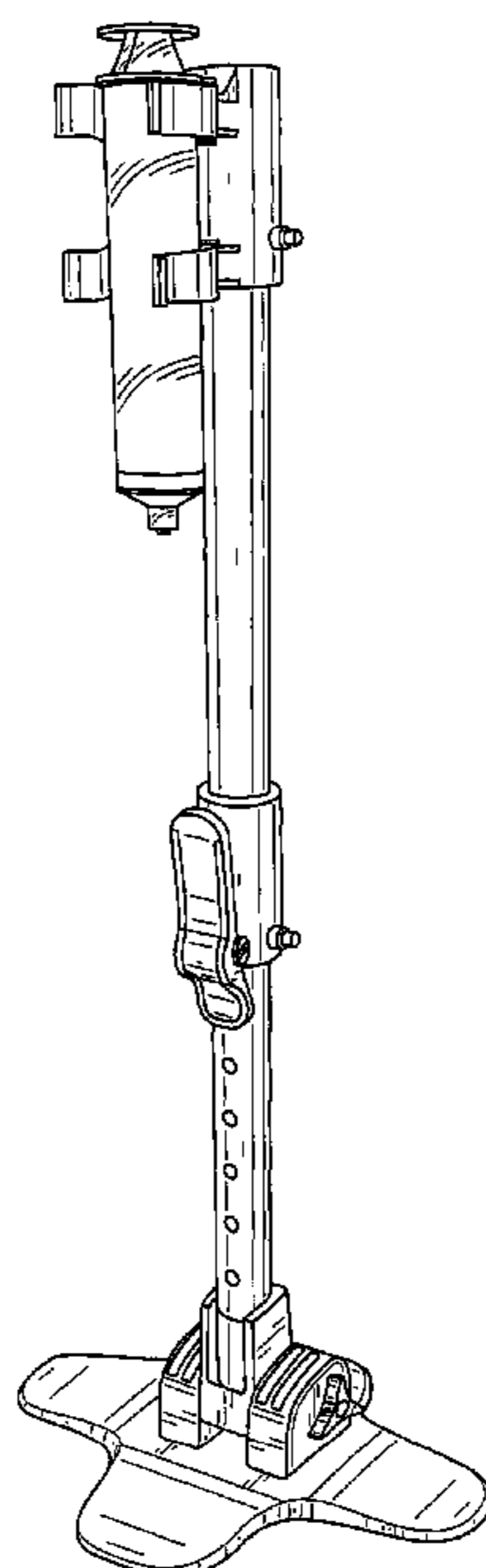
FIG. 4 is a left side view of my new design for a support stand for a feeding tube.

FIG. 5 is a right side view of my new design for a support stand for a feeding tube.

FIG. 6 is a top view of my new design for a support stand for a feeding tube; and,

FIG. 7 is a bottom view of my new design for a support stand for a feeding tube.

**1 Claim, 6 Drawing Sheets**



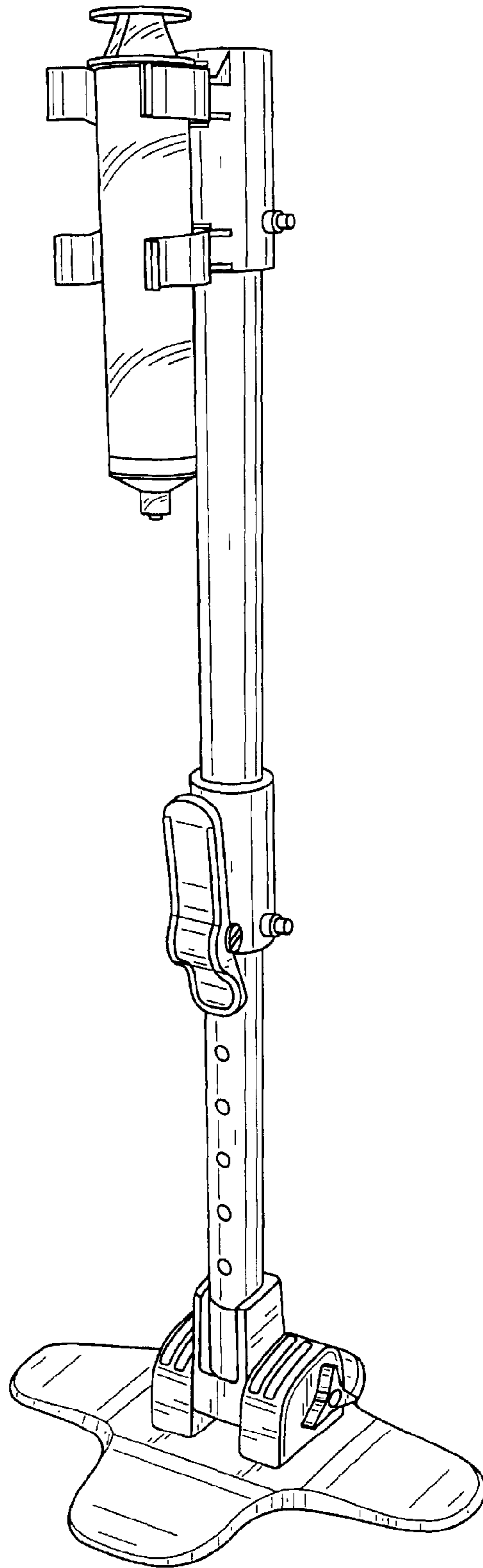


FIG. 1

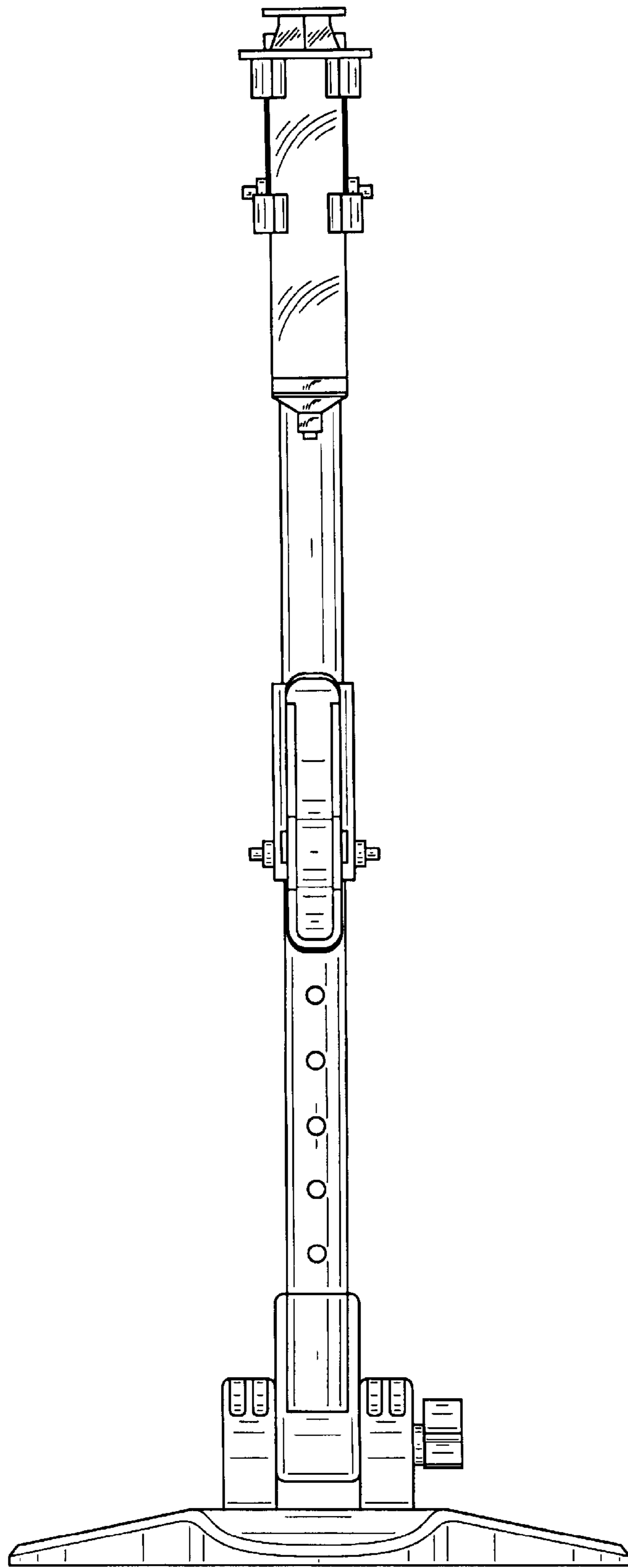


FIG. 2

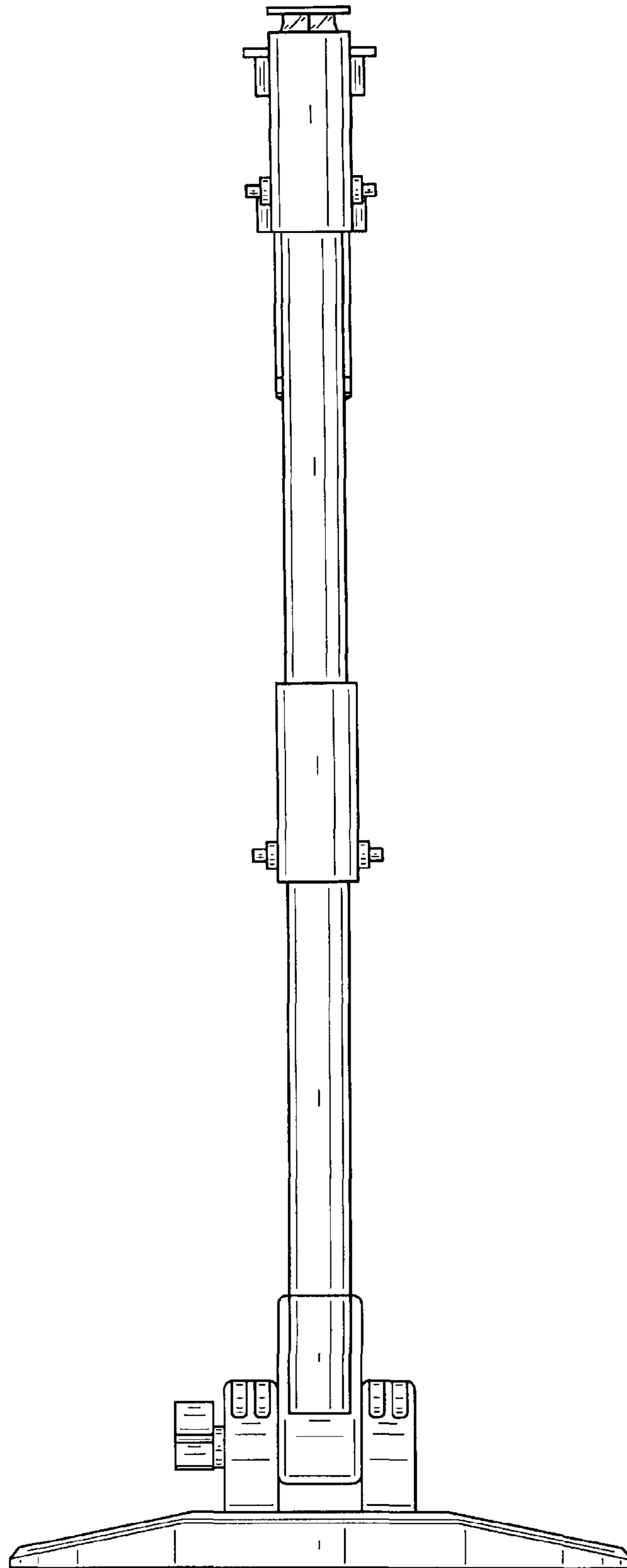


FIG. 3

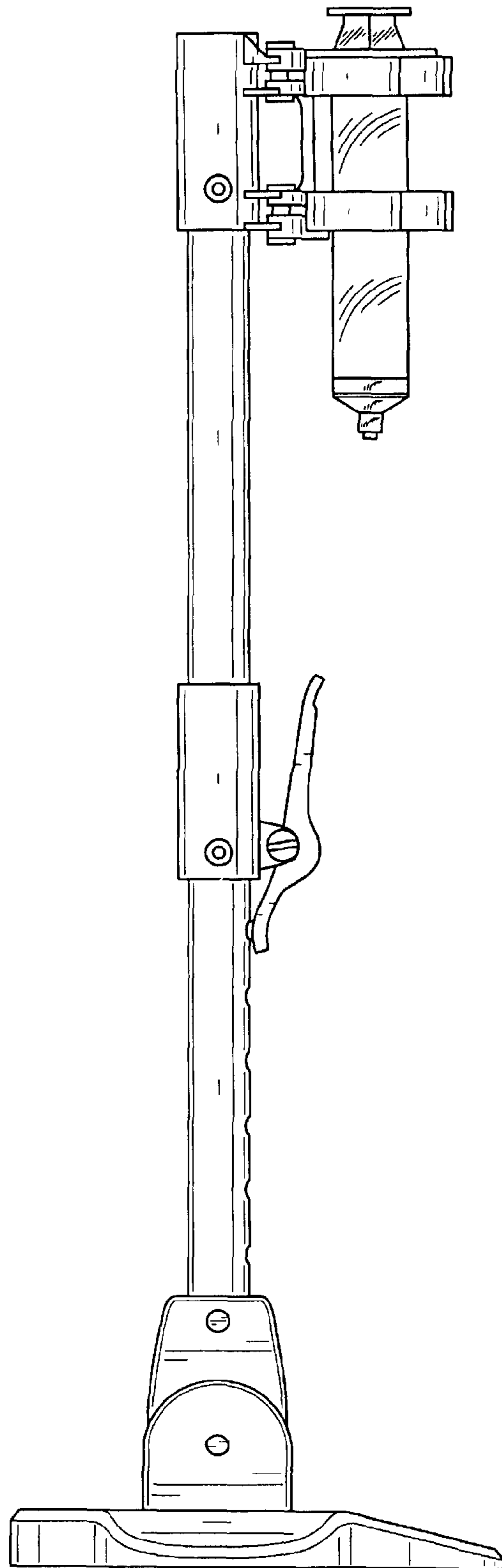


FIG. 4

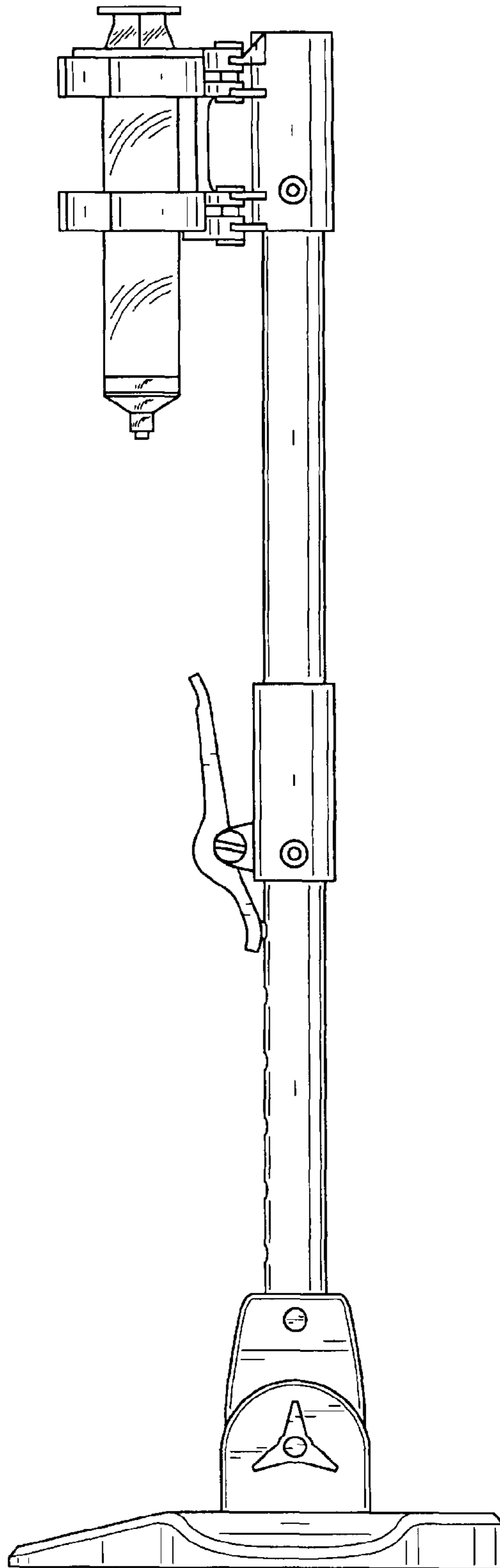


FIG. 5

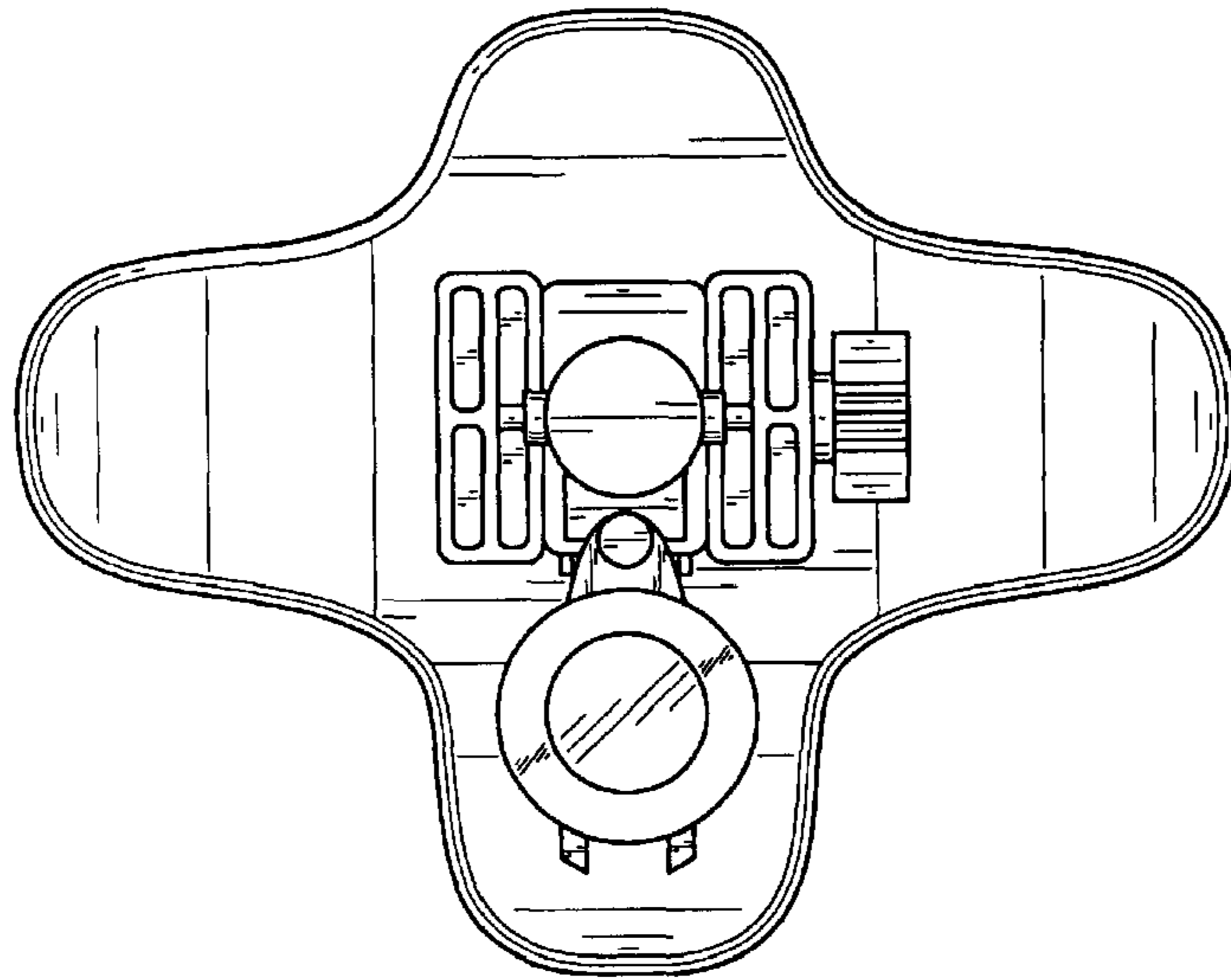


FIG. 6

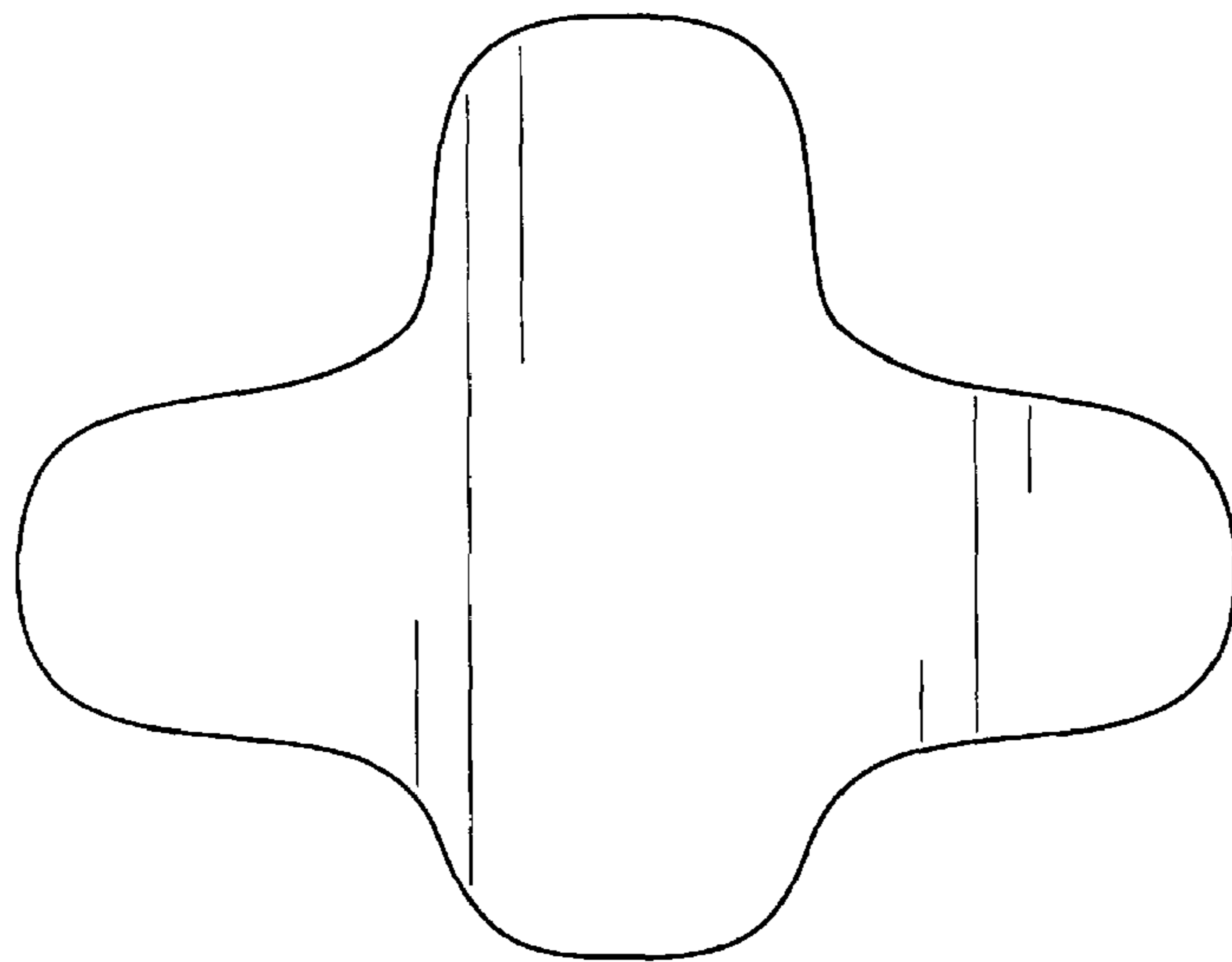


FIG. 7