



US00D622373S

(12) **United States Design Patent**  
**Grey et al.**

(10) **Patent No.:** **US D622,373 S**

(45) **Date of Patent:** **\*\* Aug. 24, 2010**

(54) **DOWNDRAFT DEVICE FOR A COOKING APPLIANCE**

(75) Inventors: **Jonathan Grey**, New Bern, NC (US);  
**Joachim Grützke**, New Bern, NC (US)

(73) Assignee: **BSH Home Appliances Corporation**,  
Huntington Beach, CA (US)

(\*\*) Term: **14 Years**

(21) Appl. No.: **29/308,809**

(22) Filed: **Jul. 8, 2008**

**Related U.S. Application Data**

(62) Division of application No. 29/272,398, filed on Feb. 6, 2007, now Pat. No. Des. 577,806.

(51) **LOC (9) Cl.** ..... **23-04**

(52) **U.S. Cl.** ..... **D23/372**

(58) **Field of Classification Search** ..... D23/372,  
D23/371, 370, 388, 385; D7/406; 126/299 D,  
126/299 R; 454/349, 354

See application file for complete search history.

(56) **References Cited**

**U.S. PATENT DOCUMENTS**

D532,507 S \* 11/2006 Vetter ..... D23/372  
D577,806 S \* 9/2008 Grey et al. .... D23/372

\* cited by examiner

*Primary Examiner*—Lisa P Lichtenstein

(74) *Attorney, Agent, or Firm*—James E. Howard; Andre Pallapies

(57) **CLAIM**

The ornamental design for a downdraft device for a cooking appliance, as shown and described.

**DESCRIPTION**

FIG. 1 is a perspective view of a downdraft device for a cooking appliance showing our ornamental design;

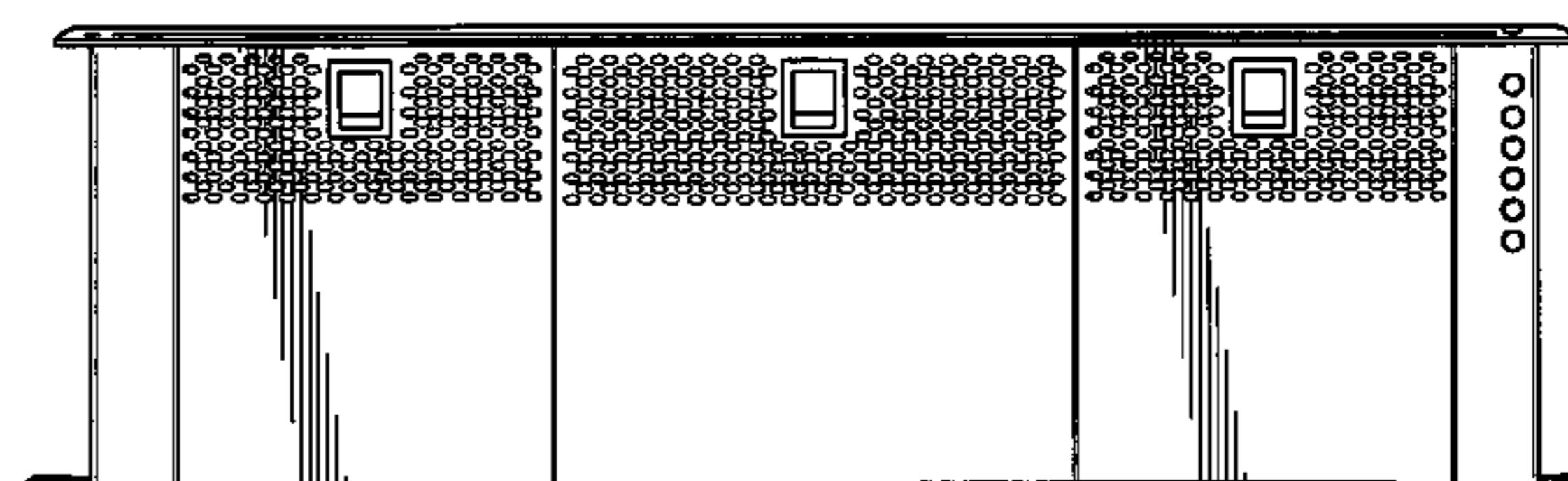
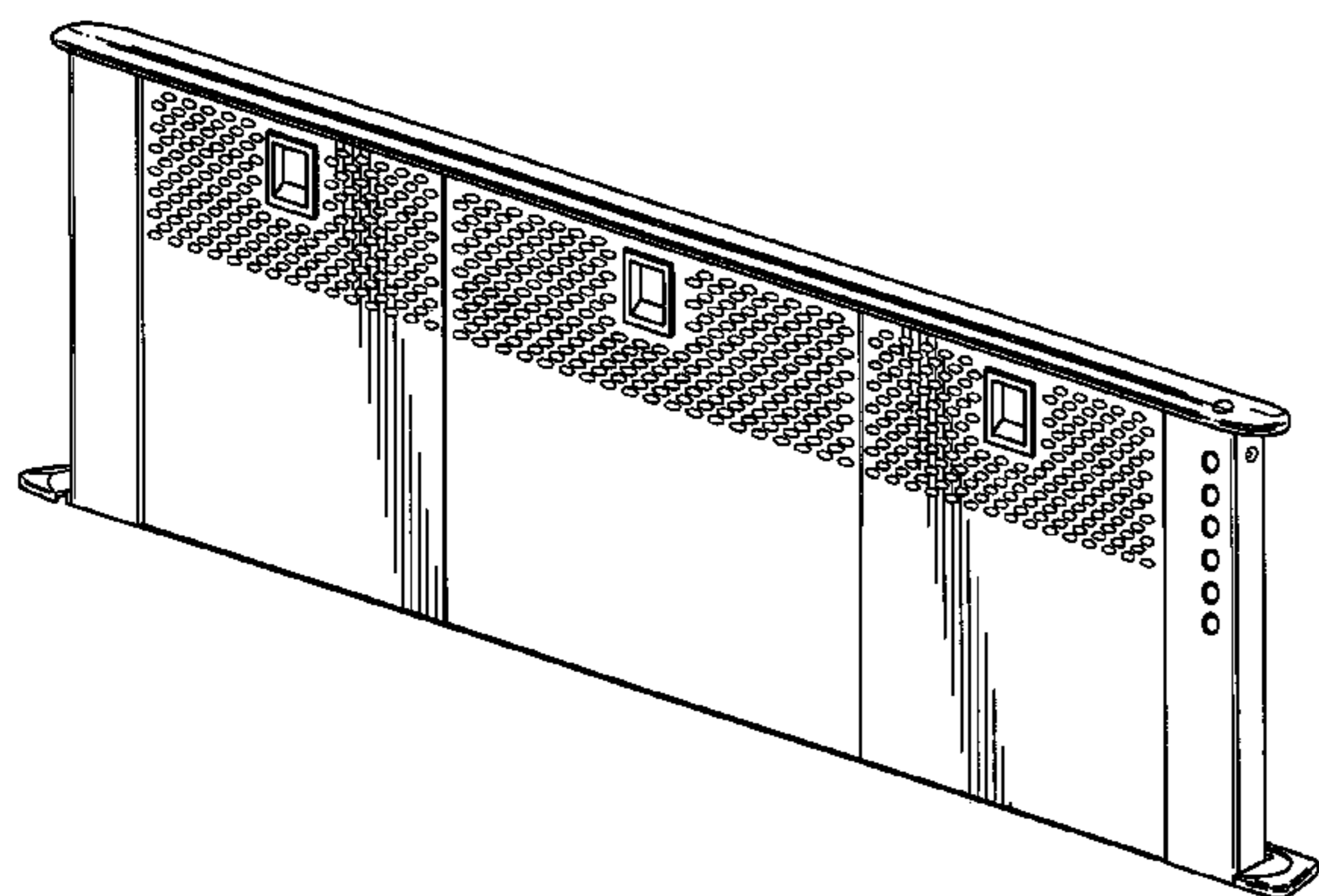
FIG. 2 is a front view thereof;

FIG. 3 is a top view thereof;

FIG. 4 is a left view thereof; and,

FIG. 5 is a right view thereof.

**1 Claim, 5 Drawing Sheets**



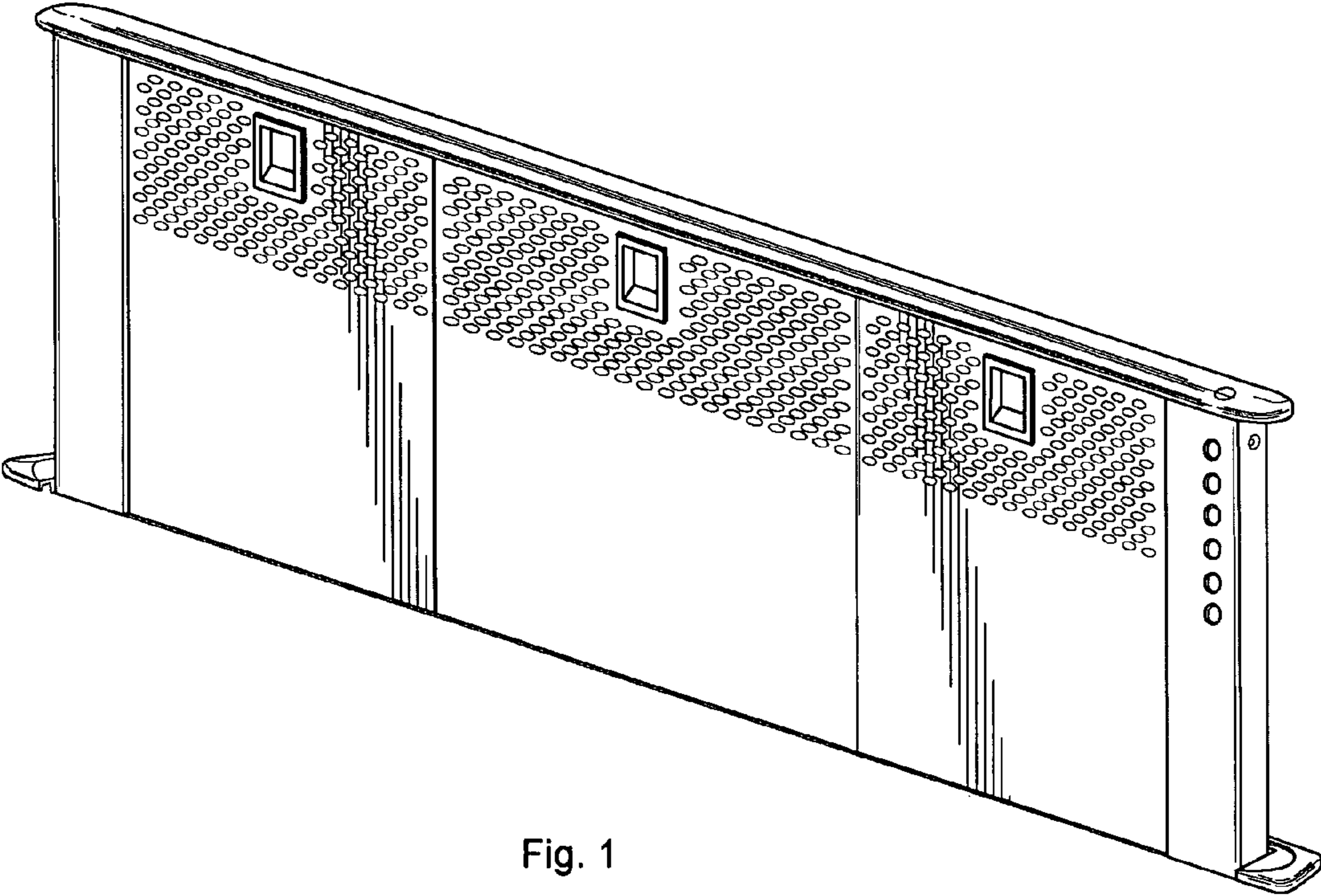


Fig. 1

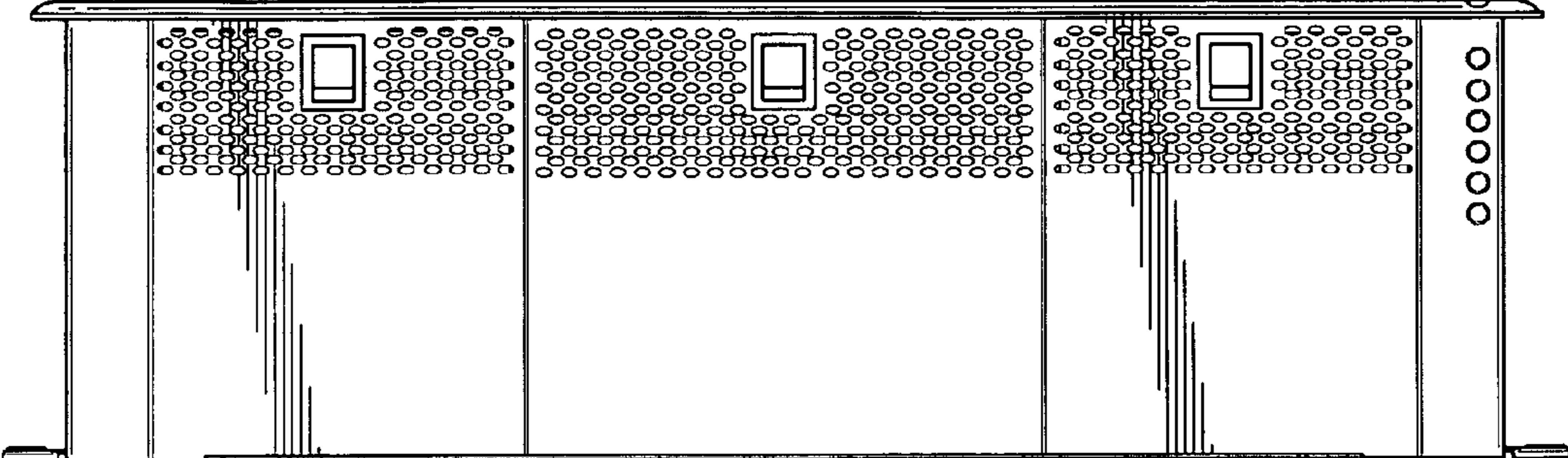


Fig. 2

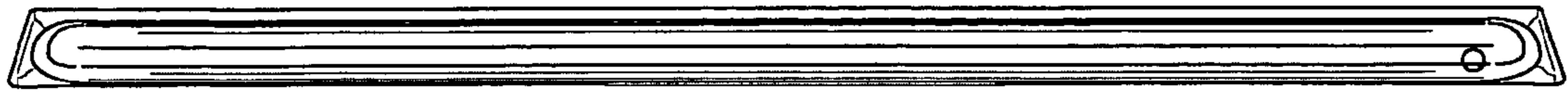


Fig. 3

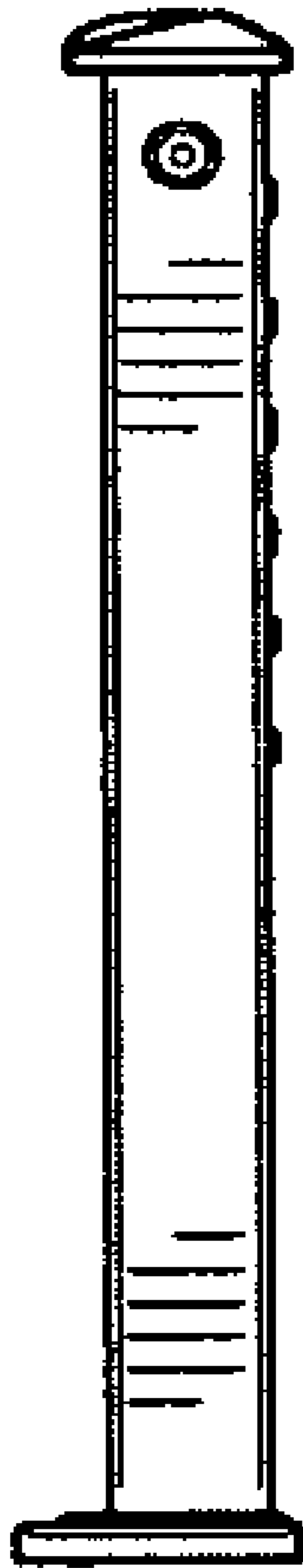


Fig. 4

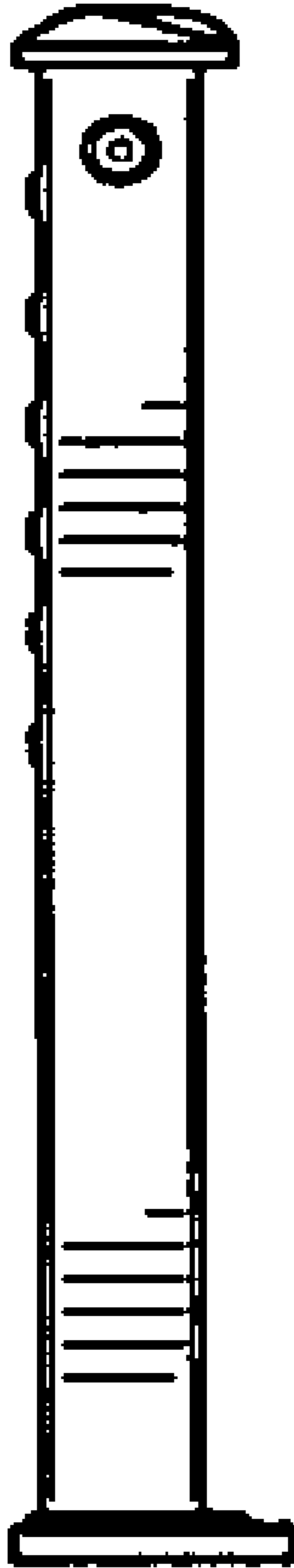


Fig. 5