



US00D622371S

(12) **United States Design Patent**
Beigel et al.

(10) **Patent No.:** **US D622,371 S**

(45) **Date of Patent:** **** *Aug. 24, 2010**

(54) **AIR CLEANER OF A TRUCK VEHICLE**

(75) Inventors: **David J. Beigel**, Payne, OH (US); **Brian J. Jacquay**, New Haven, IN (US); **Marcey K. Collins**, Fort Wayne, IN (US); **Franz Mueller**, Fort Wayne, IN (US); **L. David Allendorph**, Fort Wayne, IN (US); **Jaimi L. Smith**, Lake Orion, MI (US); **Luke Ice**, Fort Wayne, IN (US); **Gerald J. Nix**, Fort Wayne, IN (US); **Ryan T. Jones**, Van Wert, OH (US)

(73) Assignee: **International Truck Intellectual Property Company, LLC**, Warrenville, IL (US)

(*) Notice: This patent is subject to a terminal disclaimer.

(**) Term: **14 Years**

(21) Appl. No.: **29/296,555**

(22) Filed: **Oct. 23, 2007**

(51) **LOC (9) Cl.** **23-04**

(52) **U.S. Cl.** **D23/364**

(58) **Field of Classification Search** D23/365, D23/363, 358, 386, 354, 341, 364; 55/385.3, 55/502, 497, 506, 505, 521, 495, 422, 493, 55/522, DIG. 30, DIG. 31, DIG. 37; 210/497.1; D12/96

See application file for complete search history.

(56) **References Cited**

U.S. PATENT DOCUMENTS

4,265,647 A * 5/1981 Donachiue 55/315

D293,604 S *	1/1988	Andersson	D23/365
D402,024 S *	12/1998	Dudley	D23/365
D412,567 S *	8/1999	Ward et al.	D23/364
D437,401 S *	2/2001	Ramos et al.	D23/364
6,379,410 B1 *	4/2002	Dudley	55/385.3
D504,943 S *	5/2005	Dudley	D23/365
D517,183 S *	3/2006	Huang	D23/365
D520,619 S *	5/2006	Kuempel et al.	D23/364
D555,775 S *	11/2007	Bonde et al.	D23/364
2004/0134171 A1 *	7/2004	Scott et al.	55/502
2004/0148913 A2 *	8/2004	Engel et al.	55/428
2008/0066435 A1 *	3/2008	Engel et al.	55/502

* cited by examiner

Primary Examiner—T. Chase Nelson

Assistant Examiner—David G Muller

(74) *Attorney, Agent, or Firm*—Jeffrey P. Calfa; Mark C. Bach; Gerald W. Askew

(57) **CLAIM**

The ornamental design for an air cleaner of a truck vehicle, as shown and described.

DESCRIPTION

FIG. 1 is a left, front perspective view of an air cleaner of a truck vehicle showing our new design;

FIG. 2 is a left side elevation view thereof;

FIG. 3 is a bottom plan view thereof;

FIG. 4 is a top plan view thereof;

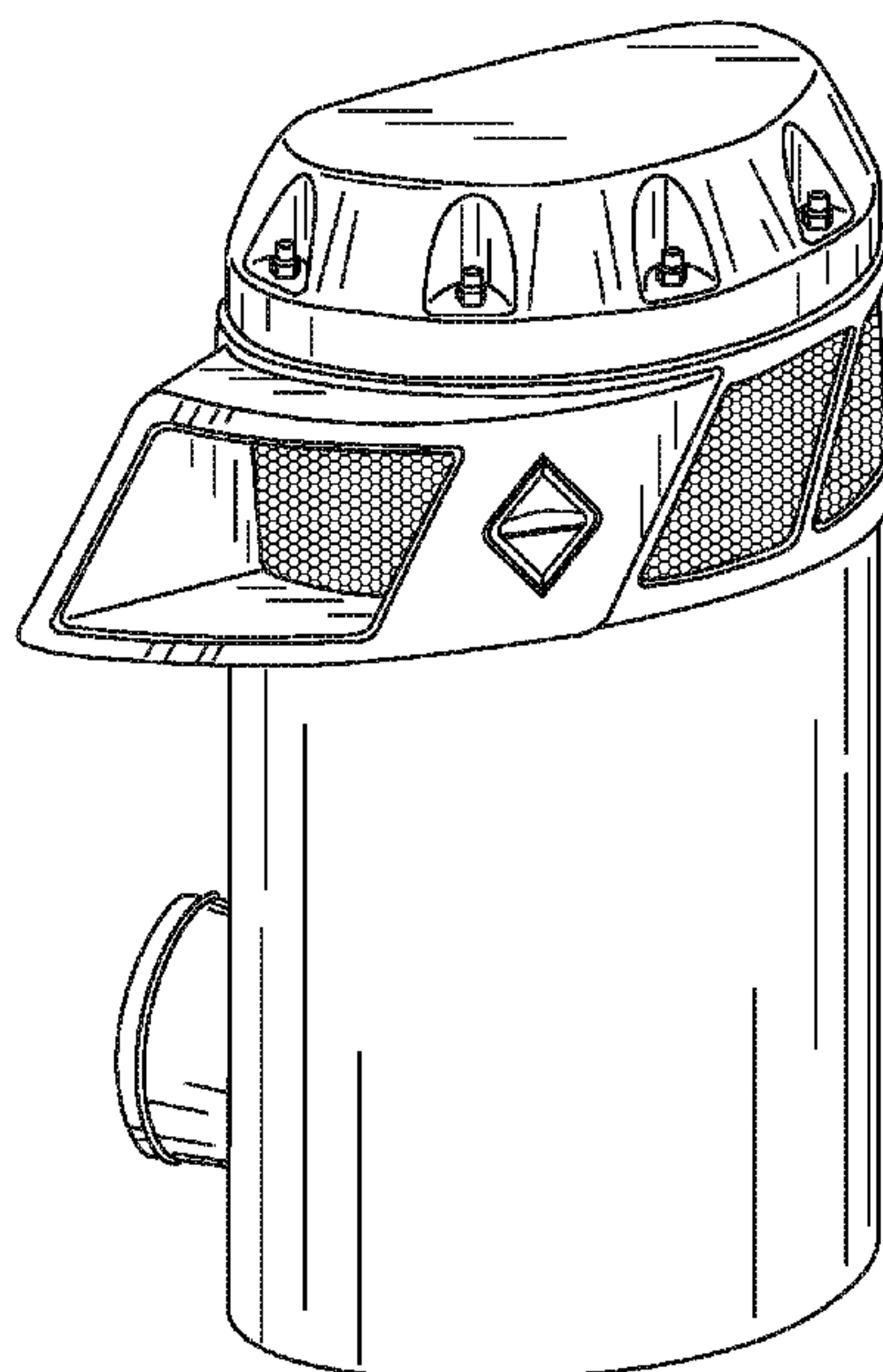
FIG. 5 is a front elevation view thereof;

FIG. 6 is a rear elevation view thereof; and,

FIG. 7 is a right side elevation view thereof.

The broken lines depict portions of the air cleaner that form no part of the claimed design.

1 Claim, 3 Drawing Sheets



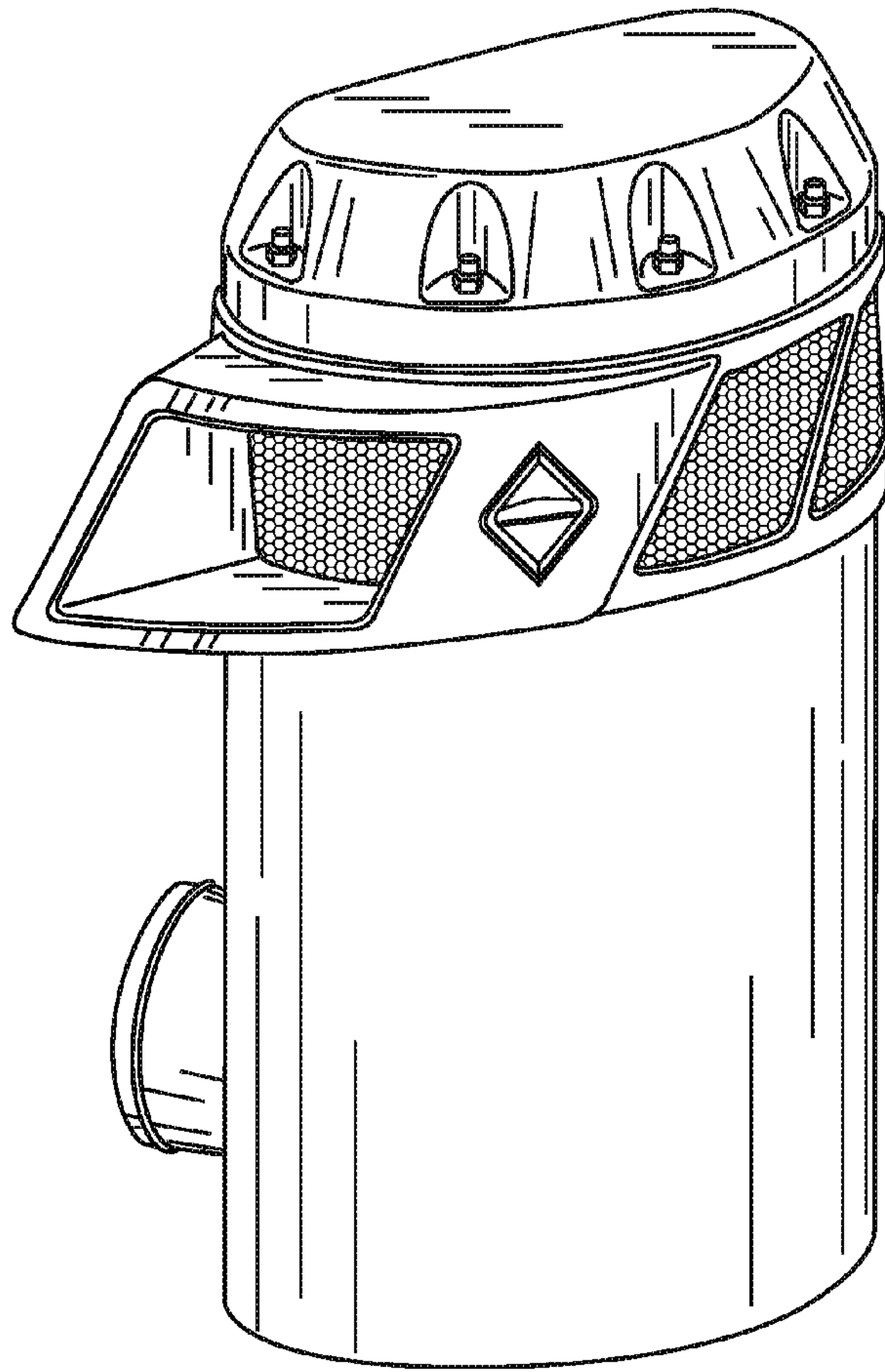


FIG. 1

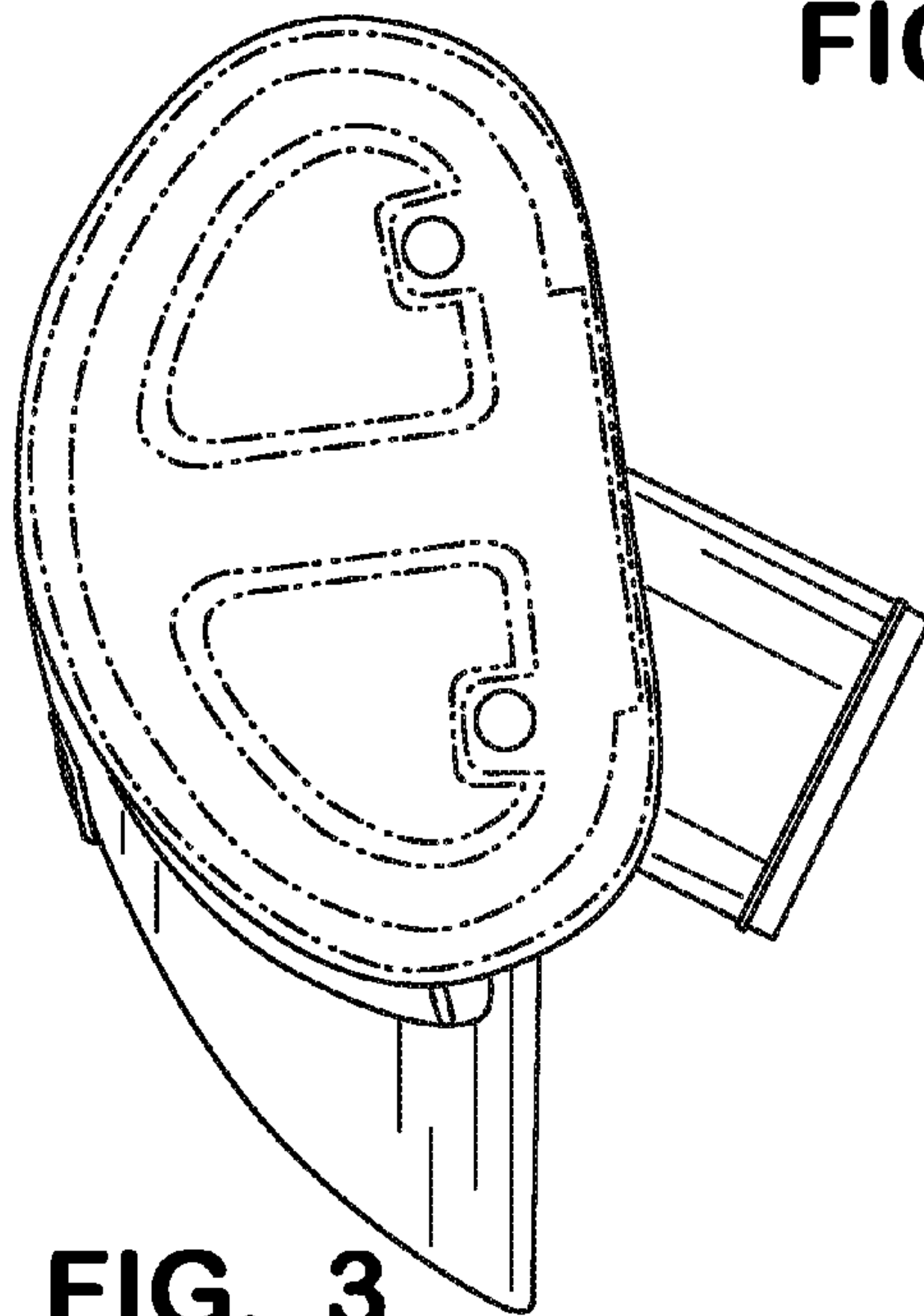


FIG. 3

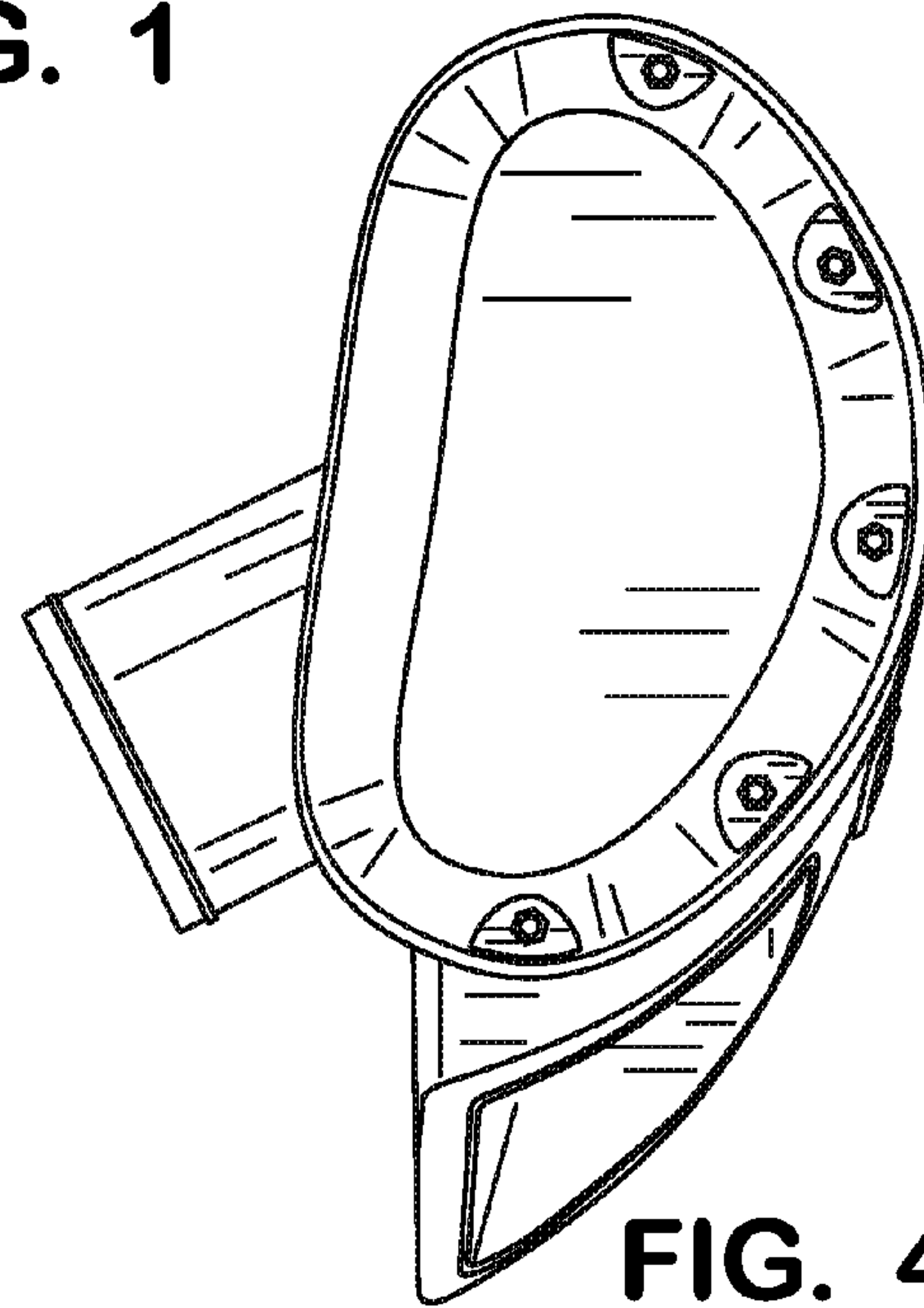


FIG. 4

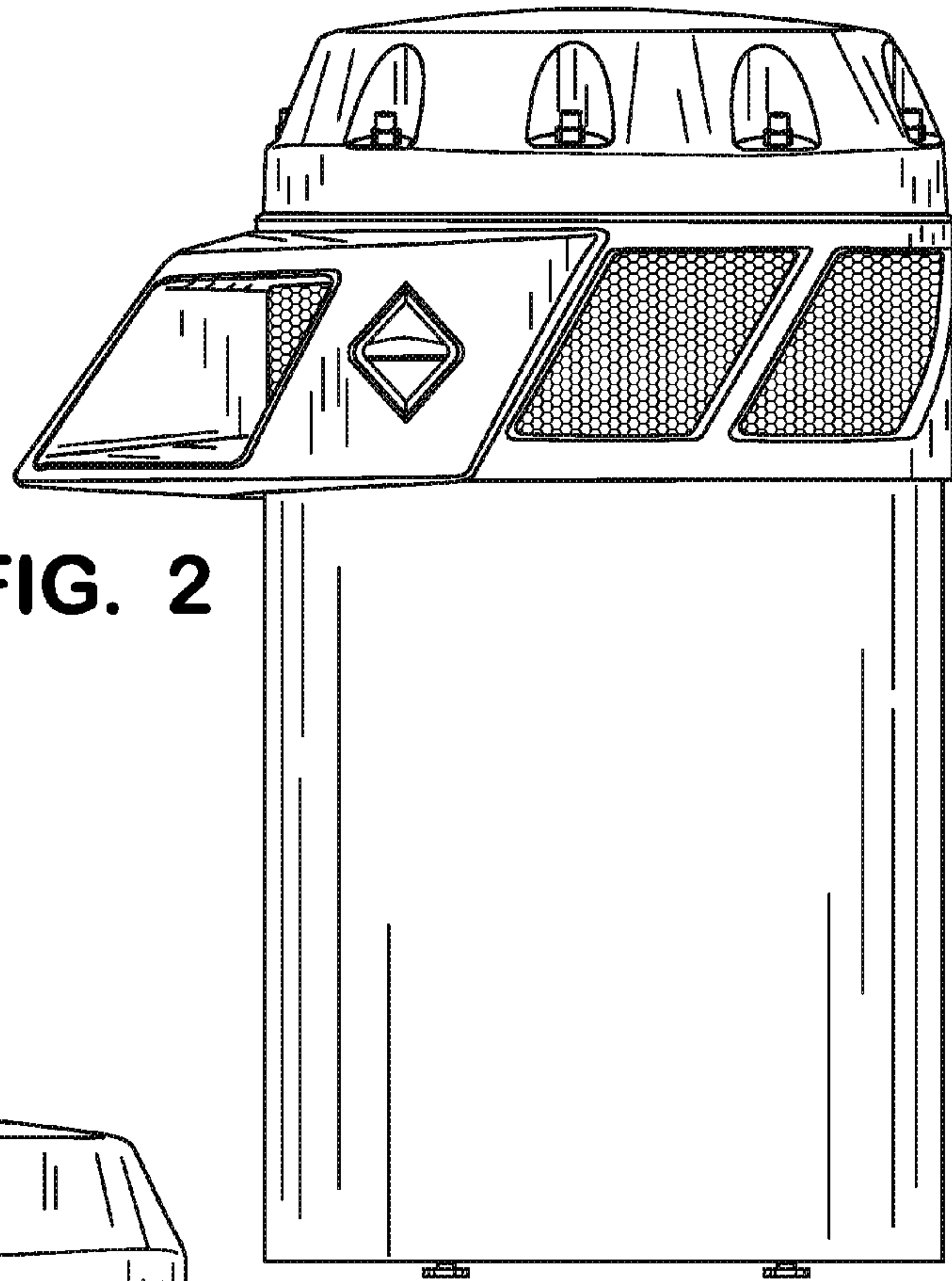


FIG. 2

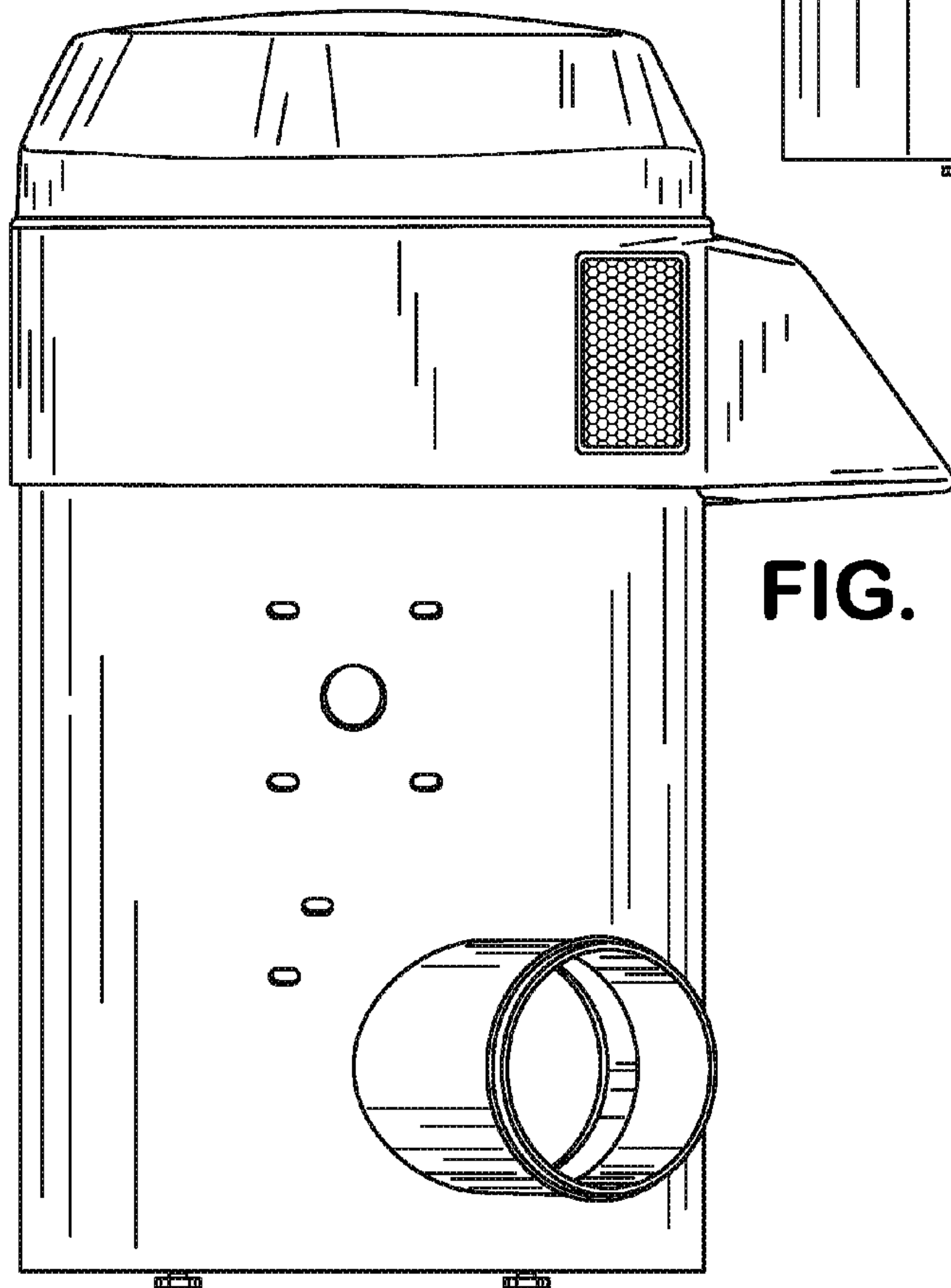


FIG. 7

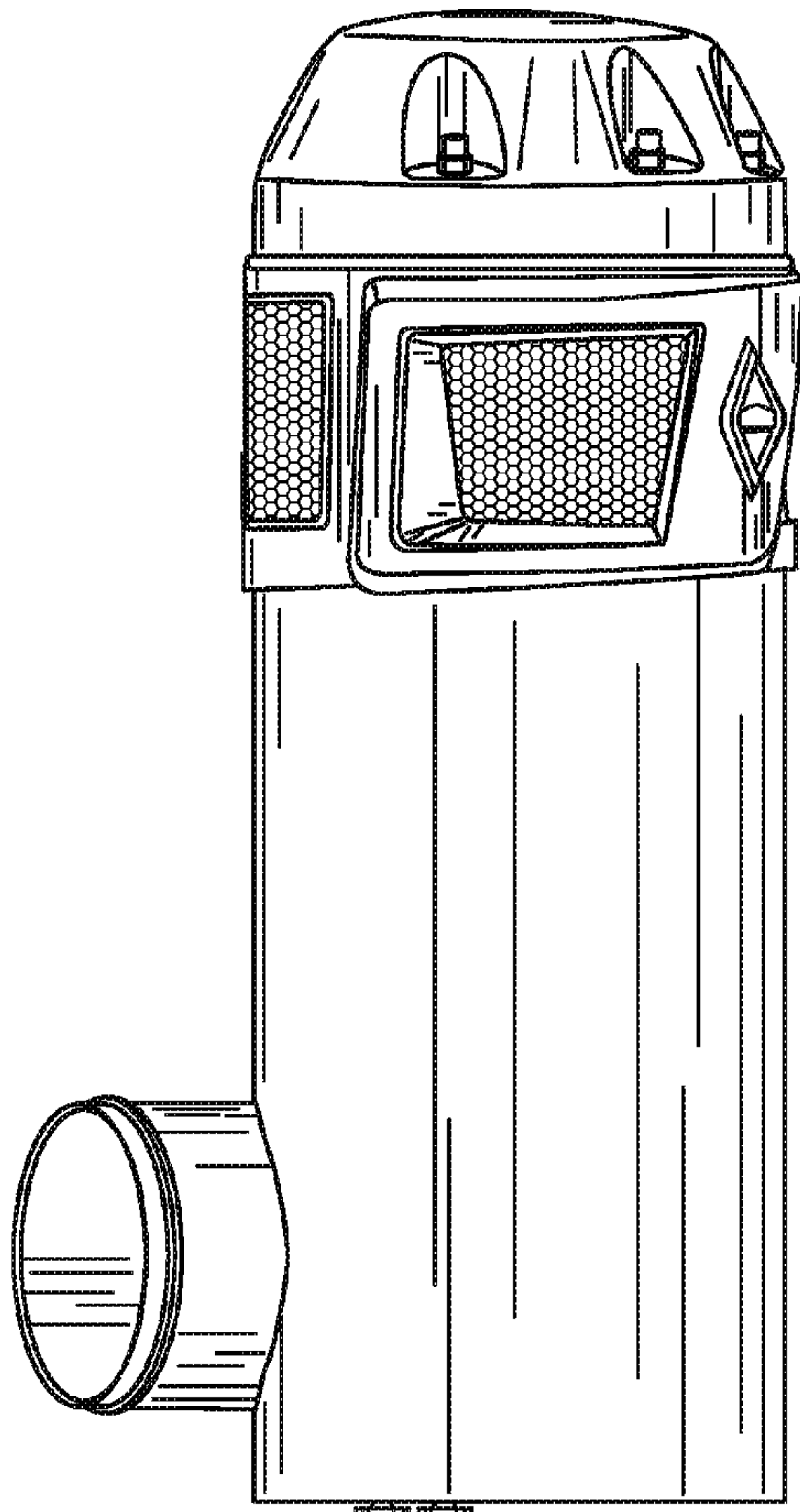


FIG. 5

FIG. 6

