



US00D622370S

(12) **United States Design Patent**
Gilbert

(10) **Patent No.:** **US D622,370 S**

(45) **Date of Patent:** **** Aug. 24, 2010**

(54) **TOILET SEAT**

7,093,308 B2 8/2006 Berlovan et al.

(75) Inventor: **Christopher Jon Gilbert**, Moreland Hills, OH (US)

* cited by examiner

(73) Assignee: **Moen Incorporated**, North Olmsted, OH (US)

Primary Examiner—Robert A Delehanty

(74) *Attorney, Agent, or Firm*—Calfee, Halter & Griswold LLP

(**) Term: **14 Years**

(57) **CLAIM**

(21) Appl. No.: **29/341,923**

The ornamental design for a toilet seat, as shown and described.

(22) Filed: **Aug. 14, 2009**

DESCRIPTION

(51) **LOC (9) Cl.** **23-02**

(52) **U.S. Cl.** **D23/311**

(58) **Field of Classification Search** D23/303,
D23/309, 311, 278, 312; 4/444, 234, 237,
4/242.1, 902

FIG. 1 is a perspective view of a toilet seat of the new design;

FIG. 2 is a front elevational view of the toilet seat of the new design;

FIG. 3 is a rear elevational view of the toilet seat of the new design;

See application file for complete search history.

FIG. 4 is a left side elevational view of the toilet seat of the new design, the right side elevational view being a mirror image thereof;

(56) **References Cited**

U.S. PATENT DOCUMENTS

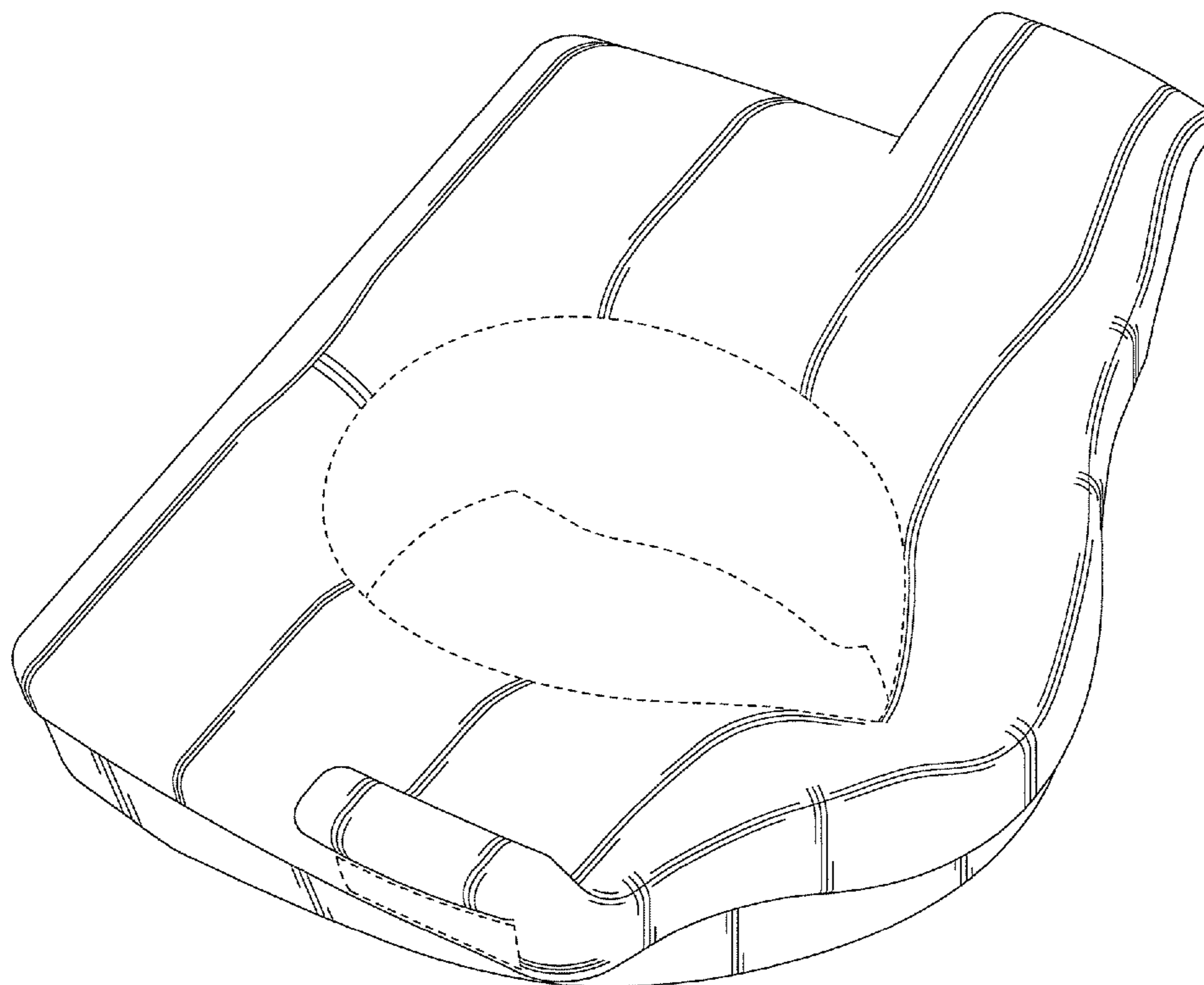
3,594,831 A *	7/1971	Brewer	4/237
D290,035 S	5/1987	Mann et al.		
D307,048 S	4/1990	Spiegel		
D378,311 S *	3/1997	Dartnall	D23/311
D390,931 S	2/1998	Jackson		
D411,290 S *	6/1999	Bergkvist	D23/296
6,052,838 A	4/2000	Thom et al.		
D460,815 S	7/2002	Higgs et al.		
D489,438 S	5/2004	Hunt		

FIG. 5 is a top plan view of the toilet seat of the new design; and,

FIG. 6 is a bottom plan view of the toilet seat of the new design.

The portions of the Figures shown in broken lines are not part of the claimed design and are for illustration only.

1 Claim, 4 Drawing Sheets



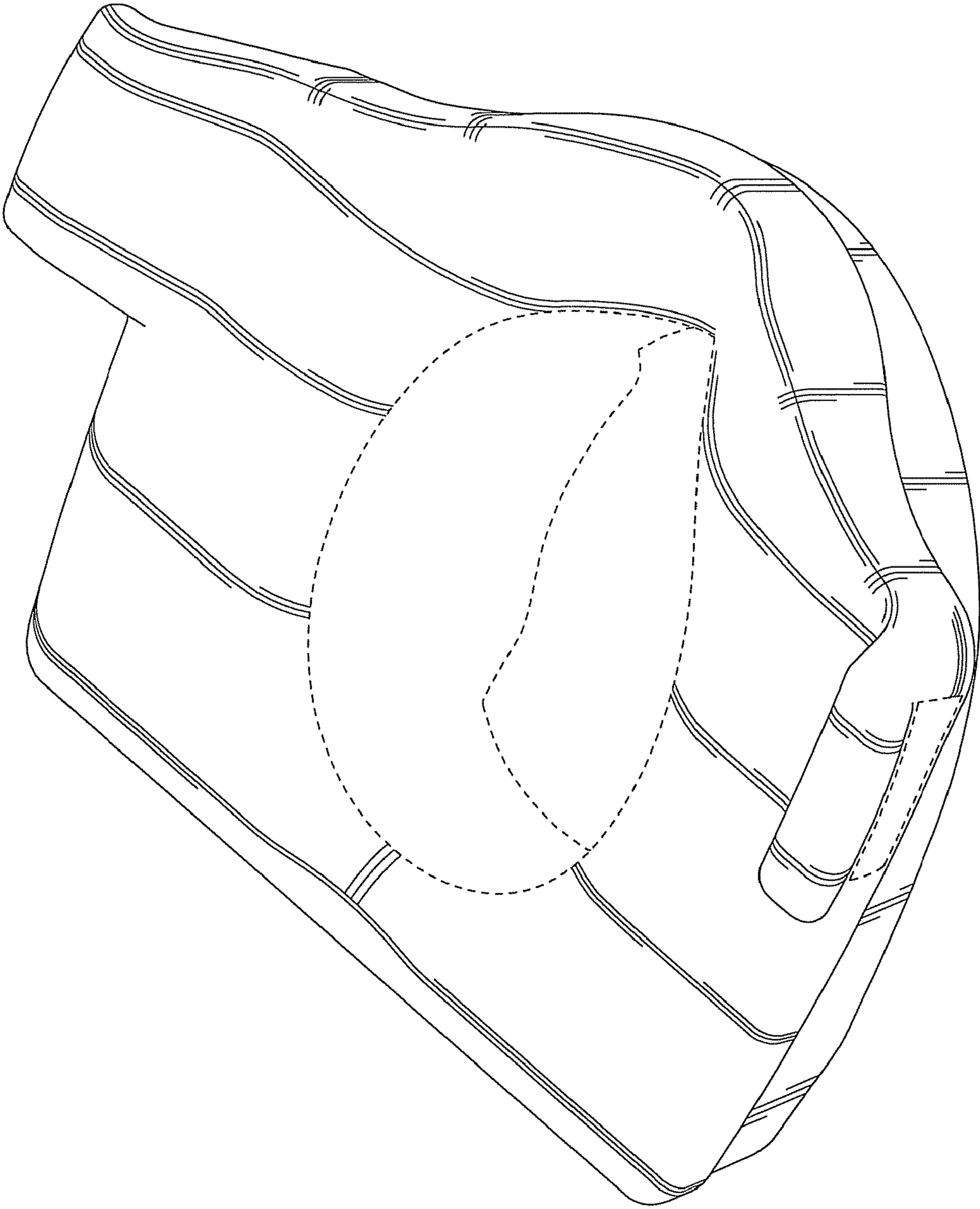


FIG. 1

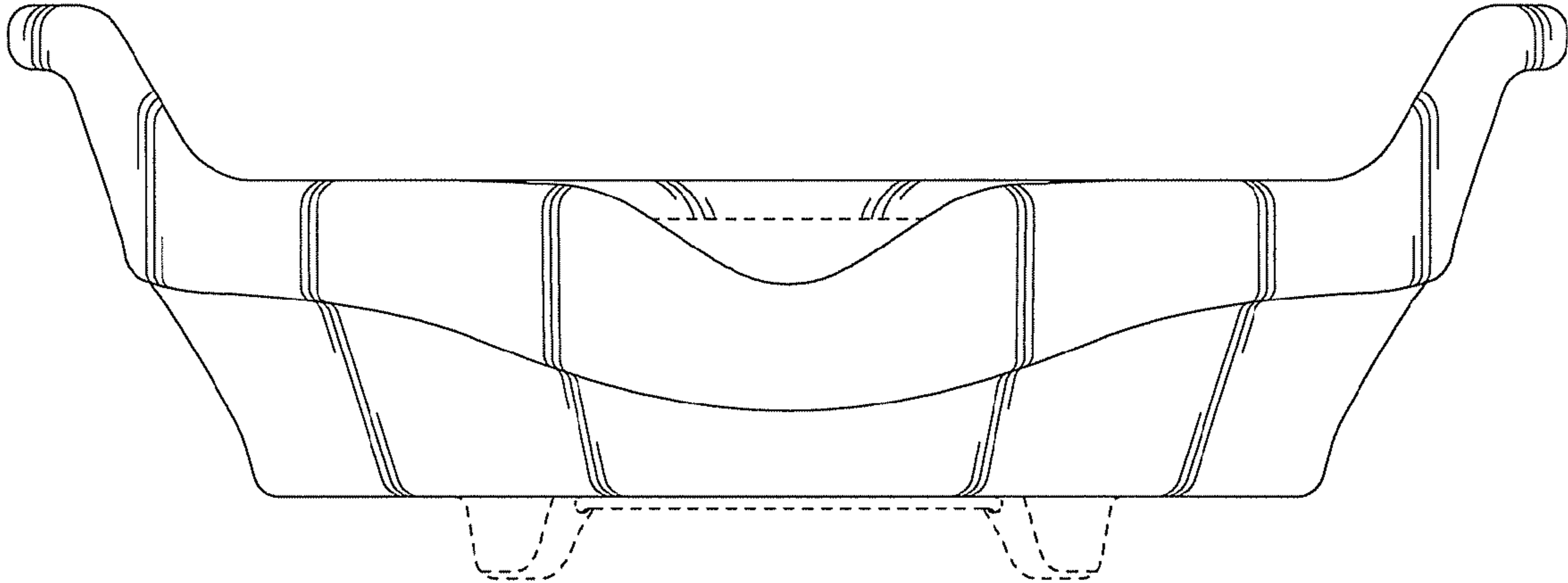


FIG. 2

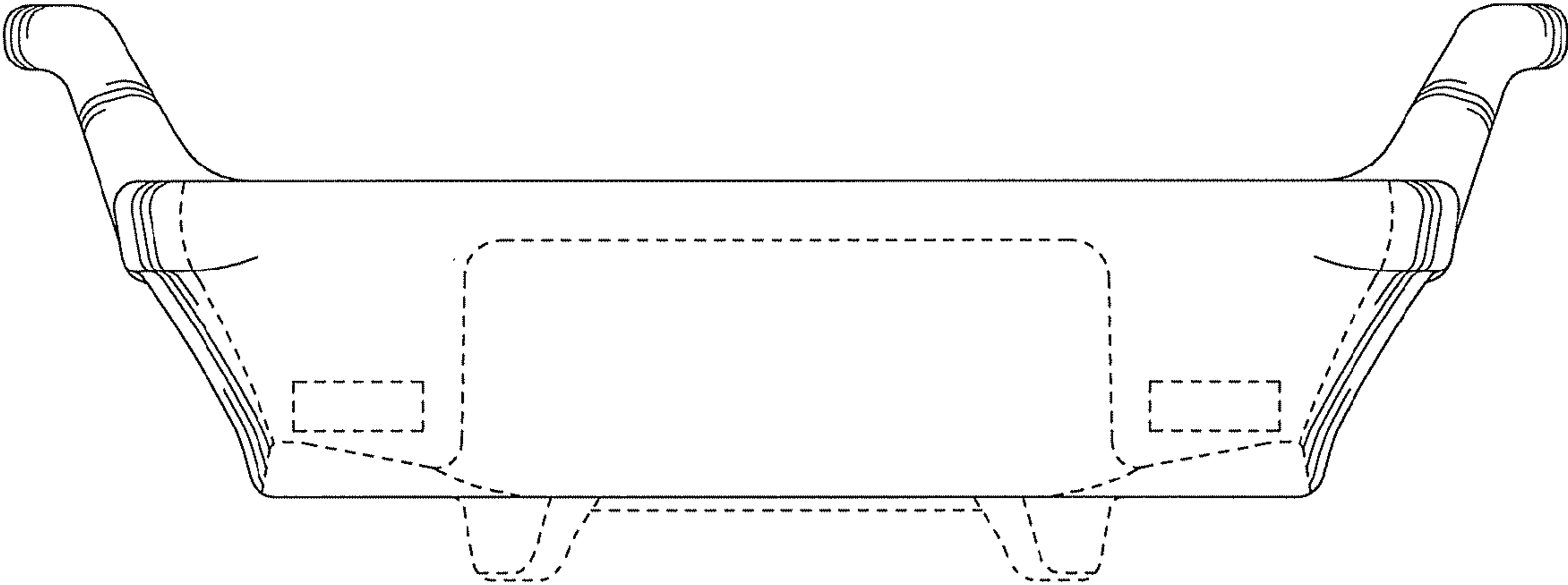


FIG. 3

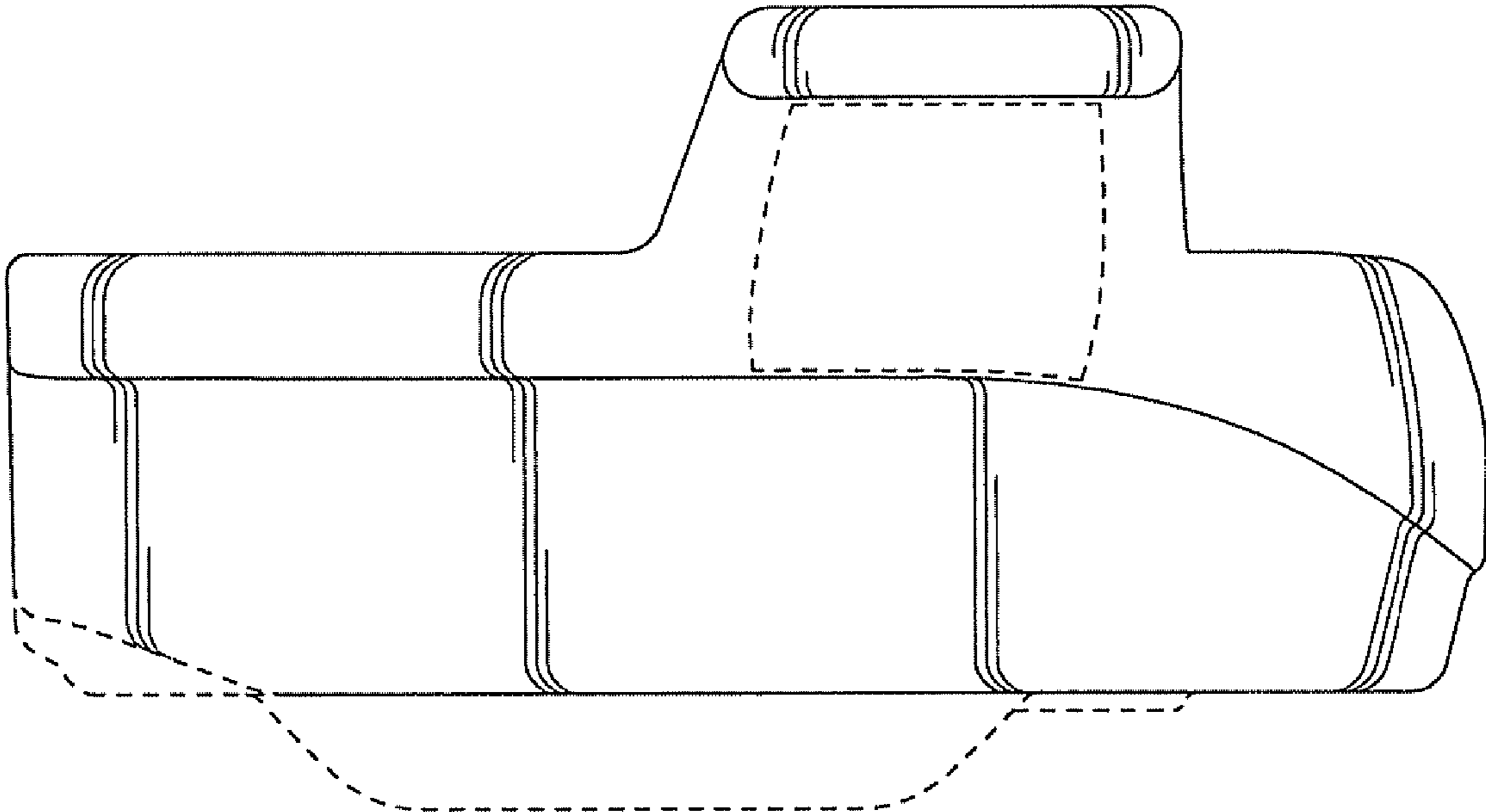


FIG. 4

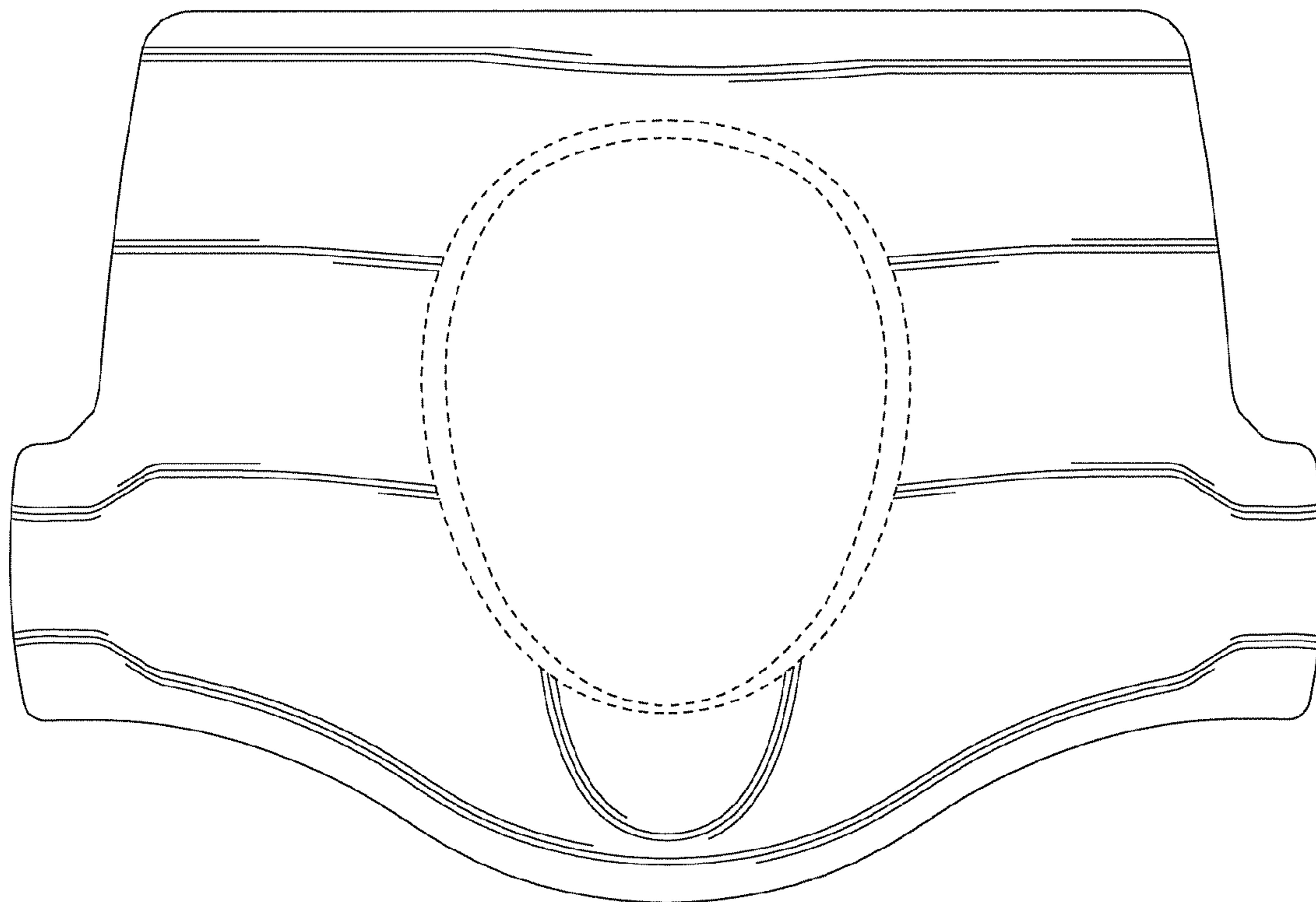


FIG. 5

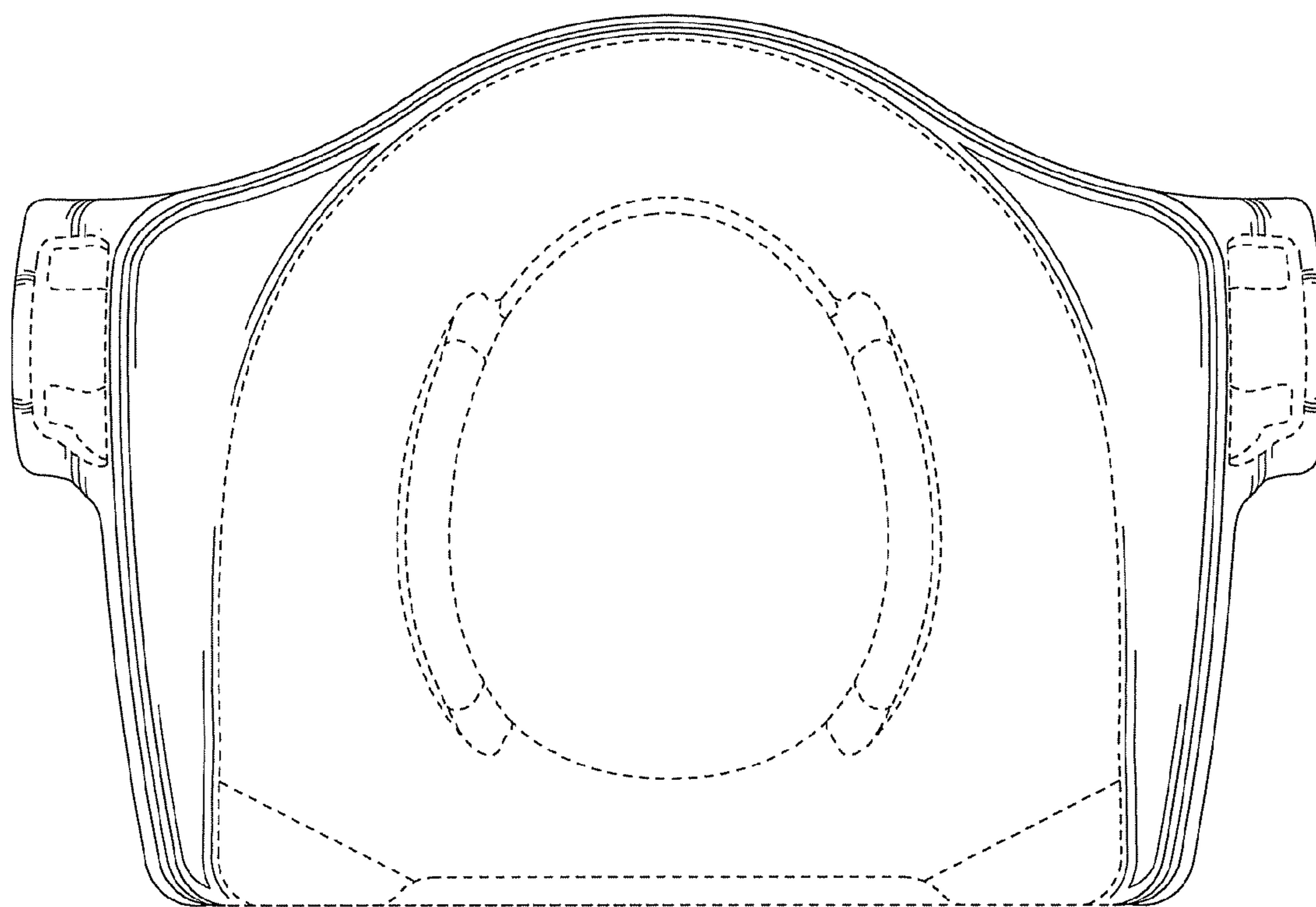


FIG. 6