



US00D622366S

(12) **United States Design Patent**  
**Ihlefeld et al.**

(10) **Patent No.:** **US D622,366 S**

(45) **Date of Patent:** **\*\* Aug. 24, 2010**

(54) **SOUNDING TOILET ACCESSORY**

(76) Inventors: **Kevin Ihlefeld**, 23 Village Green,  
Norfolk, MA (US) 02056; **Timothy C. Ihlefeld**, 450 Hollydale Rd., Fairfield,  
CT (US) 06824

(\*\*) Term: **14 Years**

(21) Appl. No.: **29/314,559**

(22) Filed: **Apr. 10, 2009**

(51) **LOC (9) Cl.** ..... **23-02**

(52) **U.S. Cl.** ..... **D23/309**; D14/194

(58) **Field of Classification Search** ..... D23/310-31,  
D23/303, 1; 4/251.1, 300.2, 901, 243.3,  
4/245.1, 245.8; D14/188, 197, 194, 192  
See application file for complete search history.

(56) **References Cited**

U.S. PATENT DOCUMENTS

3,693,089 A \* 9/1972 Hutchinson et al. .... 455/351

D389,837 S \* 1/1998 Summers et al. .... D14/194  
D426,227 S \* 6/2000 Taniguchi ..... D14/194  
6,363,244 B1 \* 3/2002 McGhee ..... 455/90.1  
D478,060 S \* 8/2003 Christianson ..... D14/188  
D546,814 S \* 7/2007 Takita et al. .... D14/168  
D611,927 S \* 3/2010 Hansen et al. .... D14/188  
D613,725 S \* 4/2010 Chen ..... D14/194

\* cited by examiner

*Primary Examiner*—Robert A Delehanty

(74) *Attorney, Agent, or Firm*—Richard L. Mikesell

(57) **CLAIM**

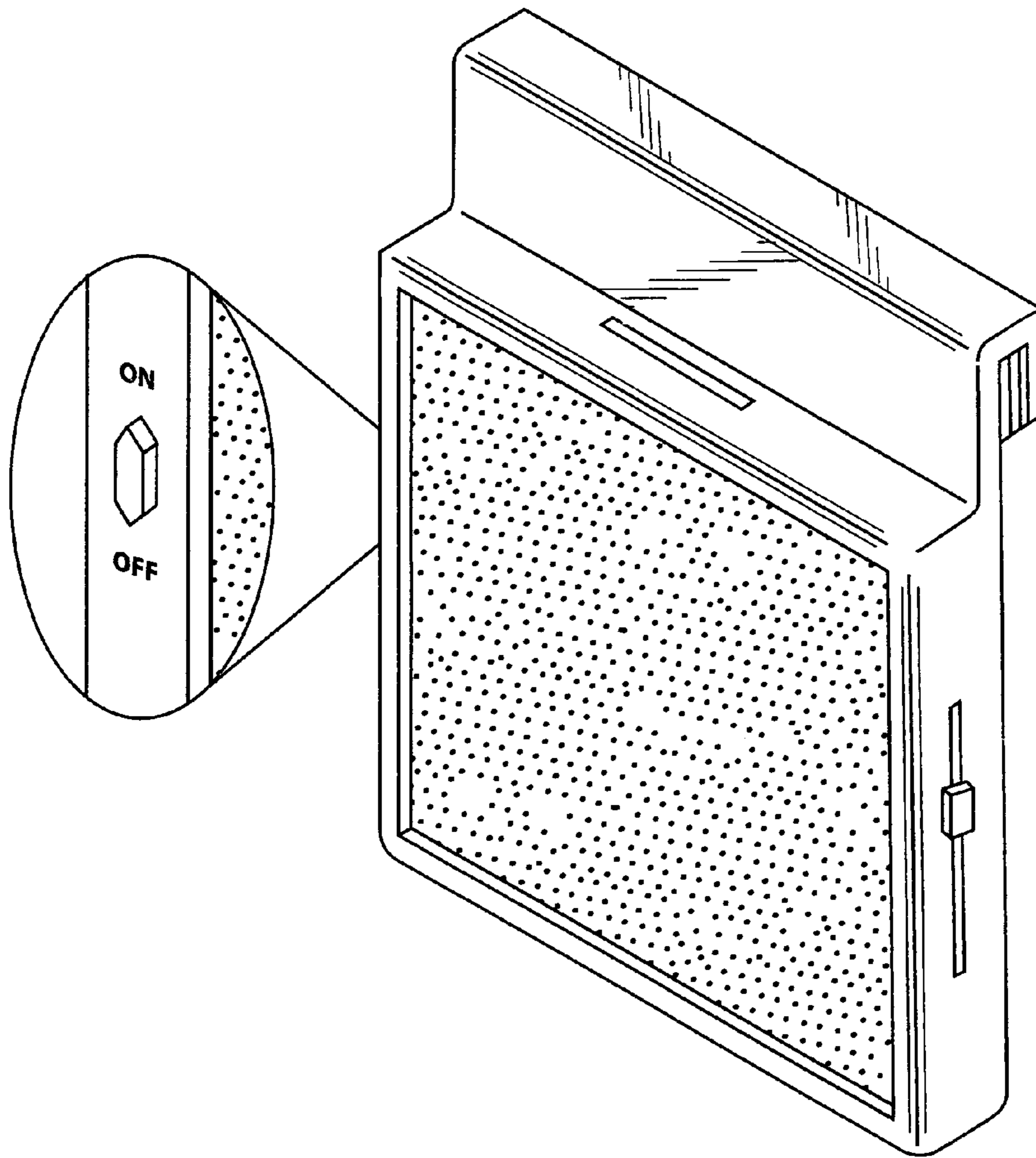
The ornamental design for a sounding toilet accessory, as shown and described.

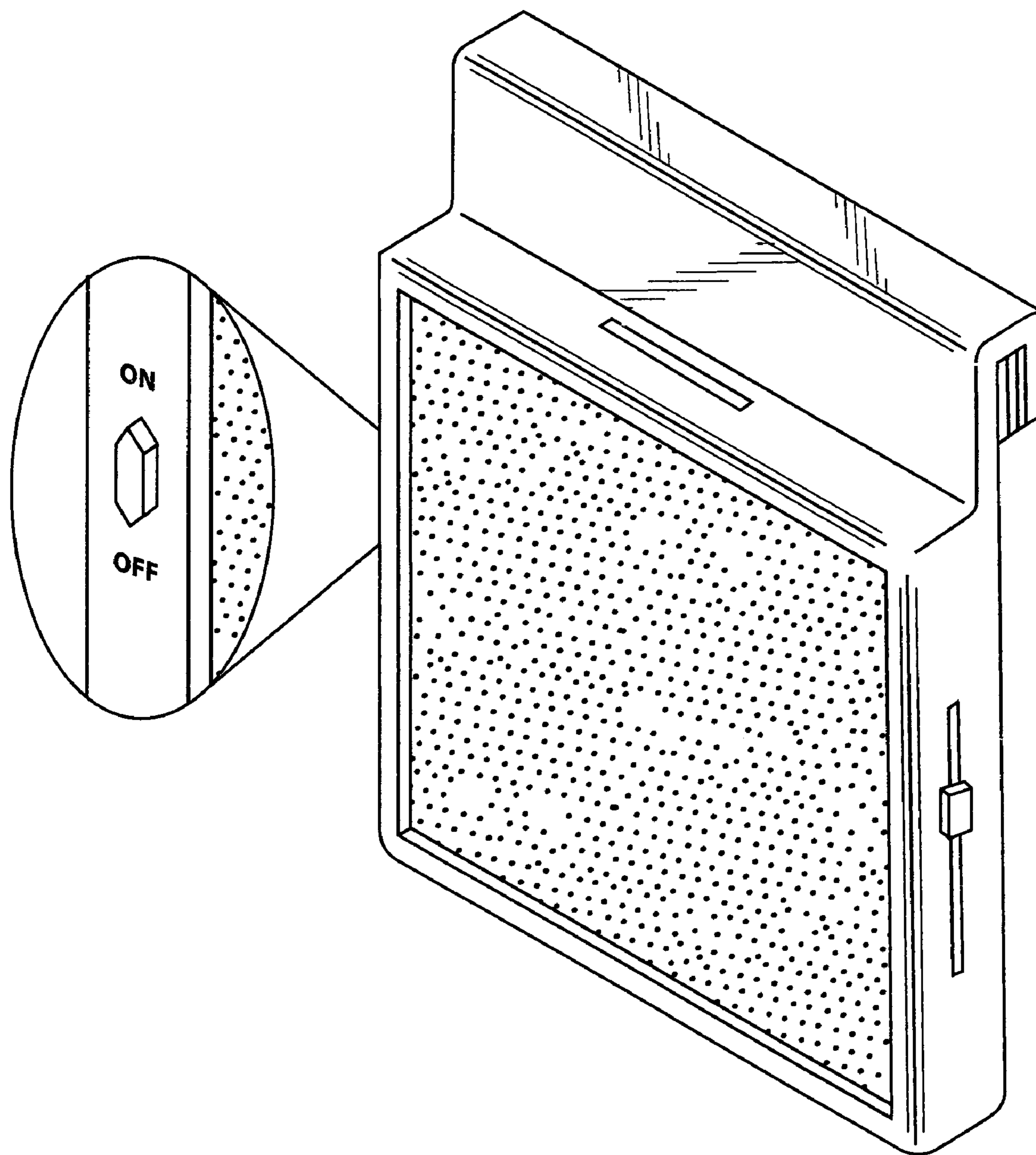
**DESCRIPTION**

FIG. 1: Top left side perspective view, showing an enlarged view of the on/off switch on the right side, and a memory chip slot on a top surface.

The rear and bottom are plain and unadorned.

**1 Claim, 1 Drawing Sheet**





**Fig. 1**