



US00D622363S

(12) **United States Design Patent**
Zierler

(10) **Patent No.:** **US D622,363 S**

(45) **Date of Patent:** **** Aug. 24, 2010**

(54) **WALK-IN BATHTUB**

(75) Inventor: **Wolfgang Zierler**, Bad Ischl (AT)

(73) Assignee: **Artweger GmbH & Co.**, Bad Ischl (AT)

(**) Term: **14 Years**

(21) Appl. No.: **29/347,001**

(22) Filed: **Aug. 21, 2009**

(30) **Foreign Application Priority Data**

Feb. 25, 2009 (EM) 001095012

(51) **LOC (9) Cl.** **23-02**

(52) **U.S. Cl.** **D23/279**

(58) **Field of Classification Search** D23/277,
D23/279-280.3, 283, 304-305; 4/538, 557-558;
D24/204-205

See application file for complete search history.

(56) **References Cited**

U.S. PATENT DOCUMENTS

- D250,895 S * 1/1979 Laver D23/280.1
- D253,125 S * 10/1979 Primault D23/280.4
- D300,556 S * 4/1989 Delepine D23/280.1
- D324,263 S * 2/1992 Kohler et al. D23/280.1
- D324,729 S * 3/1992 Yvetot D23/280.1

- 5,642,959 A * 7/1997 Greferath 403/388
- 6,226,808 B1 * 5/2001 Walshe 4/557
- 6,895,609 B2 * 5/2005 Ingram et al. 4/538
- D511,567 S * 11/2005 Beahn D23/279
- D573,700 S * 7/2008 Clarke D23/279

* cited by examiner

Primary Examiner—Robert A Delehanty

(74) *Attorney, Agent, or Firm*—Dykema Gossett PLLC

(57) **CLAIM**

The ornamental design for a walk-in bathtub, as shown and described.

DESCRIPTION

FIG. 1 is a perspective view of a walk-in bathtub according to my ornamental design,

FIG. 2 is a perspective view of the tub tray thereof,

FIG. 3 is a top plan view of the tub tray,

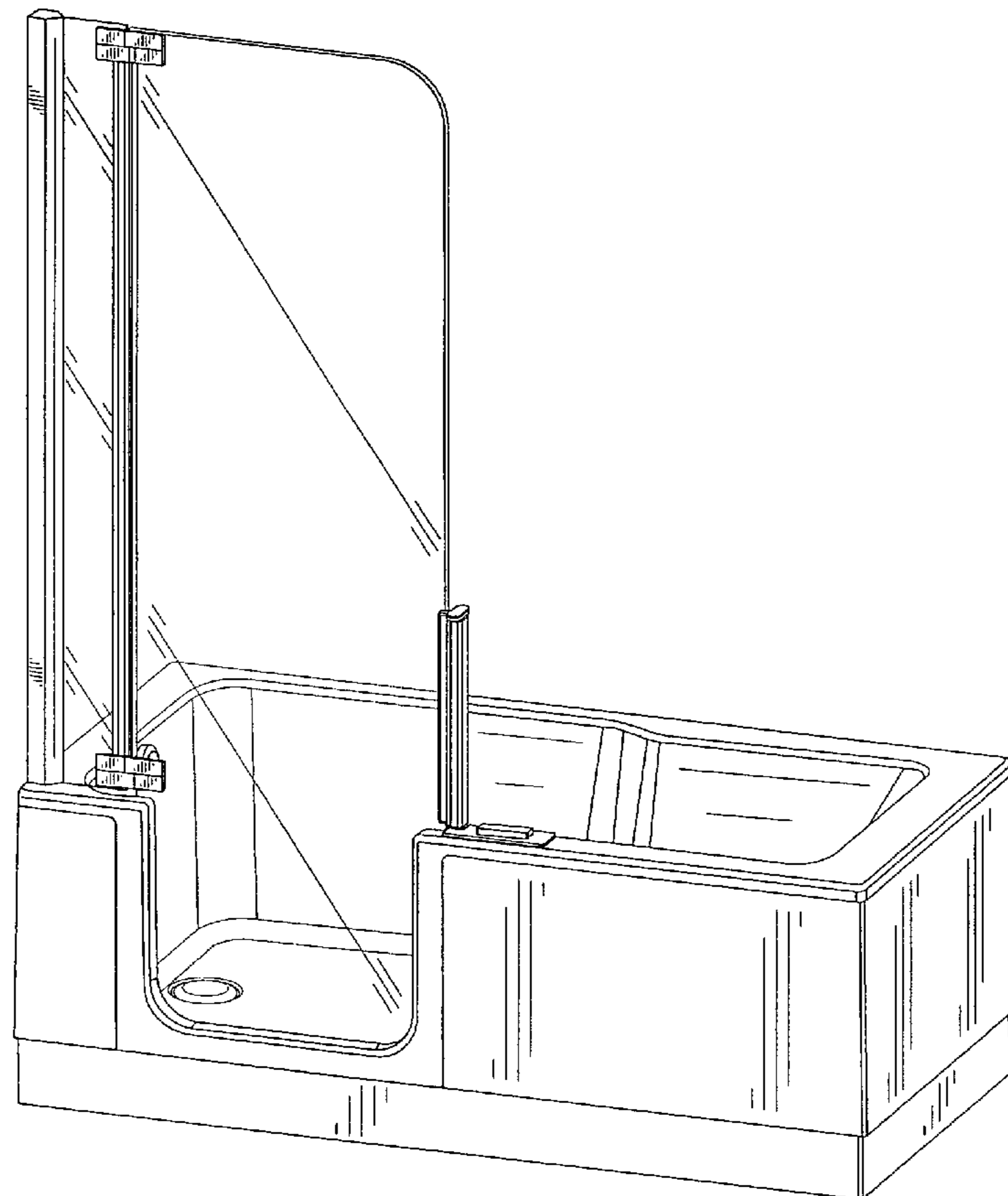
FIG. 4 is a perspective view of the door thereof,

FIG. 5 is a partly exploded perspective view of the door,

FIG. 6 is an enlarged perspective view of the door locking device thereof; and,

FIG. 7 is an exploded perspective view of the locking device.

1 Claim, 5 Drawing Sheets



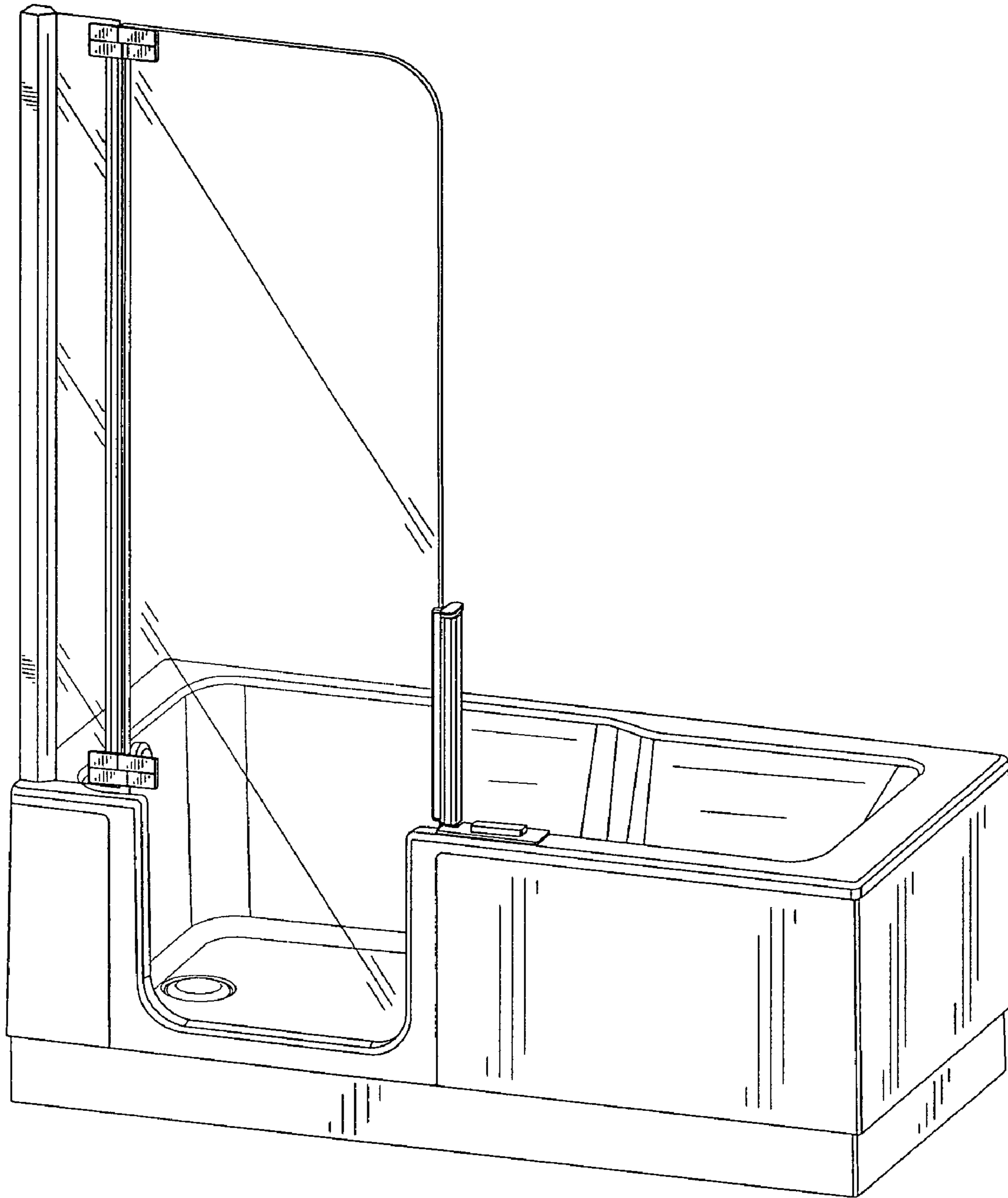


FIG. 1

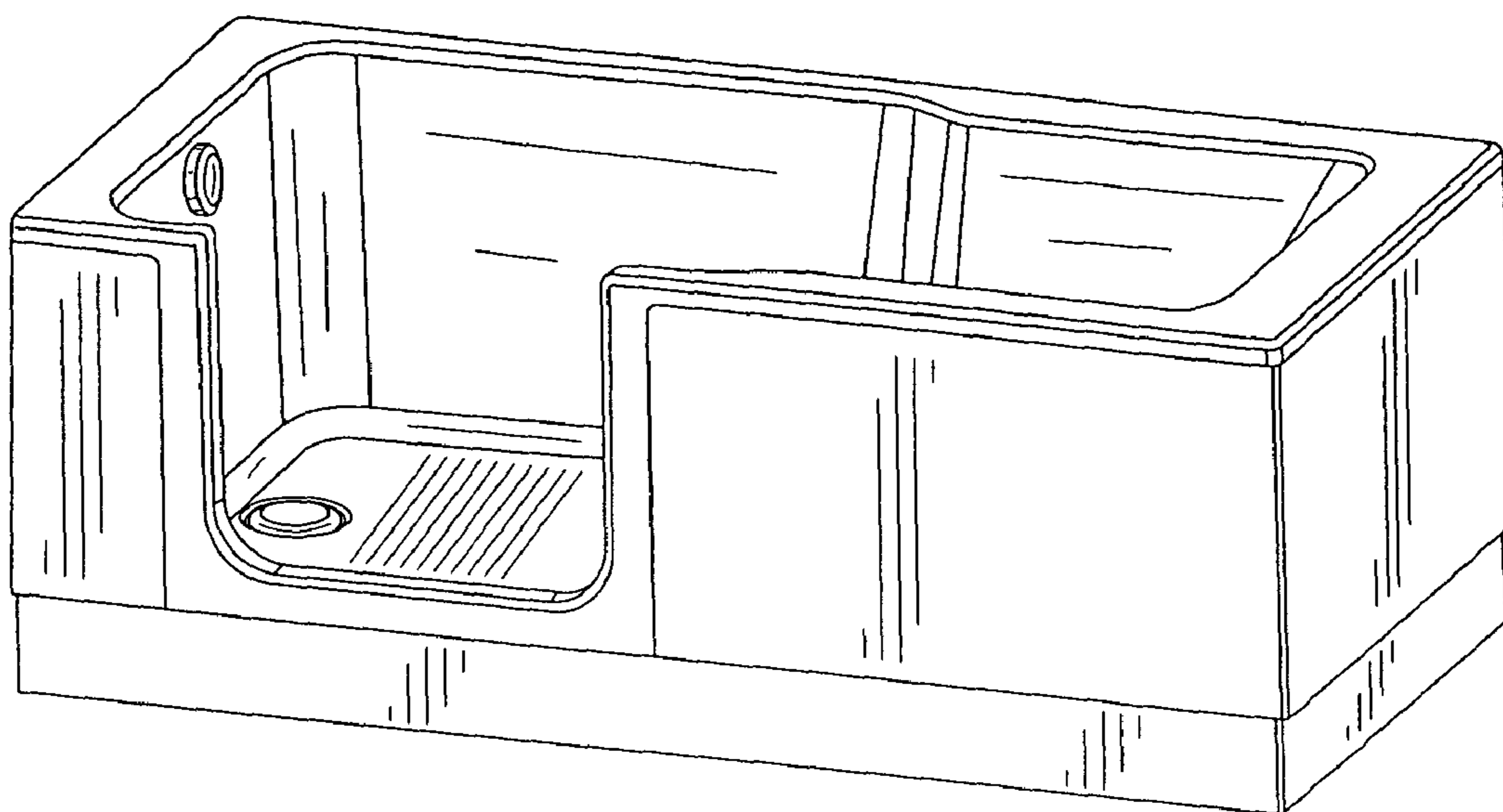


FIG. 2

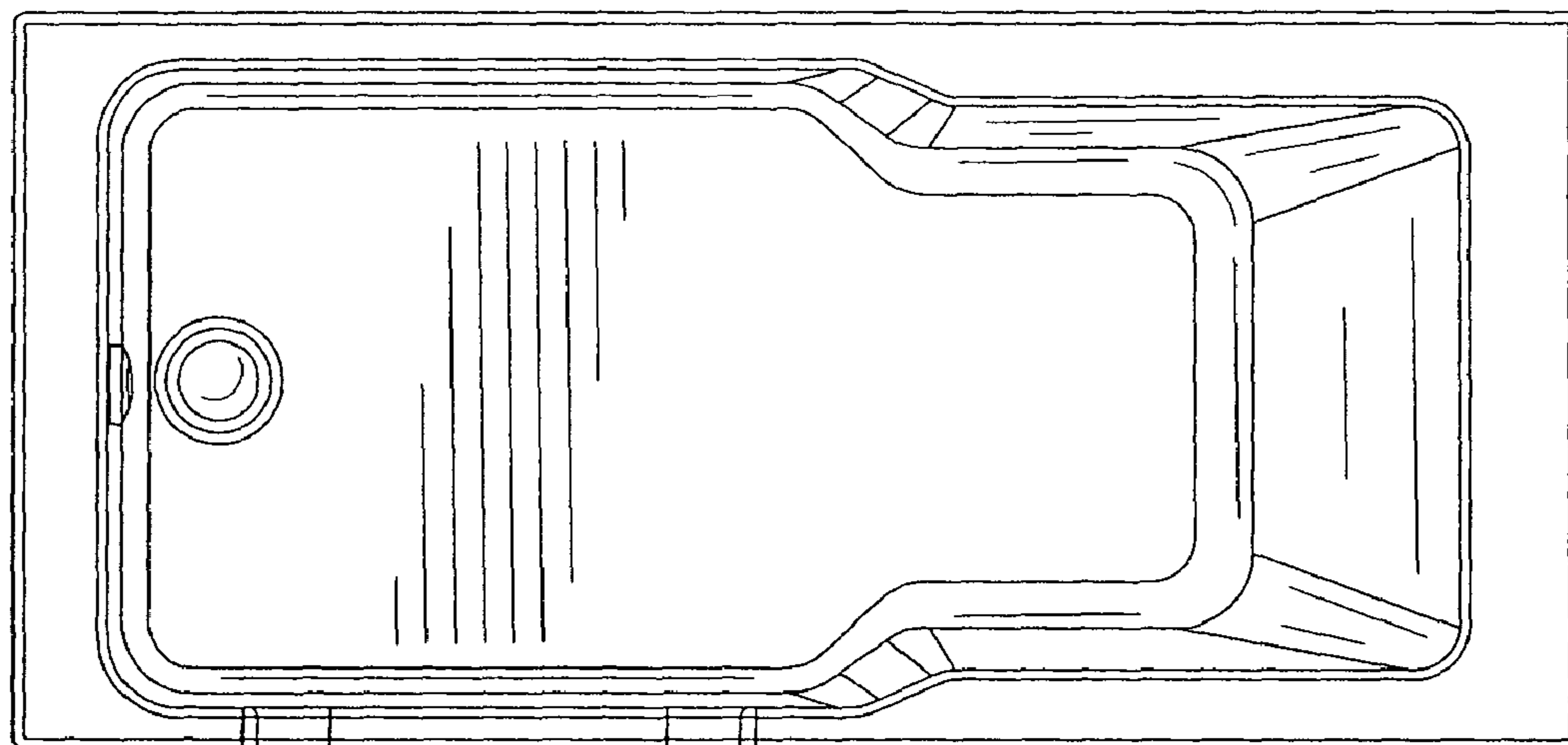


FIG. 3

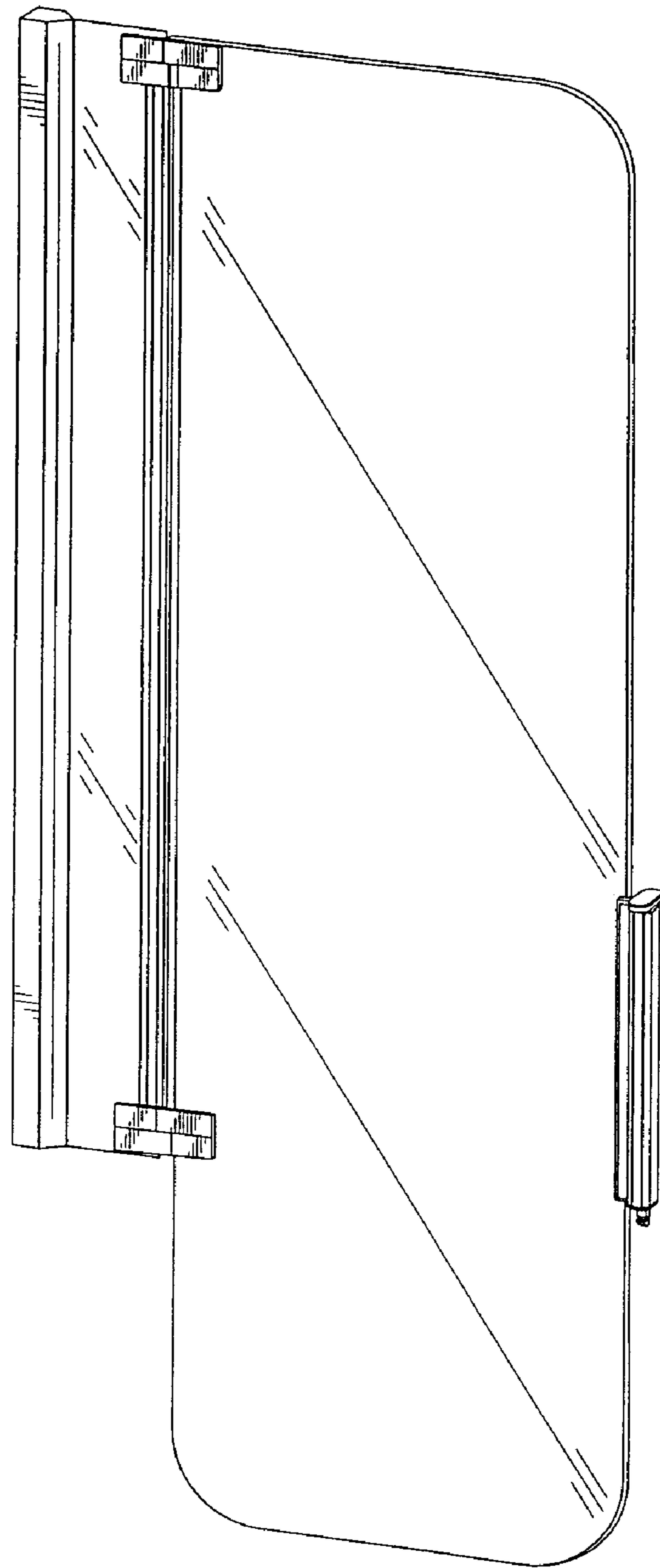


FIG. 4

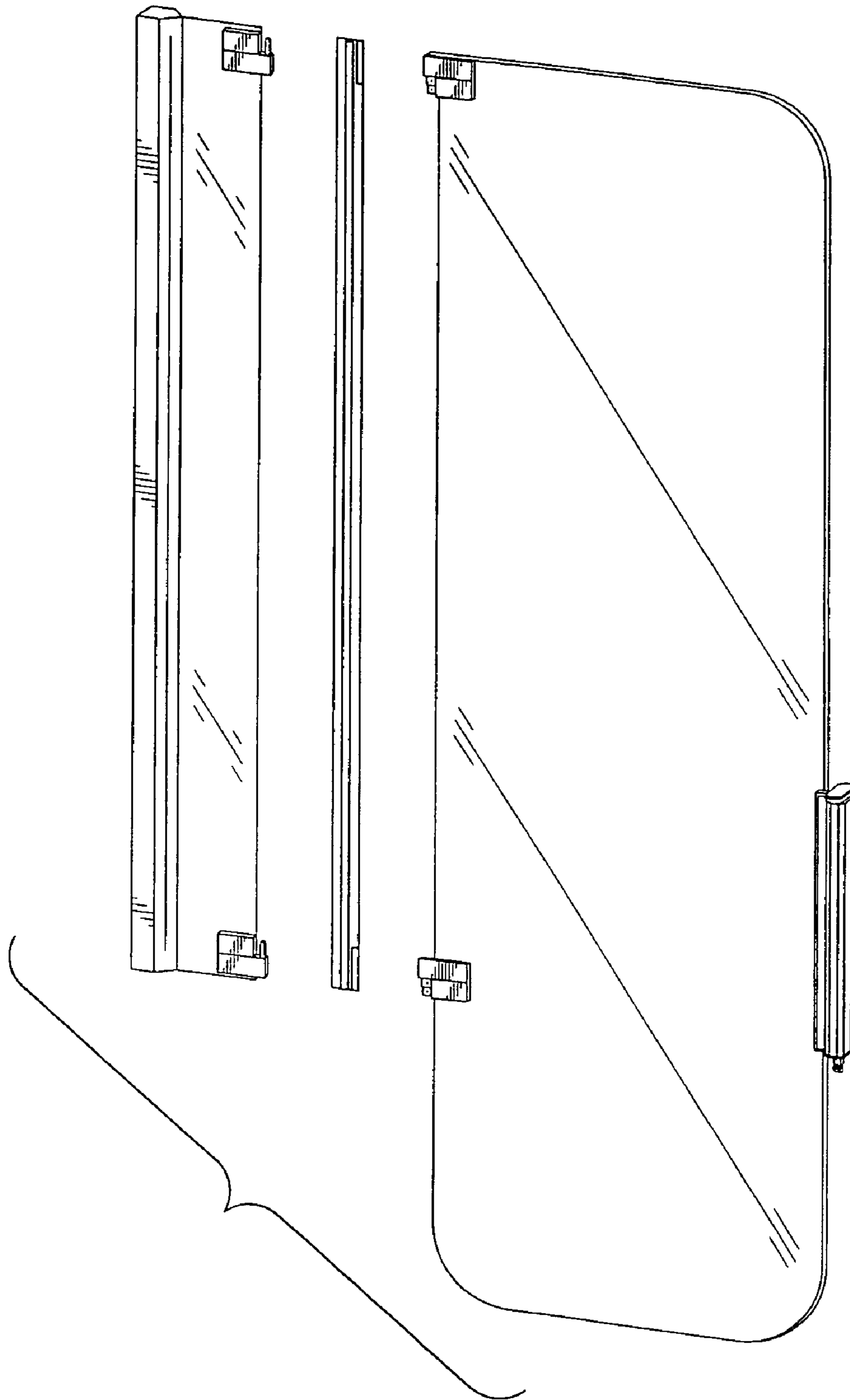


FIG. 5

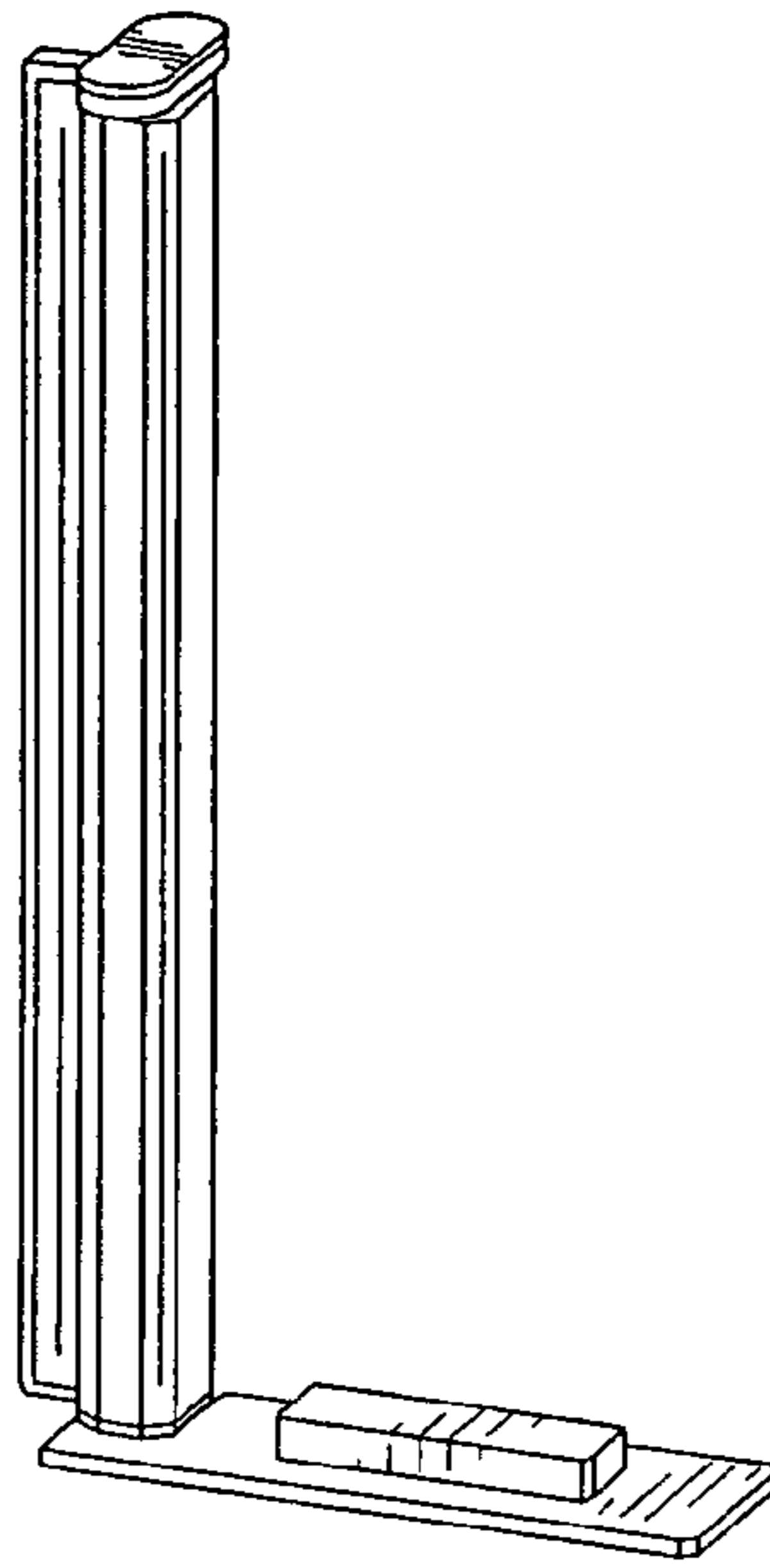


FIG. 6

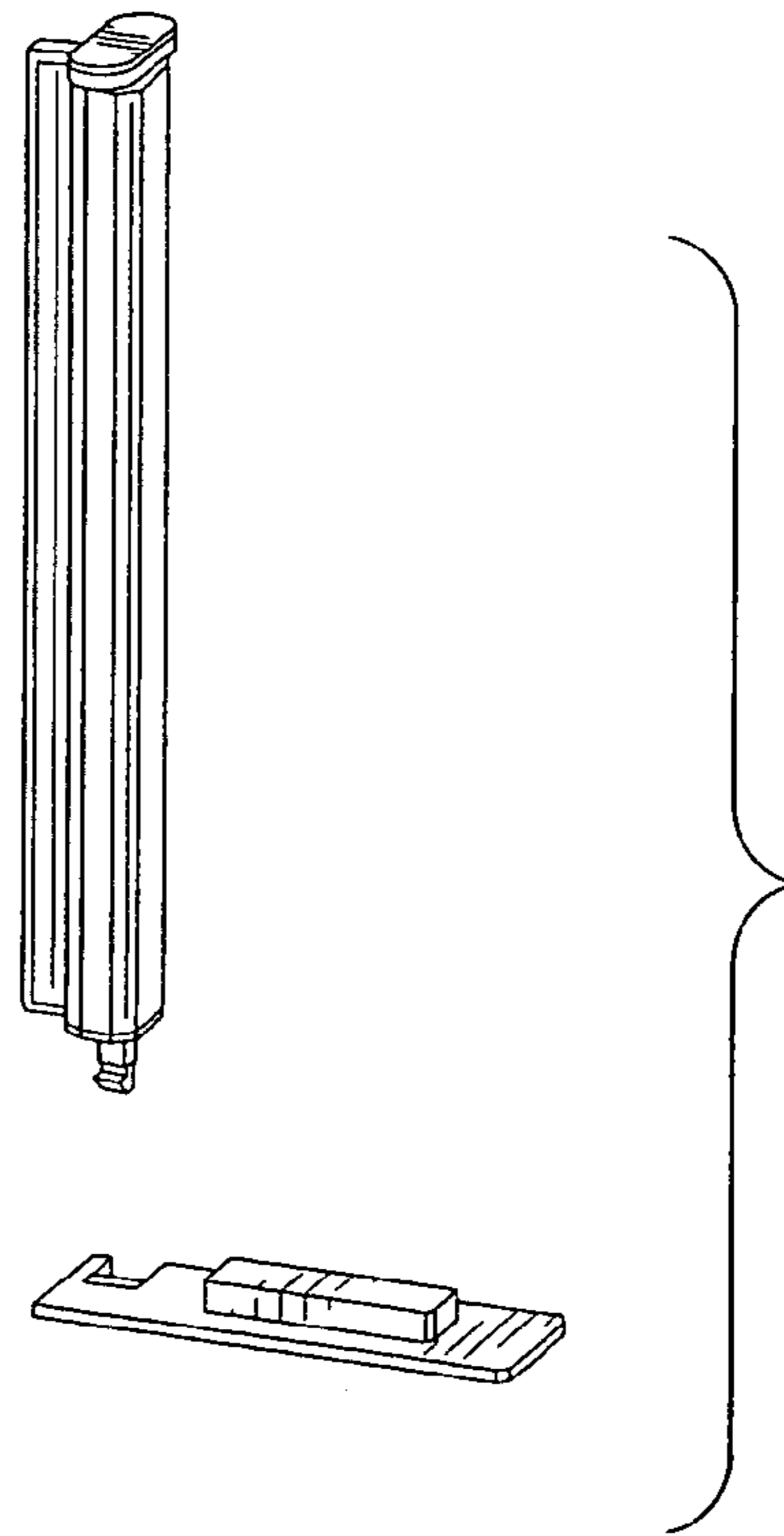


FIG. 7



US00D622363C1

(12) **EX PARTE REEXAMINATION CERTIFICATE** (23rd)
Ex Parte Reexamination Ordered under 35 U.S.C. 257

United States Patent
Zierler

(10) **Number:** **US D622,363 C1**
(45) **Certificate Issued:** **Feb. 5, 2015**

(54) **WALK-IN BATHTUB**

(75) **Inventor:** **Wolfgang Zierler**, Bad Ischl (AT)

(73) **Assignee:** **Artweger GmbH & Co.**, Bad Ischl (AT)

Supplemental Examination Request:
No. 96/030,010, Jun. 5, 2014

Reexamination Certificate for:

Patent No.: **Des. 622,363**
Issued: **Aug. 24, 2010**
Appl. No.: **29/347,001**
Filed: **Aug. 21, 2009**

(30) **Foreign Application Priority Data**

Feb. 25, 2009 (EM) 001095012

(51) **LOC (10) Cl.** **23-02**

(52) **U.S. Cl.**

USPC **D23/279**

(58) **Field of Classification Search**

USPC D23/277, 278, 279, 280.1, 280.3;
D24/204, 205; 4/538, 555, 556, 557,
4/558, 559

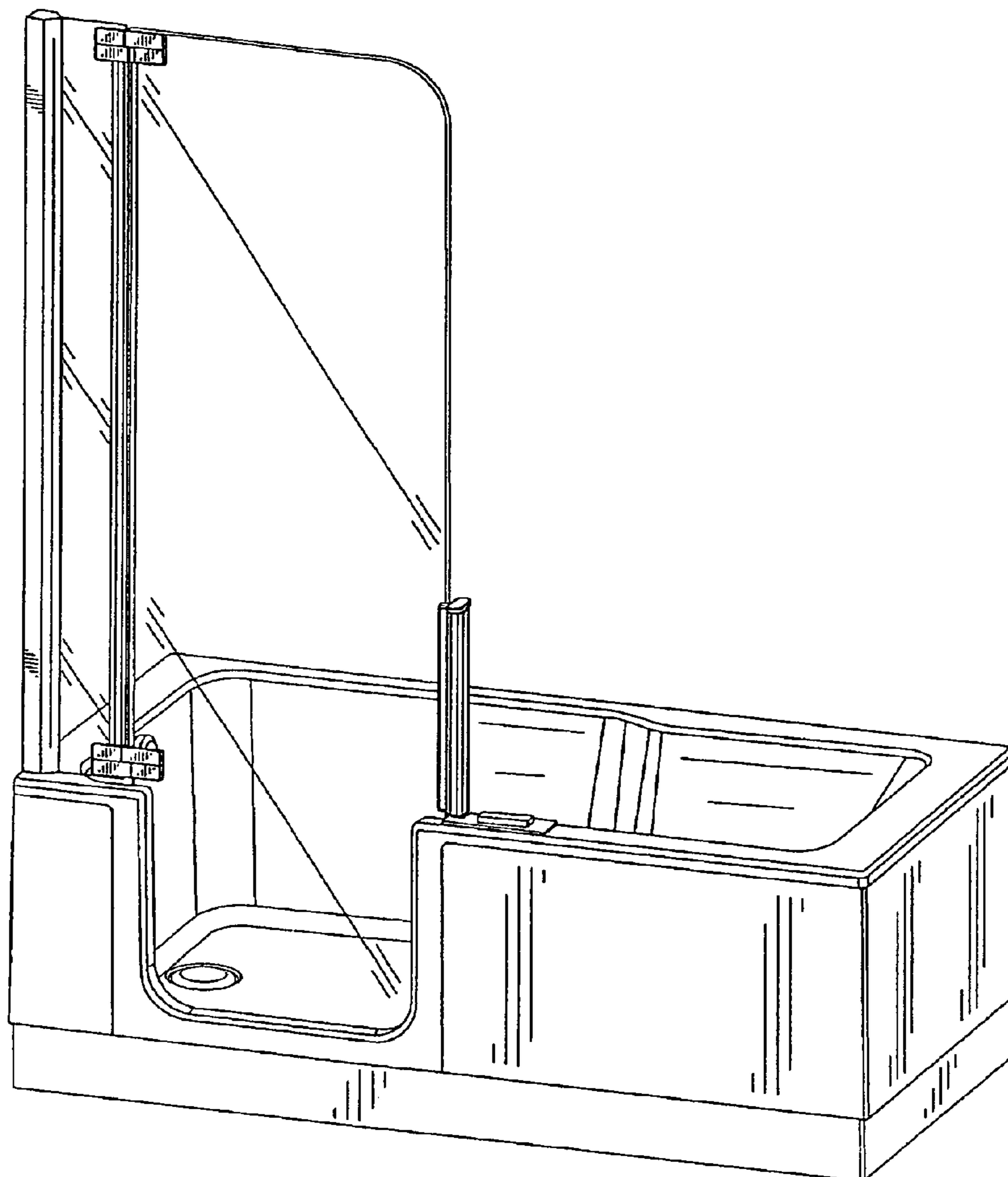
See application file for complete search history.

(56)

References Cited

To view the complete listing of prior art documents cited during the supplemental examination proceeding and the resulting reexamination proceeding for Control Number 96/030,010, please refer to the USPTO's public Patent Application Information Retrieval (PAIR) system under the Display References tab.

Primary Examiner — Phillip S Hyder



1

2

**EX PARTE
REEXAMINATION CERTIFICATE
ISSUED UNDER 35 U.S.C. 307**

5

NO AMENDMENTS HAVE BEEN MADE TO
THE PATENT

AS A RESULT OF REEXAMINATION, IT HAS BEEN
DETERMINED THAT:

10

The patentability of claim 1 is confirmed.

* * * * *