



US00D622359S

(12) **United States Design Patent**  
**Bouroullec et al.**

(10) **Patent No.:** **US D622,359 S**

(45) **Date of Patent:** **\*\* Aug. 24, 2010**

(54) **SHOWER CONTROL**

(75) Inventors: **Erwan Bouroullec**, Paris (FR); **Ronan Bouroullec**, Paris (FR)

(73) Assignee: **Hansgrohe AG**, Schiltach (DE)

(\*\*) Term: **14 Years**

(21) Appl. No.: **29/342,199**

(22) Filed: **Aug. 20, 2009**

(30) **Foreign Application Priority Data**

Jun. 3, 2009 (EM) ..... 001101125-0025

(51) **LOC (9) Cl.** ..... **23-01**

(52) **U.S. Cl.** ..... **D23/254**

(58) **Field of Classification Search** ..... D23/238–243,  
D23/250, 252, 254; 4/676–677; D8/350–353,  
D8/308; 137/350–353

See application file for complete search history.

(56) **References Cited**

**U.S. PATENT DOCUMENTS**

D523,936 S \* 6/2006 Schaffeld et al. .... D23/252  
D540,919 S \* 4/2007 Soriano ..... D23/249  
D542,384 S \* 5/2007 Starek ..... D23/254  
D597,180 S \* 7/2009 Starek ..... D23/254

**OTHER PUBLICATIONS**

Brochure—Rubinetteria FROMAC, 3 pgs., Rubinetteria FROMAC,  
Brescia, Italy (at least as early as Mar. 2, 2004).

Brochure—Gulliver, 3 pgs., Carlo Nobili S.p.A. Rubinetteria,  
Borgomanero (NO), Italy (at least as early as Oct. 2, 2007).

Brochure—Free Sensation, 3 pgs., Art Design, Varallo Sesia (VC),  
Italy (at least as early as Sep. 30, 2008).

Brochure—The Collections, 3 pgs., Fir Rubinetteria S.p.A., Vaprio  
D’Agogna (NO), Italy (at least as early as Sep. 27, 2005).

\* cited by examiner

*Primary Examiner*—Robert A Delehanty

(74) *Attorney, Agent, or Firm*—Nirav D. Parikh; Edgar A.  
Zarins

(57) **CLAIM**

The ornamental design for a shower control, as shown and  
described.

**DESCRIPTION**

FIG. 1 is a perspective view of a shower control showing our  
design;

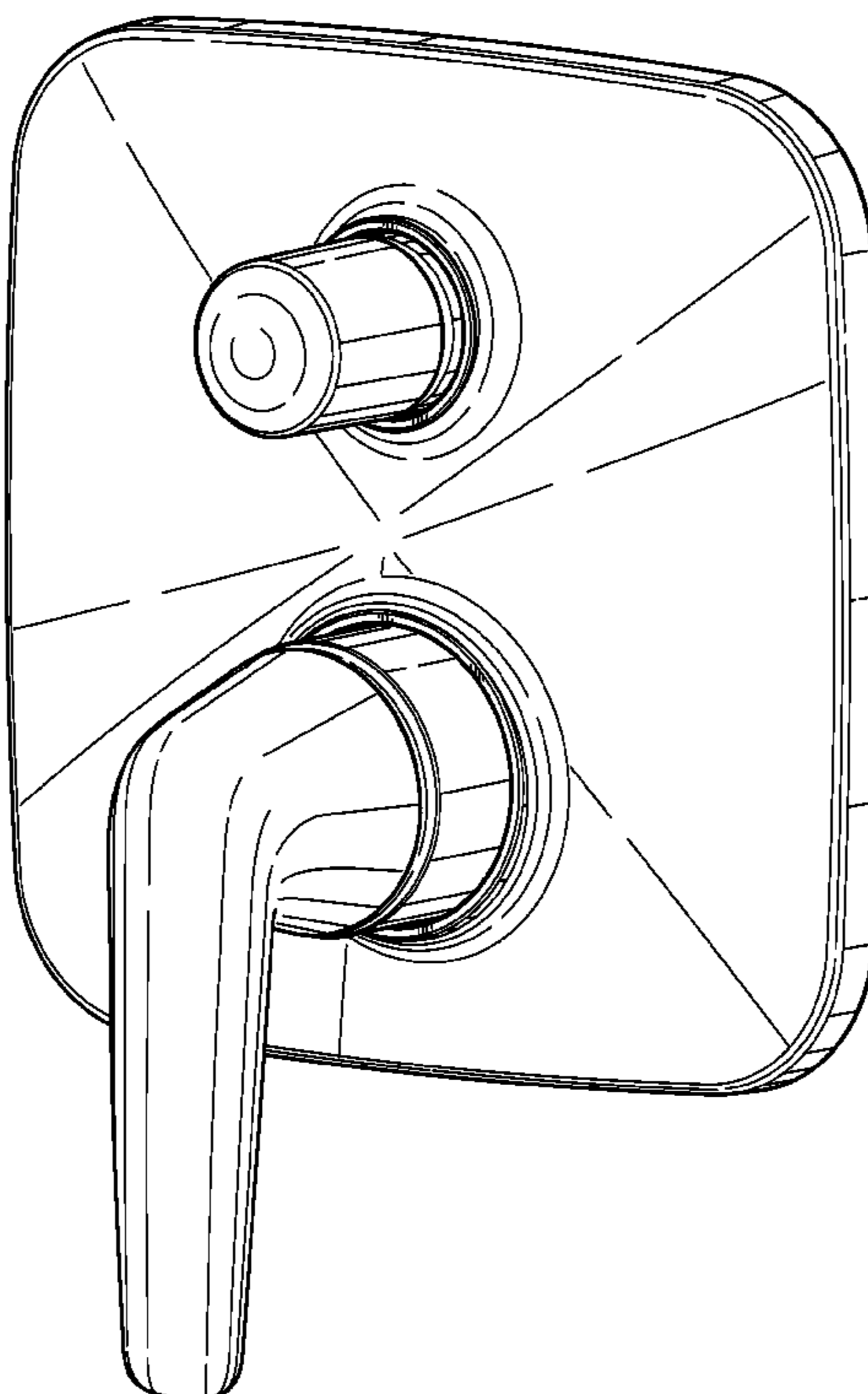
FIG. 2 is a front elevational view thereof;

FIG. 3 is a left side elevational view thereof; the right side  
elevational view being a mirror image thereof;

FIG. 4 is a bottom plan view thereof; and,

FIG. 5 is a top plan view thereof.

**1 Claim, 5 Drawing Sheets**



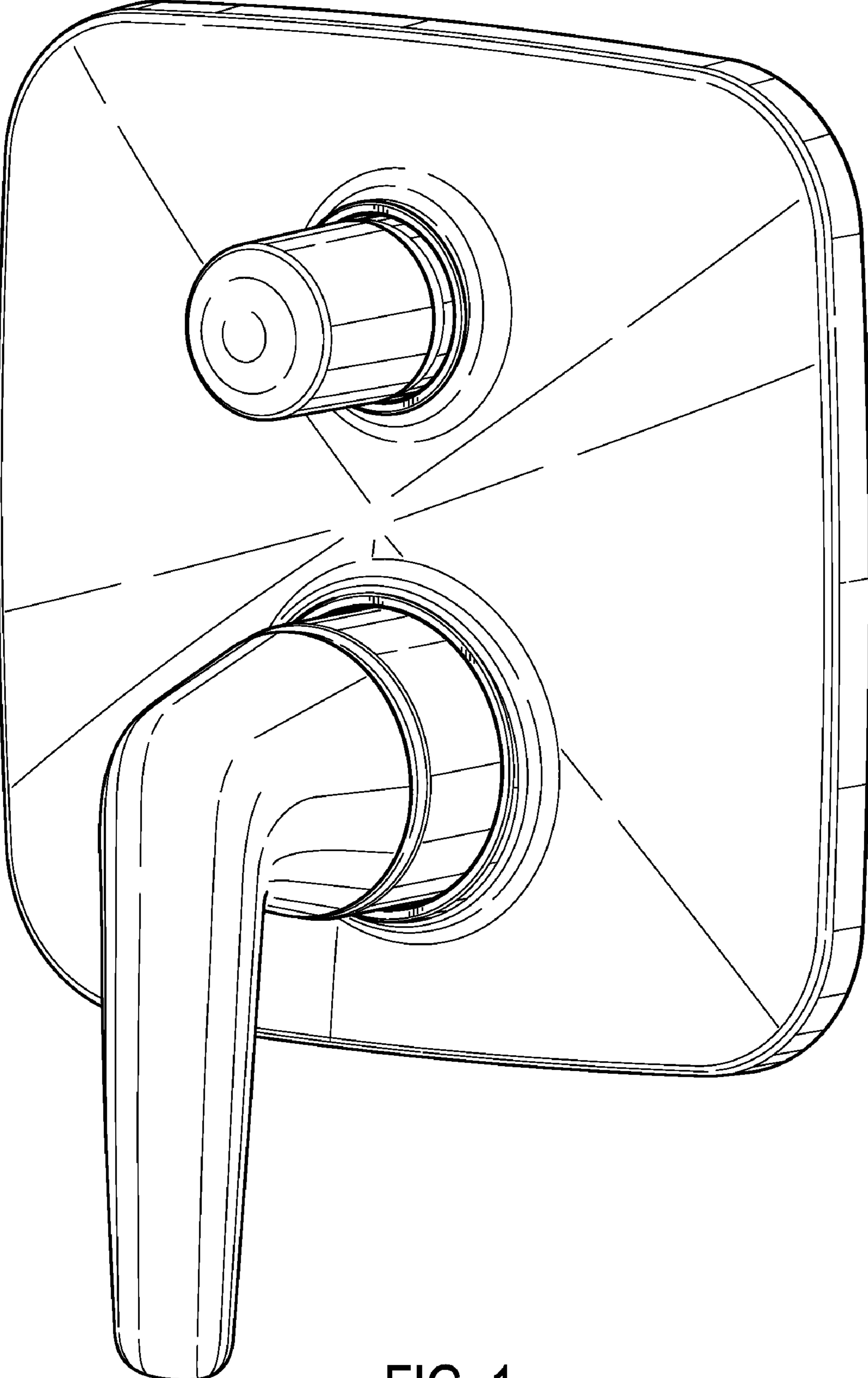


FIG. 1

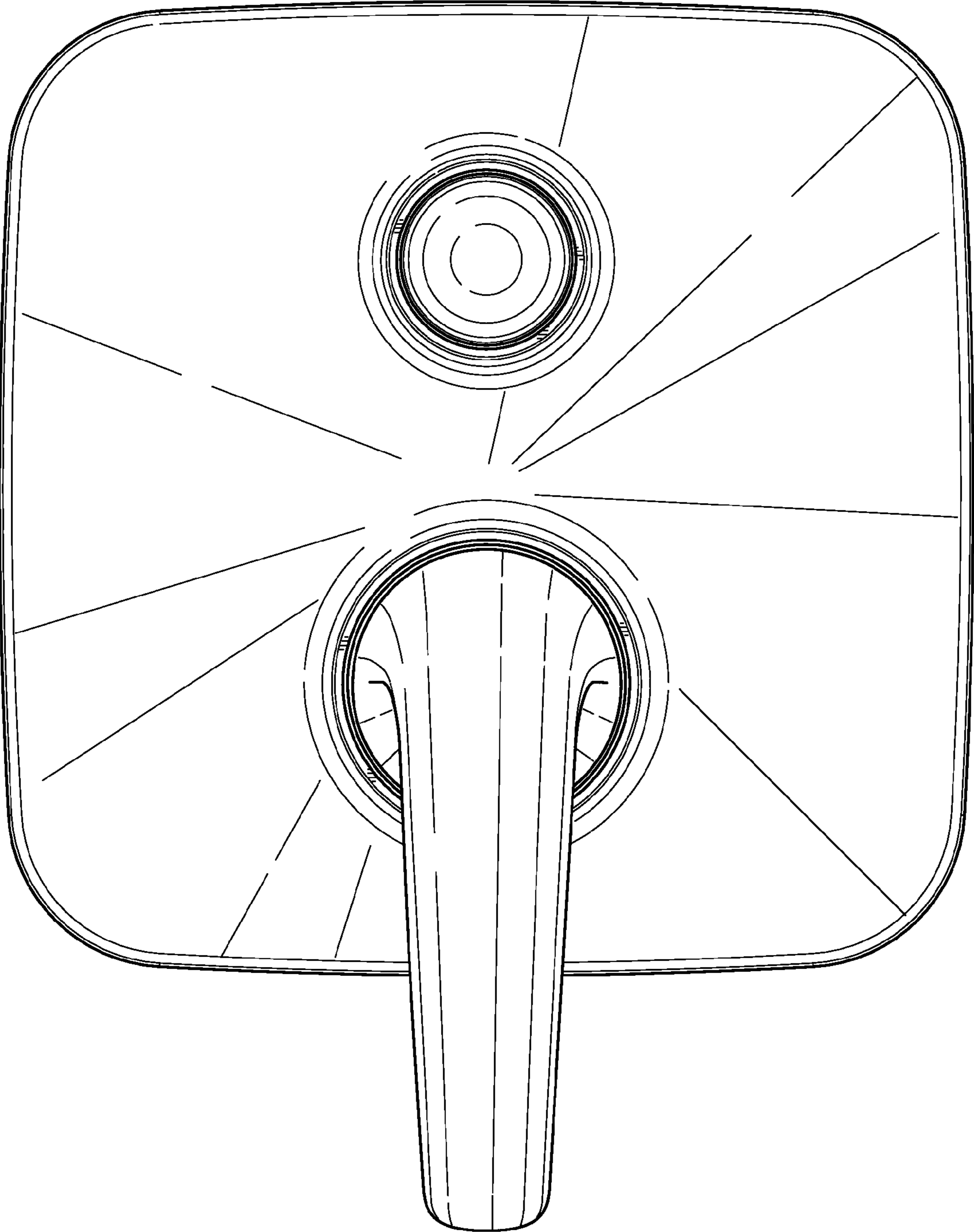


FIG. 2

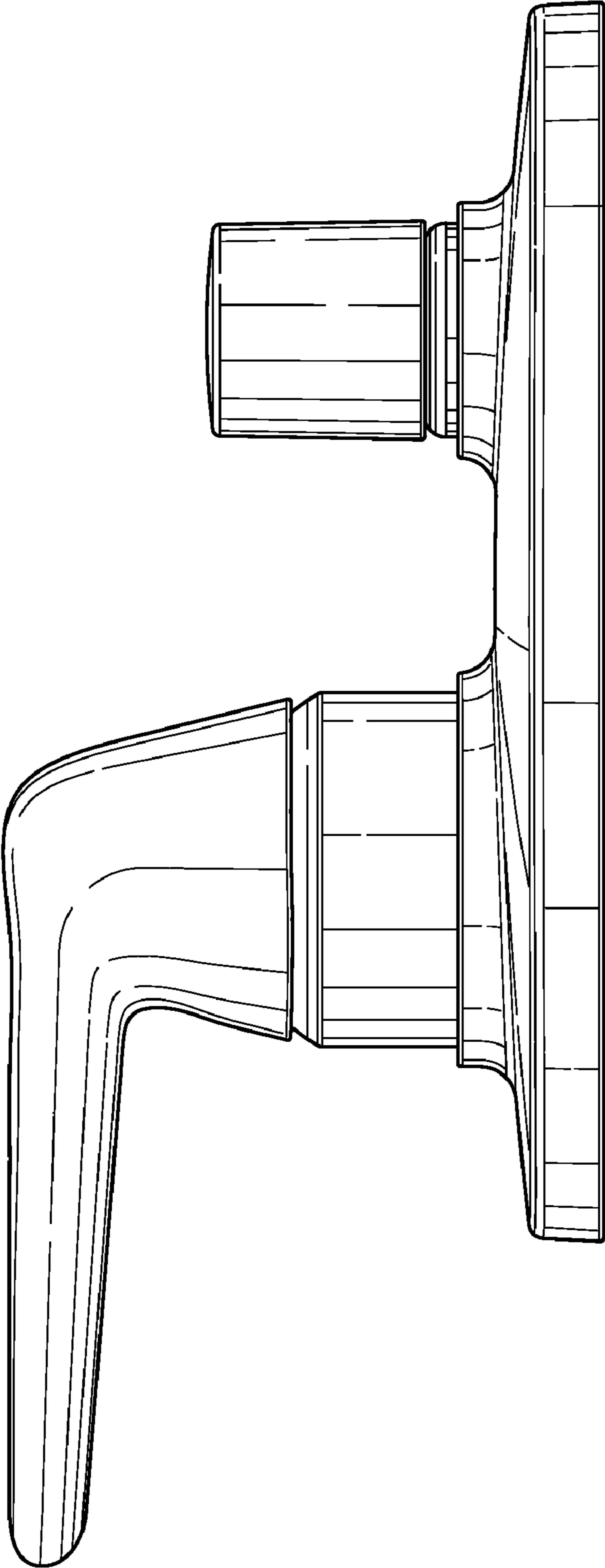


FIG. 3

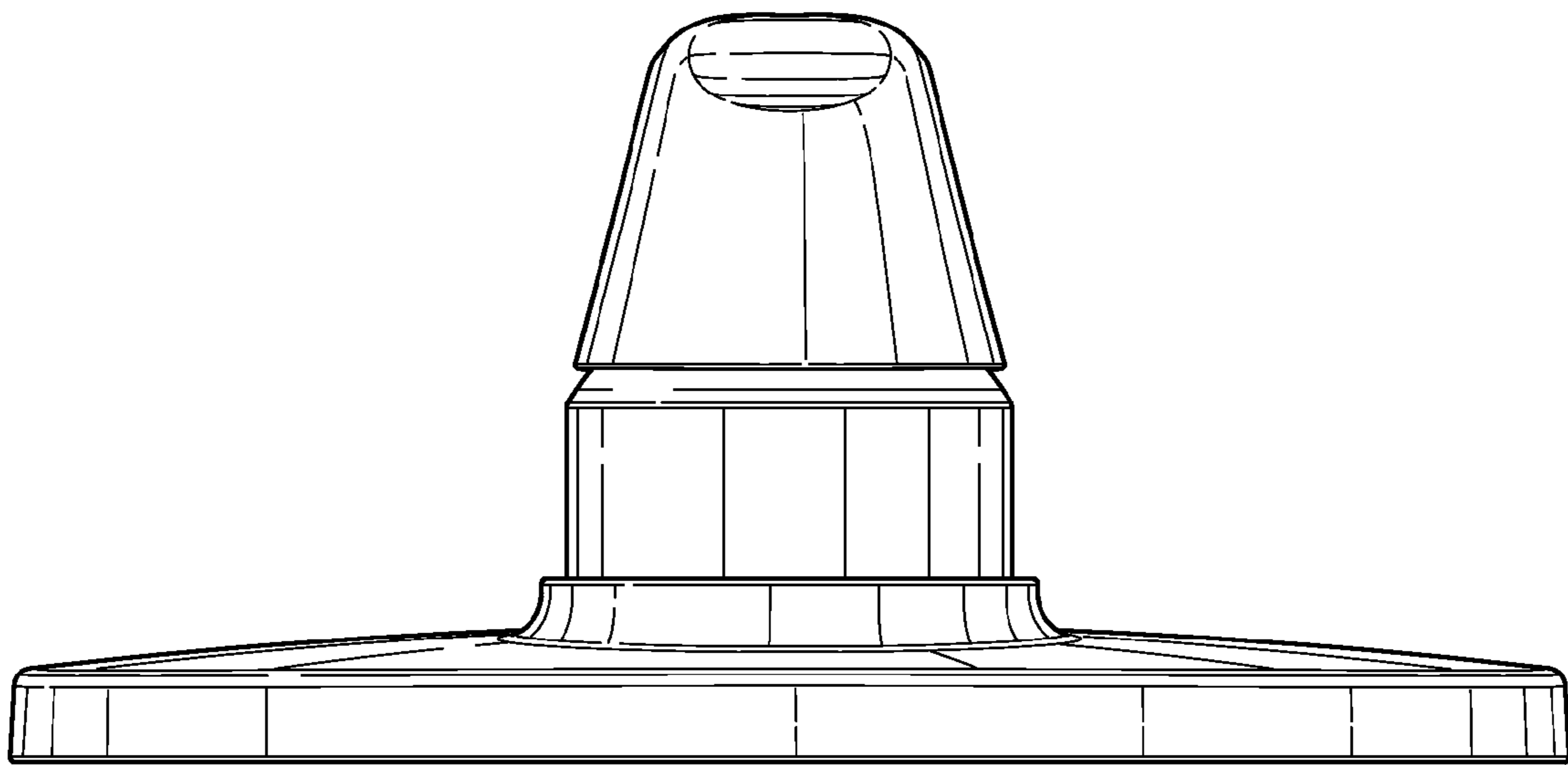


FIG. 4

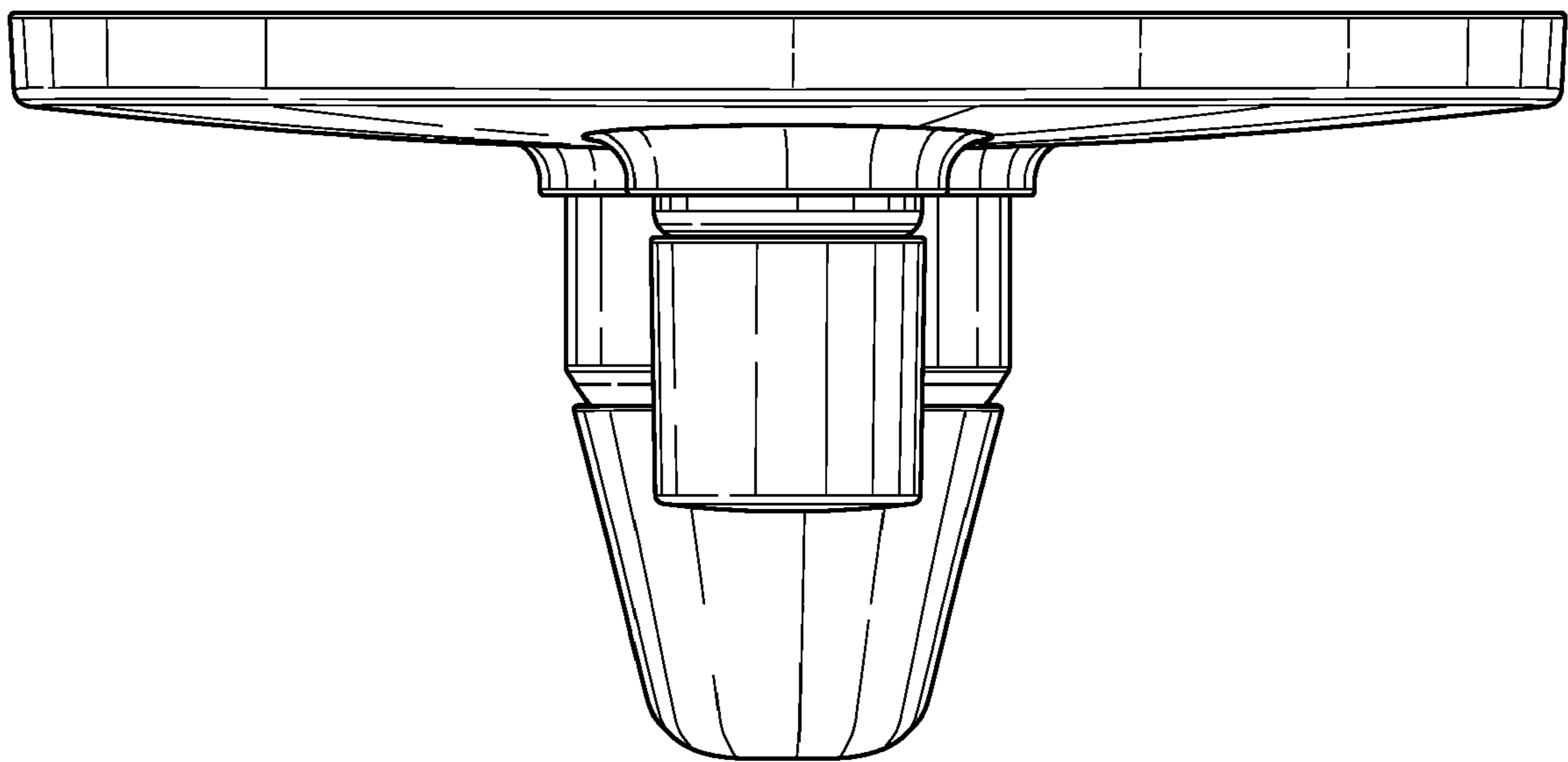


FIG. 5