



US00D622353S

(12) **United States Design Patent**  
**Cummings et al.**

(10) **Patent No.:** **US D622,353 S**

(45) **Date of Patent:** **\*\* Aug. 24, 2010**

(54) **MIXER TAP**

(75) Inventors: **Stephen John Cummings**, Newport (AU); **David Giorgio**, Five Dock (AU)

(73) Assignee: **Caroma Industries Limited**, Brisbane (AU)

(\*\*) Term: **14 Years**

(21) Appl. No.: **29/328,323**

(22) Filed: **Nov. 21, 2008**

(30) **Foreign Application Priority Data**

May 28, 2008	(AU)	.....	12594/2008
Nov. 12, 2008	(AU)	.....	15340/2008
Nov. 12, 2008	(AU)	.....	15343/2008
Nov. 12, 2008	(AU)	.....	15345/2008

(51) **LOC (9) Cl.** ..... **23-01**

(52) **U.S. Cl.** ..... **D23/238**

(58) **Field of Classification Search** ..... D23/200,  
D23/238-257; D6/512, 546, 550; D8/300,  
D8/307-308, 310-312, 321; 4/675-678;  
137/801; 16/110.1, 441  
See application file for complete search history.

(56) **References Cited**

**U.S. PATENT DOCUMENTS**

D224,403 S *	7/1972	Larkin	.....	D23/238
D265,231 S *	6/1982	Paul	.....	D23/241
D266,104 S *	9/1982	Johnson	.....	D23/241
D271,704 S *	12/1983	Paul	.....	D23/238
D292,430 S *	10/1987	Enthoven	.....	D23/241
D509,565 S *	9/2005	Starck	.....	D23/238
D510,611 S *	10/2005	Jorgensen et al.	.....	D23/238

(Continued)

**FOREIGN PATENT DOCUMENTS**

AU 12592/2008 5/2008

AU	12595/2008	5/2008
AU	15344/2008	11/2008
AU	15347/2008	11/2008

*Primary Examiner*—T. Chase Nelson

*Assistant Examiner*—Mark Cavanna

(74) *Attorney, Agent, or Firm*—Dascenzo Intellectual Property Law, P.C.

(57) **CLAIM**

We claim the ornamental design for a mixer tap, as shown and described.

**DESCRIPTION**

FIG. 1 is an isometric front view the first embodiment of a mixer tap showing our new design;

FIG. 2 is an isometric rear view thereof;

FIG. 3 is a front view thereof;

FIG. 4 is a rear view thereof;

FIG. 5 is a right side view thereof;

FIG. 6 is a left side view thereof;

FIG. 7 is a top view thereof;

FIG. 8 is a bottom view thereof;

FIG. 9 is an isometric front view of the second embodiment of a mixer tap;

FIG. 10 is an isometric rear view thereof;

FIG. 11 is a front view thereof;

FIG. 12 is a rear view thereof;

FIG. 13 is a right side view thereof;

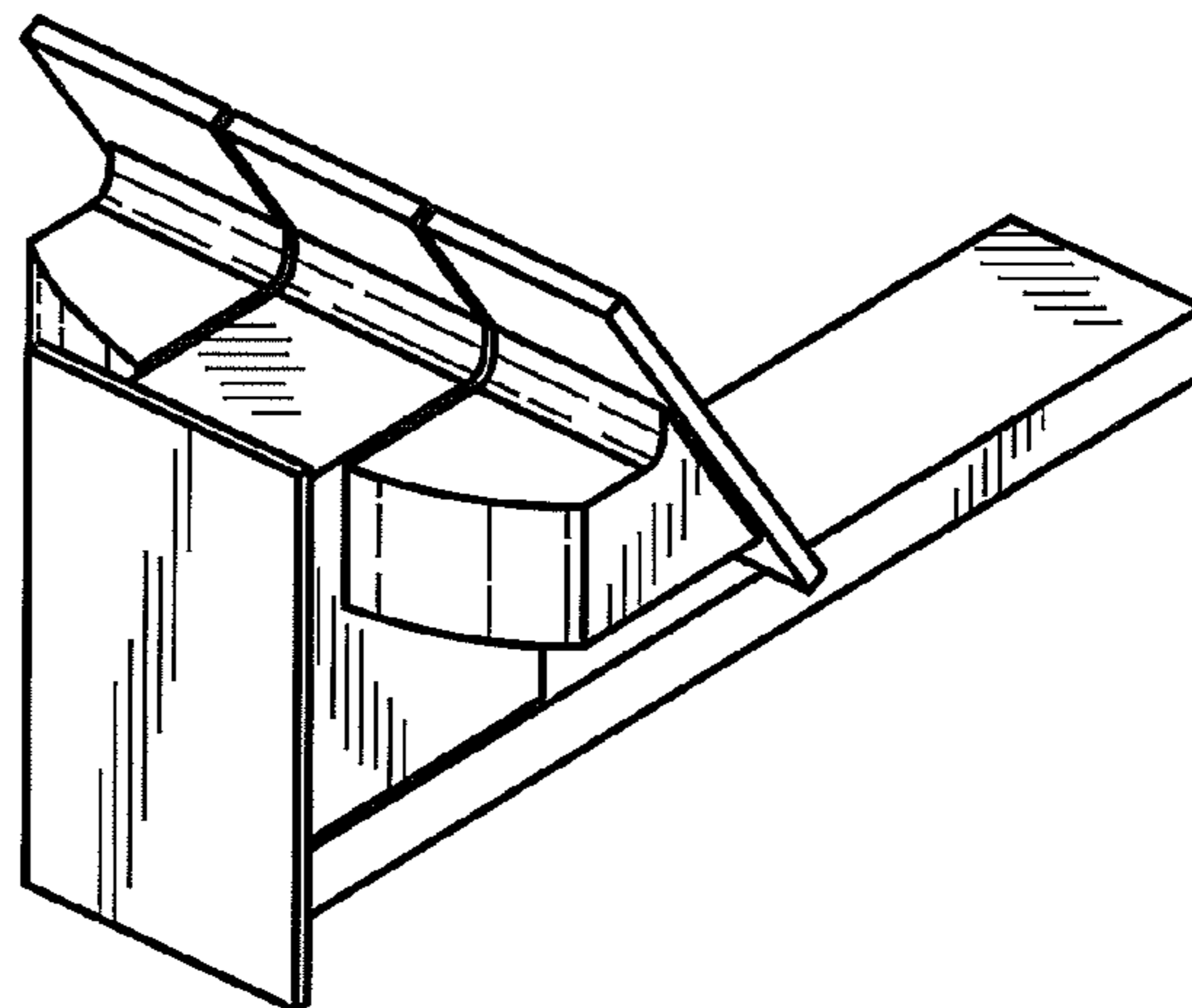
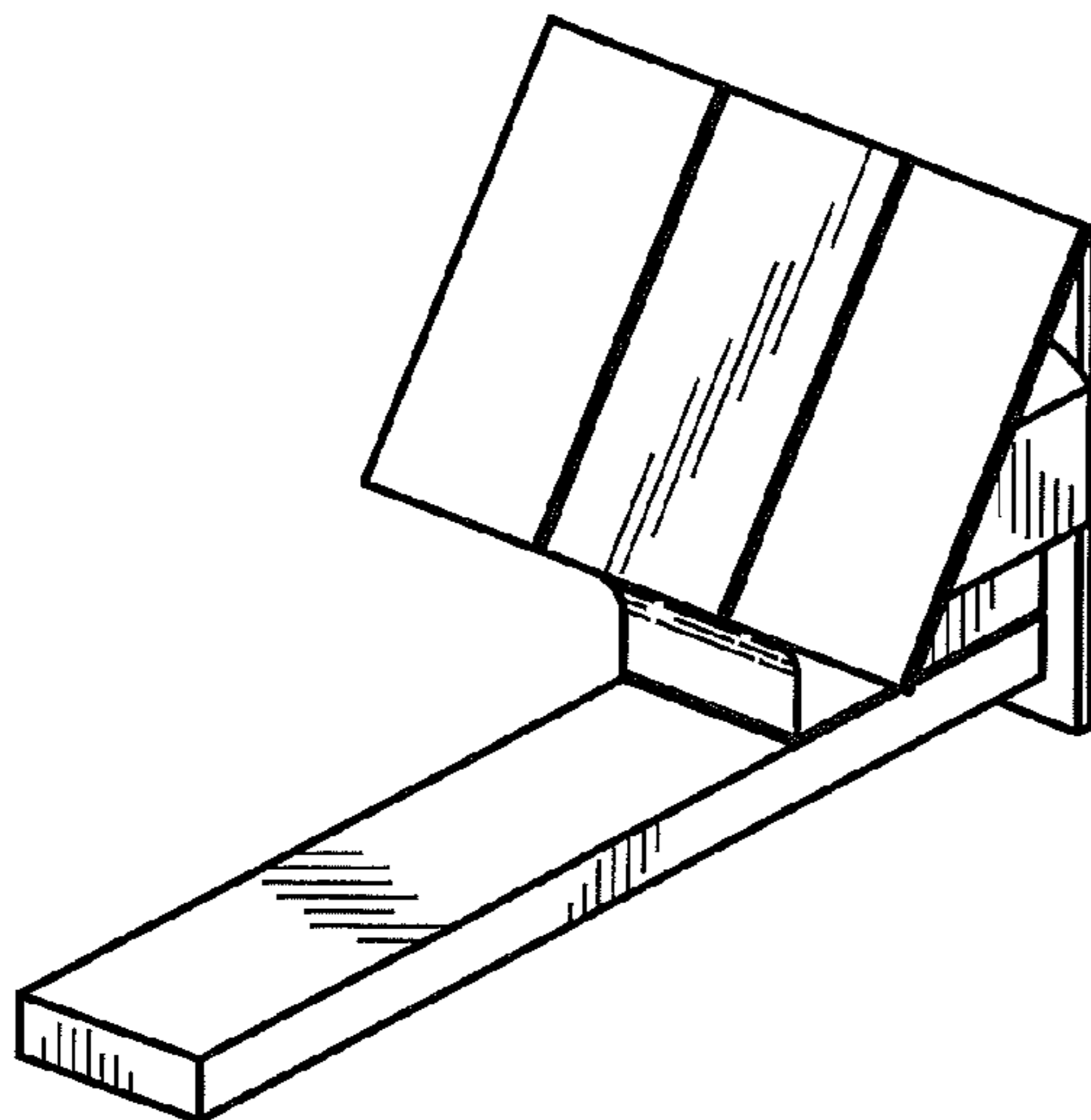
FIG. 14 is a left side view thereof;

FIG. 15 is a top view thereof; and,

FIG. 16 is a bottom view thereof.

The broken lines shown are included for the purpose of illustrating a portion of the mixer tap that forms no part of the claimed design.

**1 Claim, 4 Drawing Sheets**



# US D622,353 S

Page 2

---

## U.S. PATENT DOCUMENTS

D511,201 S *	11/2005	Kulig et al. ....	D23/238	D540,912 S *	4/2007	Qing .....	D23/238
D513,059 S *	12/2005	Pauls .....	D23/238	D541,906 S *	5/2007	Qing .....	D23/238
D517,169 S *	3/2006	Ogata et al. ....	D23/238	D548,308 S *	8/2007	Hoernig .....	D23/238
D528,637 S *	9/2006	Massaud .....	D23/238	D579,521 S *	10/2008	Kulig .....	D23/238
D529,133 S *	9/2006	Massaud .....	D23/238	D580,024 S *	11/2008	Gilbert .....	D23/255
D529,134 S *	9/2006	Massaud .....	D23/238	D580,524 S *	11/2008	Starck .....	D23/254
D529,994 S *	10/2006	Kulig .....	D23/238	D589,119 S *	3/2009	Oh .....	D23/238
D534,619 S *	1/2007	Garner .....	D23/238	D590,050 S *	4/2009	Miyamoto .....	D23/255
D534,989 S *	1/2007	Massaud .....	D23/238	D596,711 S *	7/2009	Sieger .....	D23/238
D536,423 S *	2/2007	Zetsche .....	D23/238	D602,121 S *	10/2009	Yabe et al. ....	D23/238
D536,767 S *	2/2007	Massaud .....	D23/238				

\* cited by examiner

Fig. 1

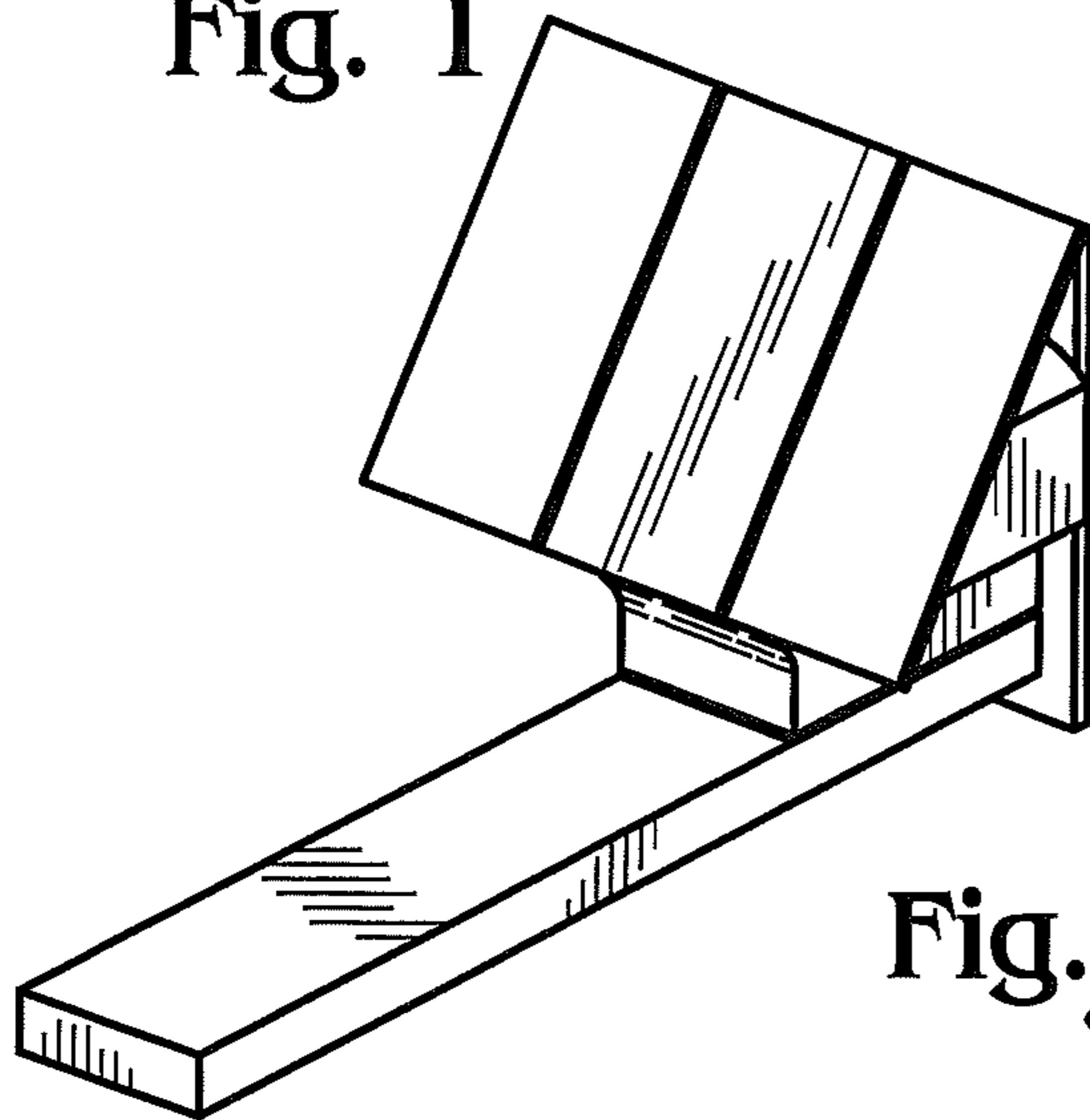


Fig. 2

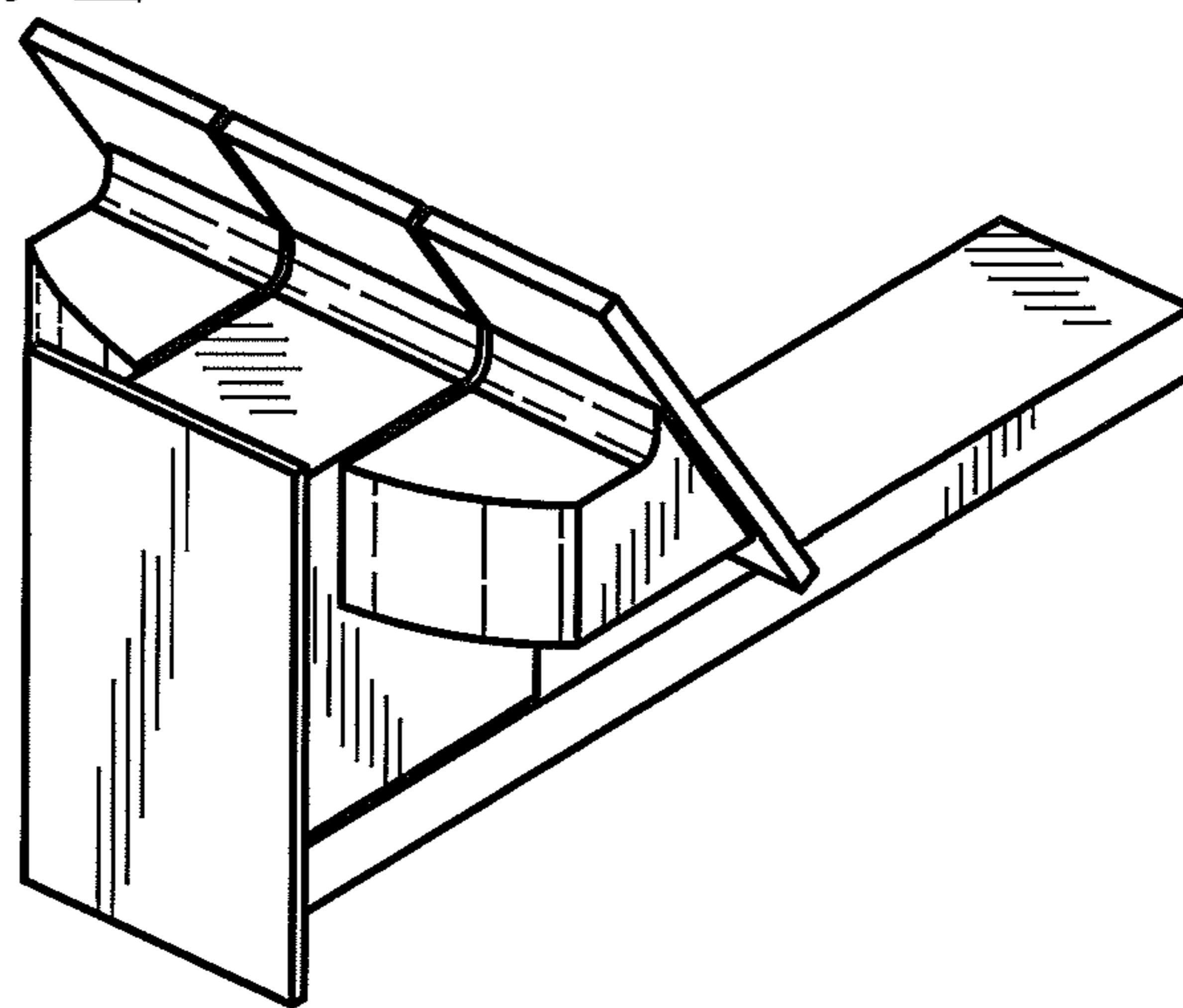


Fig. 3

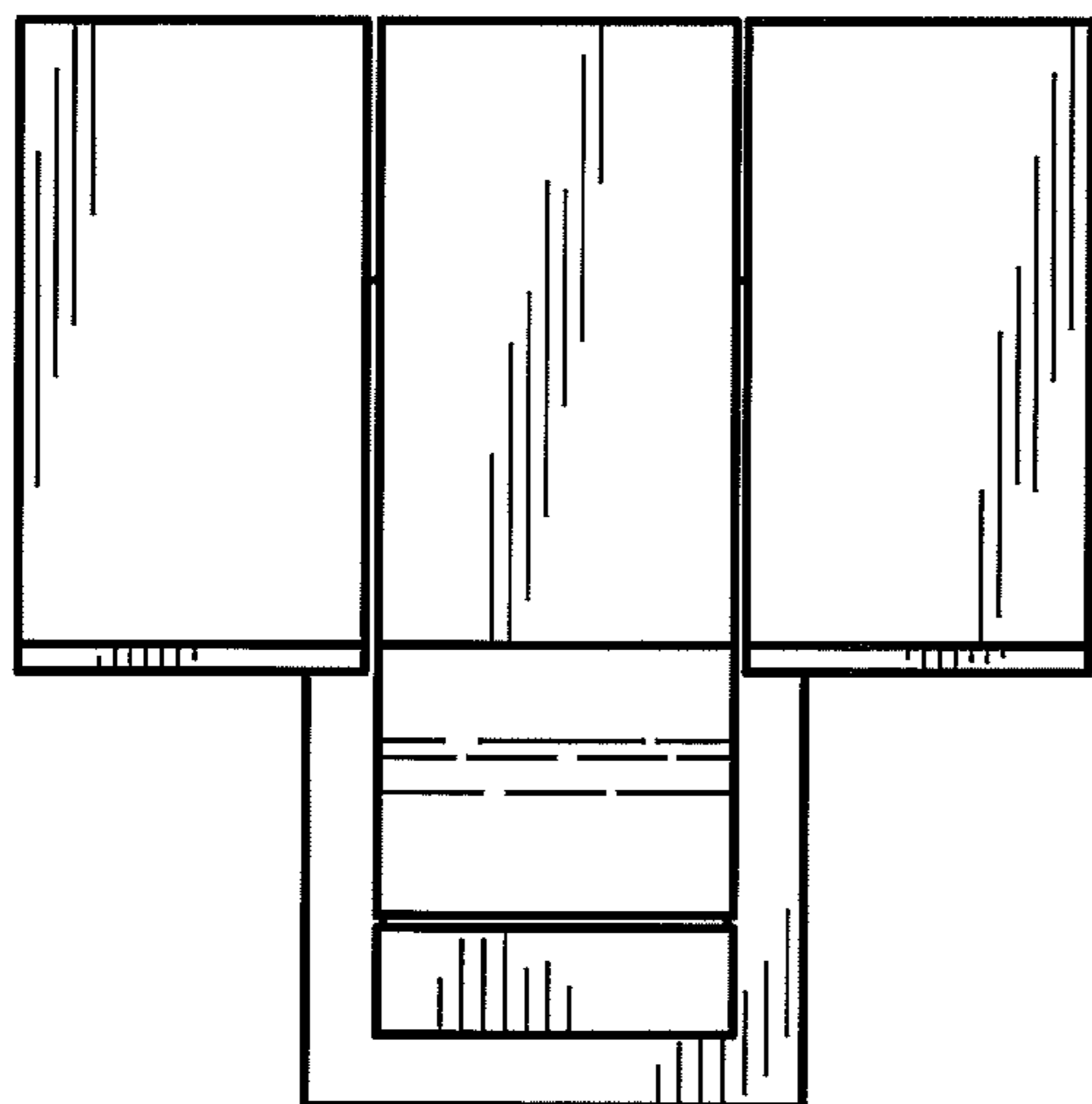
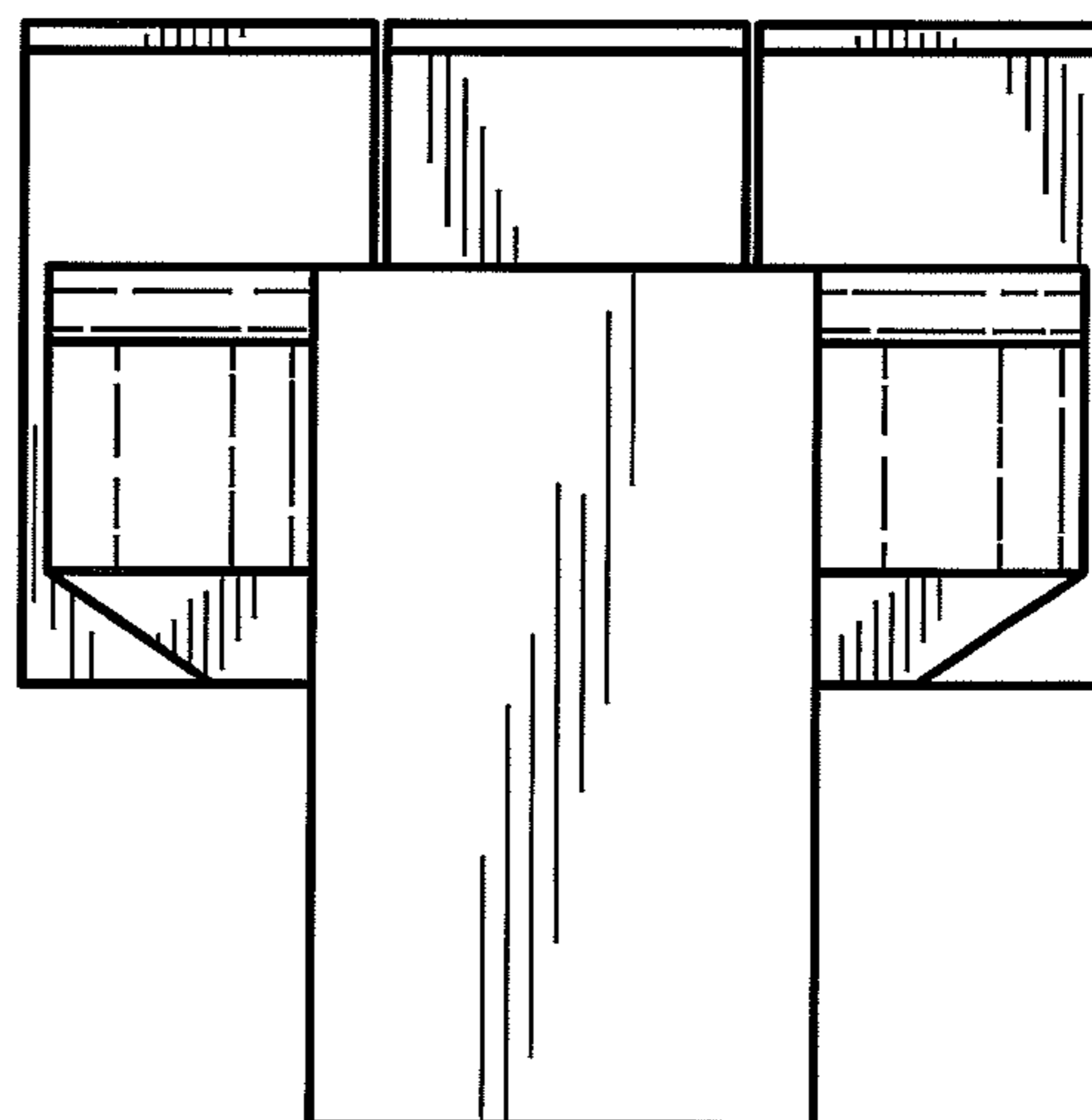


Fig. 4



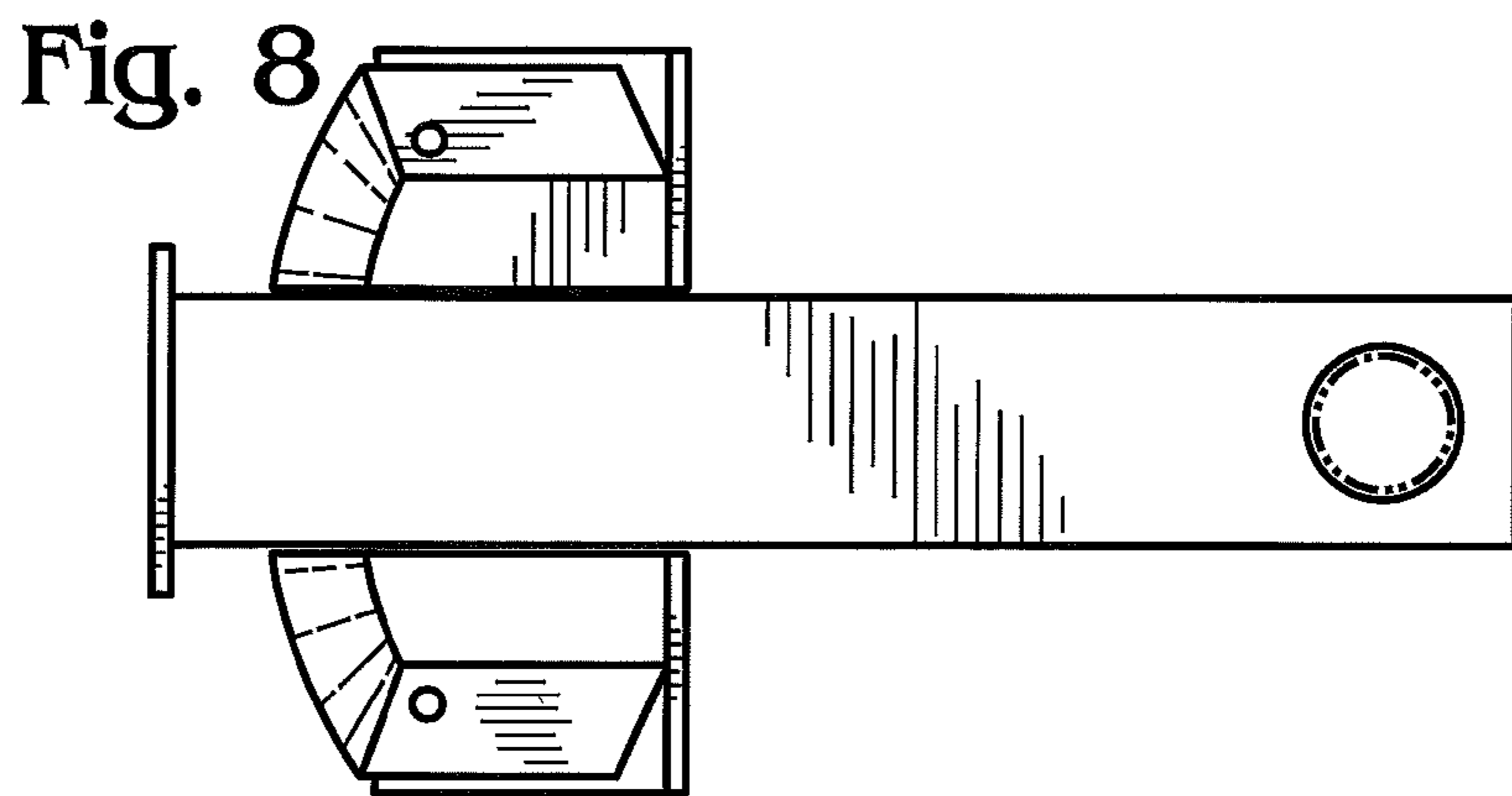
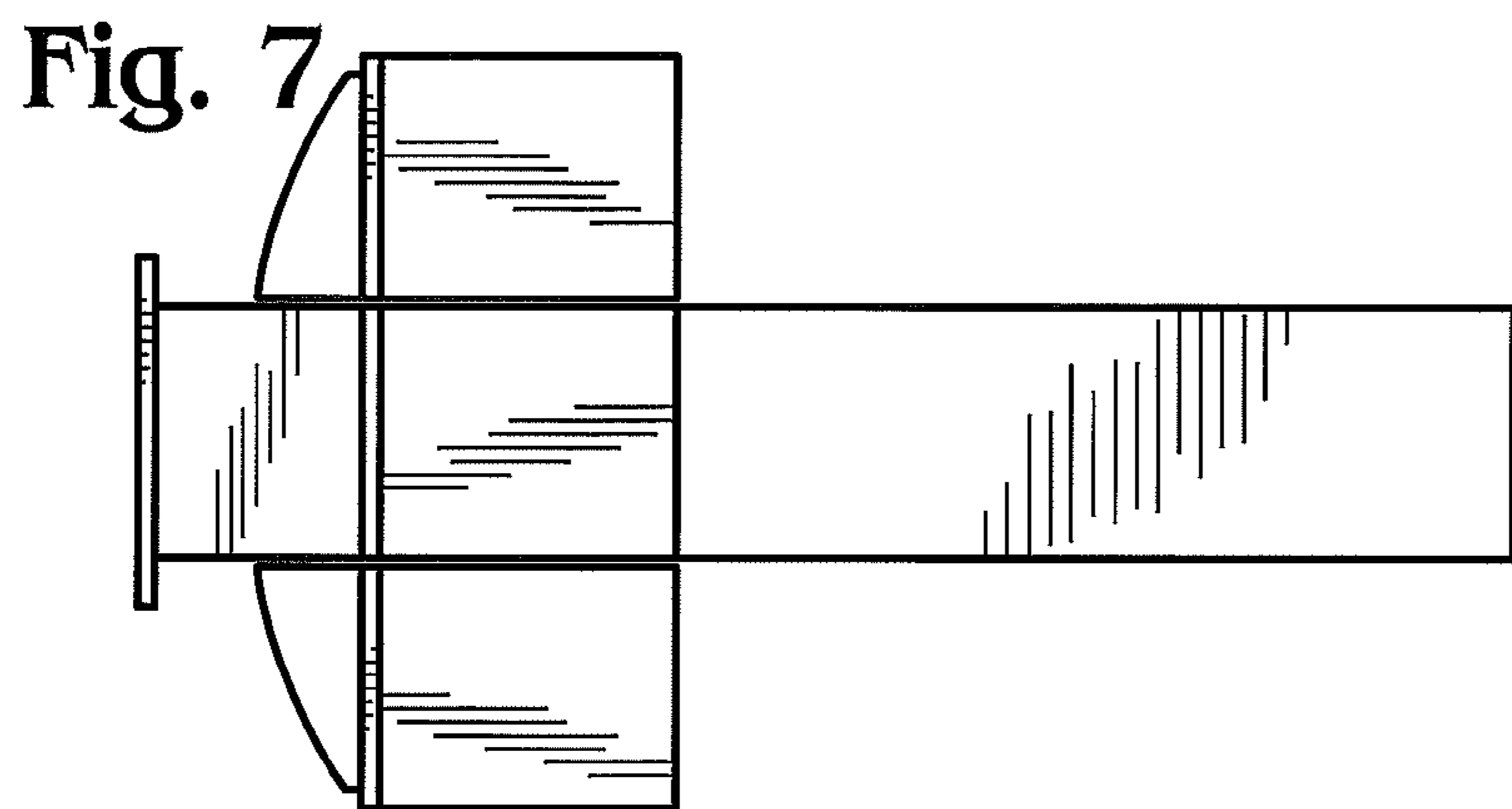
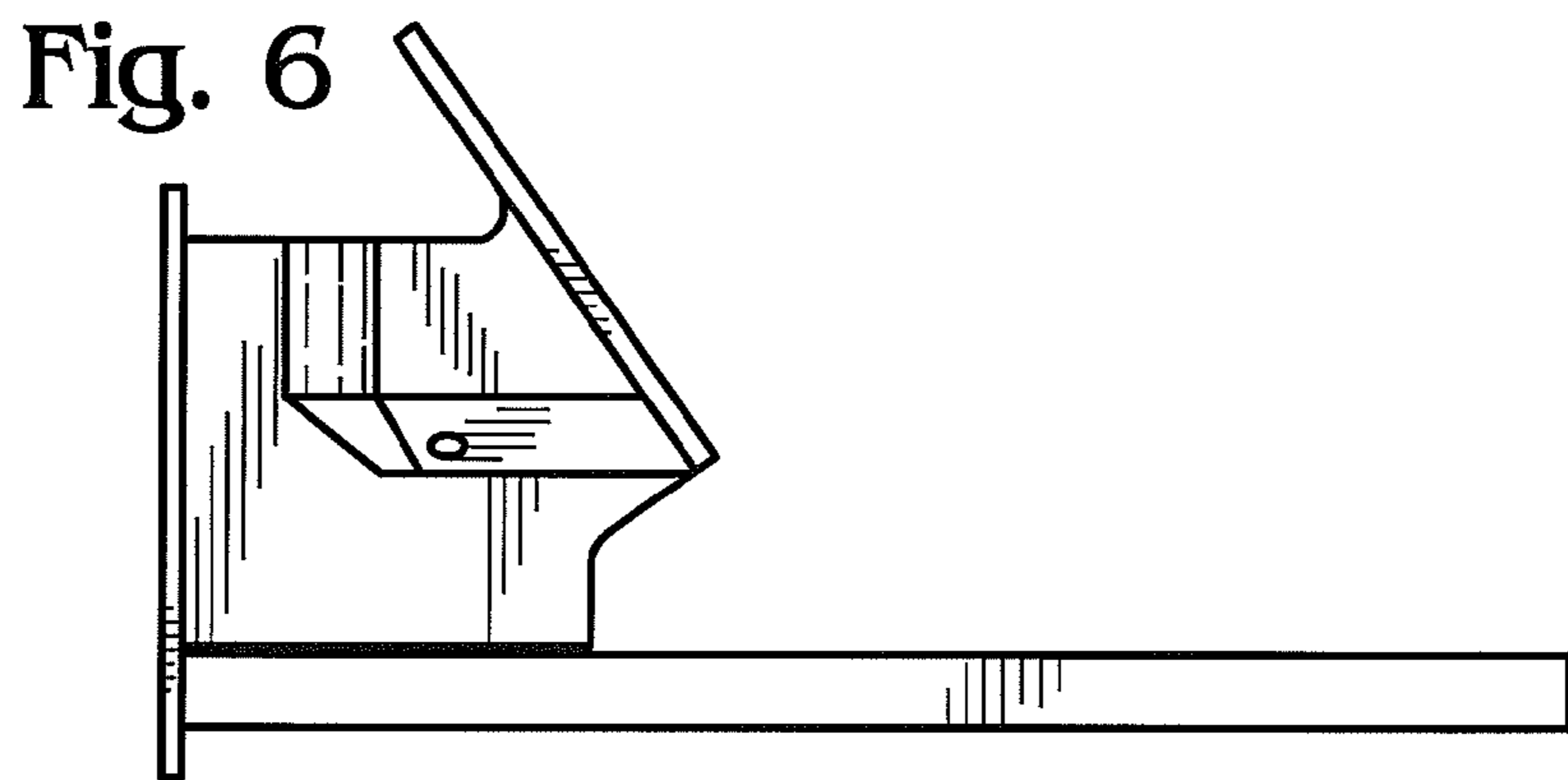
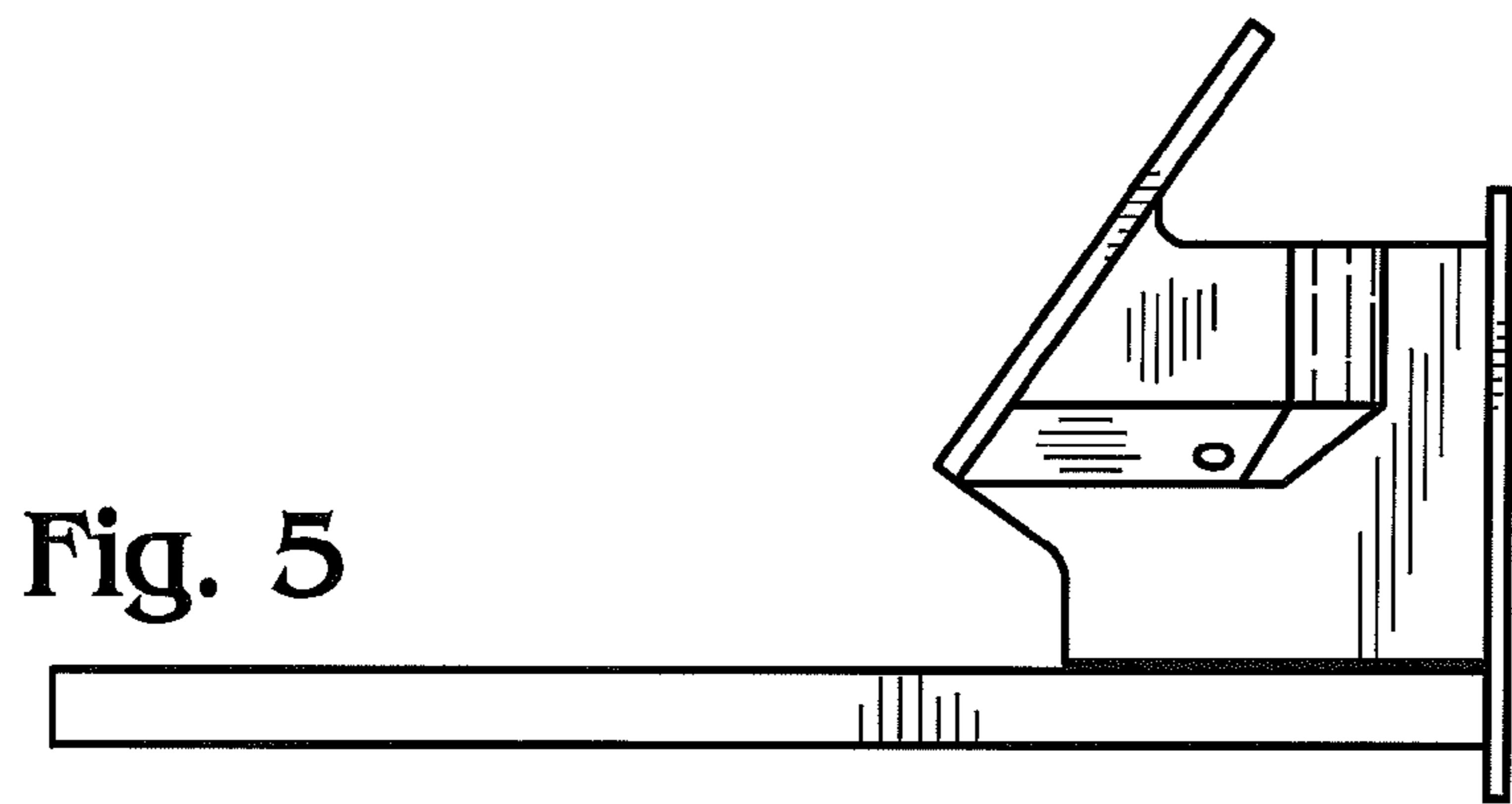


Fig. 9

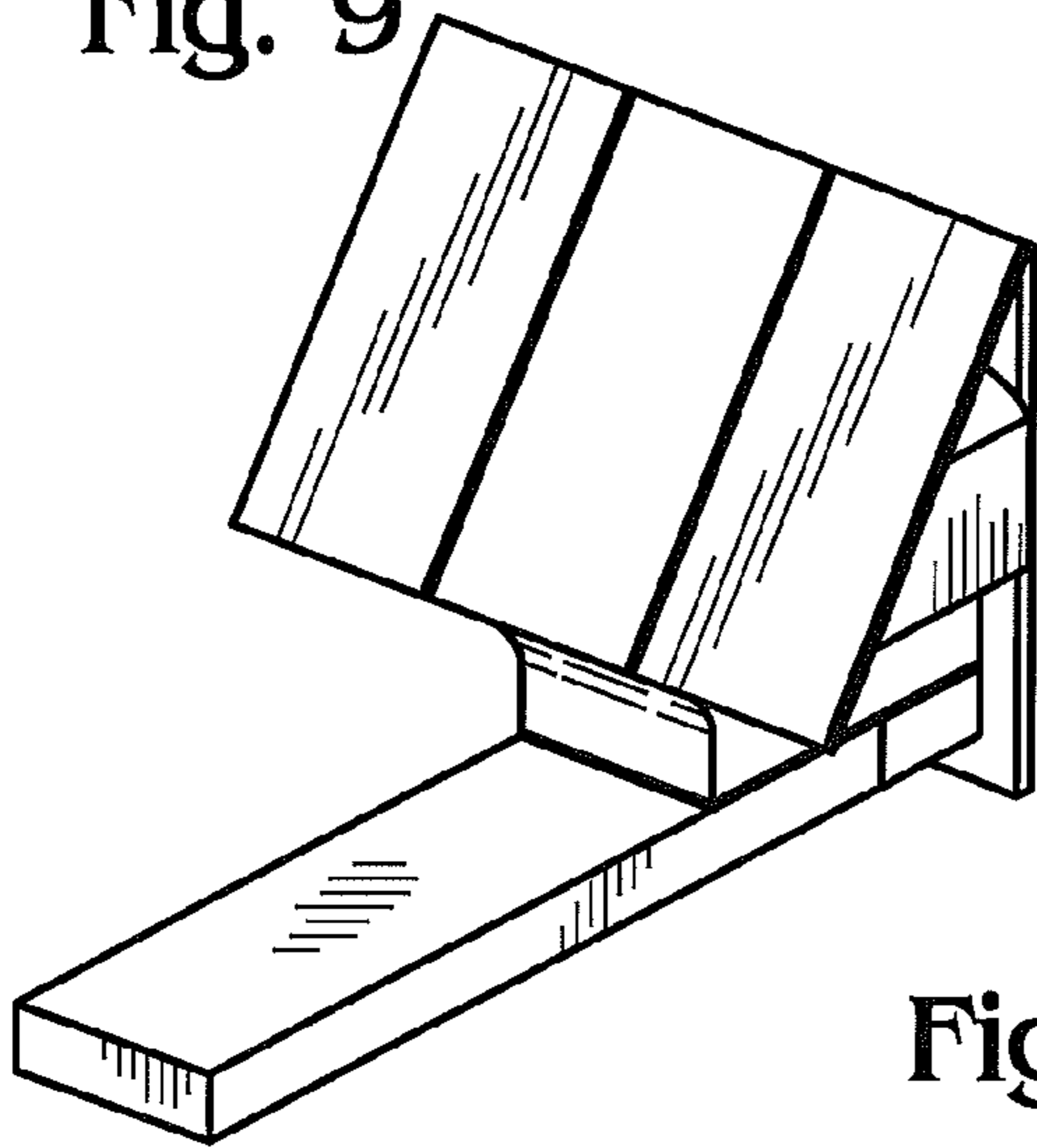


Fig. 10

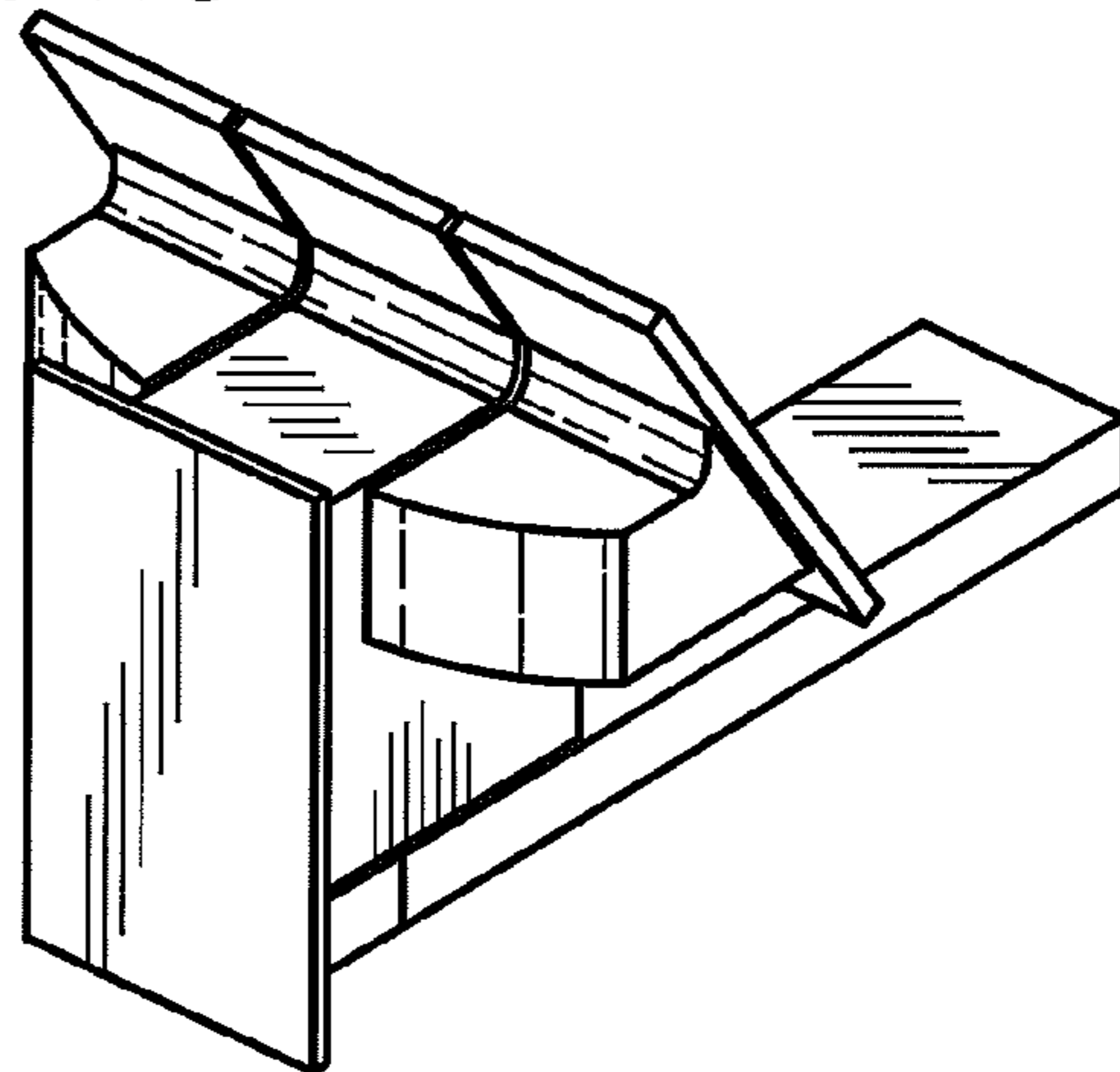


Fig. 11

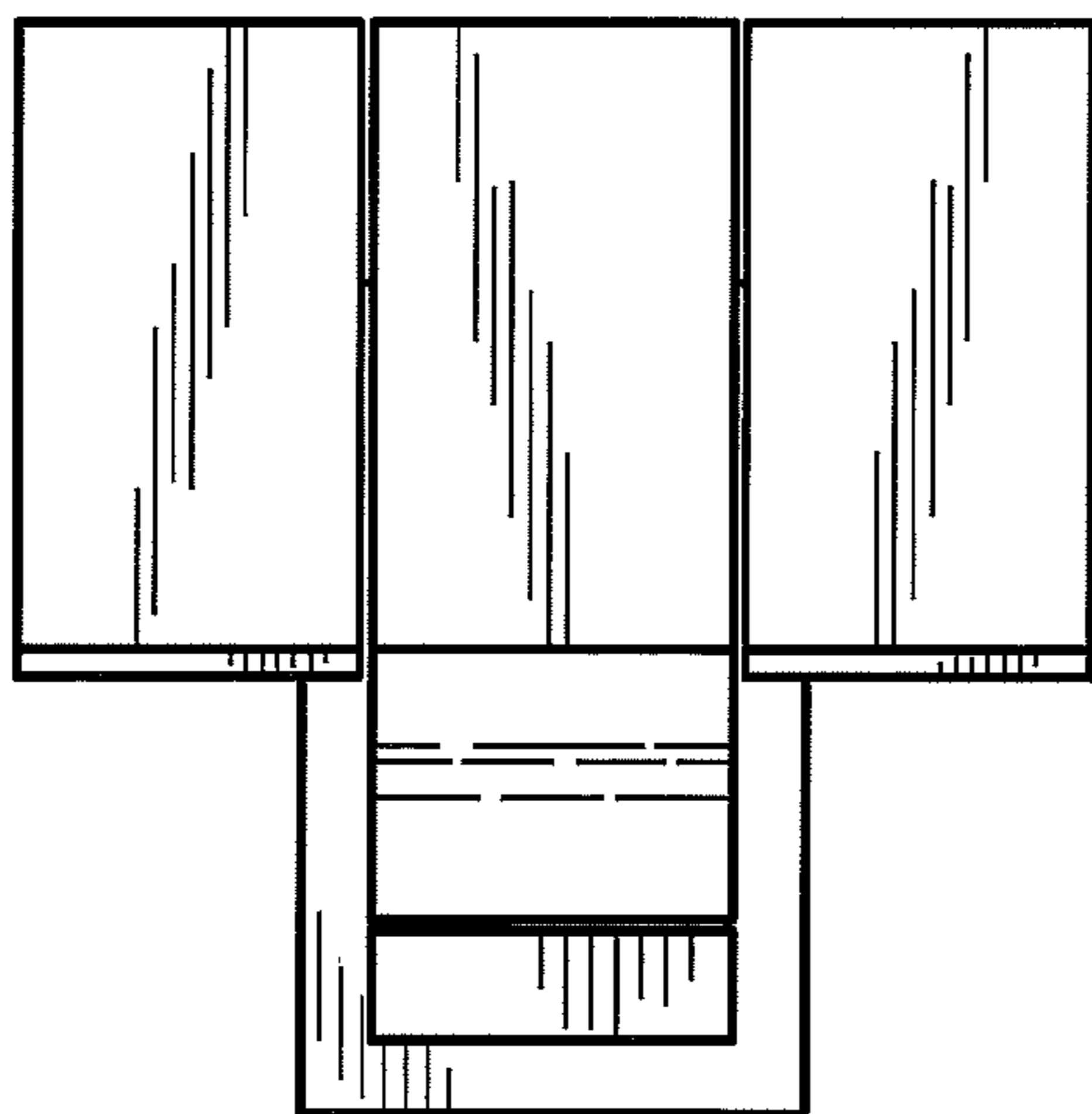


Fig. 12

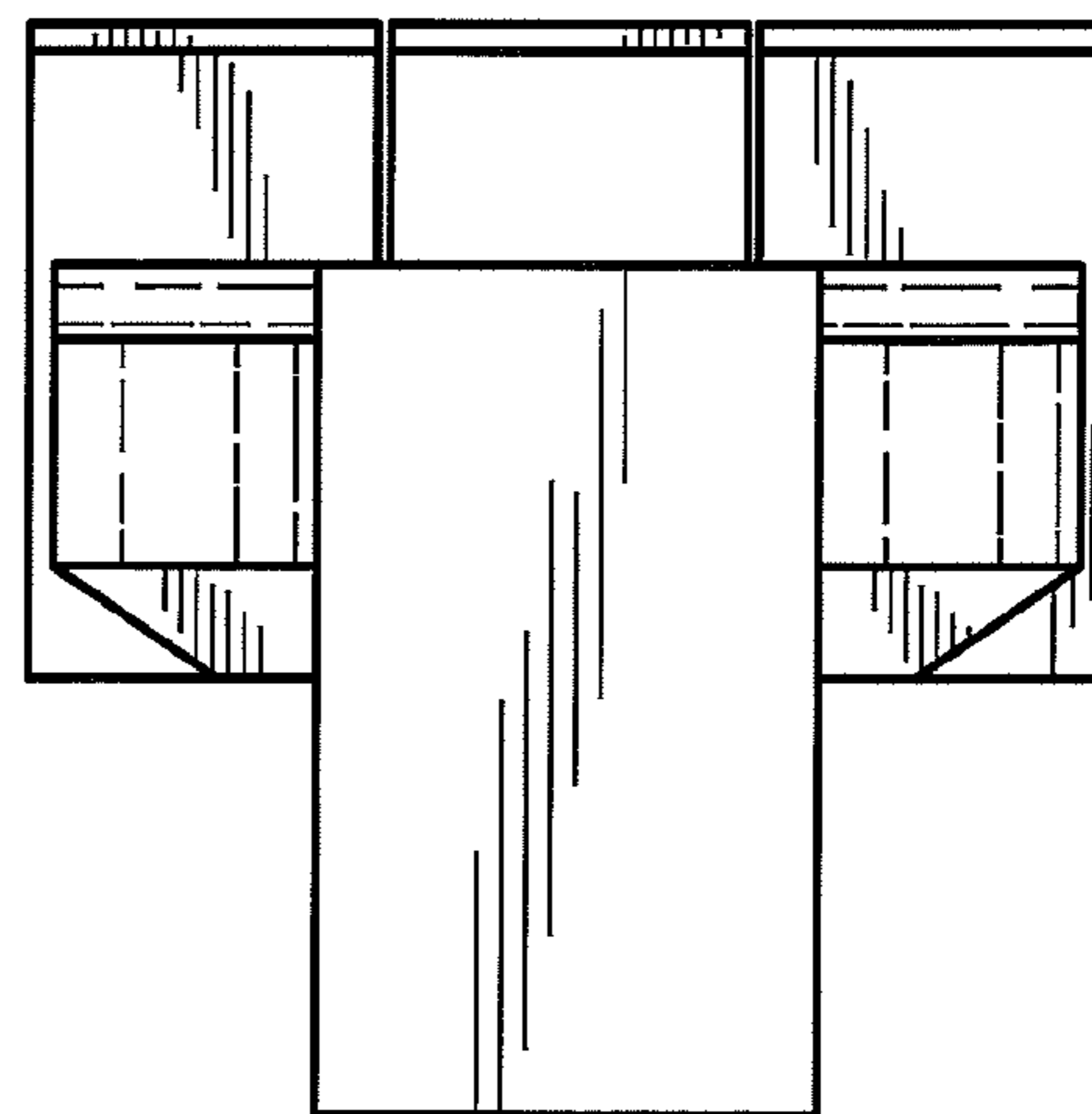


Fig. 13

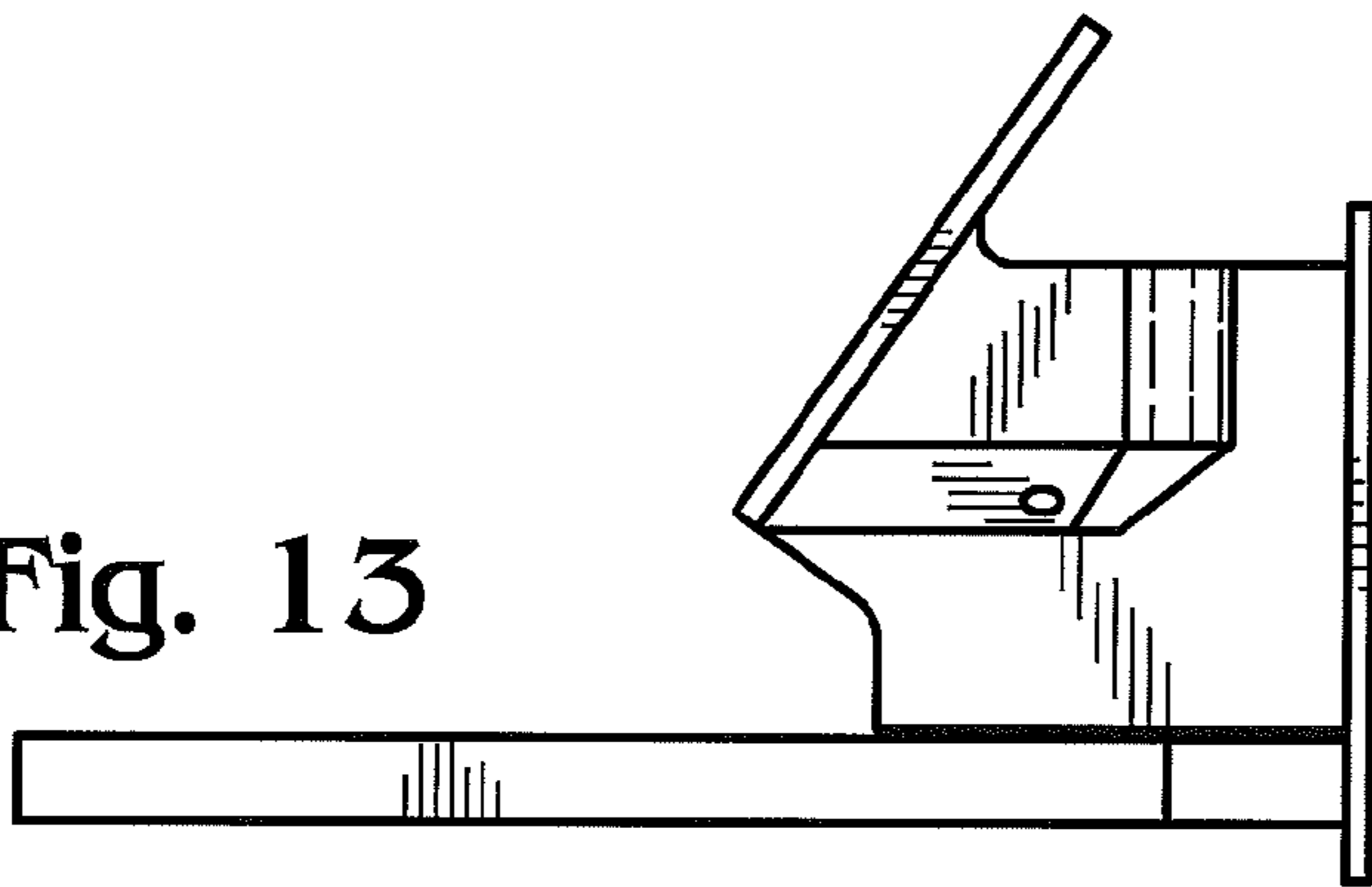


Fig. 14

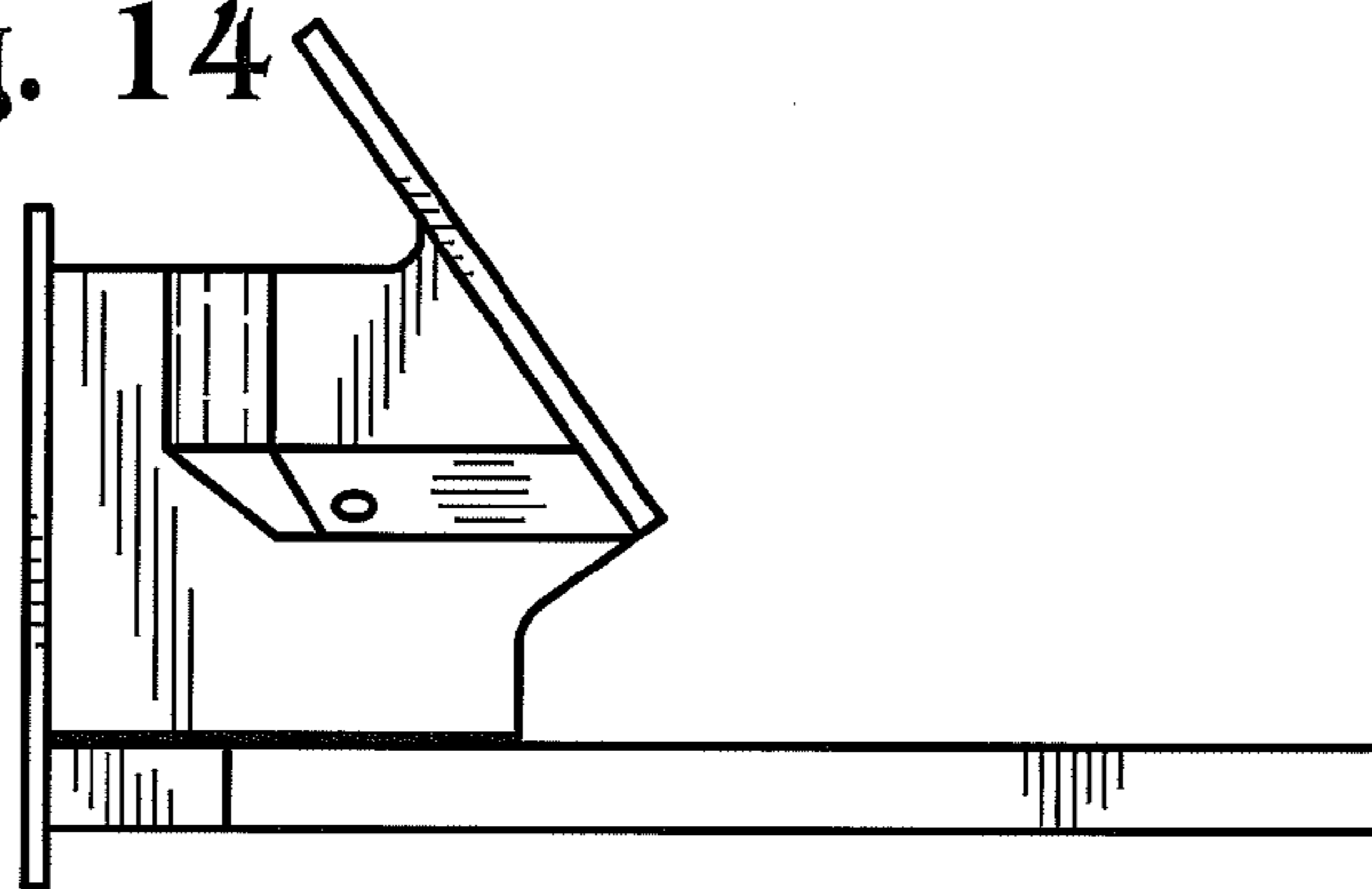


Fig. 15

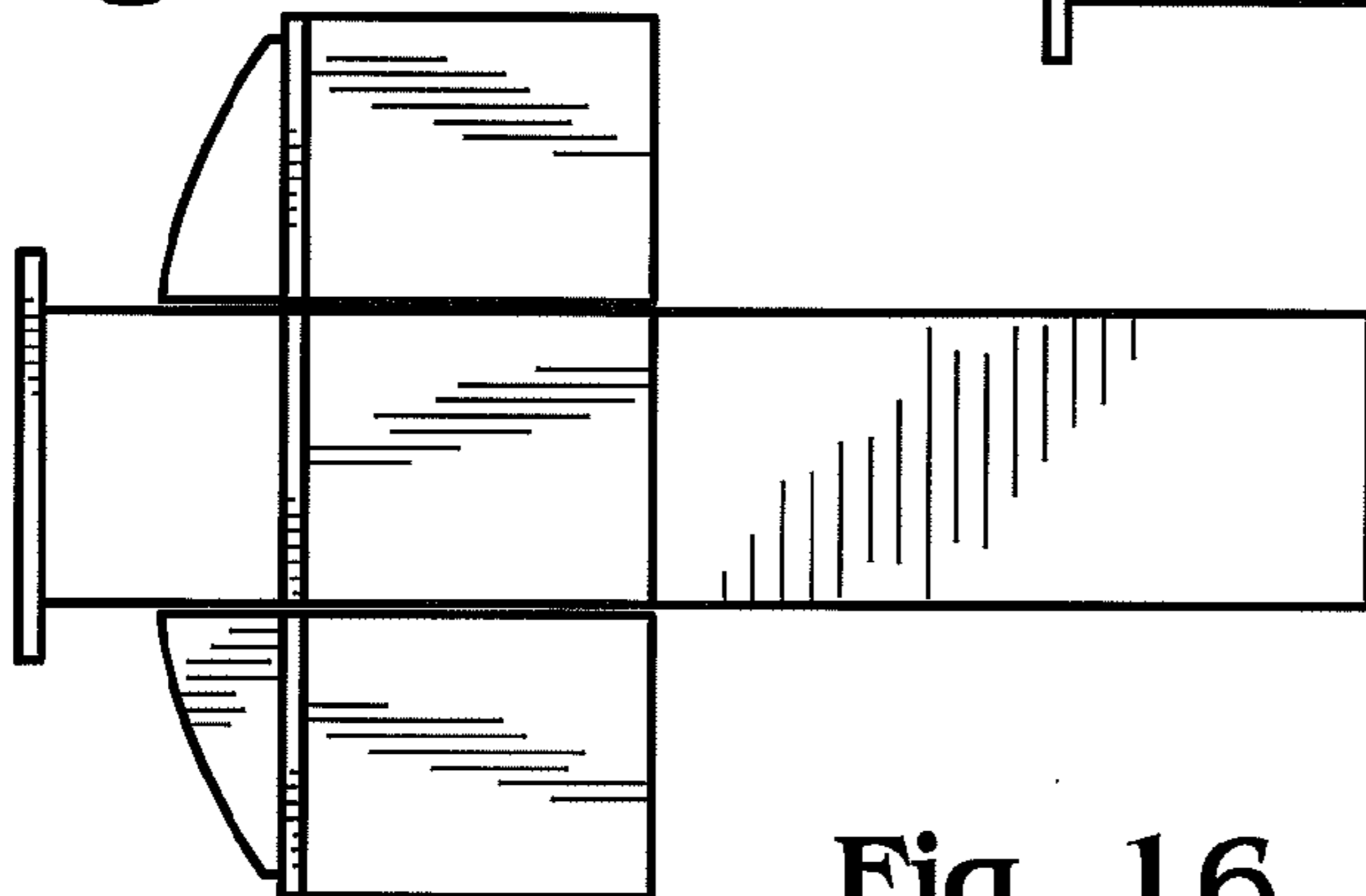


Fig. 16

