



US00D622352S

(12) **United States Design Patent**
Cummings et al.

(10) **Patent No.:** **US D622,352 S**

(45) **Date of Patent:** **** Aug. 24, 2010**

(54) **MIXER TAP**

(75) Inventors: **Stephen John Cummings**, Newport (AU); **David Giorgio**, Five Dock (AU)

(73) Assignee: **Caroma Industries Limited**, Brisbane (AU)

(**) Term: **14 Years**

(21) Appl. No.: **29/328,320**

(22) Filed: **Nov. 21, 2008**

(30) **Foreign Application Priority Data**

May 28, 2008 (AU) 12592/2008
Nov. 12, 2008 (AU) 15347/2008

(51) **LOC (9) Cl.** **23-01**

(52) **U.S. Cl.** **D23/238**

(58) **Field of Classification Search** D23/200,
D23/238-257; D6/512, 546, 550; D8/300,
D8/307-308, 310-312, 321; 4/675-678;
137/801; 16/110.1, 441

See application file for complete search history.

(56) **References Cited**

U.S. PATENT DOCUMENTS

D224,403 S 7/1972 Jenner
D265,231 S 6/1982 Paul
D266,104 S 9/1982 Johnson
D271,704 S 12/1983 Paul
D292,430 S 10/1987 Enthoven
D441,429 S * 5/2001 Mullenmeister D23/238
D509,565 S 9/2005 Starck
D510,611 S 10/2005 Jorgensen et al.
D511,201 S 11/2005 Kulig et al.
D513,059 S 12/2005 Pauls
D517,169 S 3/2006 Ogata et al.
D518,877 S * 4/2006 Kulig D23/241
D528,637 S 9/2006 Massaud
D529,133 S 9/2006 Massaud
D529,134 S 9/2006 Massaud
D529,994 S 10/2006 Kulig
D534,619 S 1/2007 Garner

D534,989 S 1/2007 Massaud
D536,423 S 2/2007 Zetsche
D536,767 S 2/2007 Massaud
D540,912 S 4/2007 Qing
D541,906 S 5/2007 Qing
D548,308 S 8/2007 Hoernig
D556,863 S * 12/2007 Demmer et al. D23/235

(Continued)

FOREIGN PATENT DOCUMENTS

AU 12594/2008 5/2008

(Continued)

Primary Examiner—T. Chase Nelson
Assistant Examiner—Mark Cavanna
(74) *Attorney, Agent, or Firm*—Dascenzo Intellectual Property Law, P.C.

(57) **CLAIM**

We claim the ornamental design for a mixer tap, as shown and described.

DESCRIPTION

FIG. 1 is an isometric front view of a mixer tap showing our new design;

FIG. 2 is an isometric rear view thereof;

FIG. 3 is a front view thereof;

FIG. 4 is a rear view thereof;

FIG. 5 is a right side view thereof;

FIG. 6 is a left side view thereof;

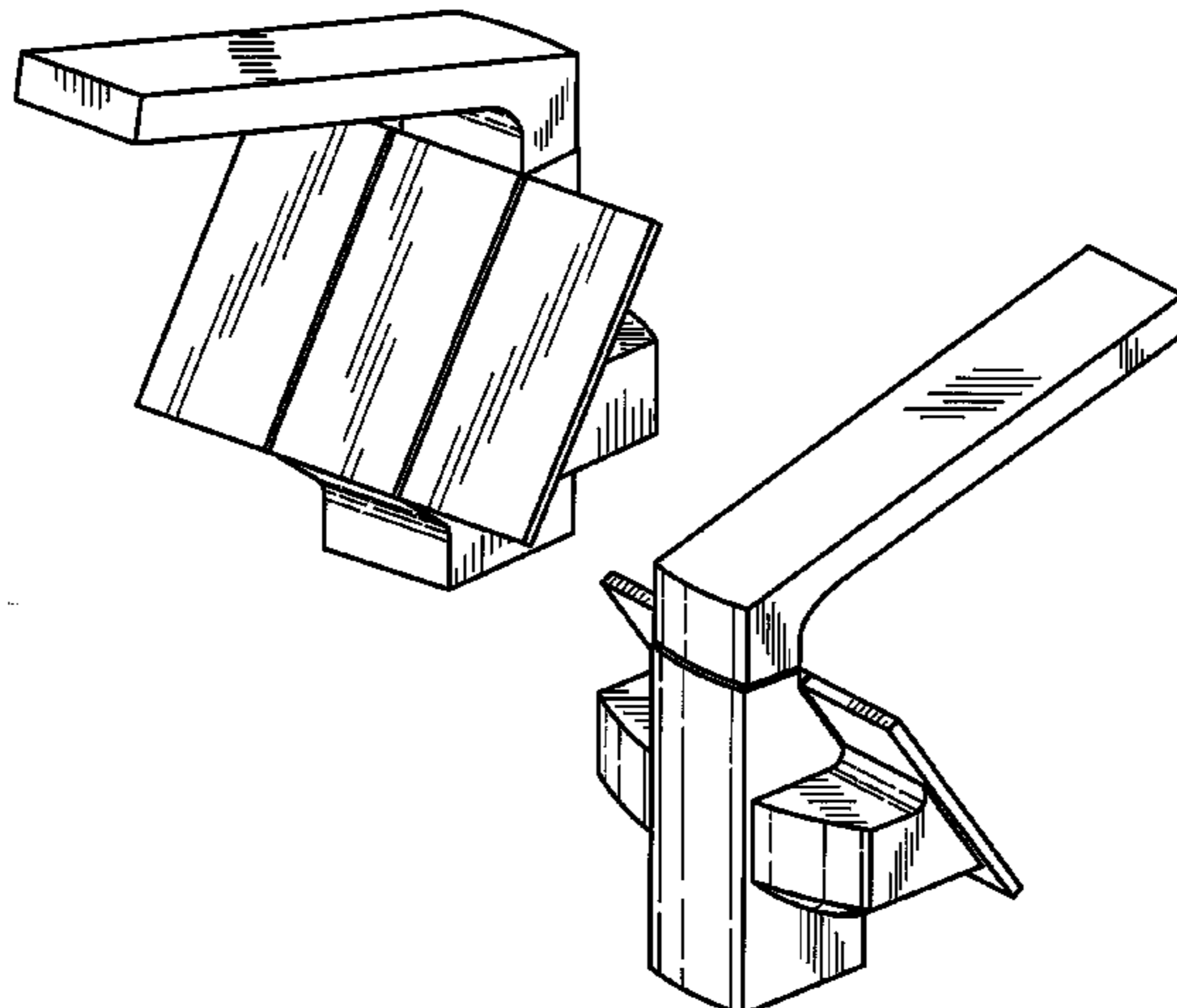
FIG. 7 is a top view thereof; and,

FIG. 8 is a bottom view thereof.

The broken lines shown are included for the purpose of illustrating a portion of the mixer tap that forms no part of the claimed design.

The shading lines shown in the drawings represent the approximate three-dimensional contour of the design, and are not intended to indicate surface decoration.

1 Claim, 2 Drawing Sheets



US D622,352 S

Page 2

U.S. PATENT DOCUMENTS

D579,520 S * 10/2008 Chenesseau D23/238
D579,521 S 10/2008 Kulig
D580,024 S 11/2008 Gilbert
D580,524 S 11/2008 Starck
D582,008 S * 12/2008 Citterio D23/238
D589,119 S 3/2009 Oh
D590,050 S 4/2009 Miyamoto
D596,711 S 7/2009 Sieger

D602,121 S 10/2009 Yabe et al.

FOREIGN PATENT DOCUMENTS

AU 12595/2008 5/2008
AU 15340/2008 11/2008
AU 15343/2008 11/2008
AU 15344/2008 11/2008
AU 15345/2008 11/2008

* cited by examiner

Fig. 1

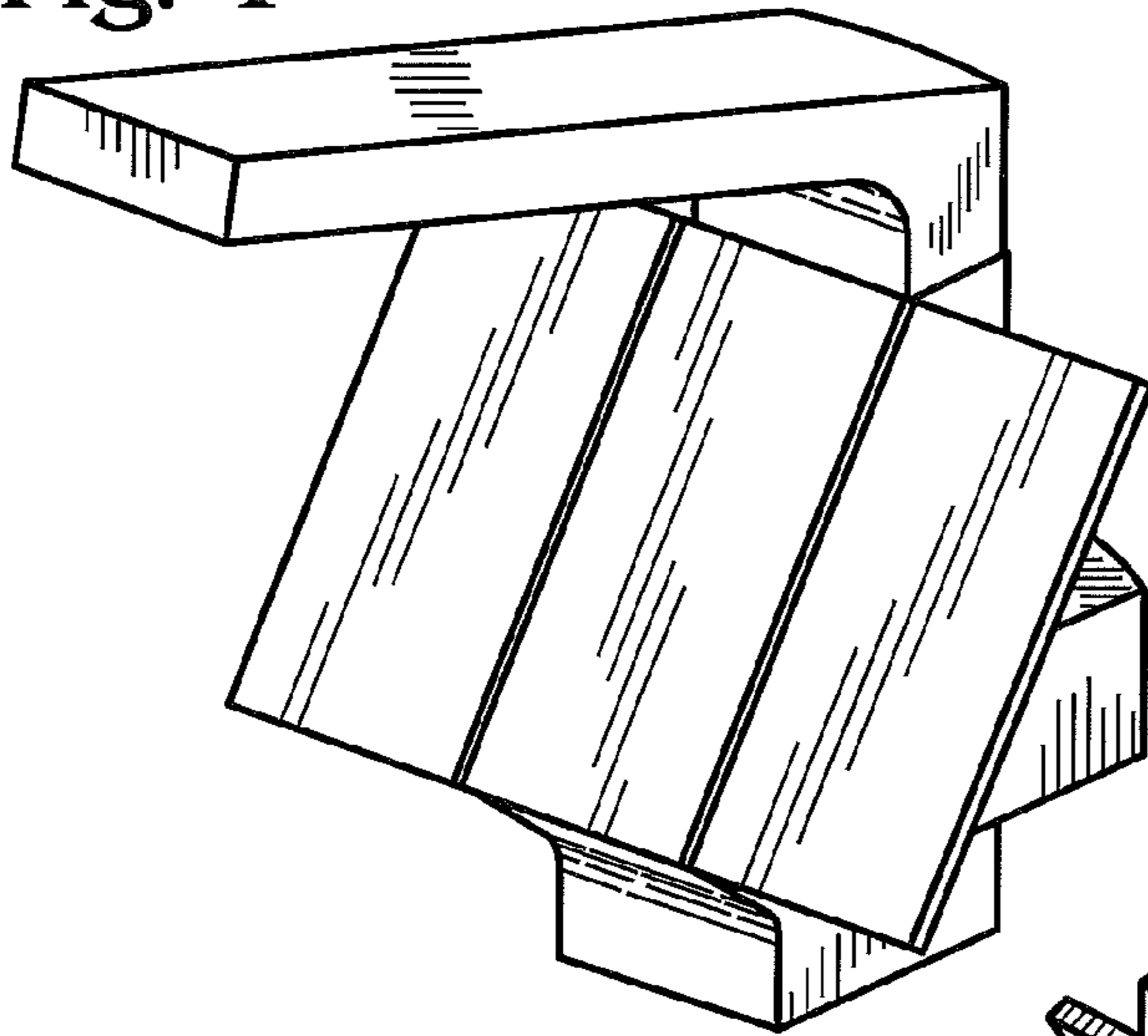


Fig. 2

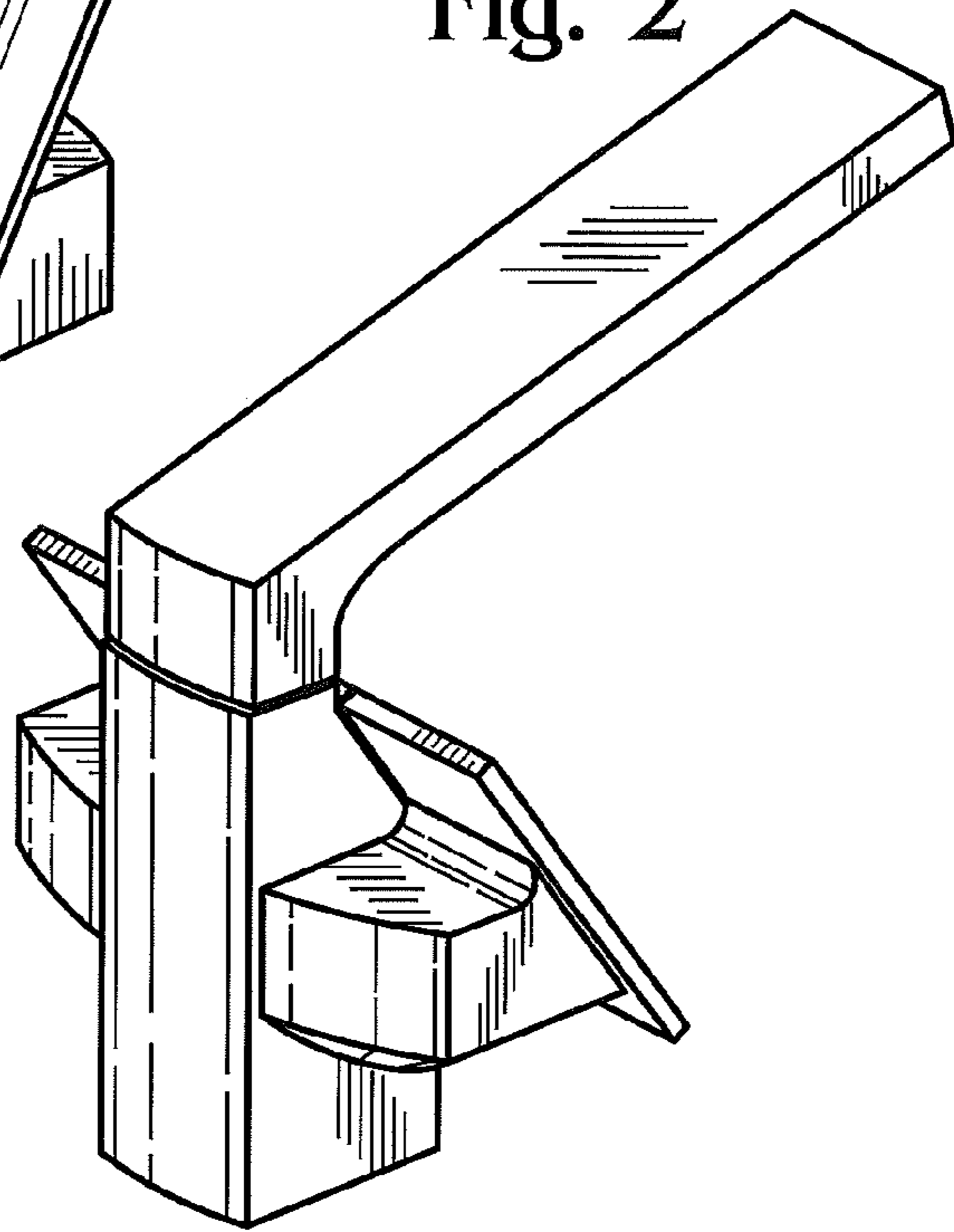


Fig. 3

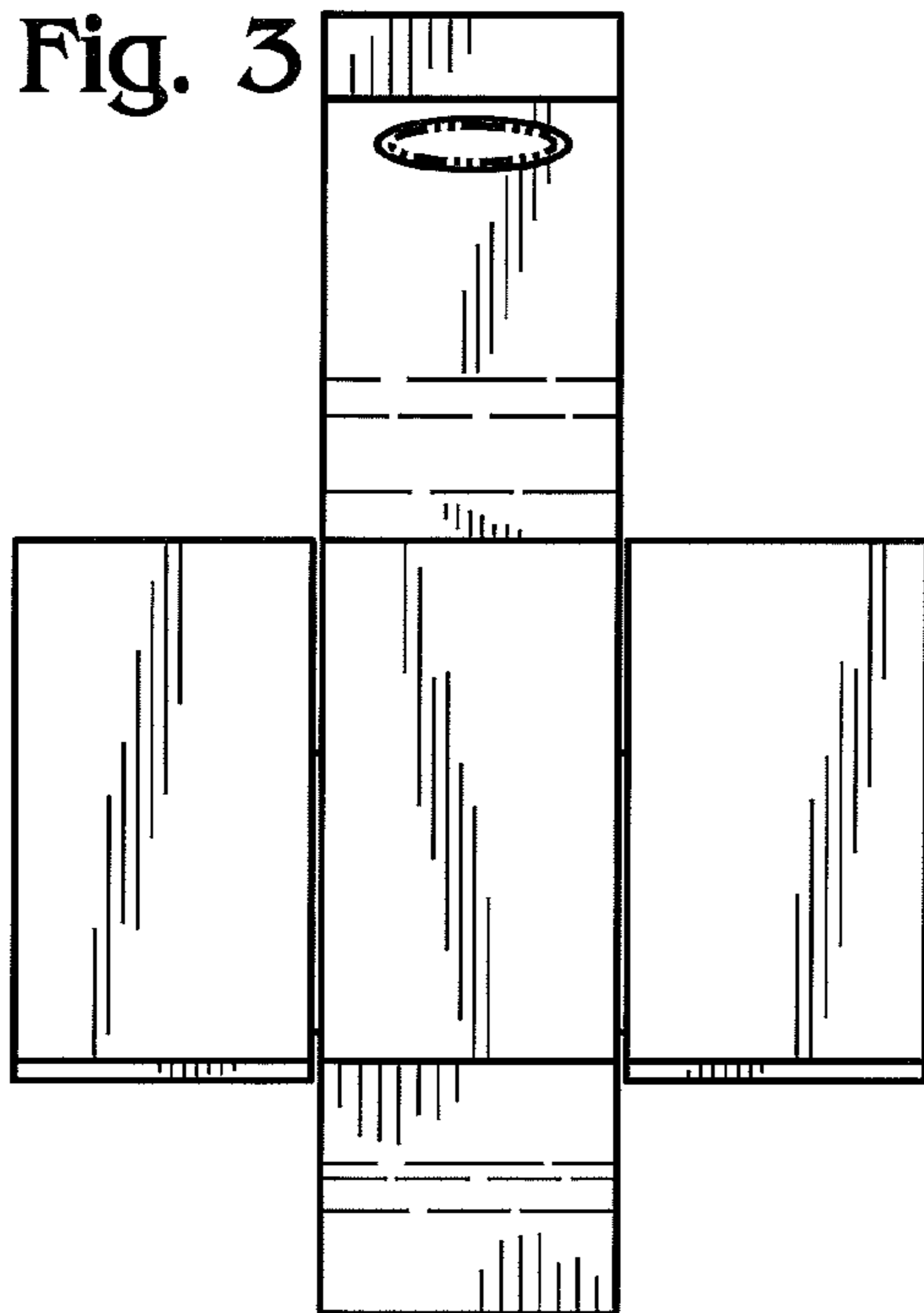


Fig. 4

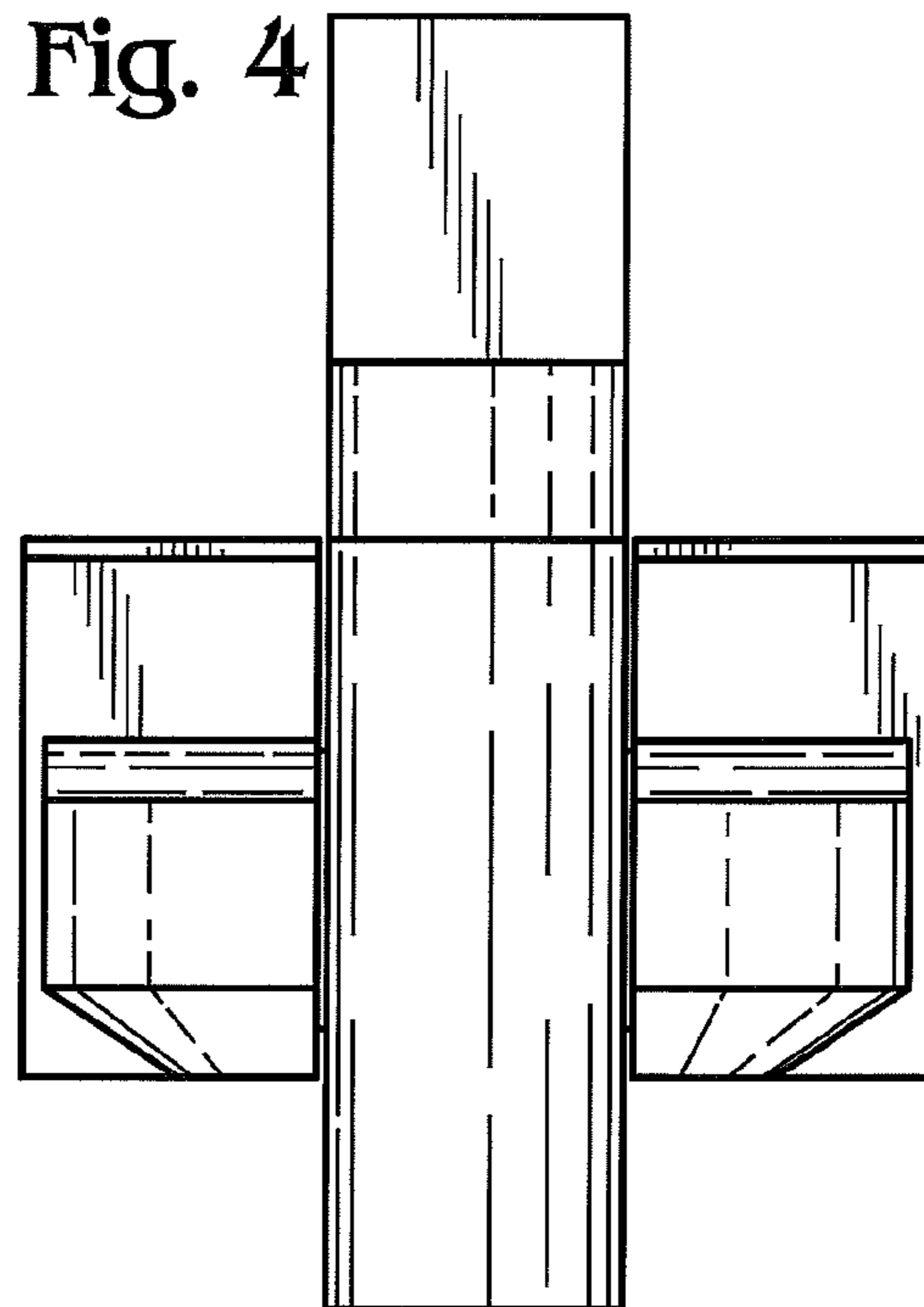


Fig. 6

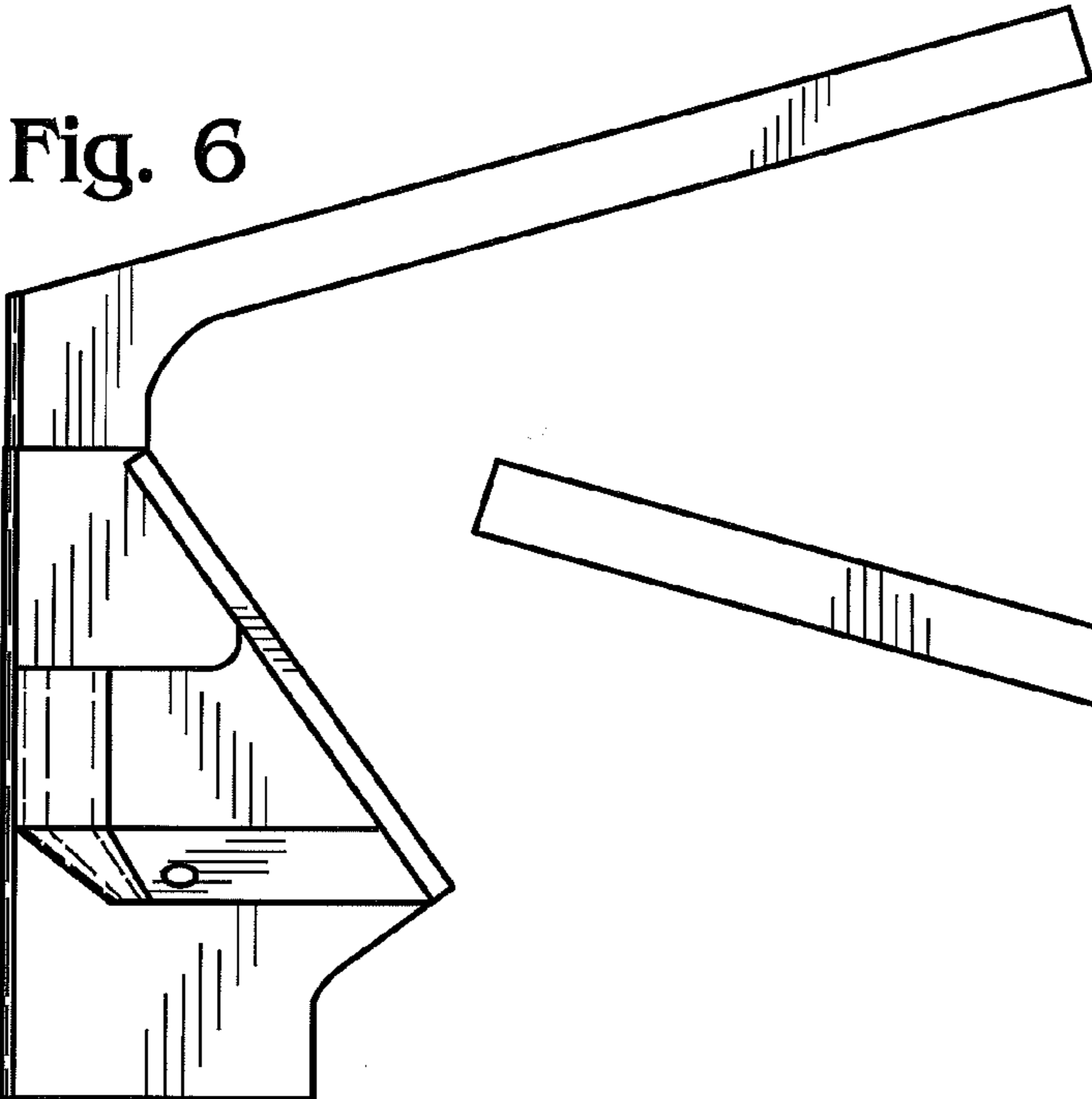


Fig. 5

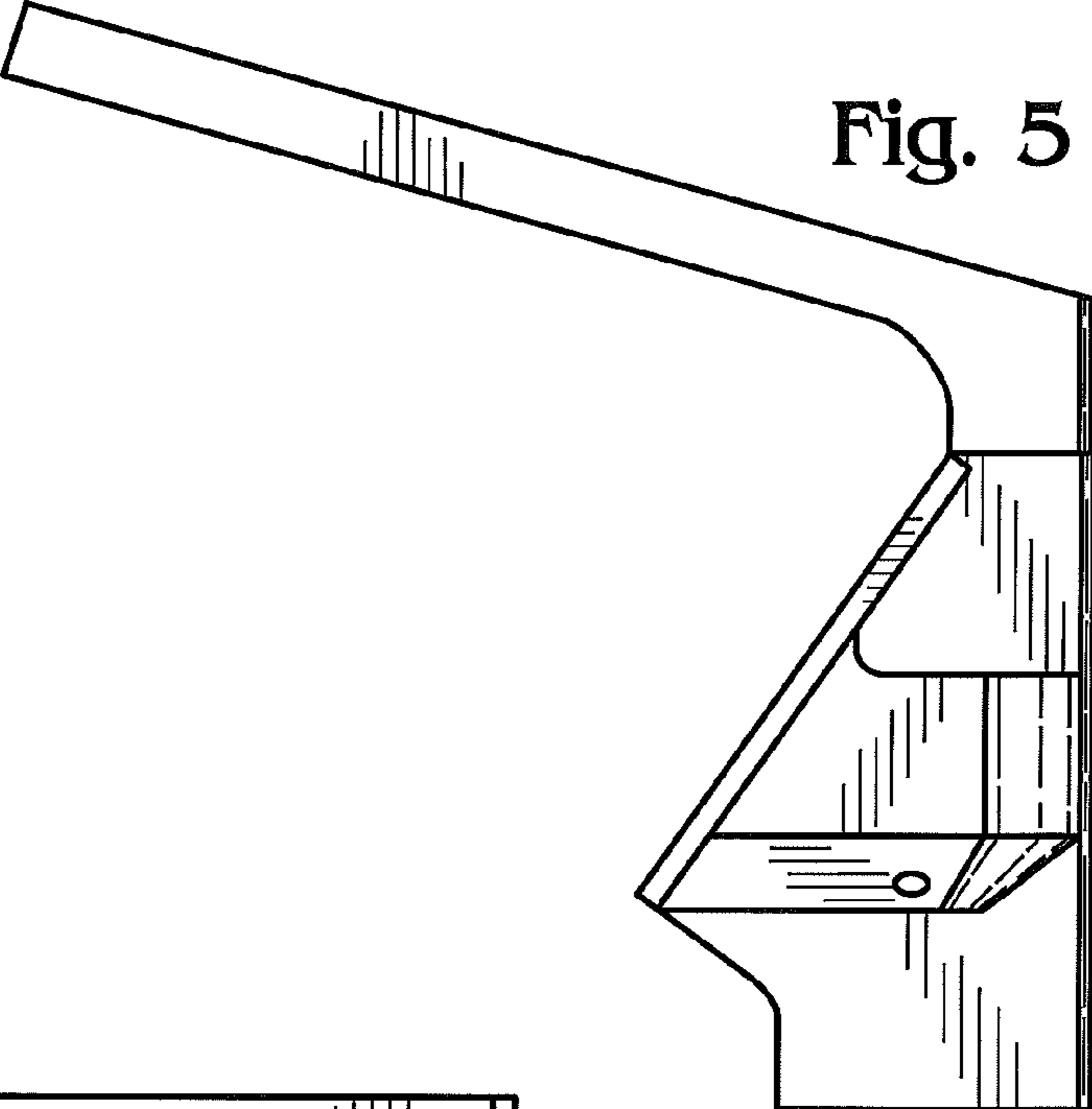


Fig. 7

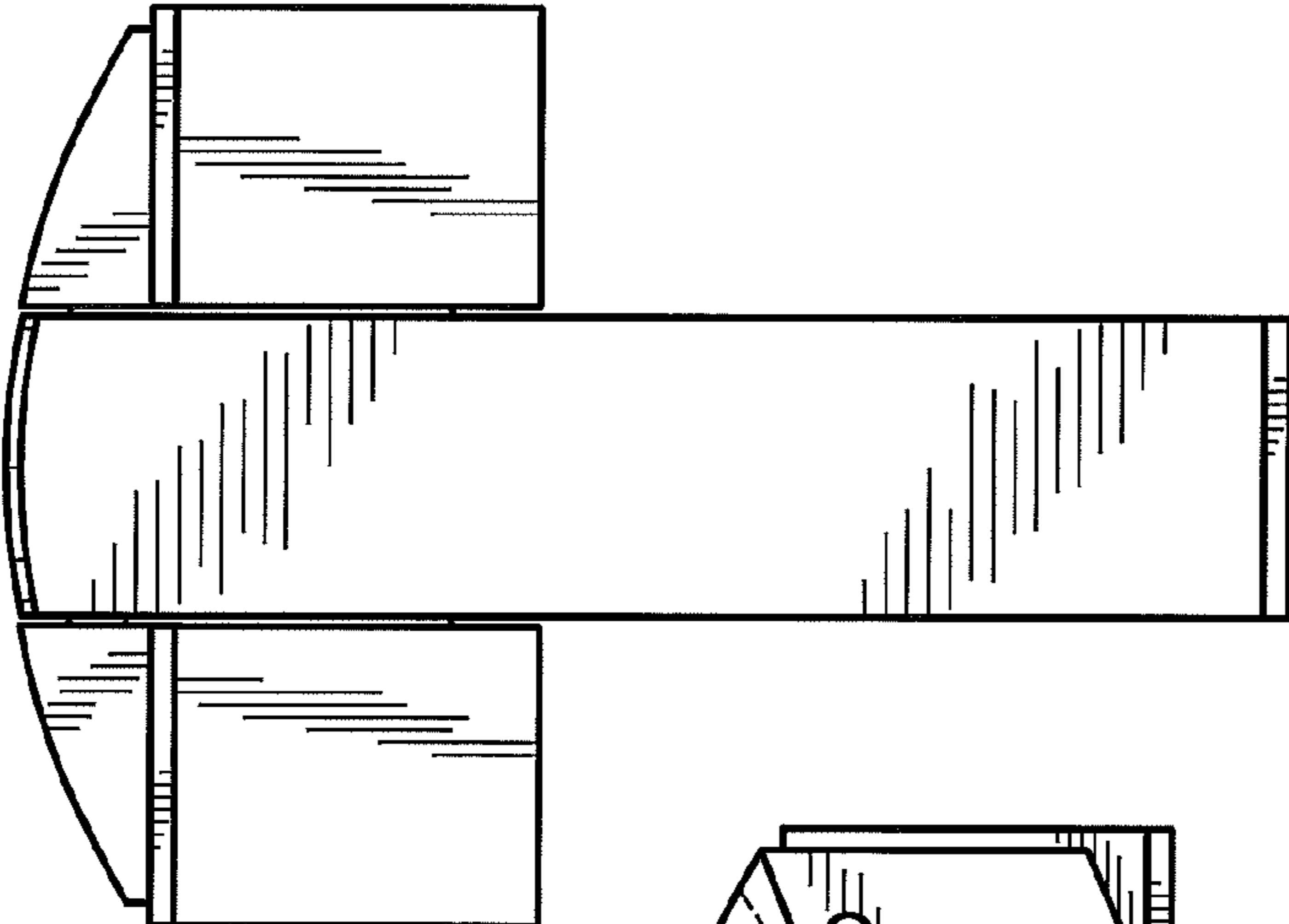


Fig. 8

