



US00D622351S

(12) **United States Design Patent**  
**Foster**

(10) **Patent No.:** **US D622,351 S**

(45) **Date of Patent:** **\*\* Aug. 24, 2010**

(54) **COMBINED VALVE AND REGULATOR**

(75) Inventor: **Geoffrey Frederick Foster**, Glenorie (AU)

(73) Assignee: **Premier-Fosters (Australia) Pty Limited**, New South Wales (AU)

(\*\*) Term: **14 Years**

(21) Appl. No.: **29/334,811**

(22) Filed: **Apr. 2, 2009**

**Related U.S. Application Data**

(62) Division of application No. 29/292,323, filed on Oct. 5, 2007.

(51) **LOC (9) Cl.** ..... **23-01**

(52) **U.S. Cl.** ..... **D23/233**

(58) **Field of Classification Search** ..... D23/207,  
D23/209, 233-237; 55/501, 509; 210/447;  
251/213

See application file for complete search history.

(56) **References Cited**

**U.S. PATENT DOCUMENTS**

D309,175 S \* 7/1990 Hastings et al. .... D23/245

D380,526 S \* 7/1997 Pullen ..... D23/245

D420,724 S \* 2/2000 Ybarra ..... D23/254

D476,718 S \* 7/2003 Ferrer Beltran ..... D23/209

D518,876 S \* 4/2006 Park ..... D23/233

D542,382 S \* 5/2007 Cook et al. .... D23/233

\* cited by examiner

*Primary Examiner*—Cathron C. Brooks

*Assistant Examiner*—Maurice Stevens

(74) *Attorney, Agent, or Firm*—Ladas and Parry LLP

(57) **CLAIM**

I claim the ornamental design for a combined valve and regulator, as shown and described.

**DESCRIPTION**

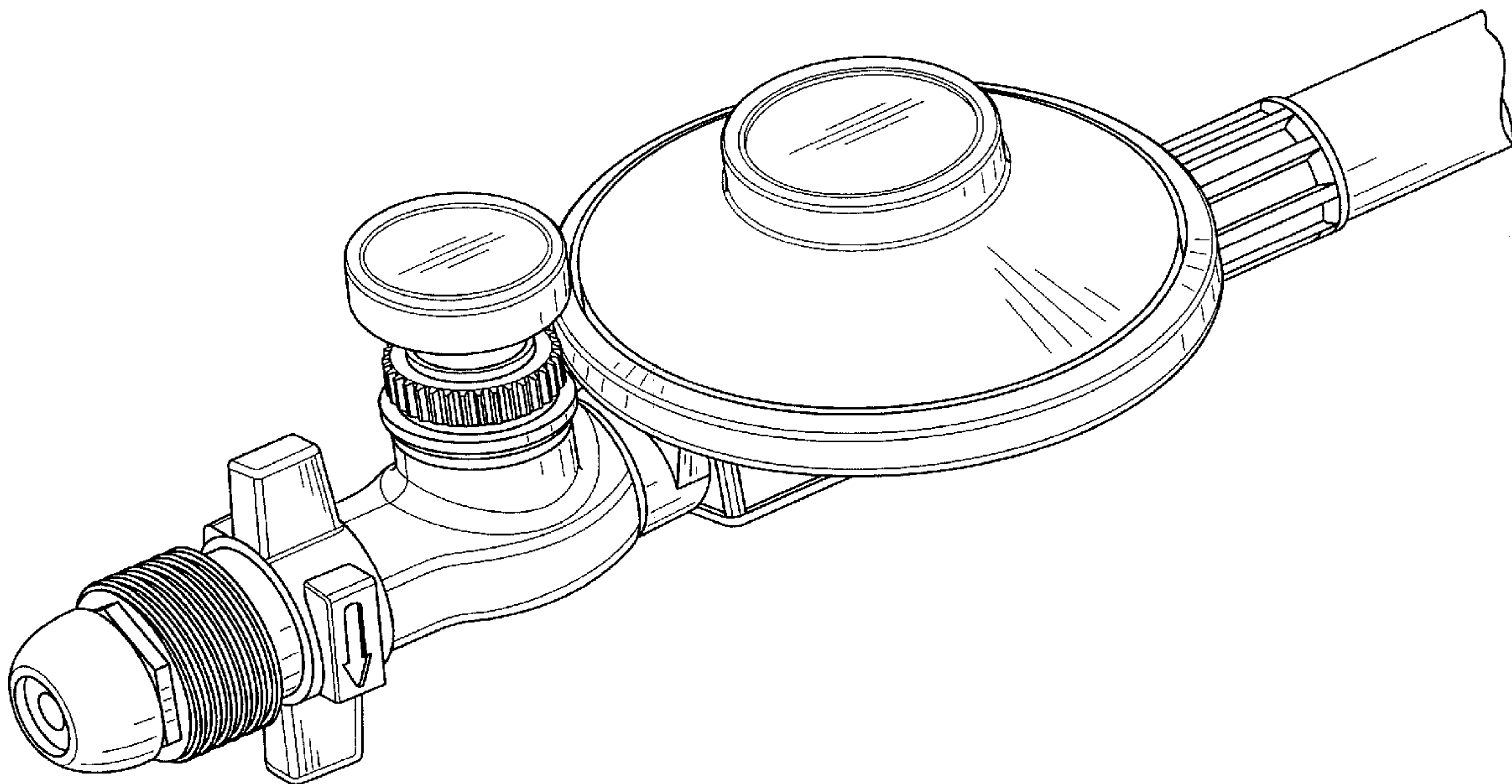
FIG. 1 is a top/left-side/front-end perspective view of a combined valve and regulator showing my new design;

FIG. 2 is a left-side elevational view thereof, the right-side elevational view being a mirror image;

FIG. 3 is a top plan view thereof; and,

FIG. 4 is a front-end elevational view thereof.

**1 Claim, 4 Drawing Sheets**



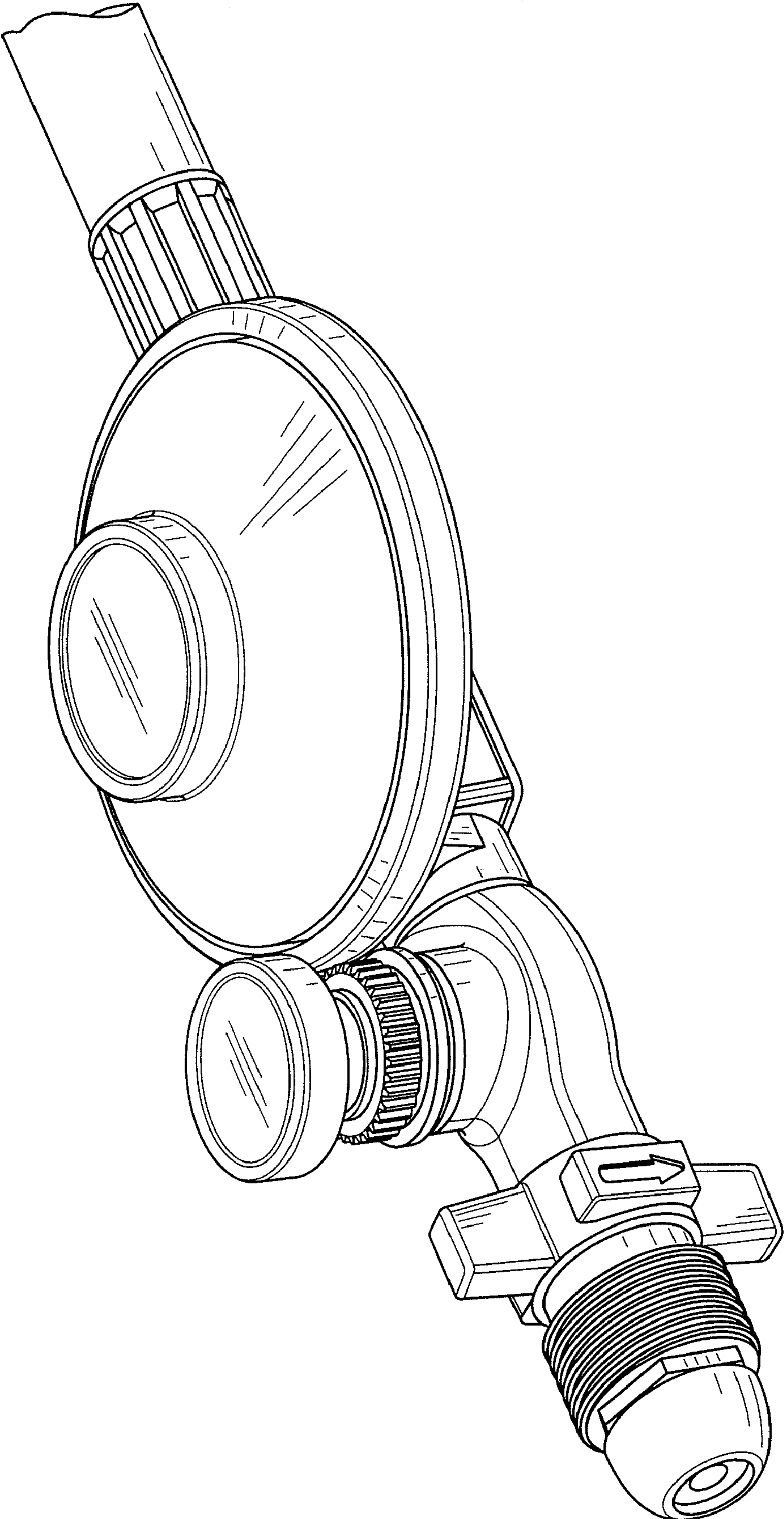


FIG. 1

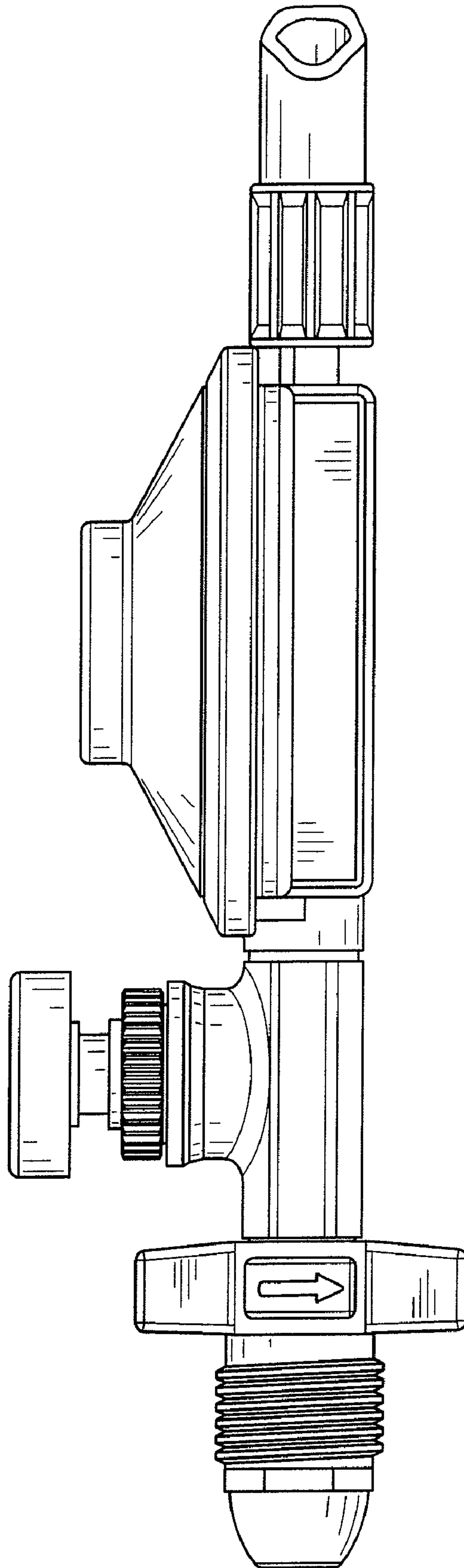


FIG. 2

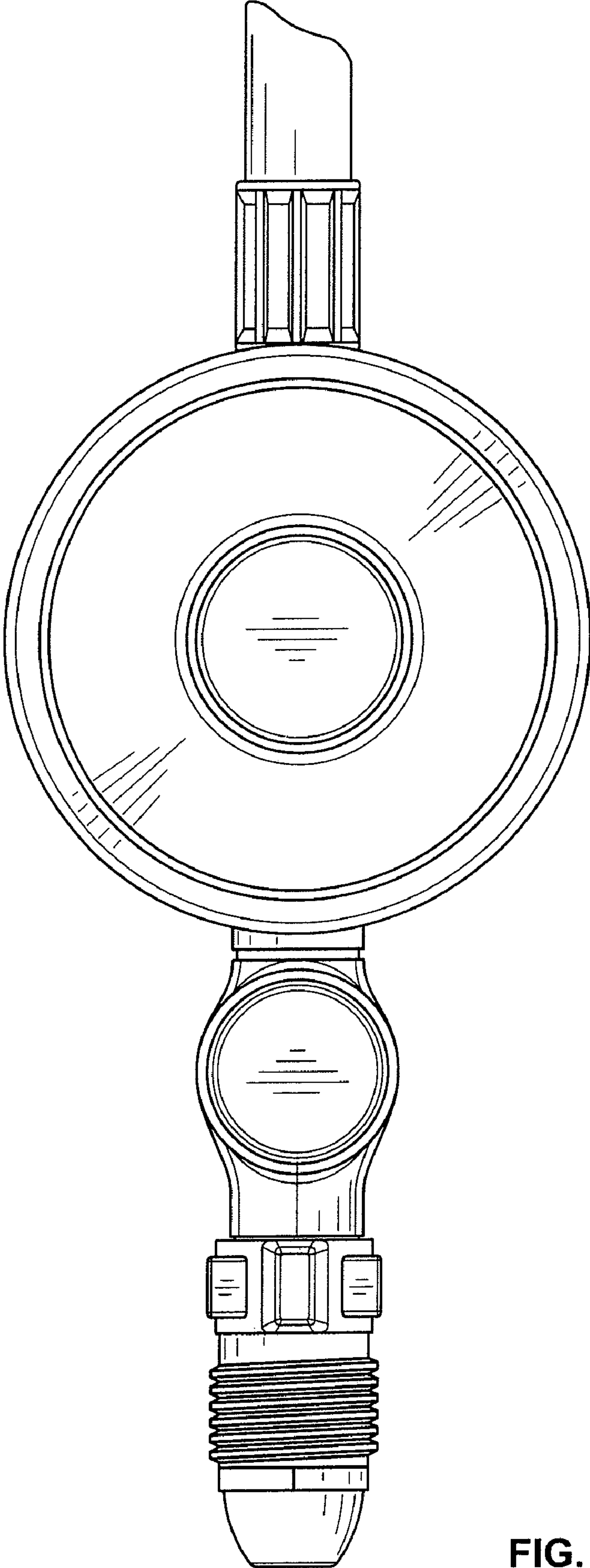


FIG. 3

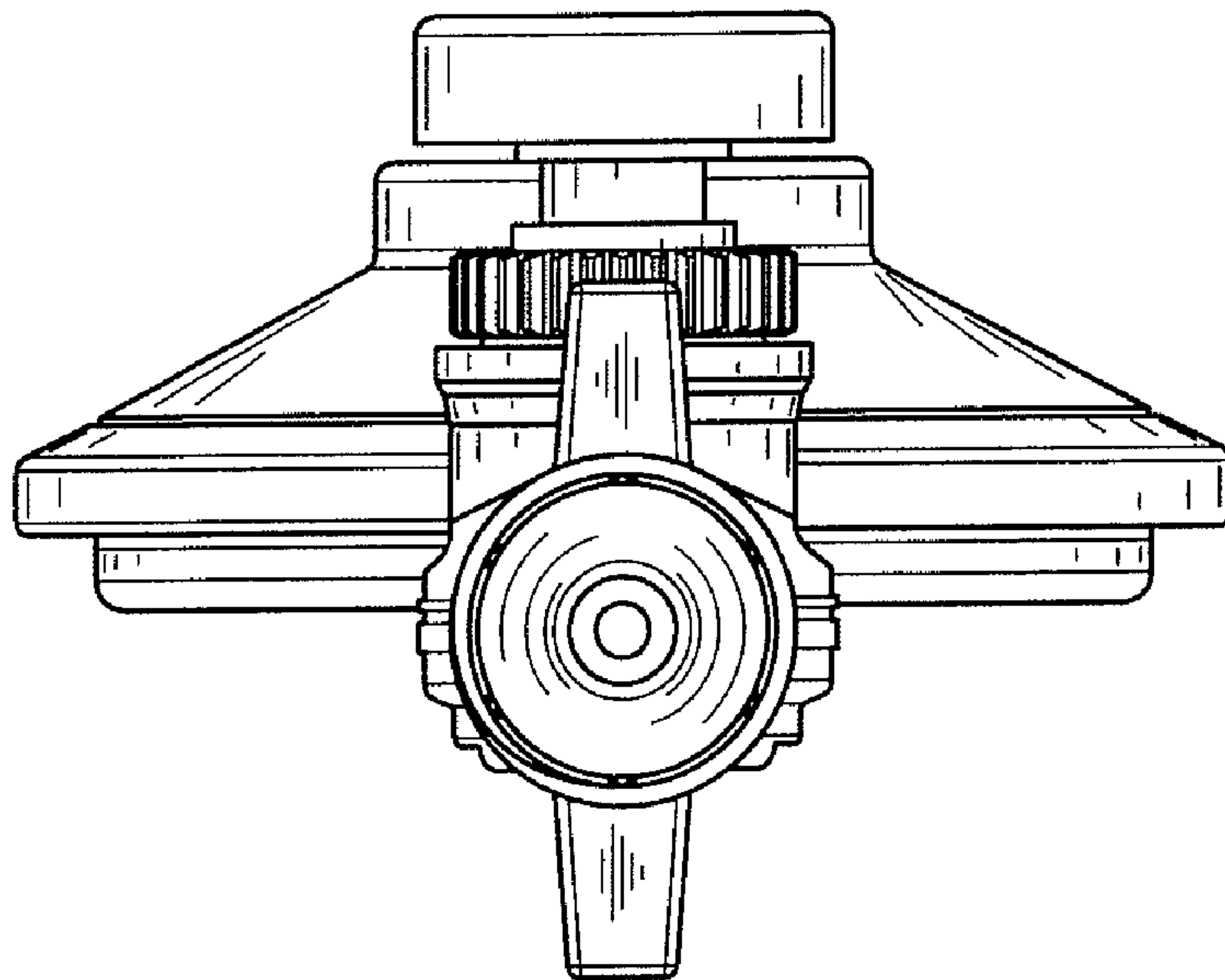


FIG. 4