

US00D622350S

(12) **United States Design Patent**  
**Gramegna et al.**

(10) **Patent No.:** **US D622,350 S**

(45) **Date of Patent:** **\*\* Aug. 24, 2010**

(54) **REGULATORY VALVE**

(75) Inventors: **Gerald Gramegna**, Saddle Brook, NJ (US); **Joseph Caron**, Summit, NJ (US)

(73) Assignee: **Versa Products Company, Inc.**, Paramus, NJ (US)

(\*\*) Term: **14 Years**

(21) Appl. No.: **29/328,128**

(22) Filed: **Nov. 19, 2008**

(51) **LOC (9) Cl.** ..... **23-01**

(52) **U.S. Cl.** ..... **D23/233**

(58) **Field of Classification Search** ..... D23/233–237, D23/244–249; 192/87.13, 87.18, 3.57; 251/129.01, 251/129.07, 129.08, 137, 282, 324–325, 251/321, 355; D15/5

See application file for complete search history.

(56) **References Cited**

**U.S. PATENT DOCUMENTS**

D439,634 S \* 3/2001 Hayashi et al. .... D23/233  
D539,387 S \* 3/2007 Donovan et al. .... D23/233

D542,382 S \* 5/2007 Cook et al. .... D23/233  
D553,156 S \* 10/2007 Nimberger ..... D15/5  
D566,234 S 4/2008 Caron et al.  
D577,103 S 9/2008 Caron et al.  
D585,959 S 2/2009 Caron et al.

\* cited by examiner

*Primary Examiner*—Cathron C Brooks

*Assistant Examiner*—Maurice Stevens

(74) *Attorney, Agent, or Firm*—Greenlee, Winner and Sullivan, P.C.

(57) **CLAIM**

The ornamental design for a regulatory valve, as shown and described.

**DESCRIPTION**

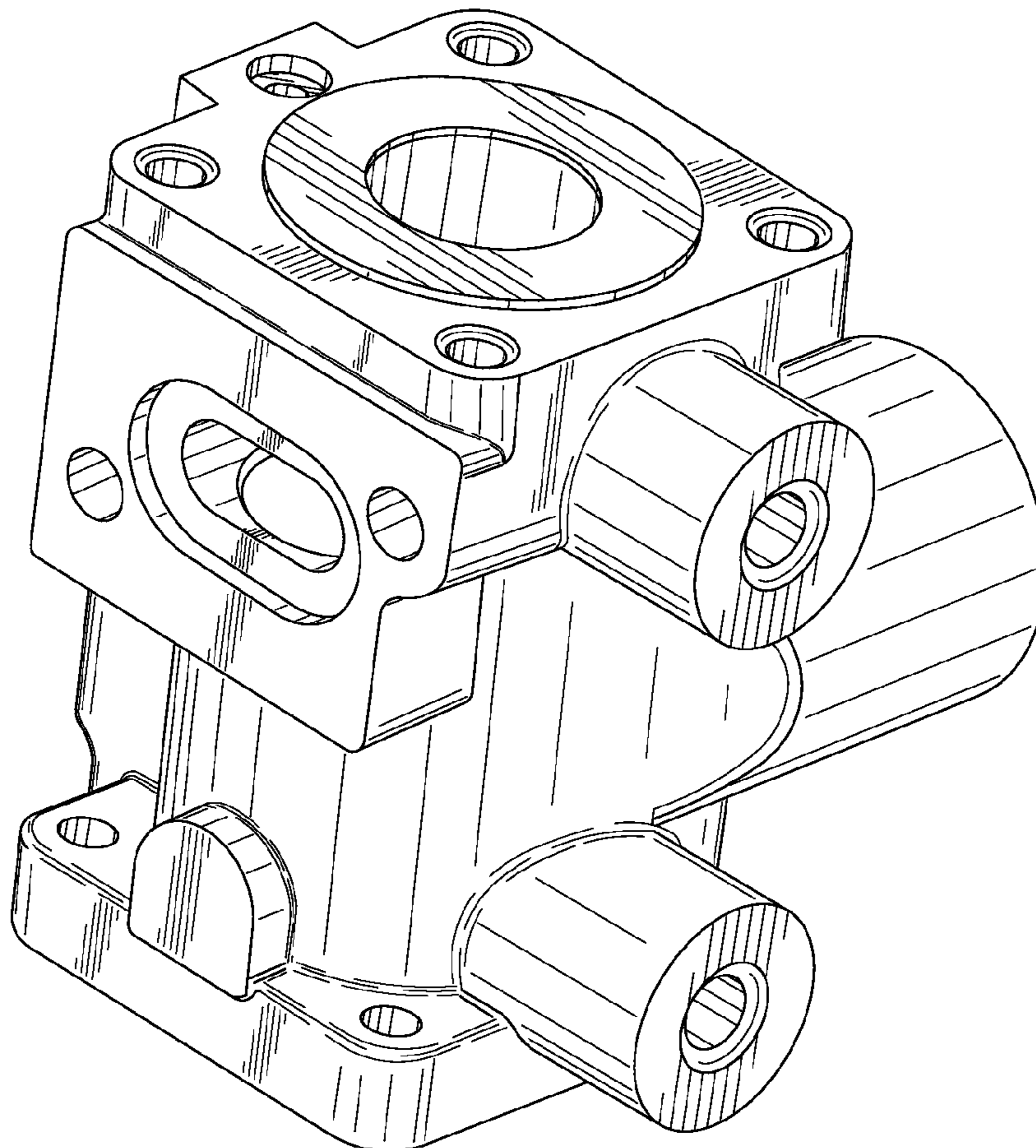
FIG. 1 is a top, front and right perspective view of a regulatory valve showing my new design;

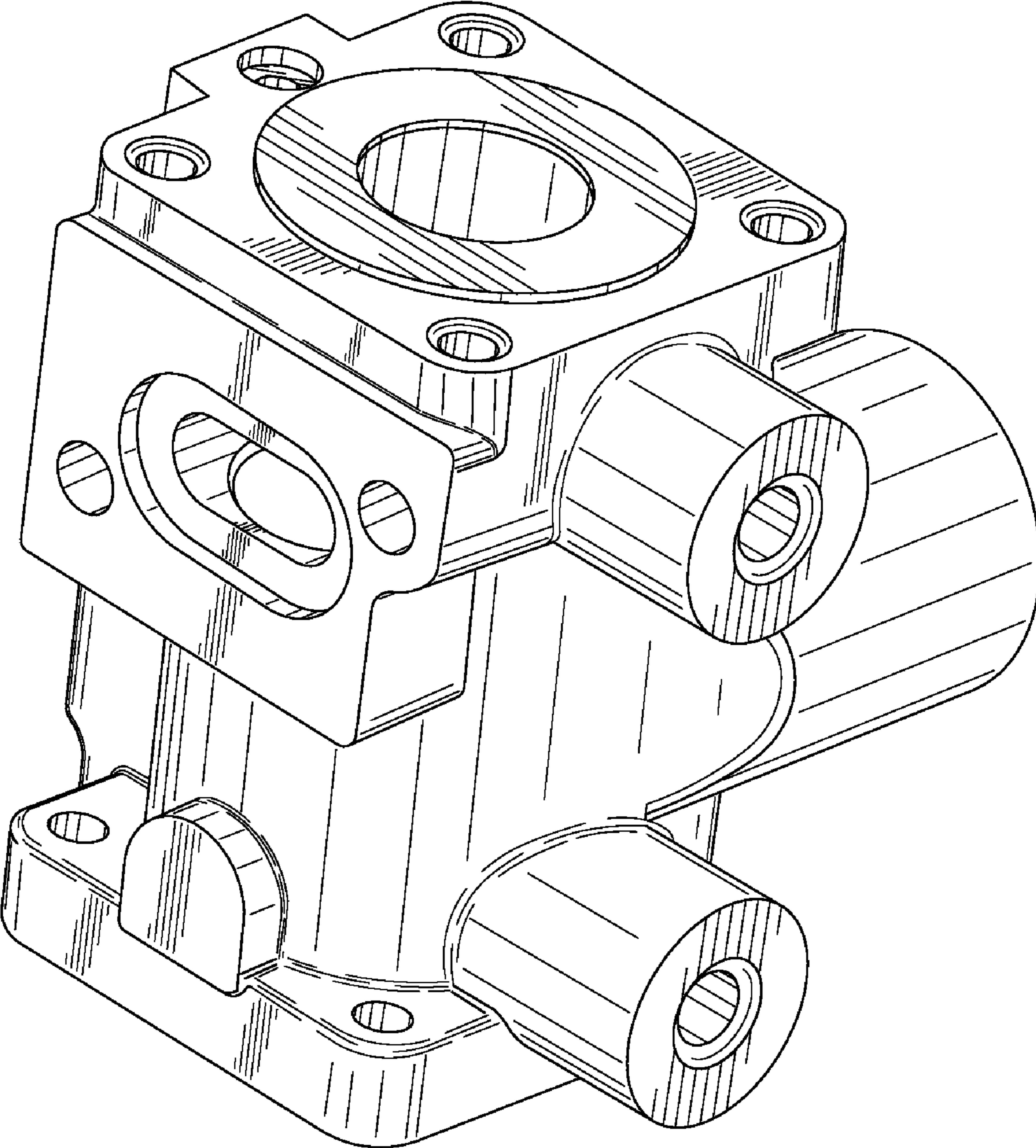
FIG. 2 is a bottom, left and back view thereof;

FIG. 3 is a back, left and top view thereof; and,

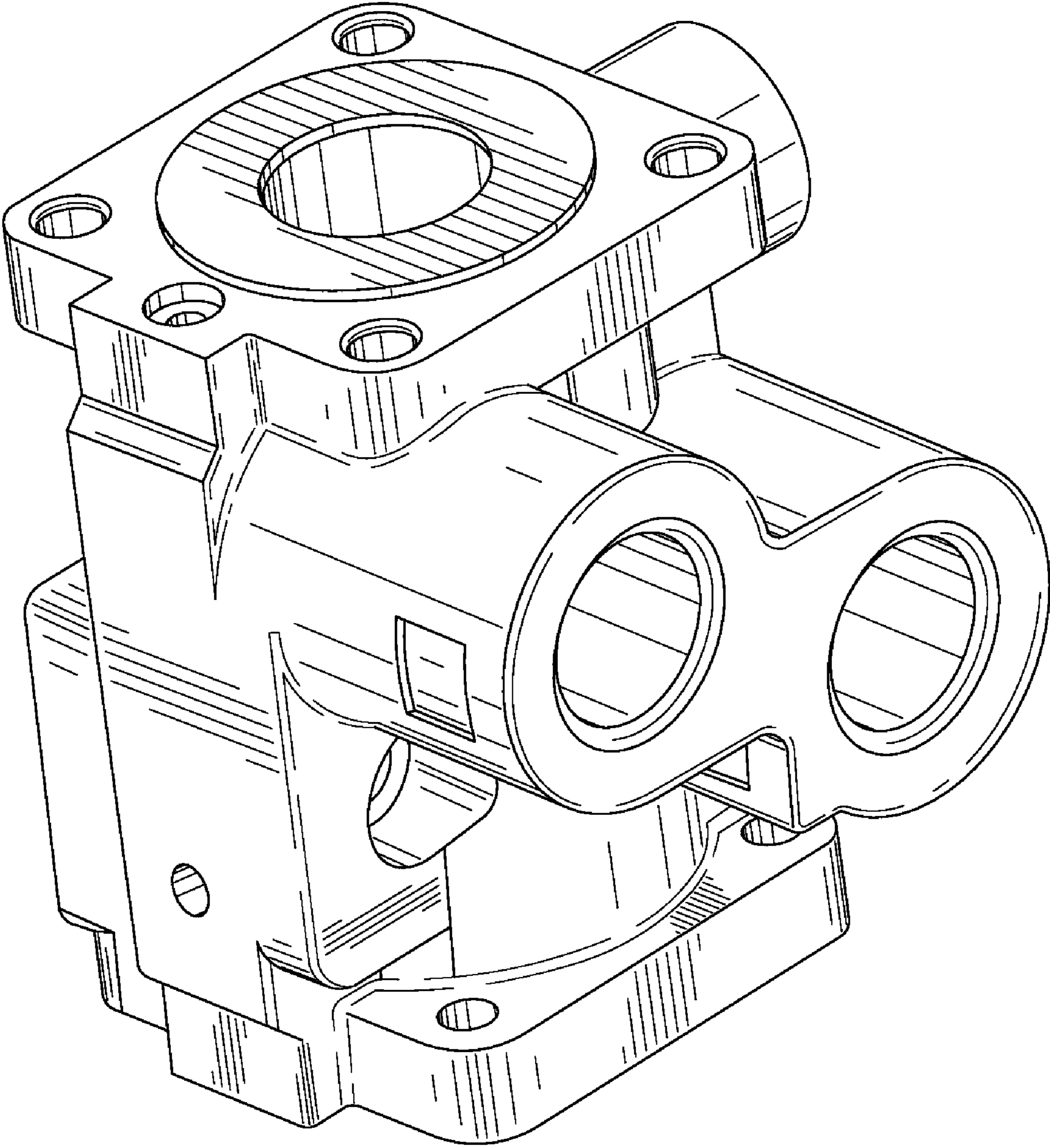
FIG. 4 is a front, right and bottom view thereof.

**1 Claim, 4 Drawing Sheets**

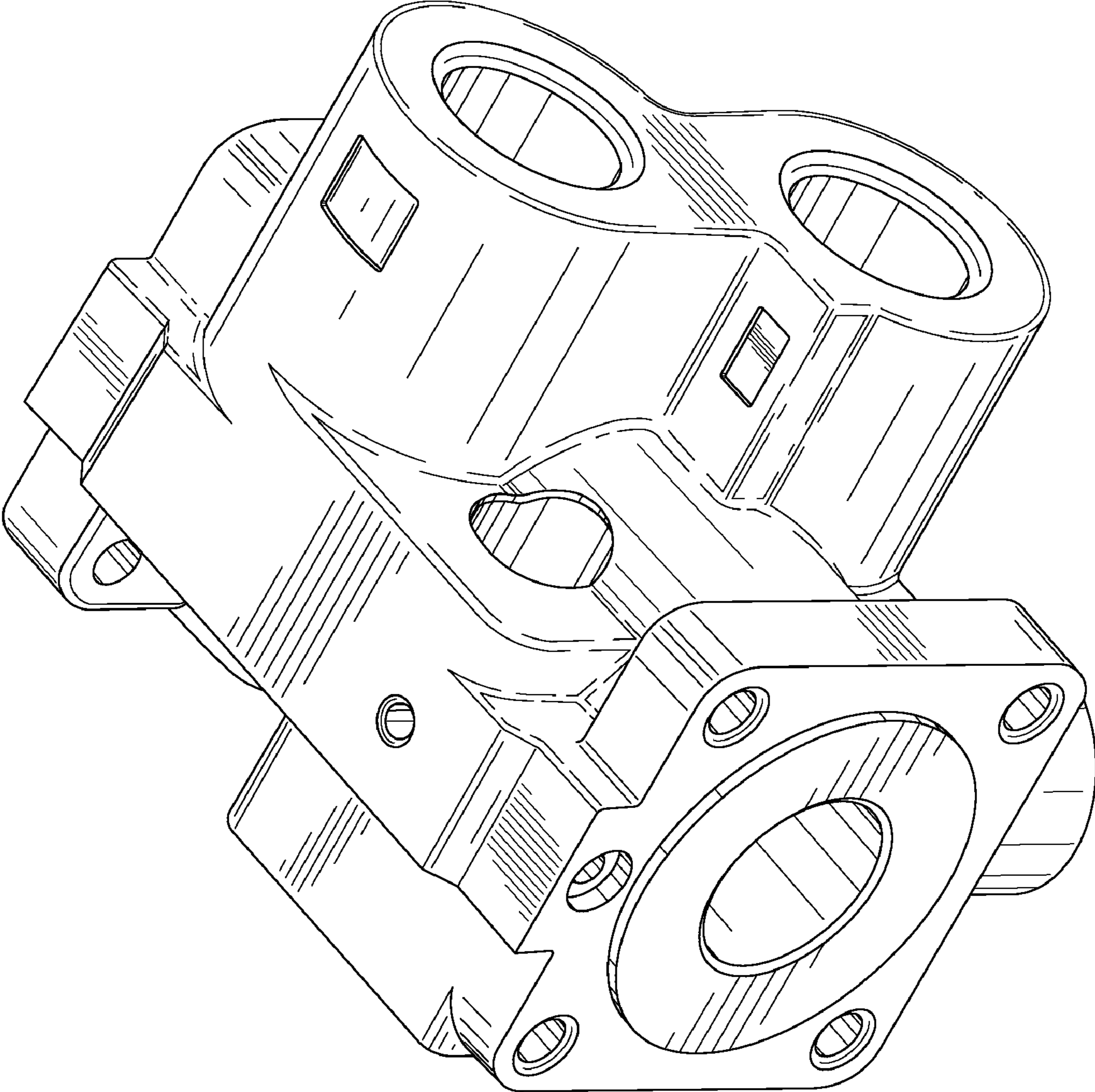




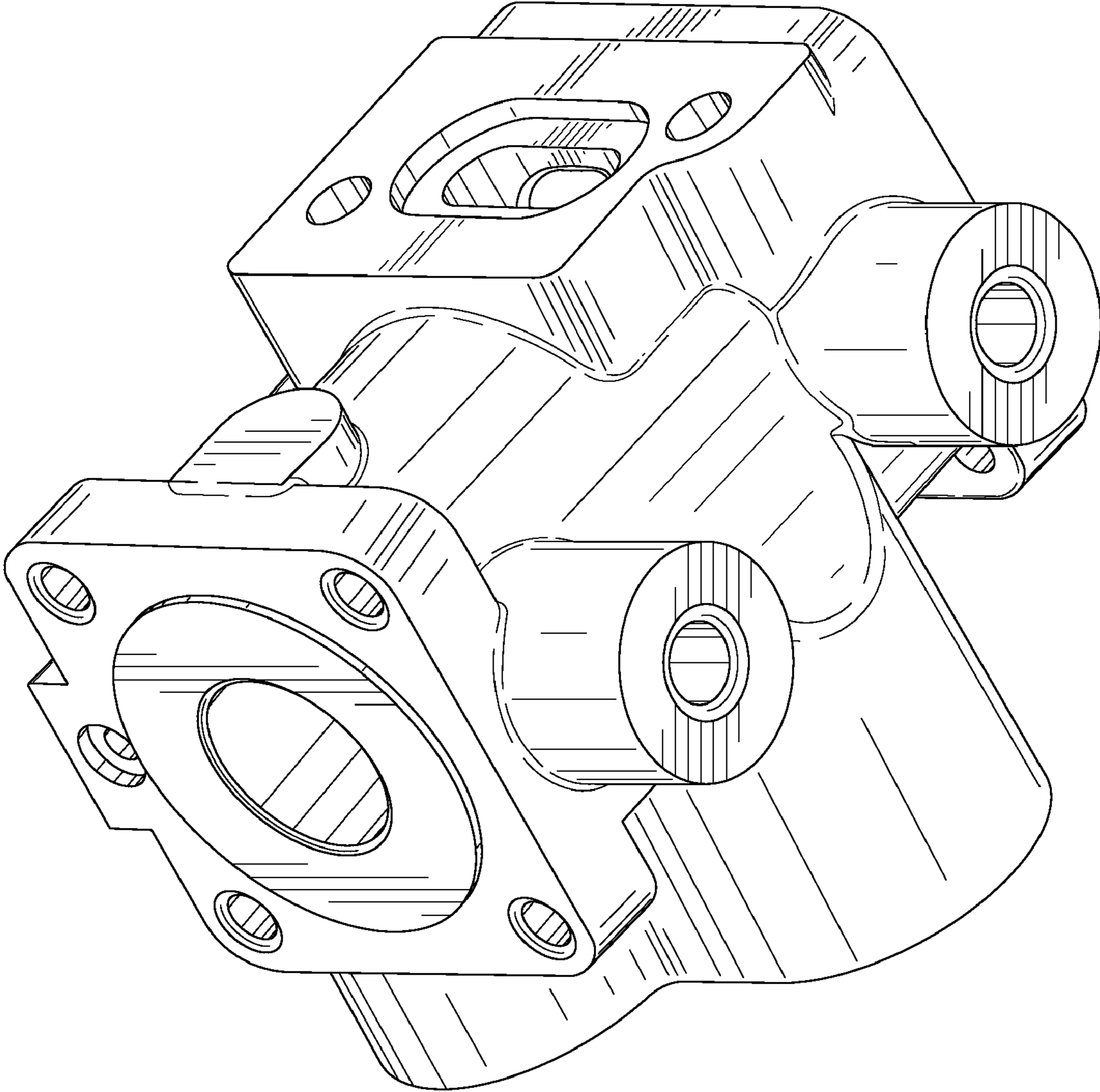
**FIG. 1**



**FIG. 2**



**FIG. 3**



**FIG. 4**

UNITED STATES PATENT AND TRADEMARK OFFICE  
**CERTIFICATE OF CORRECTION**

PATENT NO. : Des. 622,350 S  
APPLICATION NO. : 29/328128  
DATED : August 24, 2010  
INVENTOR(S) : Gramegna et al.

Page 1 of 1

It is certified that error appears in the above-identified patent and that said Letters Patent is hereby corrected as shown below:

On the Title Page, please replace “Regulatory Valve” with --Regulator Valve--.

On the Title page in the Claim, please replace “regulatory valve,” with --regulator valve,--.

On the Title Page in the Description for FIG. 1, please replace “regulatory valve” with --regulator valve--.

Signed and Sealed this

Nineteenth Day of October, 2010



David J. Kappos  
*Director of the United States Patent and Trademark Office*