



US00D622349S

(12) **United States Design Patent**  
**Schmidt et al.**

(10) **Patent No.:** **US D622,349 S**

(45) **Date of Patent:** **\*\* Aug. 24, 2010**

(54) **DETECTOR FOR DETECTING THE ANGULAR POSITION OF A ROTATABLE SHAFT**

4,365,121 A \* 12/1982 Morita et al. .... 200/61.27  
4,663,601 A \* 5/1987 Troutman et al. .... 335/207

(75) Inventors: **Karoline Schmidt**, Esslingen (DE);  
**Eberhard Kunze**, Neuffen (DE)

\* cited by examiner

(73) Assignee: **Festo AG & Co. KG**, Esslingen (DE)

*Primary Examiner*—Cathron C. Brooks

*Assistant Examiner*—Maurice Stevens

(\*\*) Term: **14 Years**

(74) *Attorney, Agent, or Firm*—Hoffmann & Baron, LLP

(21) Appl. No.: **29/312,174**

(57) **CLAIM**

(22) Filed: **Oct. 3, 2008**

The ornamental design for a detector for detecting the angular position of a rotatable shaft, as shown and described.

(30) **Foreign Application Priority Data**

Apr. 7, 2008 (EM) ..... 000 910 187-0001

**DESCRIPTION**

(51) **LOC (9) Cl.** ..... **23-01**

(52) **U.S. Cl.** ..... **D23/233**

(58) **Field of Classification Search** ..... D23/233;  
335/151–154, 205–207, 159, 180, 181; 200/61.27–61.38,  
200/61.54, 5 A, 5 D, 246, 275, 310, 317,  
200/82 E, 83 D; 250/200, 215; 324/174;  
340/870.31; 341/15–17, 183, 192; D15/5  
See application file for complete search history.

FIG. 1 is a top perspective view of a detector for detecting the angular position of a rotatable shaft showing our new design;

FIG. 2 is a top plan view thereof;

FIG. 3 is a bottom plan view thereof;

FIG. 4 is a front view thereof;

FIG. 5 is a rear view thereof;

FIG. 6 is a right view thereof; and,

FIG. 7 is a left view thereof.

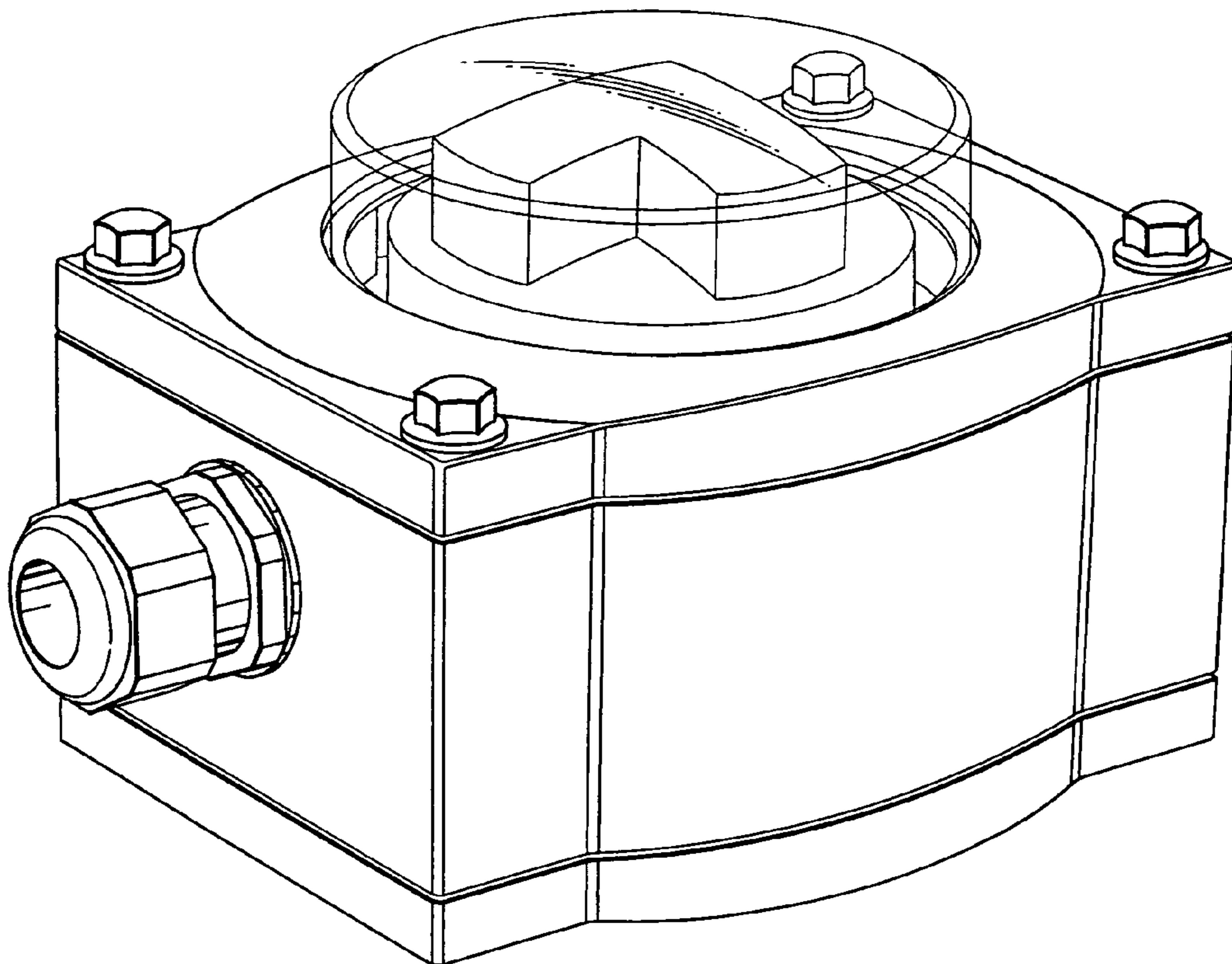
(56) **References Cited**

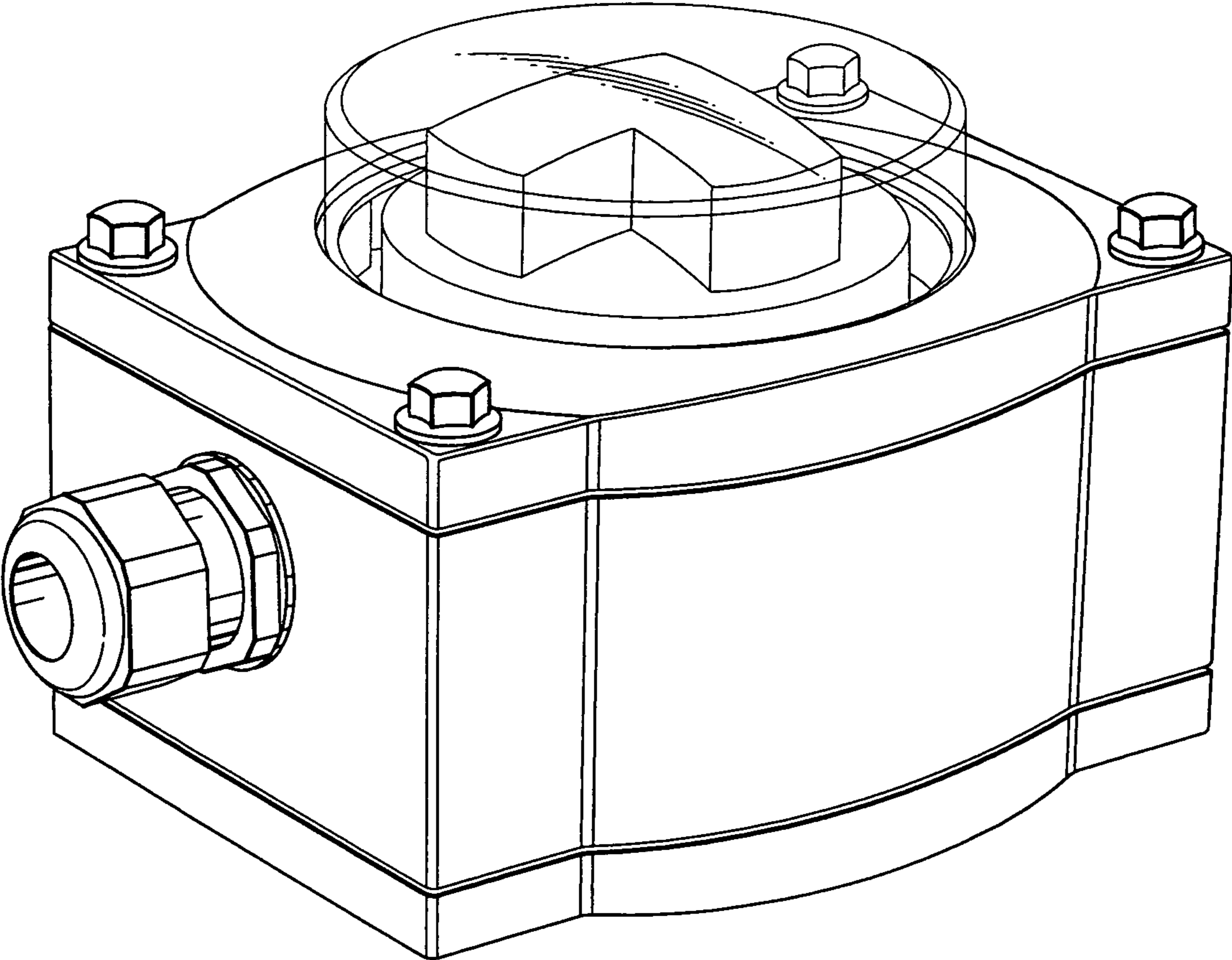
**U.S. PATENT DOCUMENTS**

3,587,013 A \* 6/1971 Dietrich et al. .... 335/210

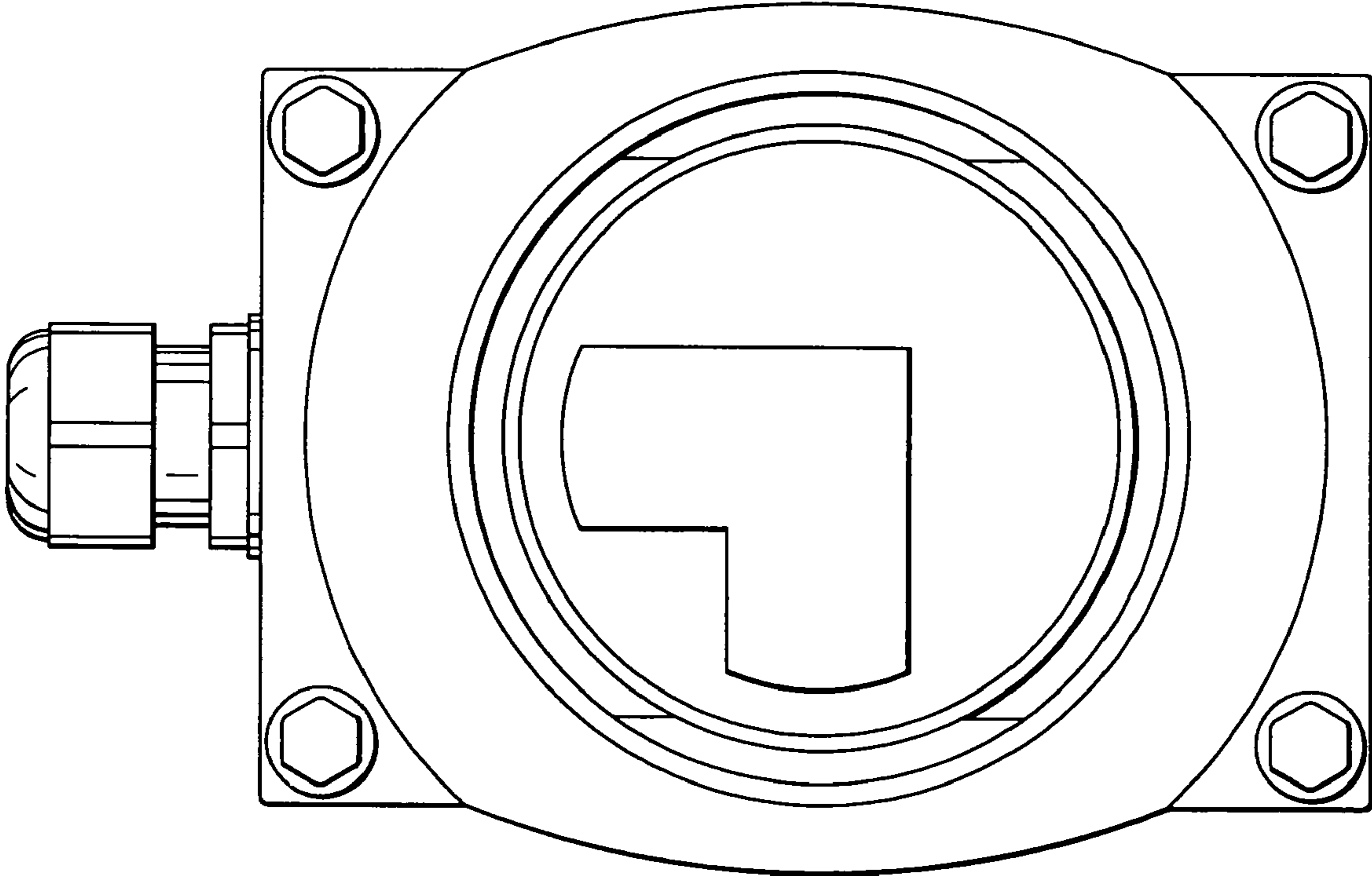
3,934,105 A \* 1/1976 Lockard ..... 200/317

**1 Claim, 7 Drawing Sheets**

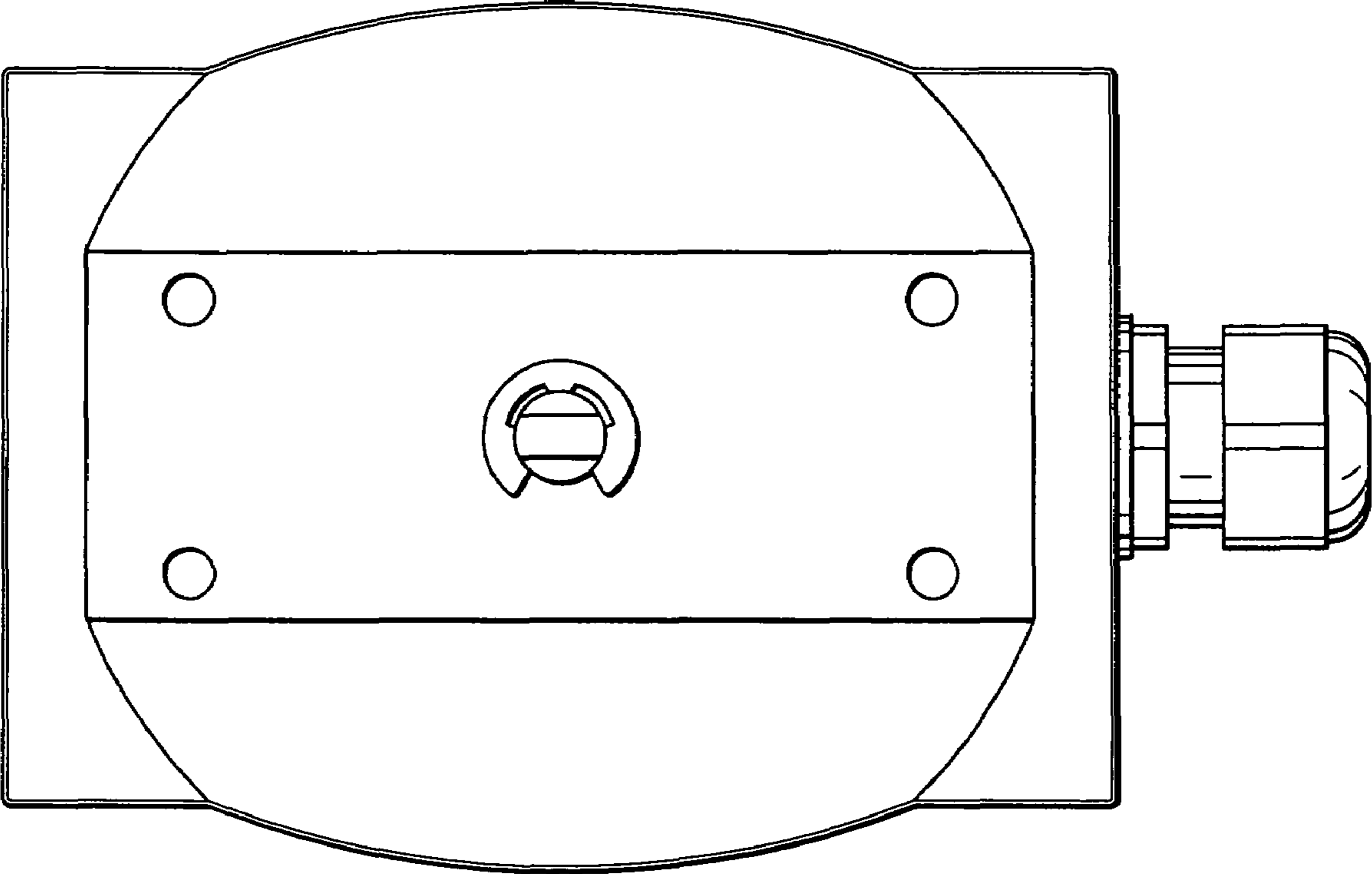




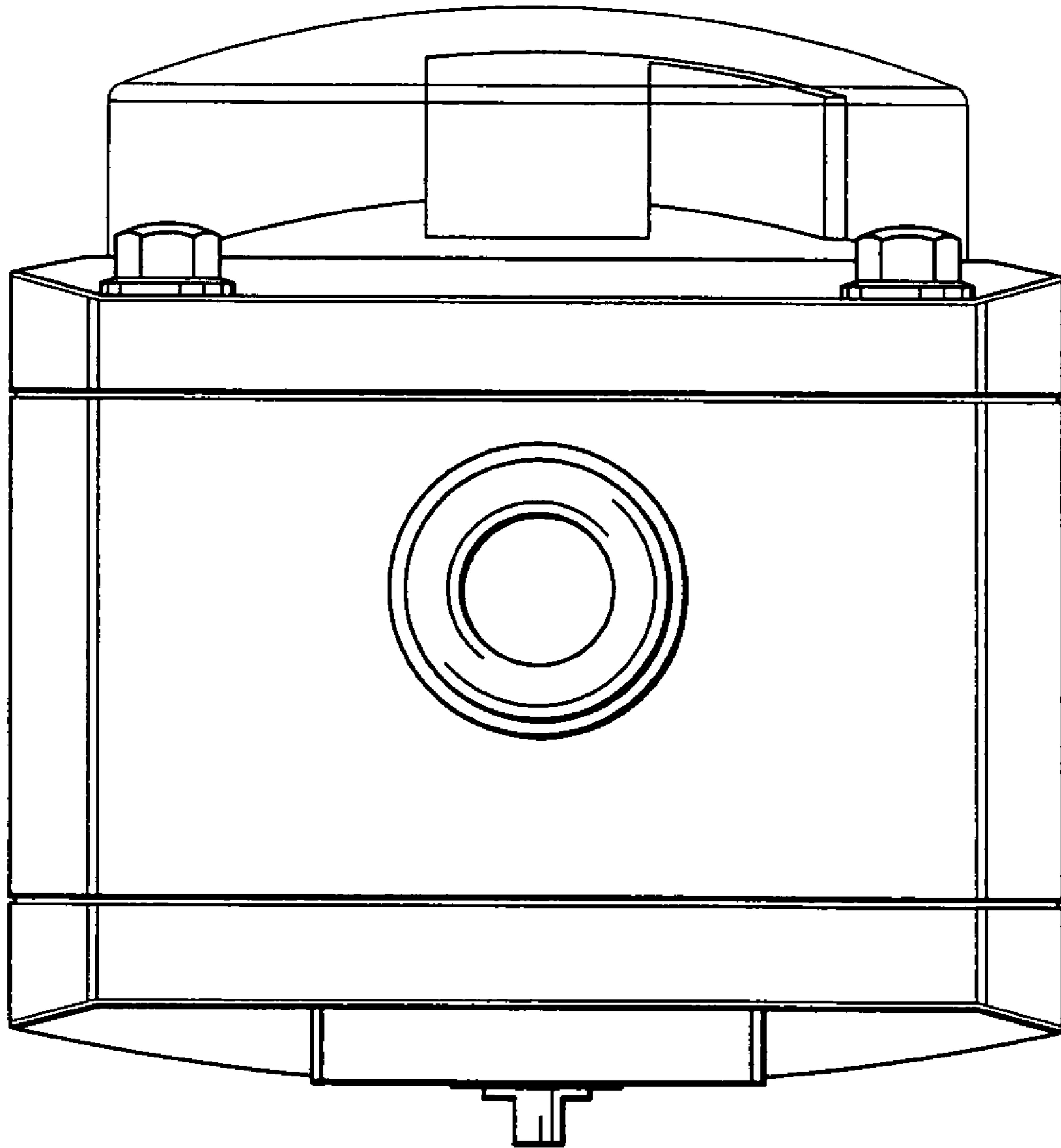
*Fig. 1*



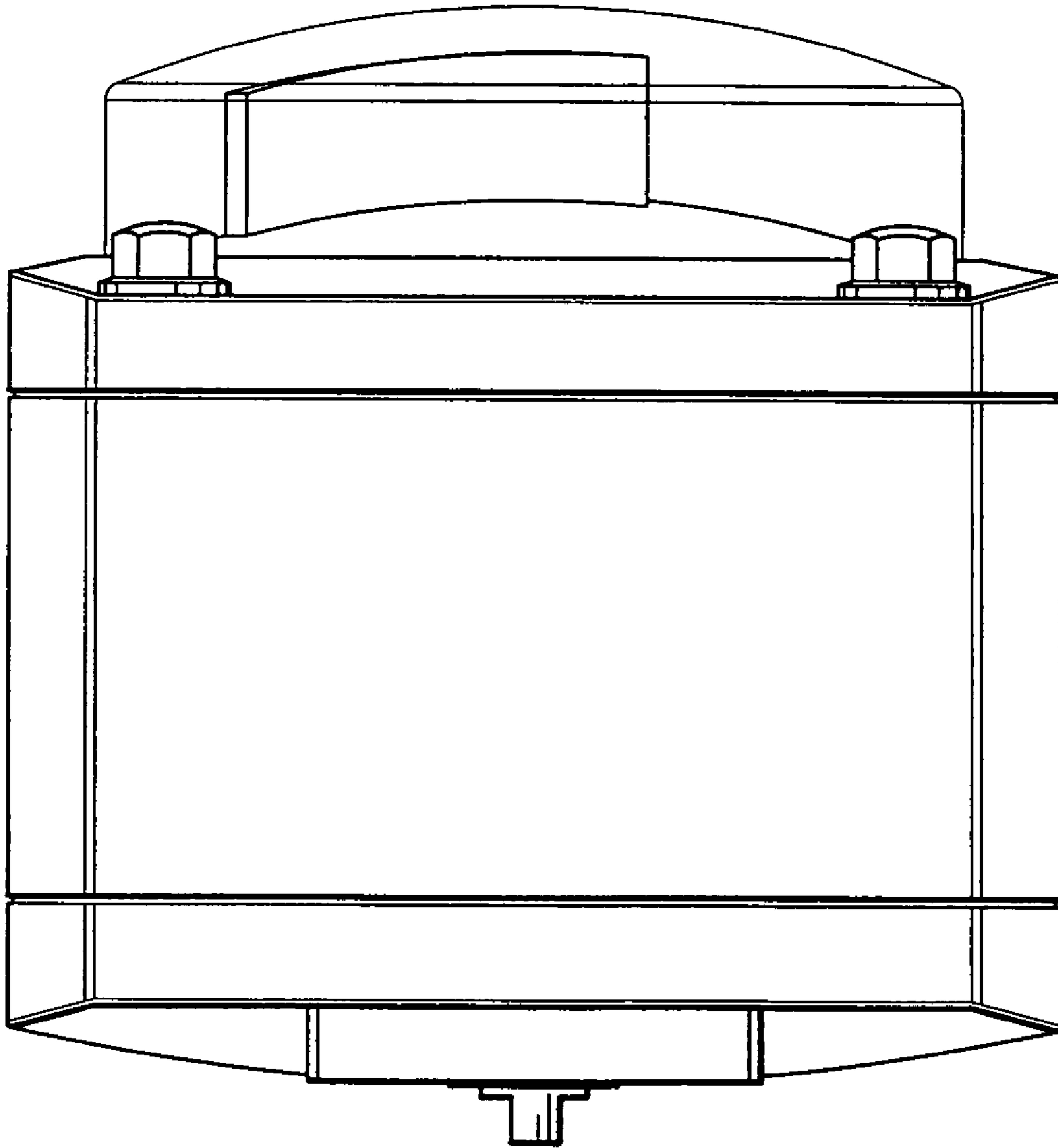
*Fig. 2*



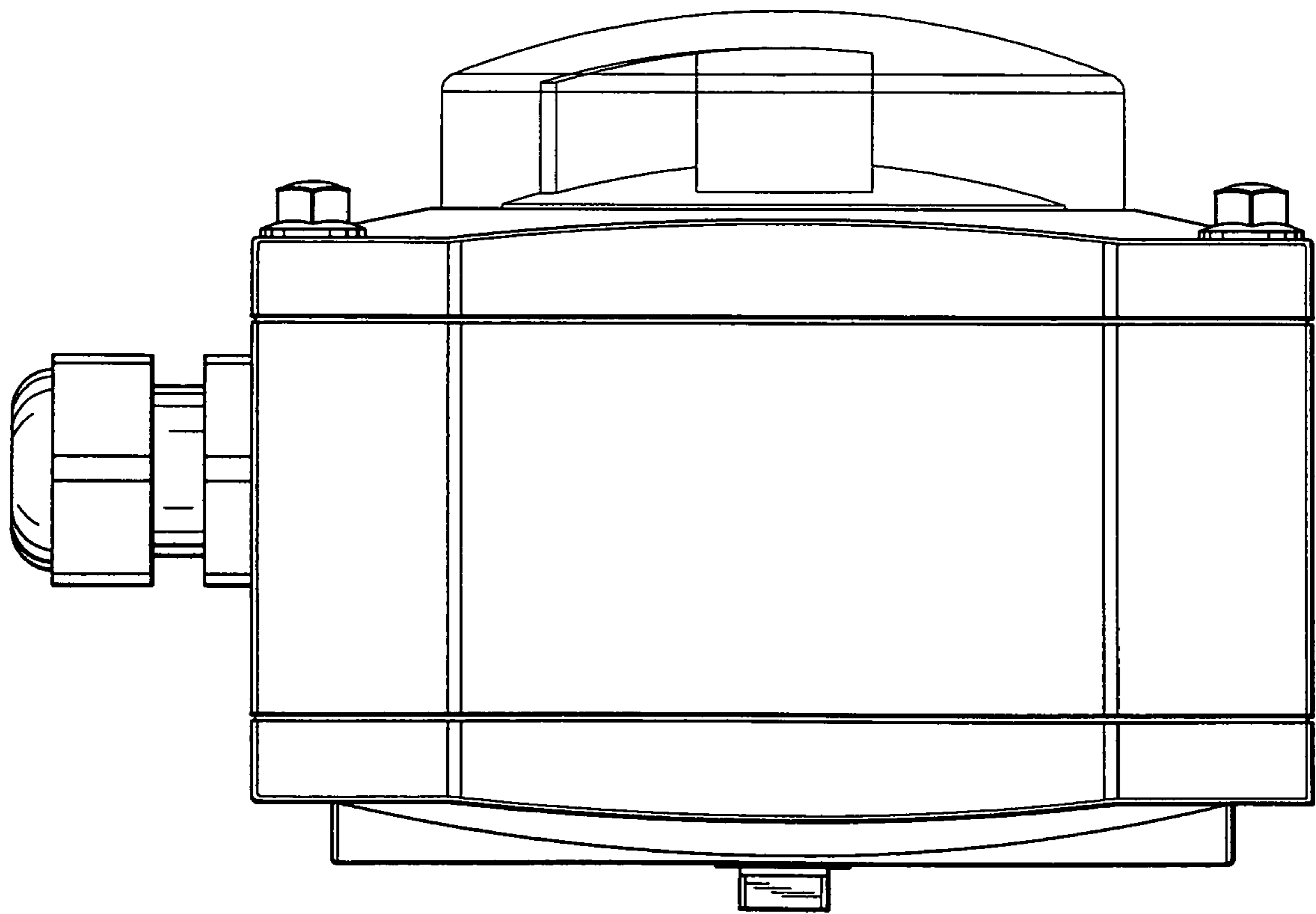
*Fig. 3*



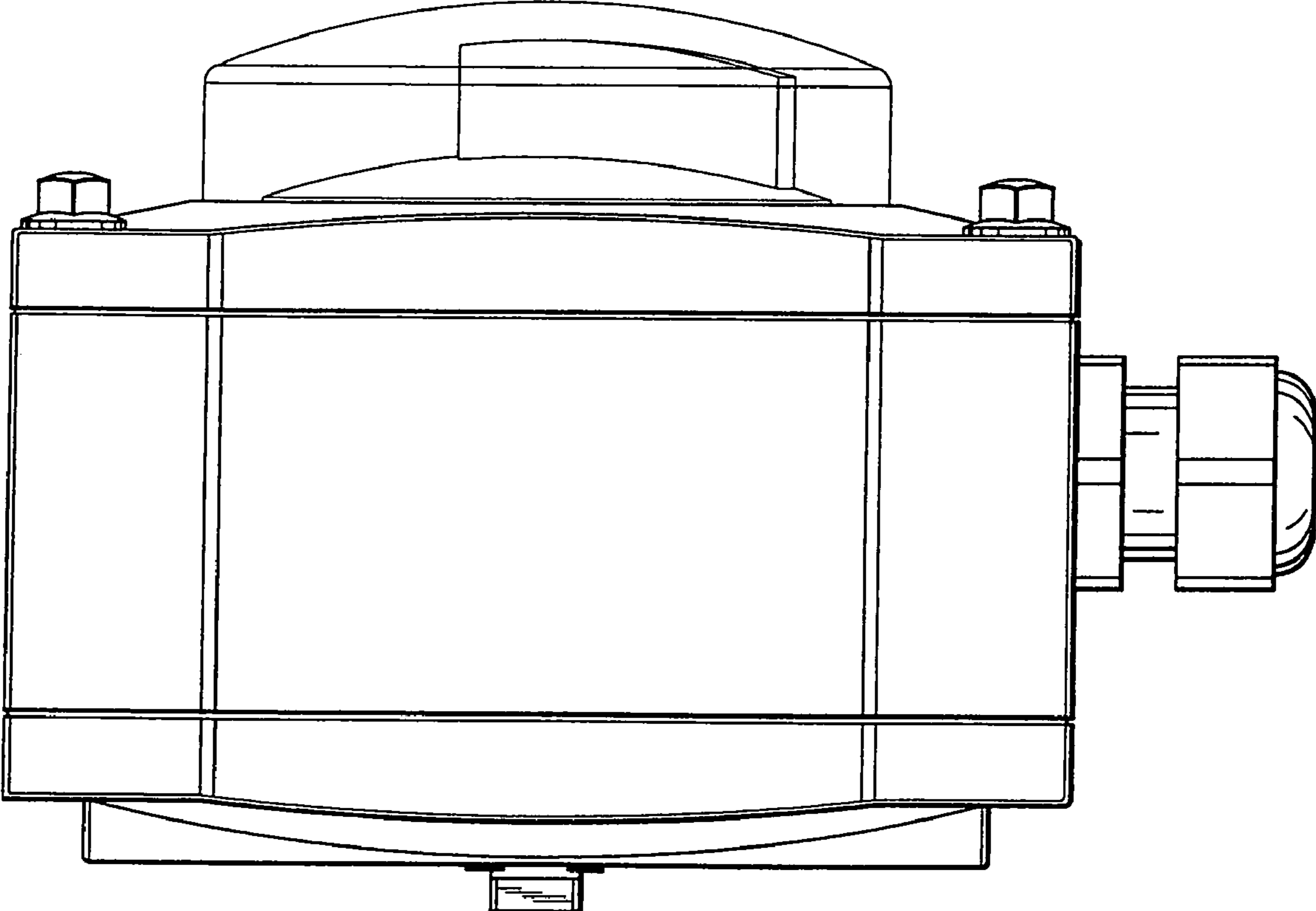
*Fig. 4*



*Fig. 5*



*Fig. 6*



*Fig. 7*