



US00D622348S

(12) **United States Design Patent**
Gaston et al.

(10) **Patent No.:** **US D622,348 S**

(45) **Date of Patent:** **** Aug. 24, 2010**

(54) **FAUCET MOUNT HOUSING**

(75) Inventors: **Johannes Nikolai Gaston**, Minnetonka, MN (US); **Douglas James VanOrnum**, Minnetonka, MN (US); **Jason Alan Born**, Loveland, OH (US); **Richard Paul Riedel**, Mason, OH (US); **William Joseph Cruzen**, Monticello, MN (US)

(73) Assignee: **The Procter & Gamble Company**, Cincinnati, OH (US)

(**) Term: **14 Years**

(21) Appl. No.: **29/338,592**

(22) Filed: **Jun. 15, 2009**

Related U.S. Application Data

(60) Continuation of application No. 29/329,564, filed on Dec. 17, 2008, now Pat. No. Des. 596,705, which is a division of application No. 29/250,521, filed on Nov. 17, 2006, now Pat. No. Des. 586,880.

(51) **LOC (9) Cl.** **23-01**

(52) **U.S. Cl.** **D23/209**

(58) **Field of Classification Search** D23/207–209; 210/460, 461, 449, 235

See application file for complete search history.

(56) **References Cited**

U.S. PATENT DOCUMENTS

2,188,191 A 1/1940 Roos

(Continued)

FOREIGN PATENT DOCUMENTS

DE 296 11 611 U1 3/1996

(Continued)

Primary Examiner—T. Chase Nelson
Assistant Examiner—Ania K Dworzecka

(74) *Attorney, Agent, or Firm*—Cynthia L. Clay; Kim William Zerby

(57) **CLAIM**

The ornamental design for a faucet mount housing, as shown and described.

DESCRIPTION

In addition, applicants wish to cross-reference commonly-owned U.S. patent application Ser. No. 29/250,520 filed Nov. 17, 2006, now U.S. Pat. No. D592,729; U.S. patent application Ser. No. 29/318,924 filed May 30, 2008, now U.S. Pat. No. D591,389; and U.S. patent application Ser. No. 29/250,522 filed Nov. 17, 2006, now U.S. Pat. No. D576,250. Applicants also wish to cross-reference commonly-owned, co-pending U.S. Design application Ser. No. 29/333,732 filed Mar. 13, 2009; U.S. Design application Ser. No. 29/321,501 filed Jul. 17, 2008; U.S. patent application Ser. No. 11/158,937 filed Jun. 22, 2005; U.S. patent application Ser. No. 11/159,423 filed Jun. 22, 2005; and U.S. patent application Ser. No. 11/347,820 filed Feb. 3, 2006.

FIG. 1 is a perspective view of a faucet mount housing illustrating our new design;

FIG. 2 is a front side elevational view of the design of FIG. 1;

FIG. 3 is a back side elevational view of the design of FIG. 1;

FIG. 4 is a left side elevational view of the design of FIG. 1;

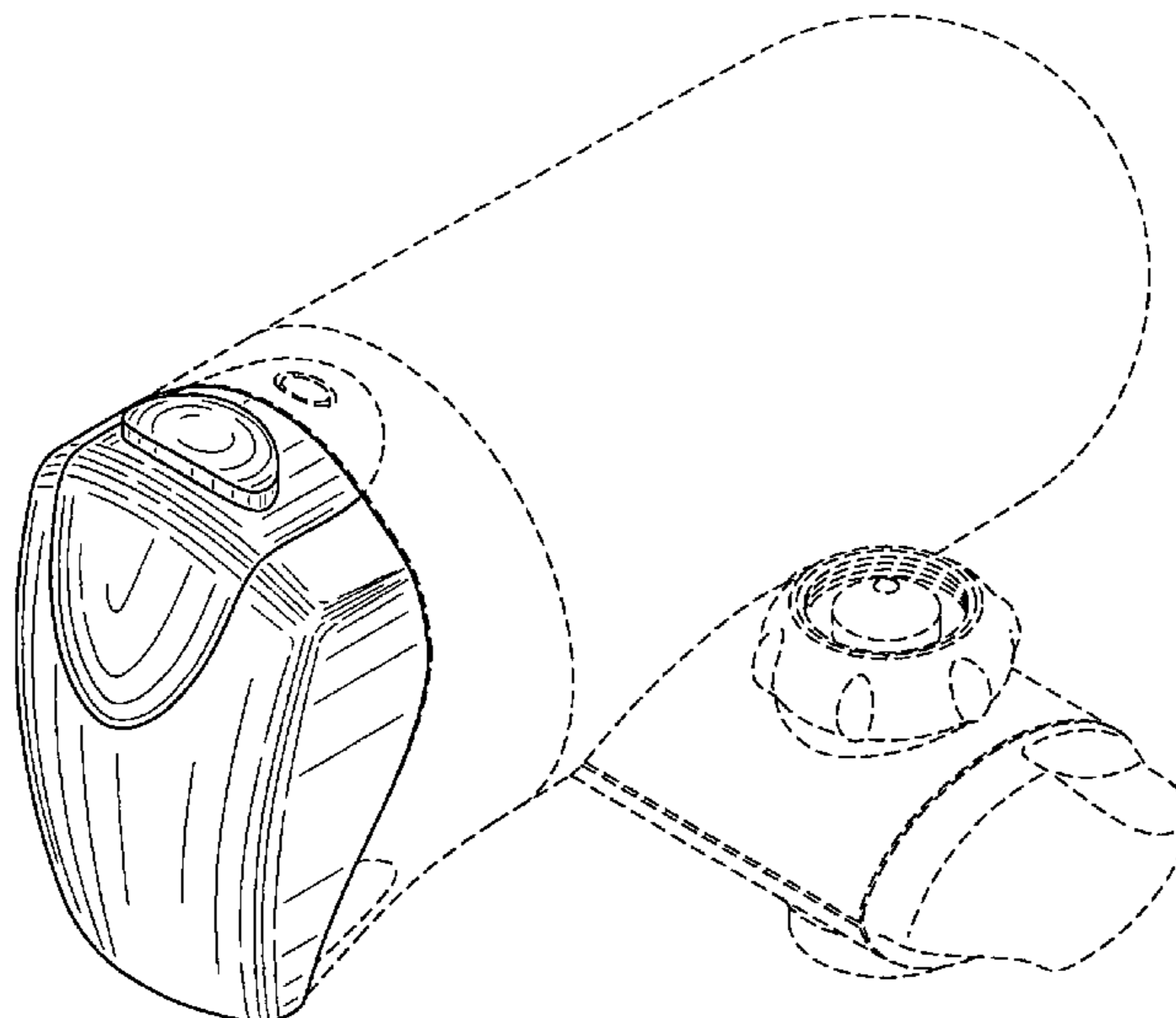
FIG. 5 is a right side elevational view of the design of FIG. 1;

FIG. 6 is a top planar view of the design of FIG. 1; and,

FIG. 7 is a bottom planar view of the design of FIG. 1.

In the drawings, the broken lines depict environmental subject matter only and form no part of the claimed design.

1 Claim, 6 Drawing Sheets



US D622,348 S

U.S. PATENT DOCUMENTS

D136,098 S	8/1943	Hartman	6,123,837 A	9/2000	Wadsworth et al.		
2,550,132 A	4/1951	Woods	D432,204 S	10/2000	Brady		
2,684,787 A	7/1954	Charpiat	D438,592 S	3/2001	Gaston et al.		
2,823,833 A	2/1958	Bauerlein	6,220,490 B1	4/2001	O'Hara		
2,894,377 A	7/1959	Shikles, Jr. et al.	6,221,416 B1	4/2001	Nohren, Jr.		
3,240,395 A	3/1966	Carver	D453,952 S	2/2002	Gaston et al.		
3,266,672 A	8/1966	Dean	6,372,270 B1	4/2002	Denny		
3,280,591 A	10/1966	Webster	6,409,099 B1	6/2002	Goodwin et al.		
3,292,822 A	12/1966	Crowder et al.	6,419,166 B1	7/2002	Brzezinski et al.		
3,299,663 A	1/1967	Butcher	6,482,451 B1	11/2002	Baron		
3,312,083 A	4/1967	Scoggins et al.	6,497,348 B2	12/2002	Forsman et al.		
3,321,097 A	5/1967	Solowey	D470,052 S	2/2003	Klutts		
3,769,977 A	11/1973	Victory	6,517,878 B2	2/2003	Heczko		
3,784,008 A	1/1974	Troglione	D472,604 S	4/2003	Fritze		
3,974,847 A	8/1976	Hodges	6,540,070 B1	4/2003	Conwell		
4,173,296 A	11/1979	Marshall	6,569,329 B1	5/2003	Nohren, Jr.		
4,196,817 A	4/1980	Moser	D479,466 S	9/2003	Bremner et al.		
4,306,667 A	12/1981	Sedam et al.	6,651,824 B2	11/2003	Miller		
4,335,837 A	6/1982	Bono	6,652,893 B2	11/2003	Berson		
4,440,318 A	4/1984	Berger	D484,567 S	12/2003	Gaston et al.		
4,493,441 A	1/1985	Sedam et al.	6,959,839 B2	11/2005	Roth et al.		
4,496,080 A	1/1985	Farber et al.	7,018,531 B2	3/2006	Eilers et al.		
4,526,730 A	7/1985	Cochran et al.	D521,863 S	5/2006	Davis et al.		
4,566,287 A	1/1986	Schmidt et al.	D533,622 S	12/2006	Ross et al.		
4,610,145 A	9/1986	Arzberger et al.	D541,371 S	4/2007	McKay		
4,627,554 A	12/1986	Leibinsohn	D542,374 S	5/2007	Green et al.		
4,629,098 A	12/1986	Eger	D543,469 S	5/2007	Py et al.		
4,632,275 A	12/1986	Parks	D546,113 S	7/2007	Ruoff		
4,633,678 A	1/1987	Lea et al.	2003/0019764 A1	1/2003	Baldwin et al.		
4,635,824 A	1/1987	Gaunt et al.	2003/0034285 A1*	2/2003	Hembree 210/87		
4,651,905 A	3/1987	Hayes	2003/0234212 A1	12/2003	Ito et al.		
4,660,741 A	4/1987	Kirschner et al.	2004/0129617 A1	7/2004	Tanner et al.		
4,674,656 A	6/1987	Wiley et al.	2004/0161504 A1	8/2004	Daniels et al.		
4,676,283 A	6/1987	Caldwell	2004/0262328 A1	12/2004	Nilsen		
4,703,770 A	11/1987	Arzberger et al.	2005/0035054 A1	2/2005	Chu		
4,708,266 A	11/1987	Rudick	2005/0040092 A1	2/2005	Eilers et al.		
4,750,645 A	6/1988	Wilson et al.	2005/0051494 A1	3/2005	Na et al.		
4,752,018 A	6/1988	Rudick et al.	2005/0098485 A1	5/2005	Boyd et al.		
4,852,781 A	8/1989	Shurnick et al.	2005/0127101 A1	6/2005	Roth et al.		
4,958,629 A	9/1990	Peace et al.	2005/0133420 A1	6/2005	Rinker et al.		
5,060,833 A	10/1991	Edison et al.	2005/0258082 A1	11/2005	Lund et al.		
5,096,095 A	3/1992	Burton	2006/0006107 A1	1/2006	Olson et al.		
5,114,048 A	5/1992	Minke	2006/0021919 A1	2/2006	Olson et al.		
5,146,870 A	9/1992	Eyas	2006/0032795 A1	2/2006	Warren et al.		
5,211,973 A	5/1993	Nohren, Jr.	2006/0191824 A1	8/2006	Arett et al.		
5,215,231 A	6/1993	Paczonay	2006/0207920 A1	9/2006	Lackey et al.		
5,772,017 A	6/1998	Kang	2006/0266683 A1	11/2006	Sung		
D399,423 S	10/1998	Palestrant					
D405,157 S	2/1999	Hayes et al.					
5,922,378 A	7/1999	Kagan et al.					
5,928,504 A	7/1999	Hembre et al.					
5,976,362 A	11/1999	Wadsworth et al.					
5,993,648 A	11/1999	Hunter et al.					
6,024,012 A	2/2000	Luzenberg, Jr.					

FOREIGN PATENT DOCUMENTS

JP	01027458 A	1/1989	
JP	08113295 A	7/1996	
WO	91-17949	11/1991	
WO	2004013047 A2	8/2003	
WO	2005000079 A1	6/2004	

* cited by examiner

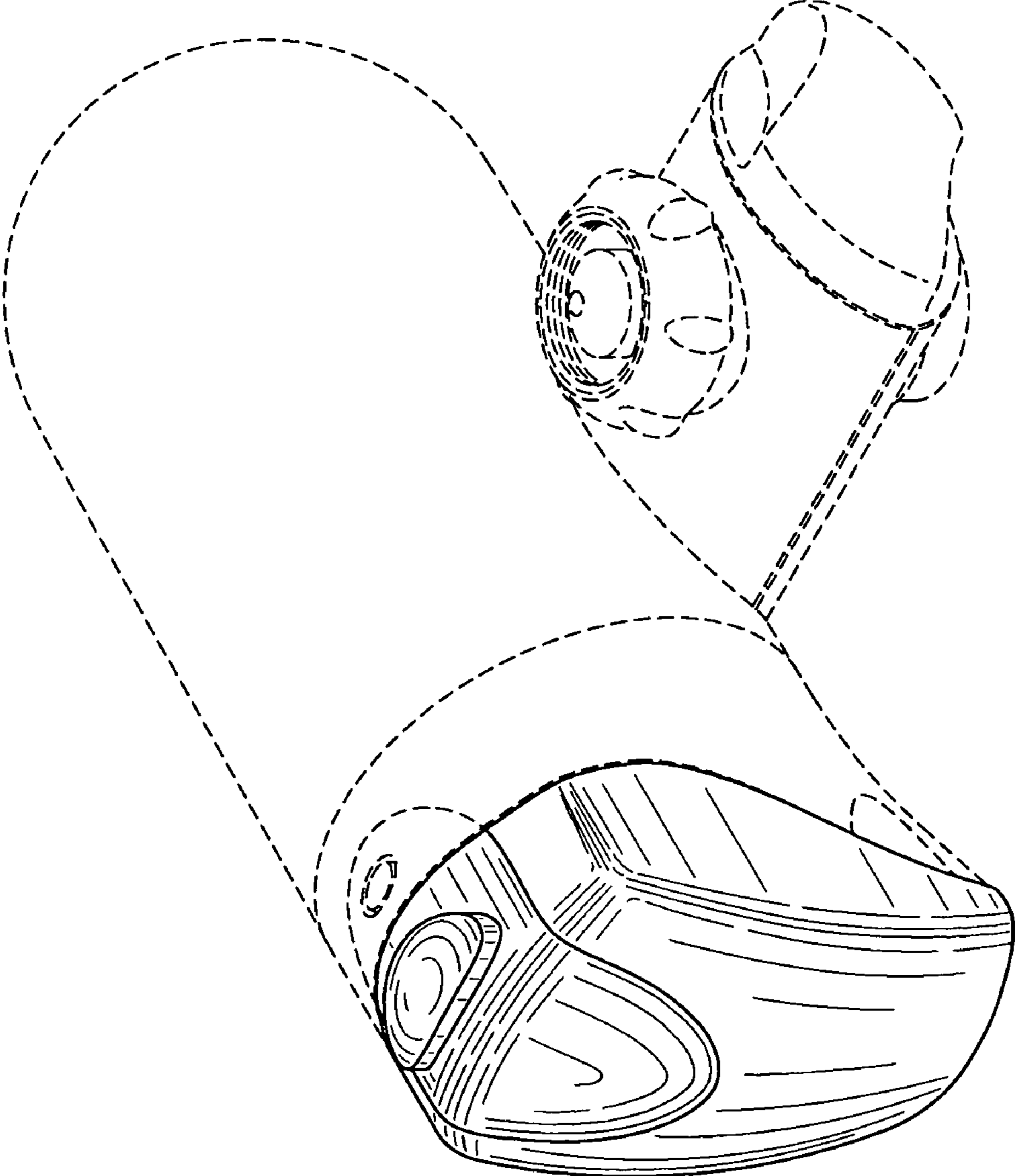


FIG. 1

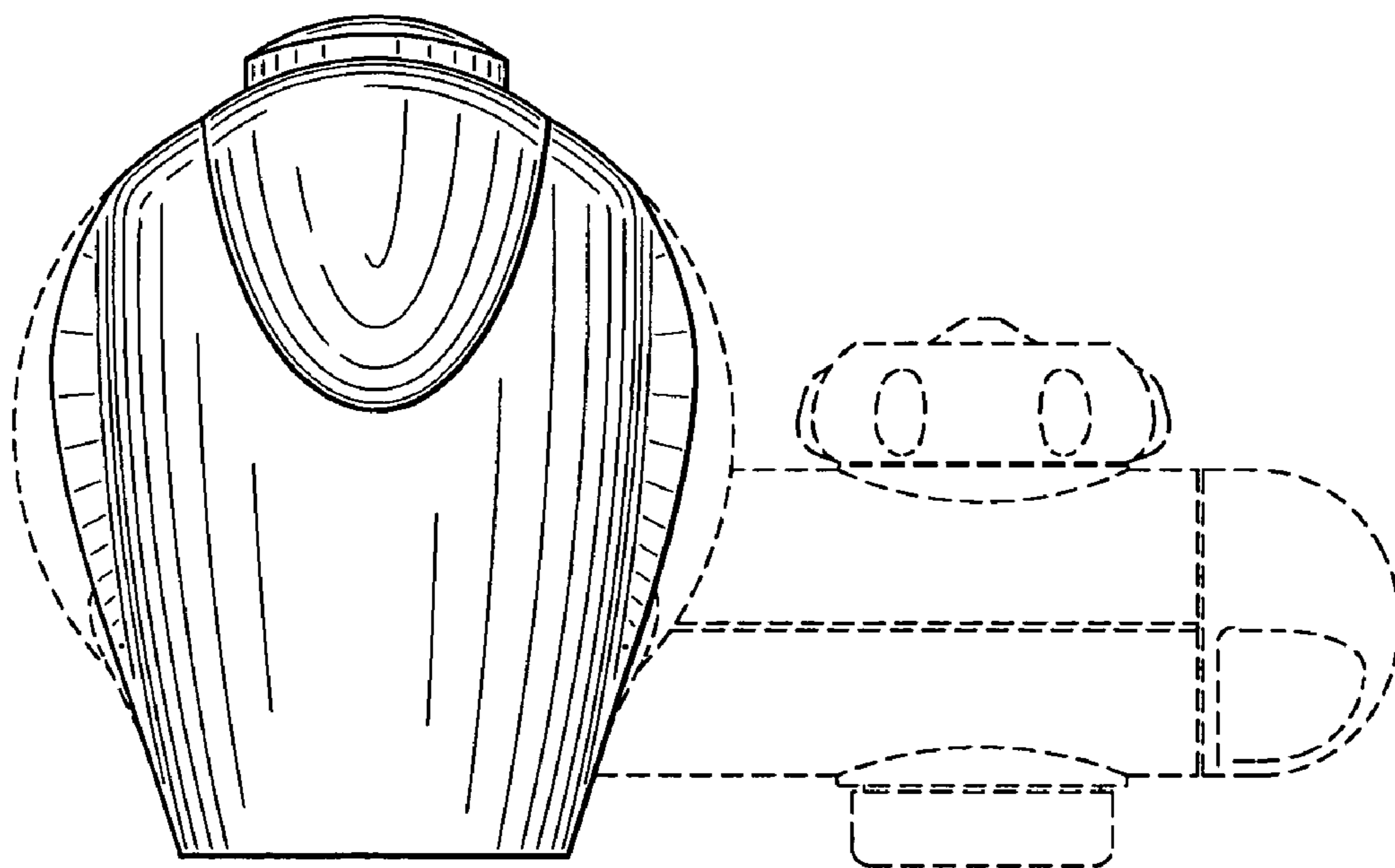


FIG. 2

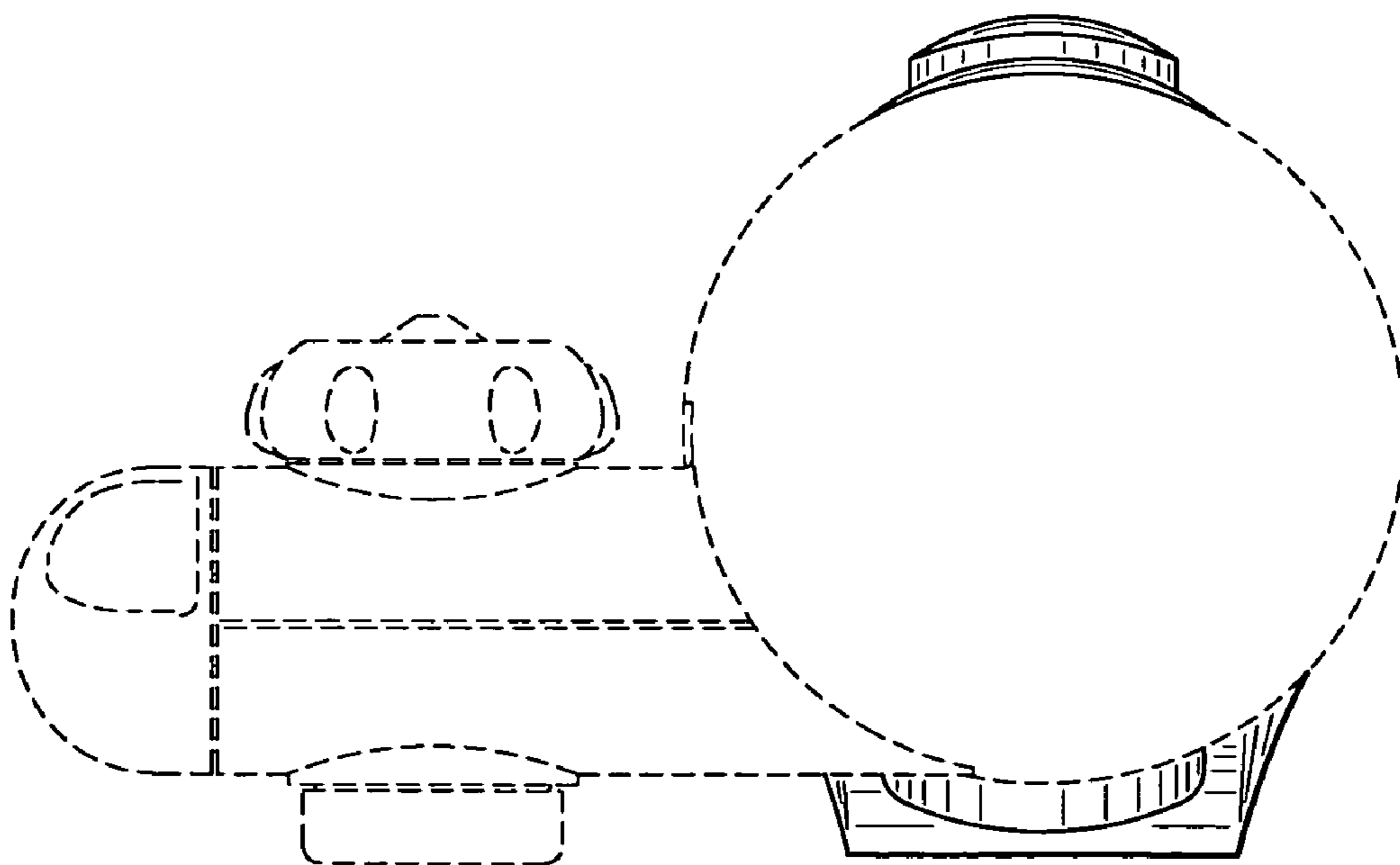


FIG. 3

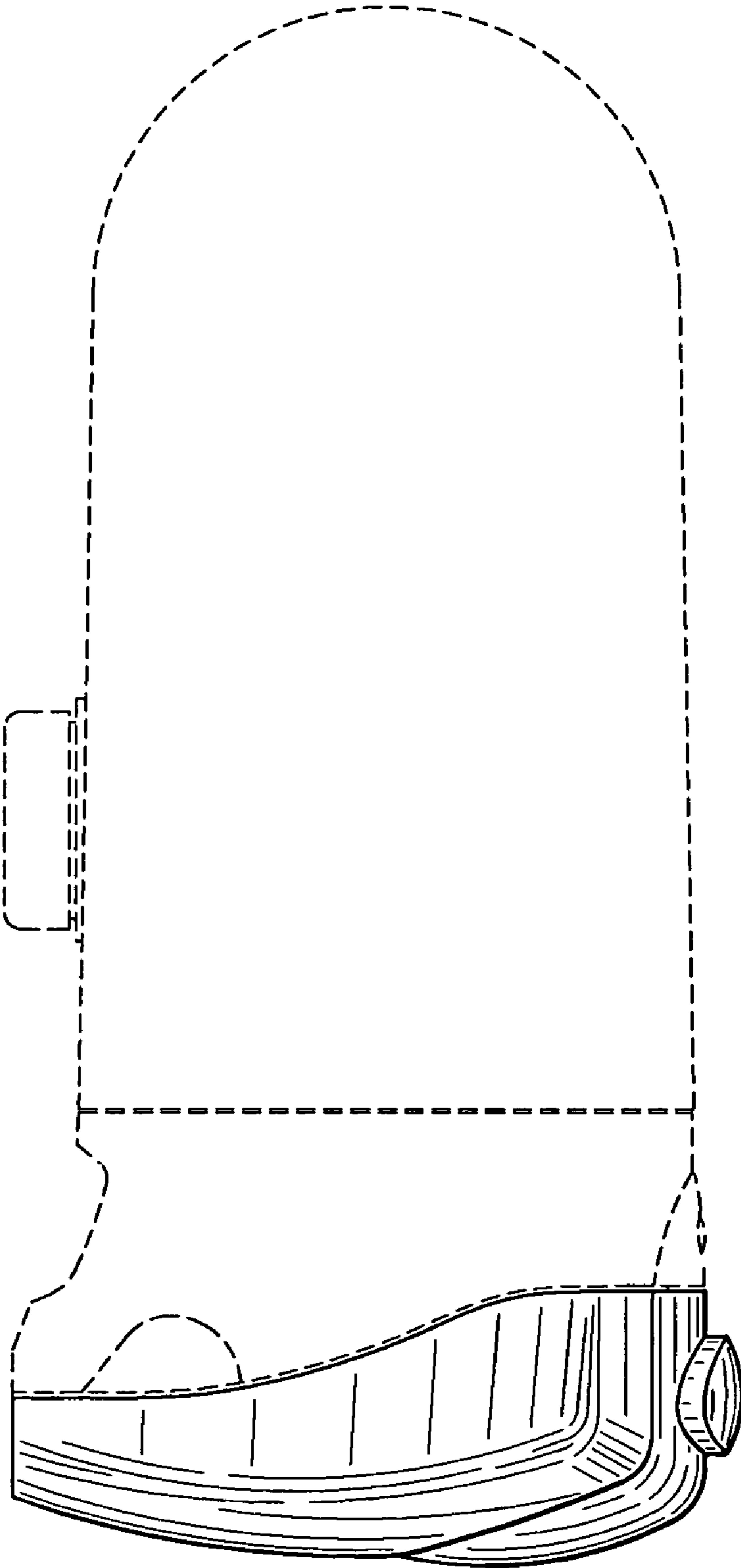


FIG. 4

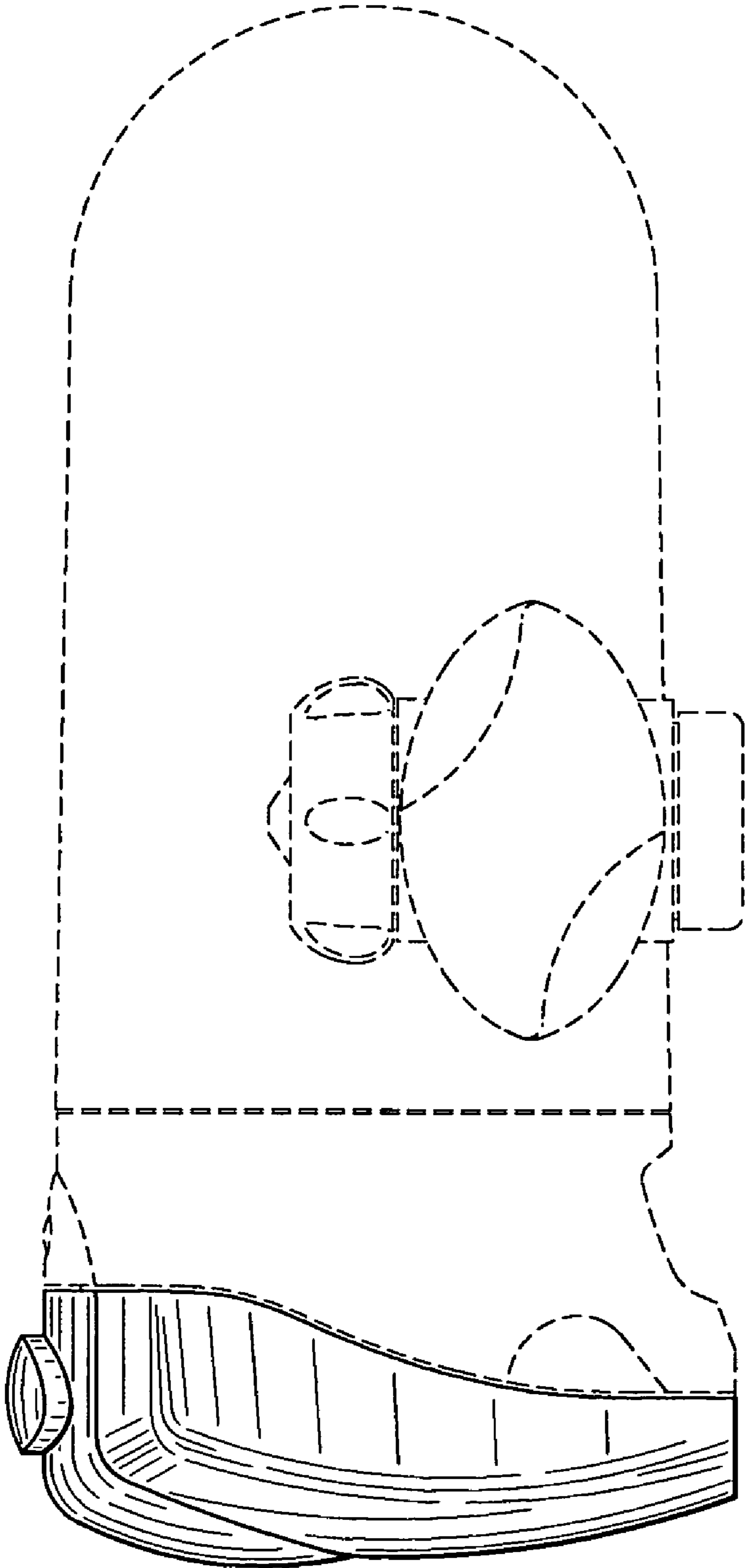


FIG. 5

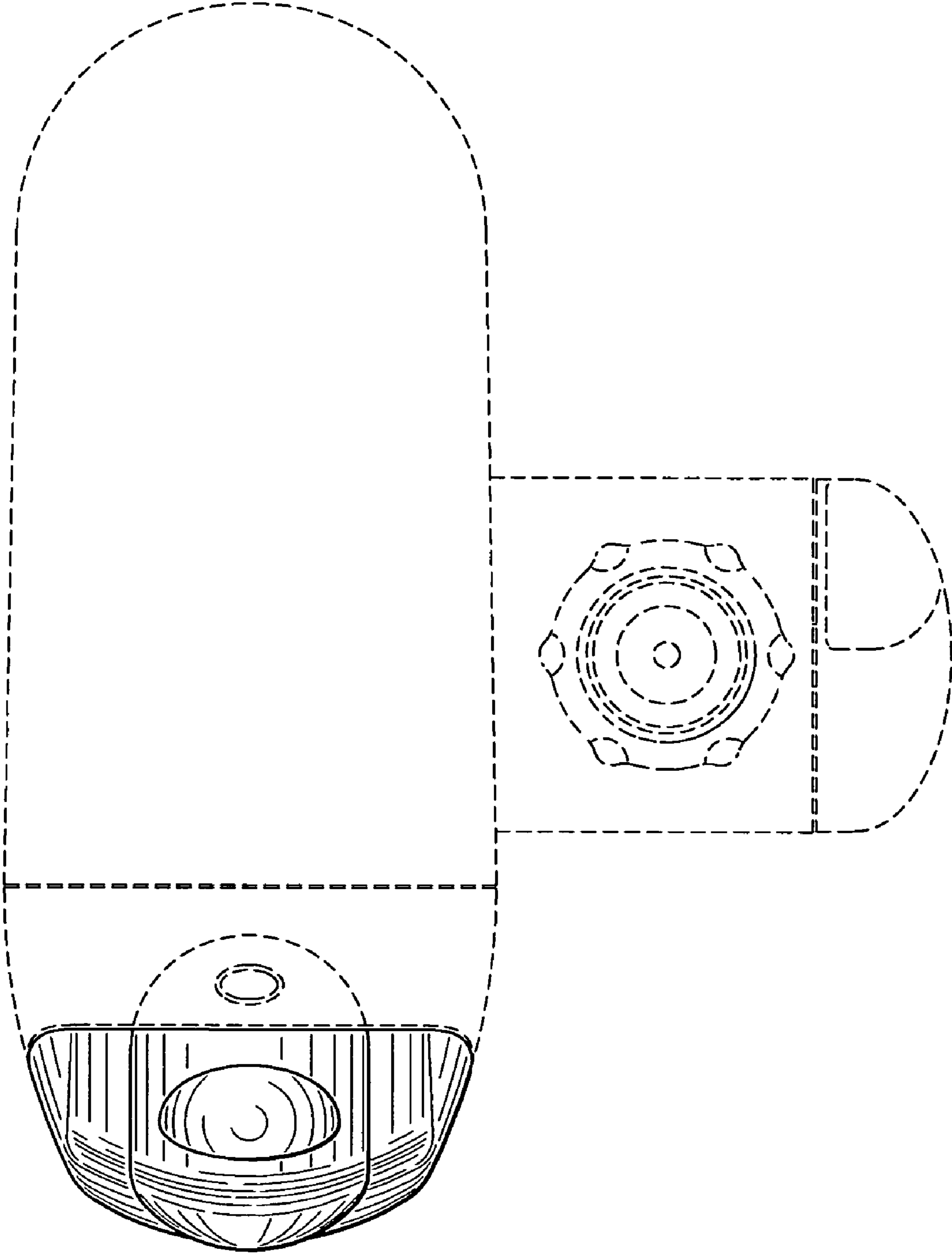


FIG. 6

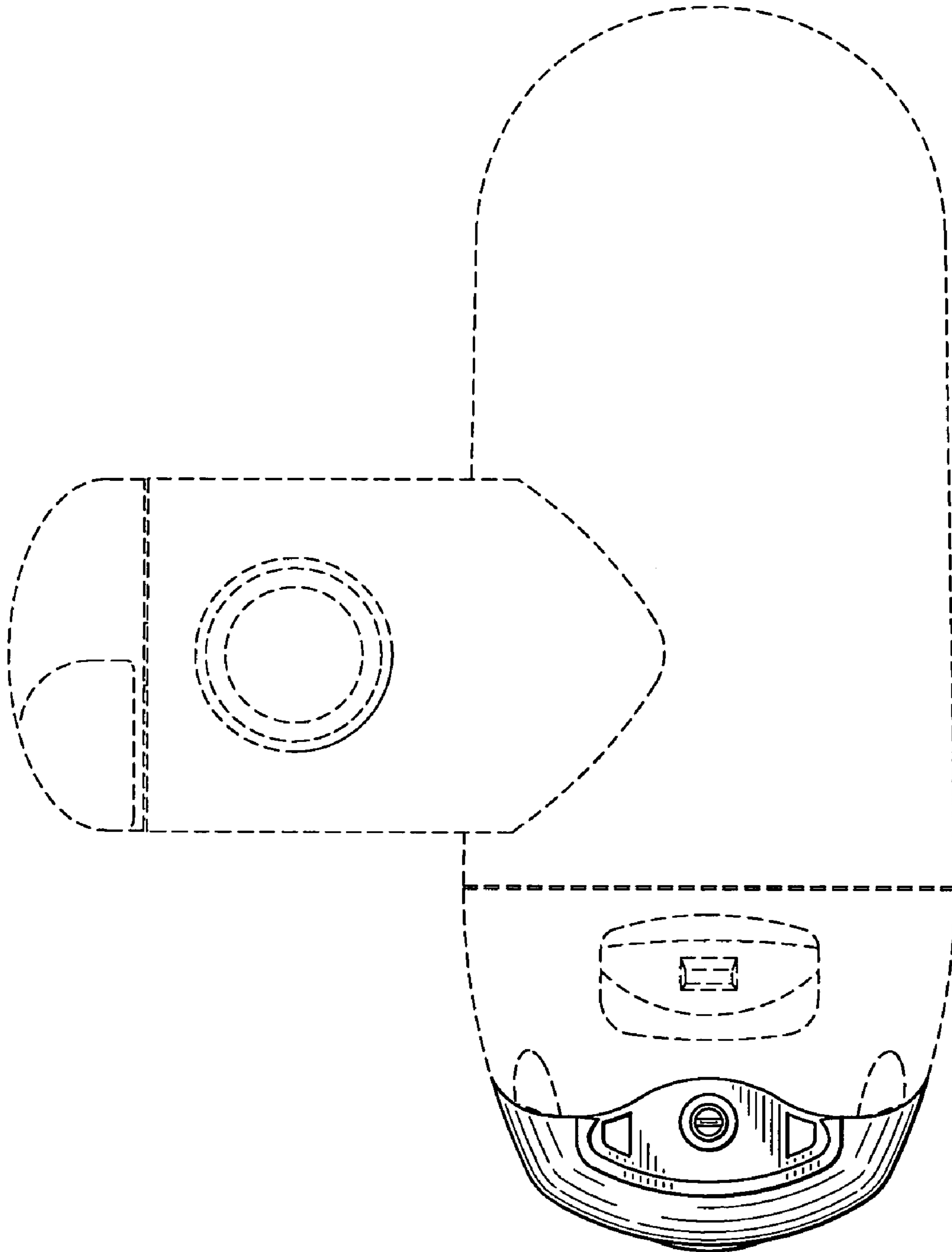


FIG. 7