



US00D622347S

(12) **United States Design Patent**  
**Adey**

(10) **Patent No.:** **US D622,347 S**

(45) **Date of Patent:** **\*\* Aug. 24, 2010**

(54) **MAGNETIC SEPARATOR FOR WATER SYSTEMS**

(75) Inventor: **Christopher Adey**, Cheltenham (GB)

(73) Assignee: **Adey Holdings (2008) Limited** (GB)

(\*\*) Term: **14 Years**

(21) Appl. No.: **29/346,838**

(22) Filed: **Nov. 6, 2009**

(51) **LOC (9) Cl.** ..... **23-01**

(52) **U.S. Cl.** ..... **D23/207**

(58) **Field of Classification Search** ..... D23/207,  
D23/209; 210/222, 223; 209/39

See application file for complete search history.

(56) **References Cited**

**U.S. PATENT DOCUMENTS**

7,073,668 B2 \* 7/2006 Alford et al. .... 209/216

7,300,580 B2 \* 11/2007 Lindsey et al. .... 210/222

\* cited by examiner

*Primary Examiner*—Robin V Webster

(74) *Attorney, Agent, or Firm*—Fleit Gibbons Gutman  
Bongini & Bianco, PL; Paul D. Bianco; Martin Fleit

(57) **CLAIM**

The ornamental design for a magnetic separator for water systems, as shown and described.

**DESCRIPTION**

FIG. 1 is a perspective view of a magnetic separator for water systems according to the invention;

FIG. 2 is a front view;

FIG. 3 is a rear view;

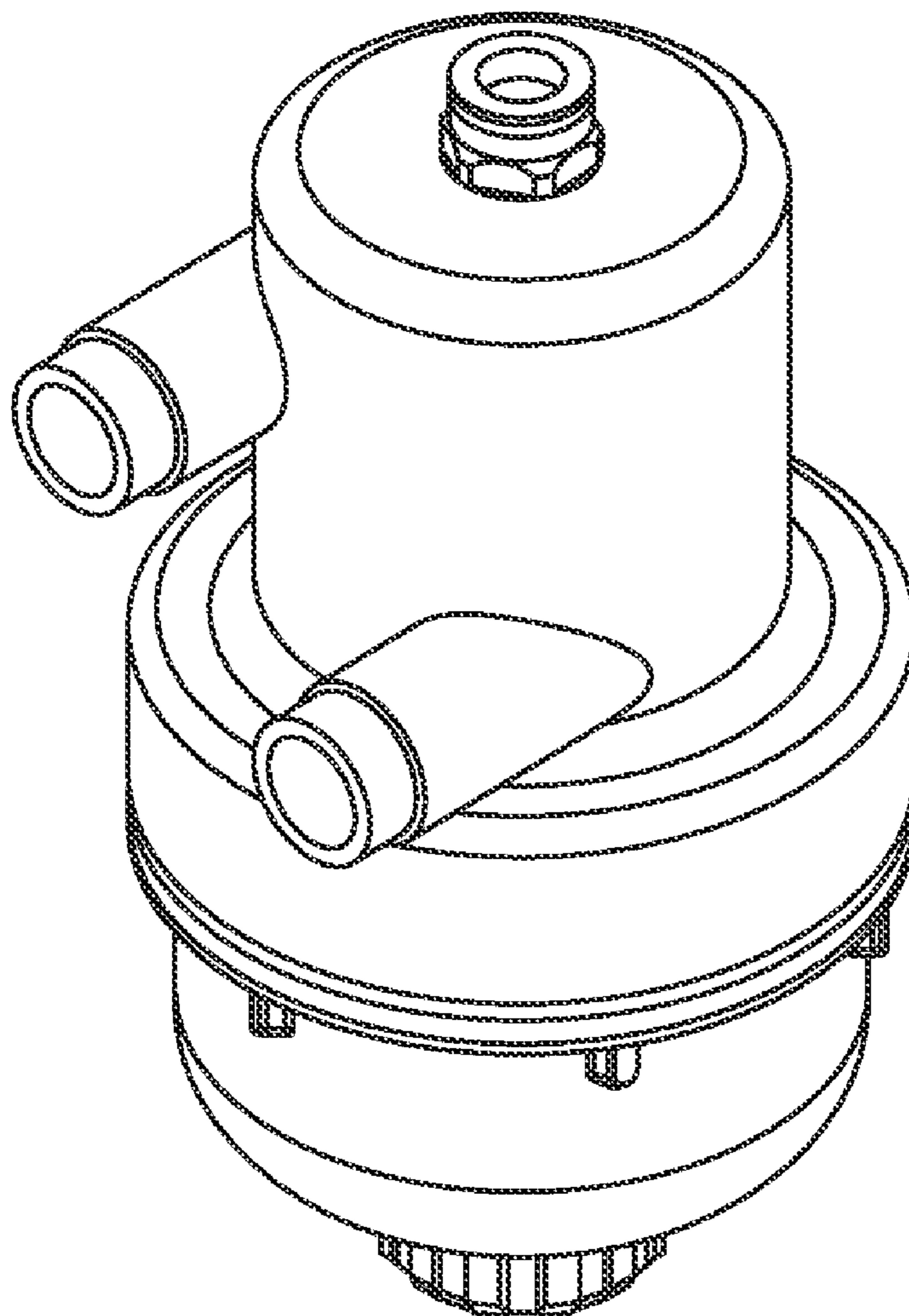
FIG. 4 is a view from one side;

FIG. 5 is a view from a side opposite the side of FIG. 4;

FIG. 6 is a plan view from above; and,

FIG. 7 is a plan view from below.

**1 Claim, 4 Drawing Sheets**



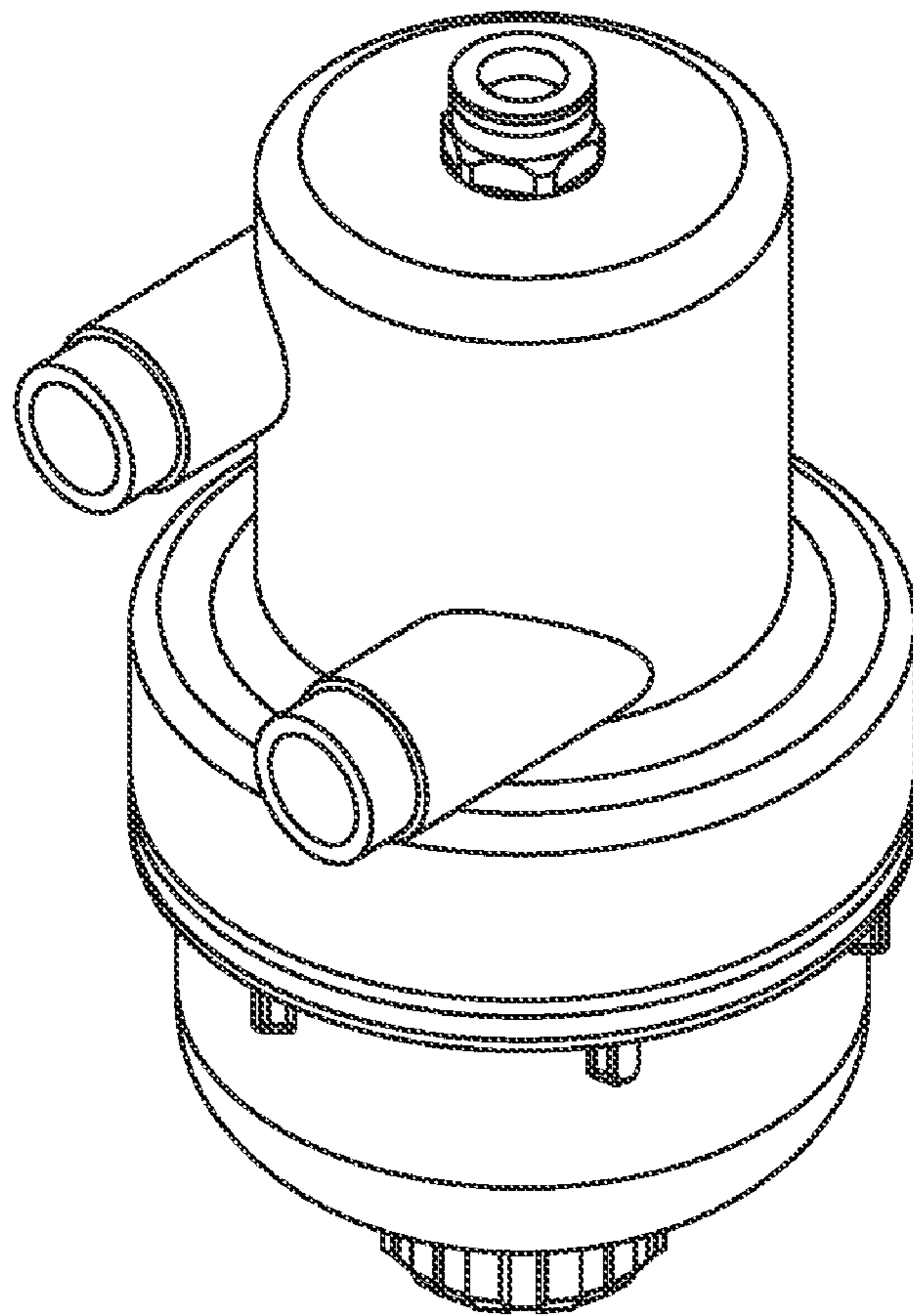


Figure 1

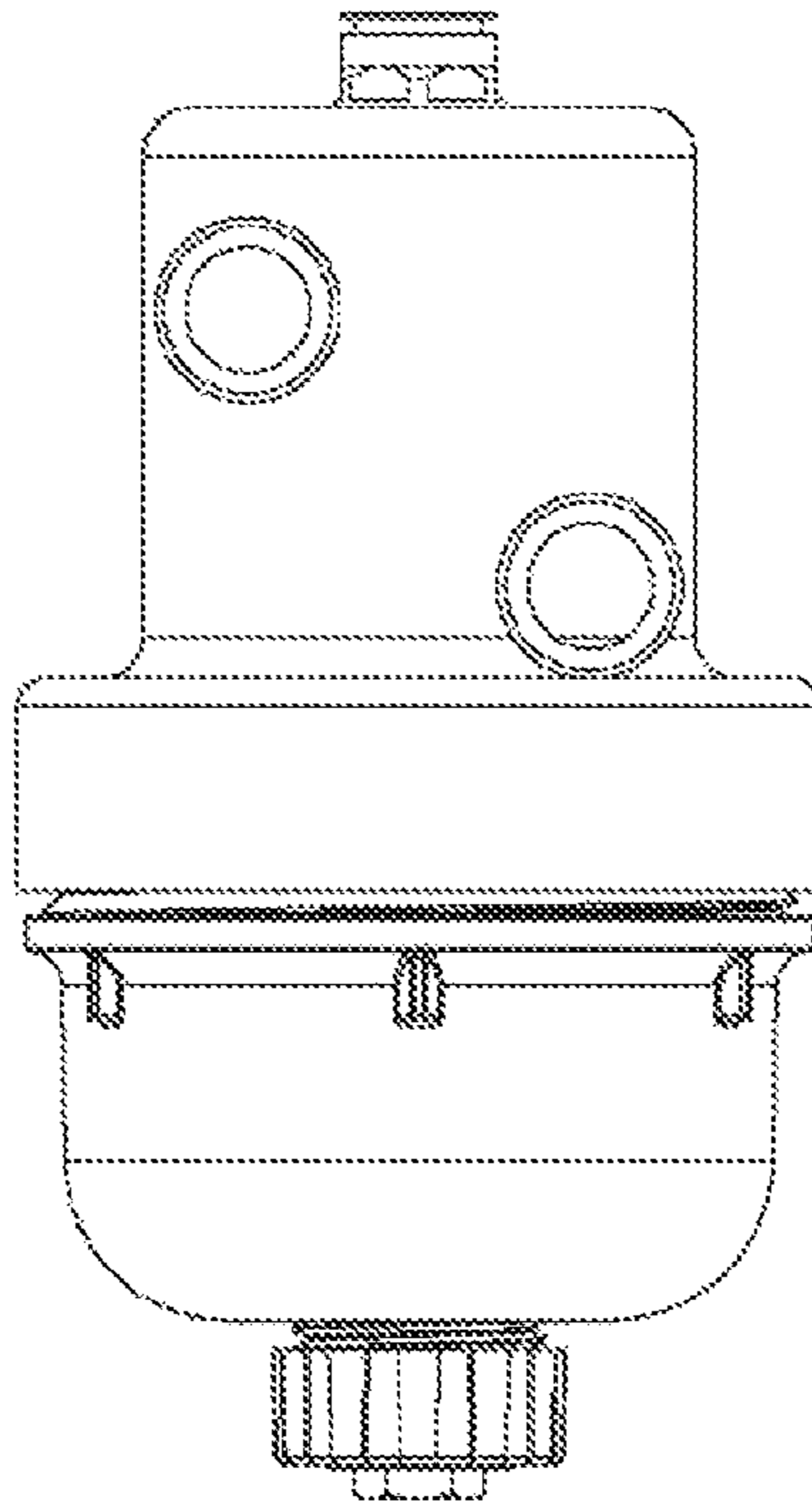


Figure 2

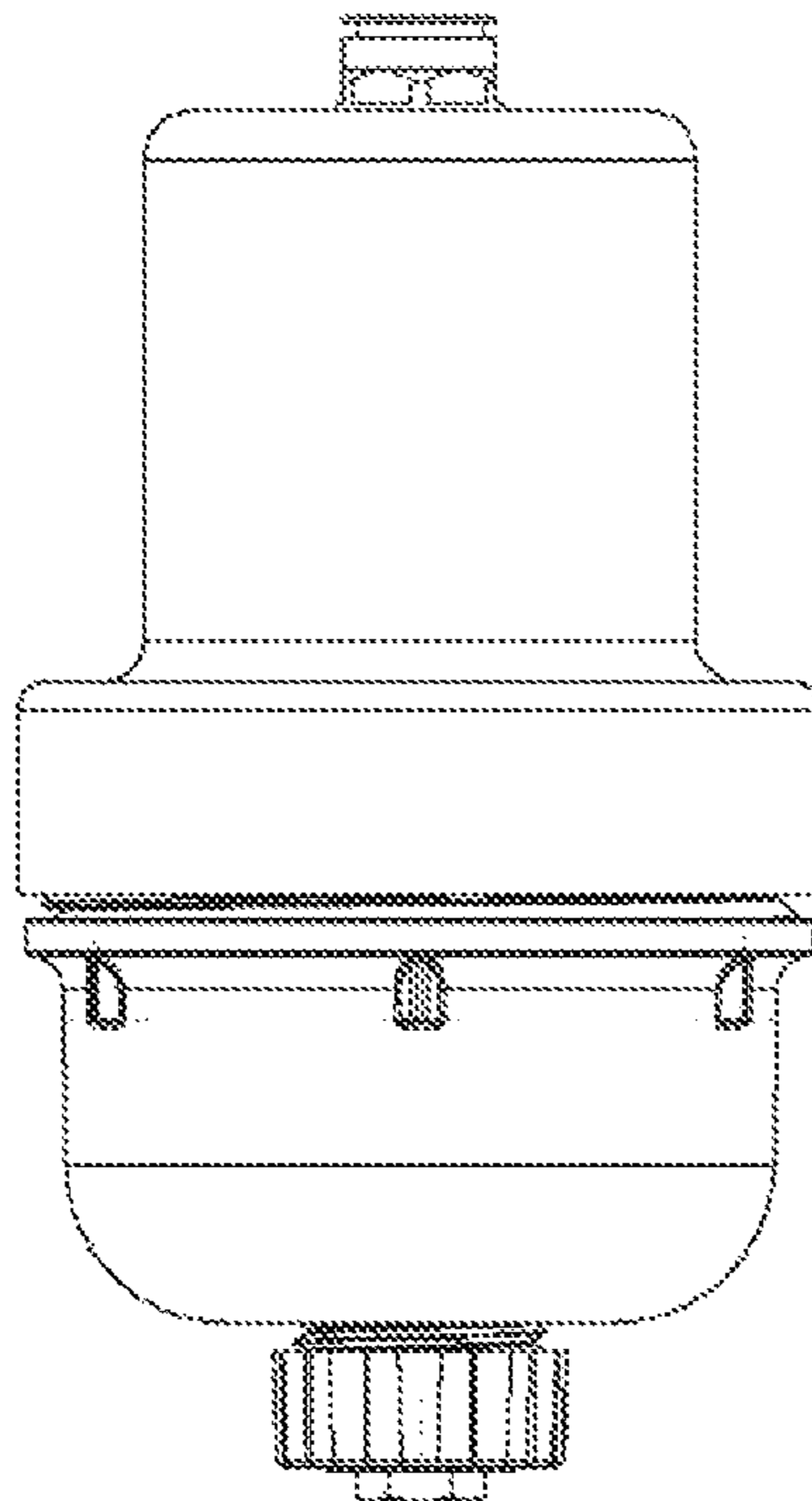


Figure 3

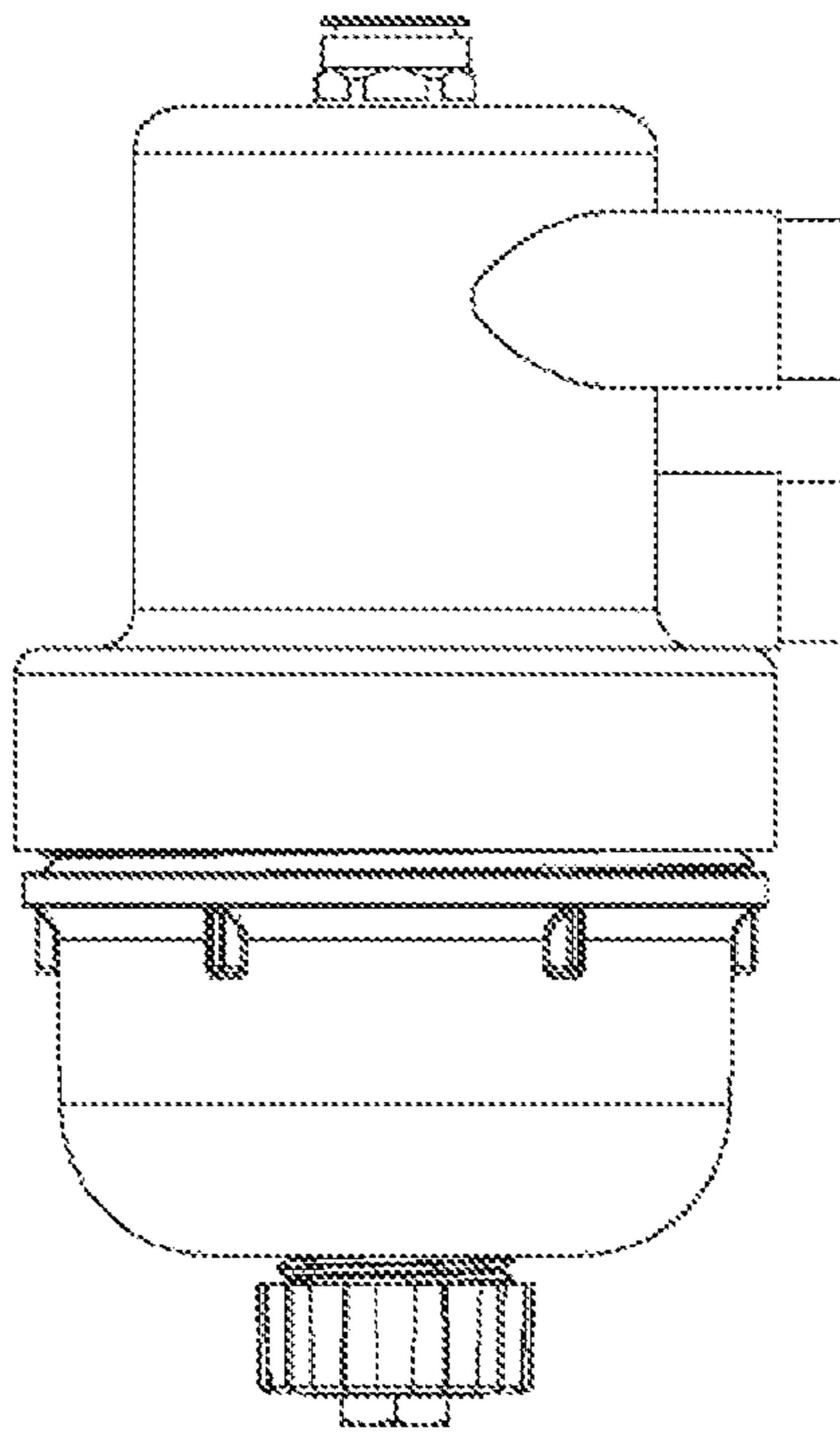


Figure 4

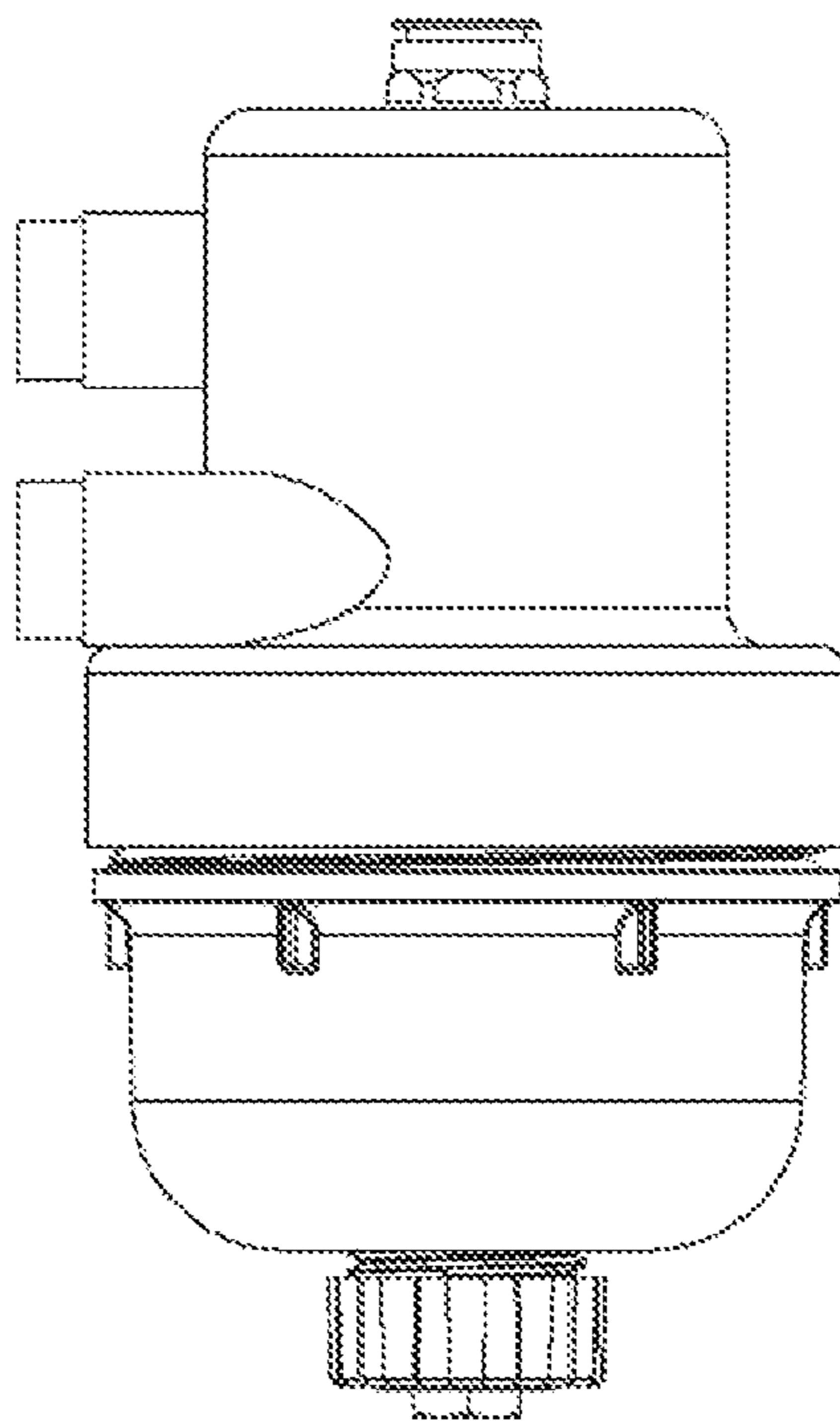


Figure 5

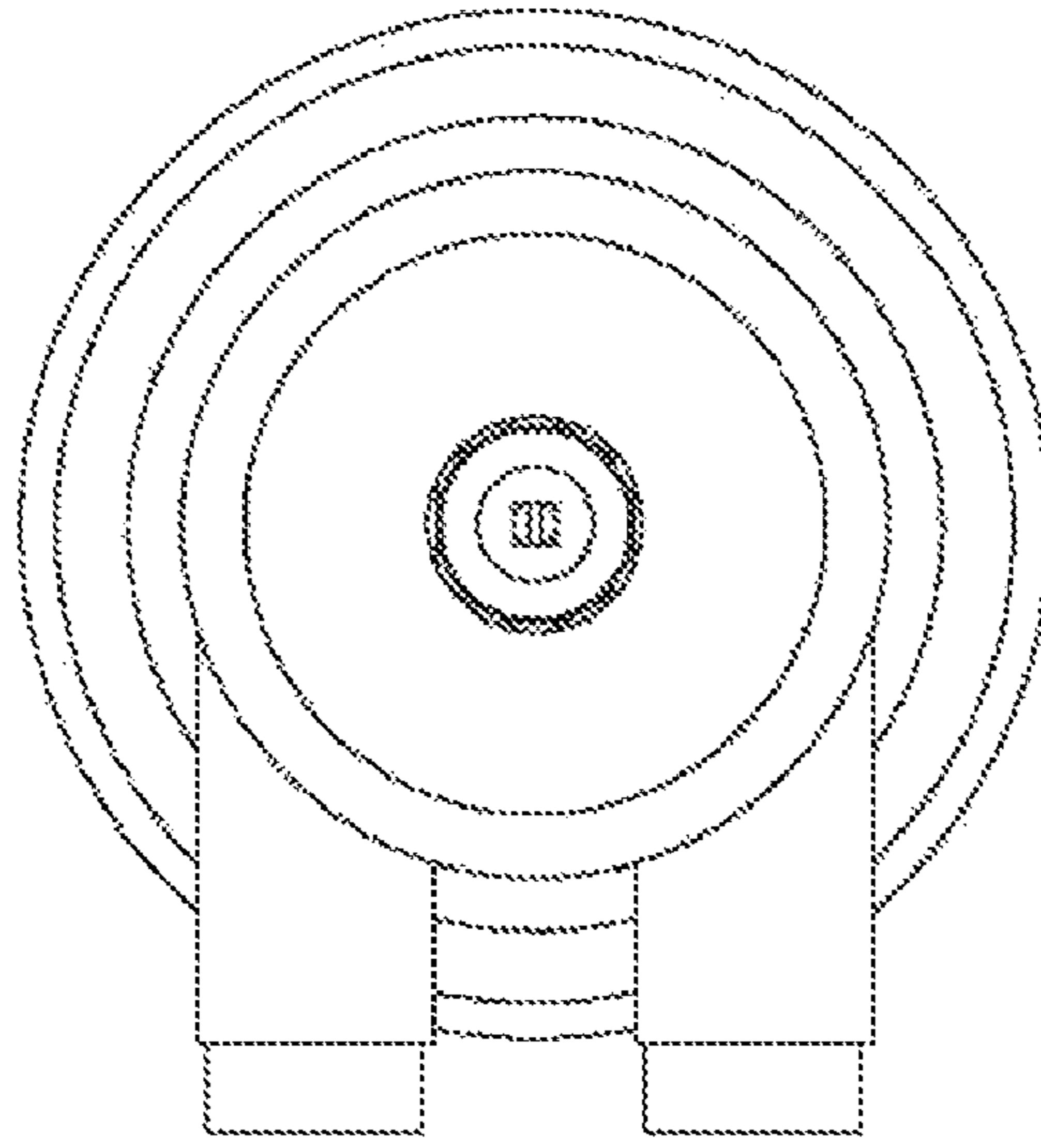


Figure 6

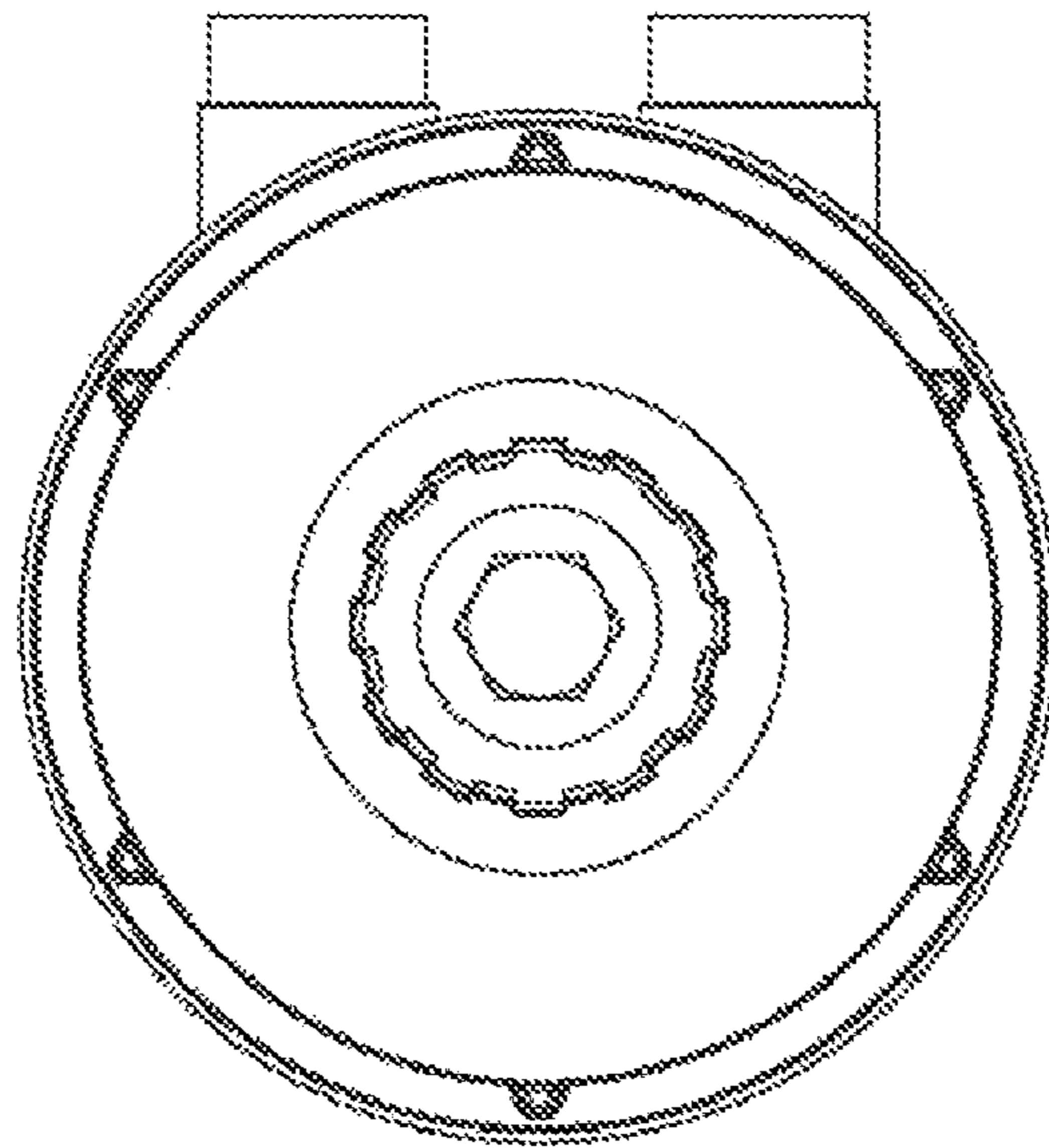


Figure 7