



US00D622345S

(12) **United States Design Patent**
Oldknow et al.

(10) **Patent No.:** **US D622,345 S**
(45) **Date of Patent:** **** Aug. 24, 2010**

(54) **GOLF CLUB**

(75) Inventors: **Andrew G. V. Oldknow**, Beaverton, OR (US); **Jason Cardani**, Portland, OR (US)

(73) Assignee: **NIKE, Inc.**, Beaverton, OR (US)

(**) Term: **14 Years**

(21) Appl. No.: **29/358,674**

(22) Filed: **Mar. 30, 2010**

(51) **LOC (9) Cl.** **21-02**

(52) **U.S. Cl.** **D21/759**

(58) **Field of Classification Search** D21/747–751, D21/759; 473/324–331, 350

See application file for complete search history.

(56) **References Cited**

U.S. PATENT DOCUMENTS

3,955,820	A	5/1976	Cochran et al.	
3,995,865	A	12/1976	Cochran et al.	
5,014,993	A	5/1991	Antonious	
D329,266	S	9/1992	Antonious	
6,379,263	B2	4/2002	Erickson et al.	
6,595,870	B2	7/2003	Stites et al.	
D487,492	S	3/2004	Madore et al.	
D496,973	S *	10/2004	Wahl et al.	D21/749
D504,924	S	5/2005	Madore et al.	
6,887,164	B2	5/2005	Dewanjee et al.	
7,022,028	B2	4/2006	Nagai et al.	
D526,036	S *	8/2006	Nishitani	D21/747
7,153,222	B2	12/2006	Gilbert et al.	
D539,863	S *	4/2007	Nunez et al.	D21/748
D549,295	S	8/2007	Nagai et al.	
D550,316	S	9/2007	Nagai et al.	
D553,699	S *	10/2007	Nunez et al.	D21/747
D553,704	S *	10/2007	Nunez et al.	D21/759
D554,217	S *	10/2007	Ruggiero et al.	D21/759
D562,423	S	2/2008	Foster et al.	
7,338,387	B2	3/2008	Nycum et al.	
D566,803	S *	4/2008	Foster et al.	D21/747
7,399,238	B2	7/2008	Hocknell et al.	
D585,951	S *	2/2009	Kohno	D21/759

(Continued)

OTHER PUBLICATIONS

Edwin Watts Golf Catalog, Late Summer 2002, p. 44, Published 2002.

(Continued)

Primary Examiner—Mitchell I Siegel

(74) *Attorney, Agent, or Firm*—Banner & Witcoff, Ltd.

(57) **CLAIM**

The ornamental design for a golf club, as shown and described.

DESCRIPTION

FIG. 1 is a rear perspective view of a first embodiment of a golf club showing our new design;

FIG. 2 is a rear view thereof;

FIG. 3 is a heel-end view thereof;

FIG. 4 is a toe-end view thereof;

FIG. 5 is a bottom view thereof;

FIG. 6 is a rear perspective view of a second embodiment of a golf club showing our new design;

FIG. 7 is a rear view thereof;

FIG. 8 is a heel-end view thereof;

FIG. 9 is a toe-end view thereof;

FIG. 10 is a bottom view thereof;

FIG. 11 is a rear perspective view of a third embodiment of a golf club showing our new design;

FIG. 12 is a rear view thereof;

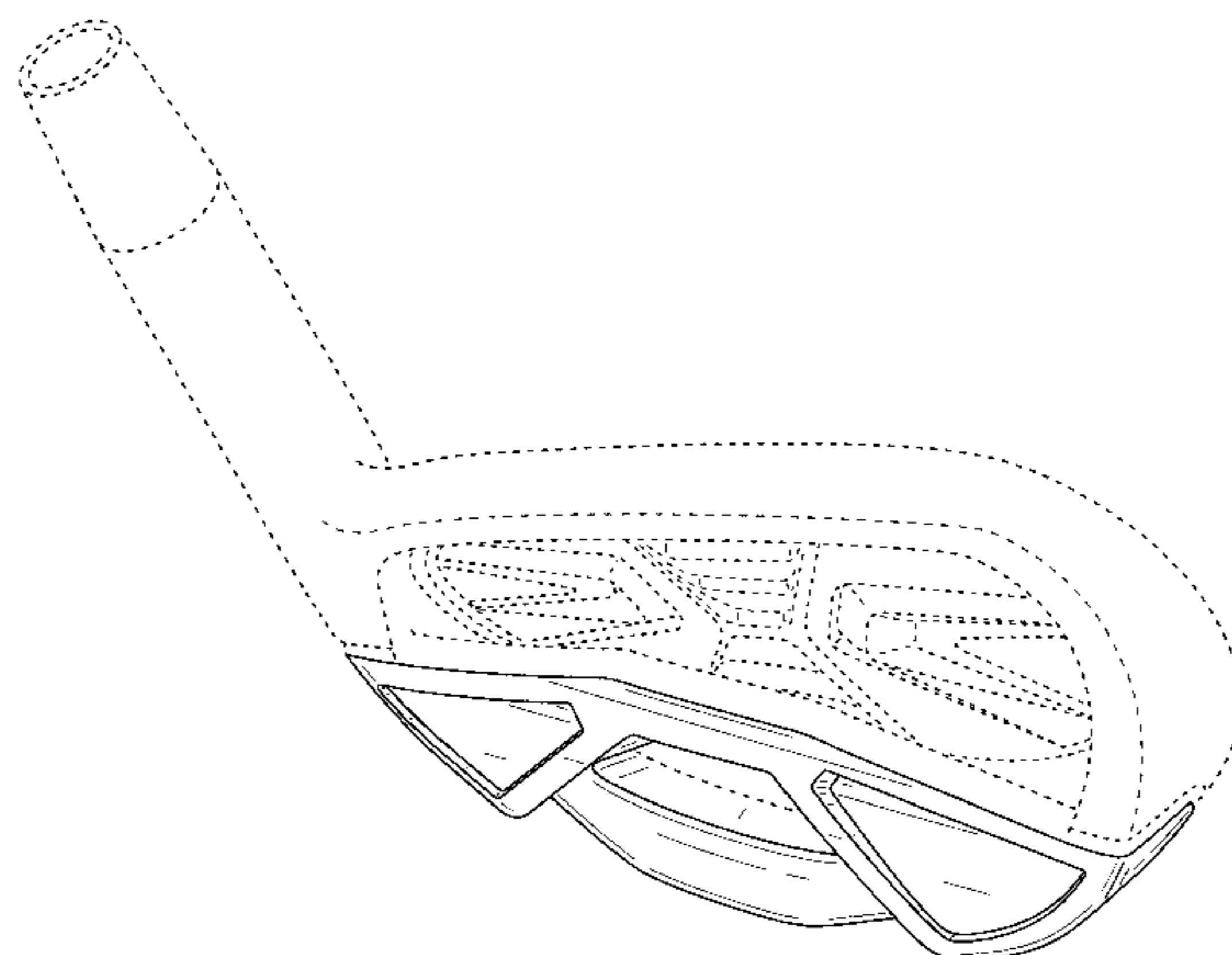
FIG. 13 is a heel-end view thereof;

FIG. 14 is a toe-end view thereof; and,

FIG. 15 is a bottom view thereof.

The broken line showing of the remainder of the golf club is for environmental purposes only and forms no part of the claimed design.

1 Claim, 6 Drawing Sheets



US D622,345 S

Page 2

U.S. PATENT DOCUMENTS

D591,373 S * 4/2009 Foster et al. D21/747
D591,819 S 5/2009 Bosilkovski et al.
D596,684 S 7/2009 Sutovsky et al.
D598,060 S * 8/2009 Barez et al. D21/747
D598,968 S 8/2009 Wieland
D600,765 S * 9/2009 Llewellyn et al. D21/759
D600,766 S 9/2009 Llewellyn et al.
D601,215 S 9/2009 Diaz et al.
D601,651 S 10/2009 Jorgensen et al.
D602,103 S 10/2009 Jorgensen et al.
2002/0082118 A1 6/2002 Iwata et al.
2007/0117653 A1 5/2007 Yoneyama

2009/0239679 A1 9/2009 Stites et al.

OTHER PUBLICATIONS

Edwin Watts Golf Catalog, Late Spring 2004, p. 22, Published 2004.
Austad's Golf Catalog, Spring 2008, p. 2, Published 2008.
TaylorMade Tour Preferred Irons, <URL:<http://www.edwinwattsgolf.com>>, retrieved from internet Feb. 3, 2010.
Titleist API 710 Iron Sets, <URL:<http://www.edwinwattsgolf.com>>, retrieved from internet Feb. 3, 2010.
Turbo Power XPII Max Speed Iron Clubs (Compare to Nike SQ Machspeed), <URL: <http://www.turbopowerusa.net/tupoxpmaxspi.html>, retrieved from internet Mar. 30, 2010 (4 color sheets).

* cited by examiner

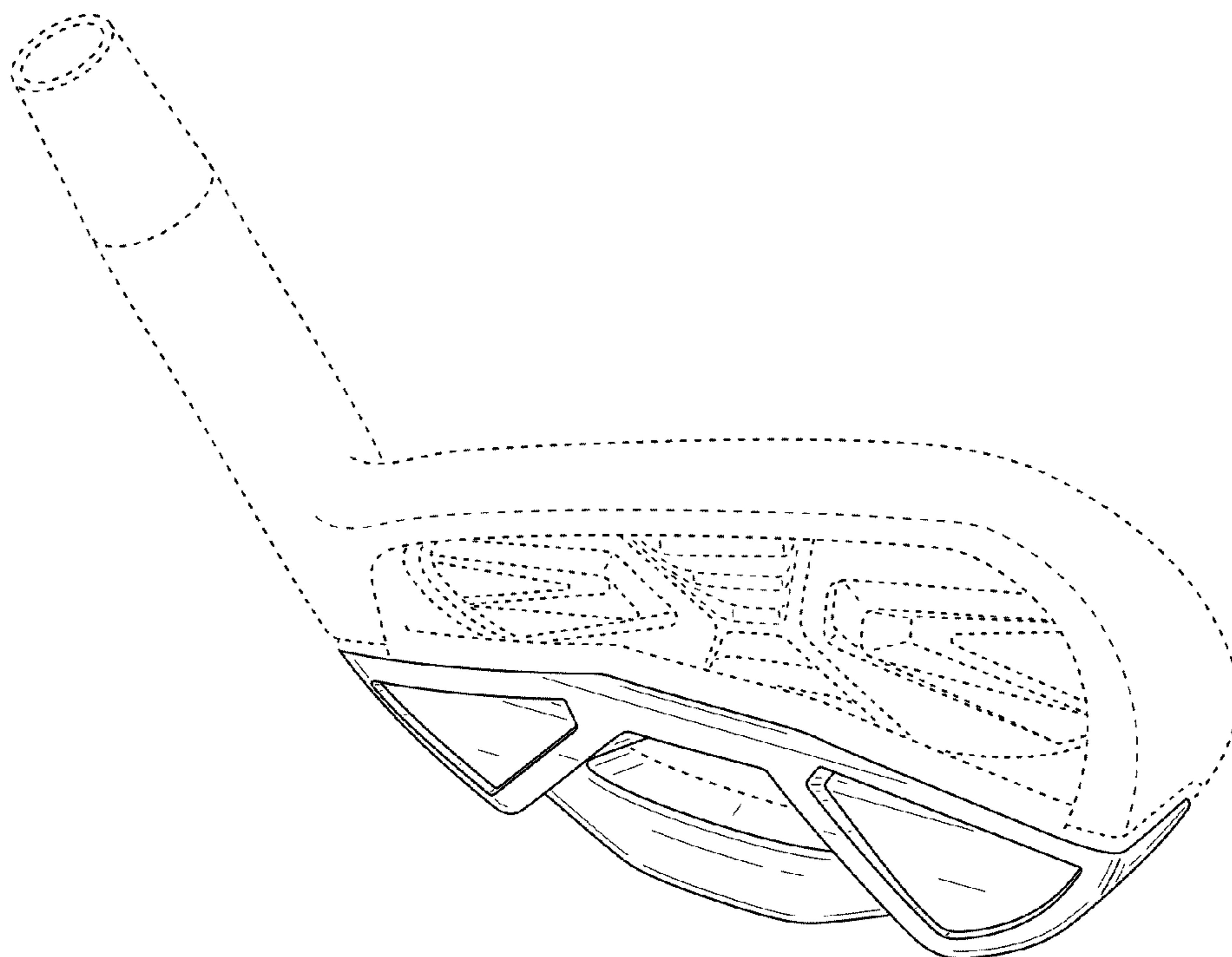


FIG. 1

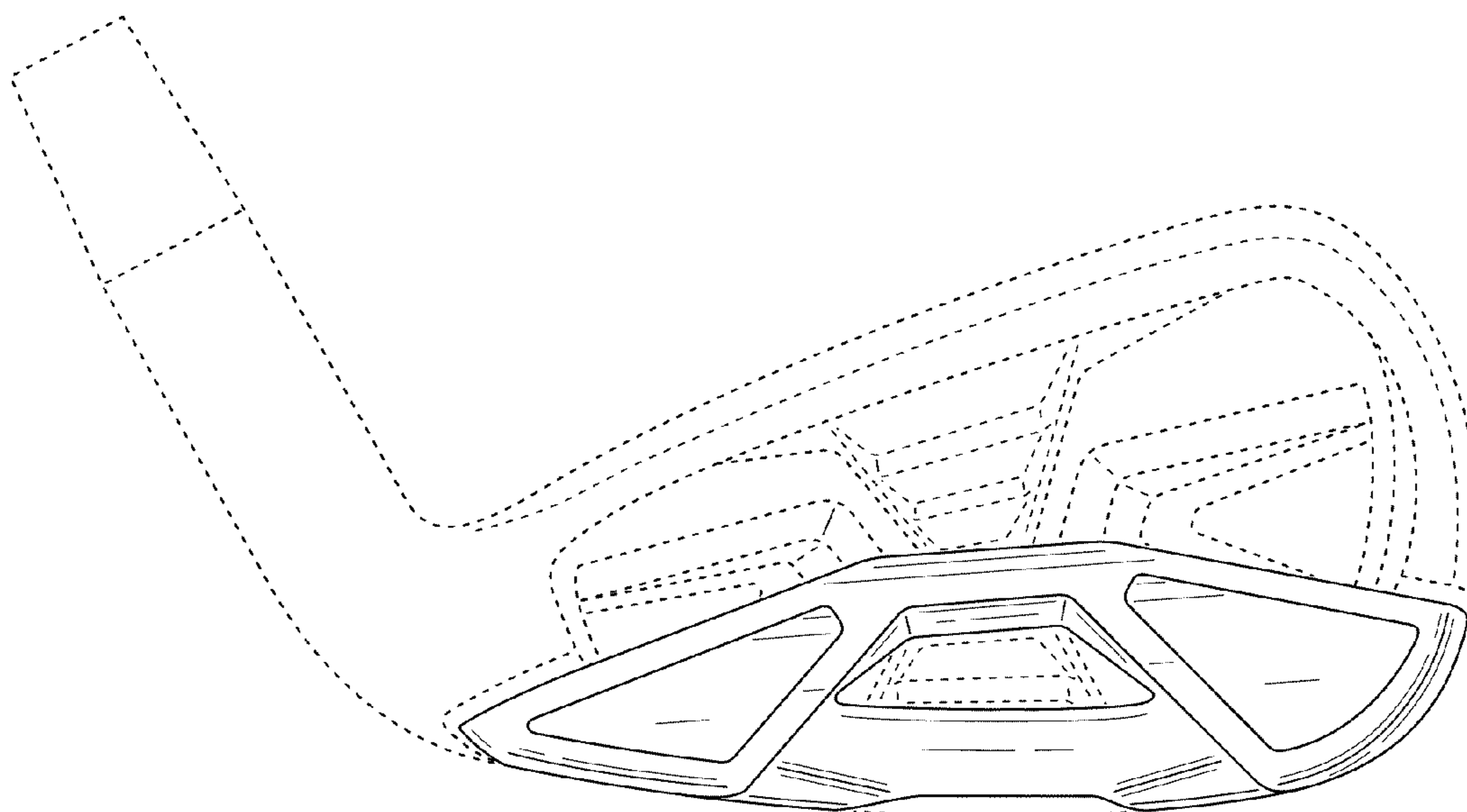


FIG. 2

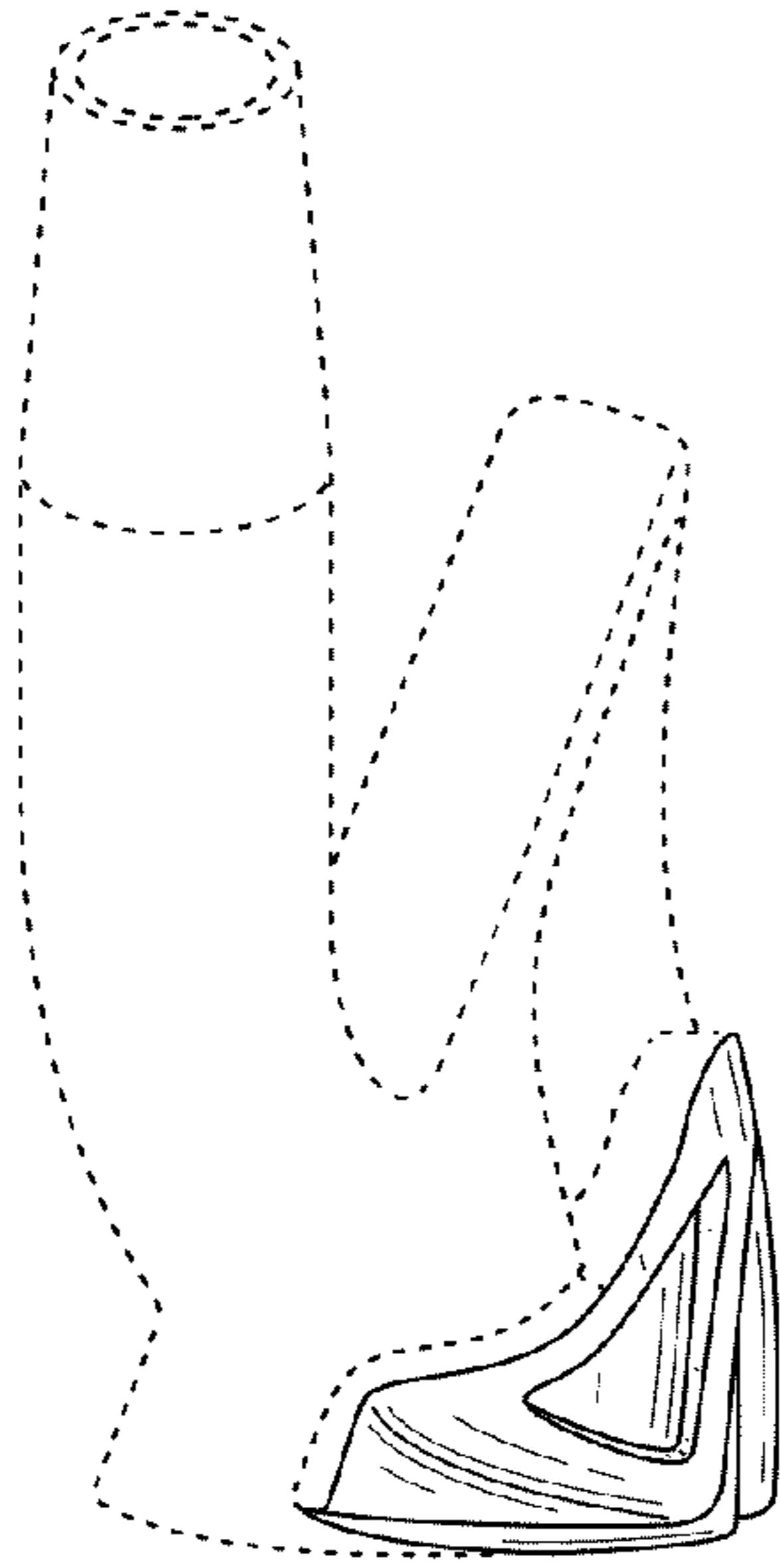


FIG. 3

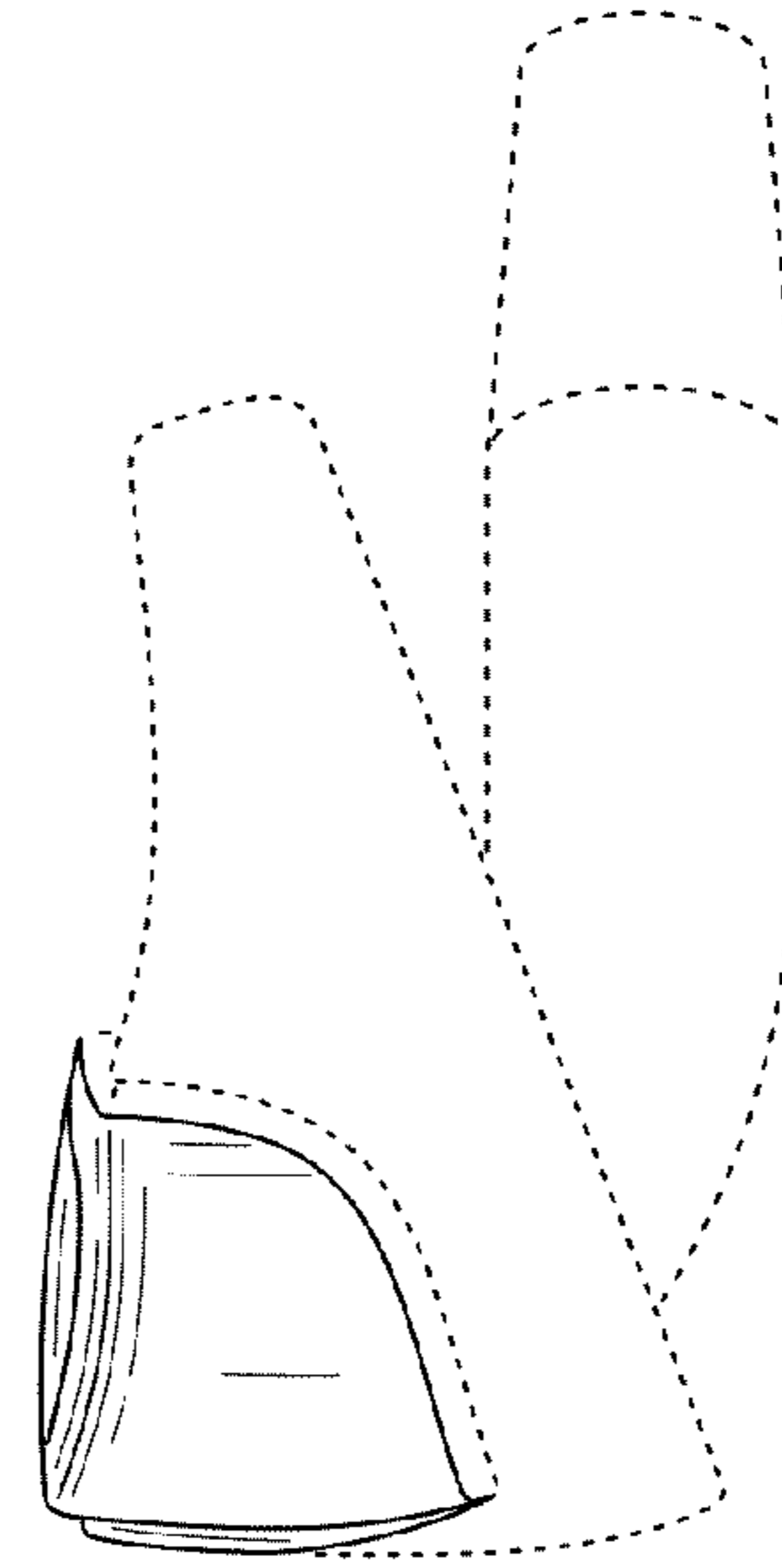


FIG. 4

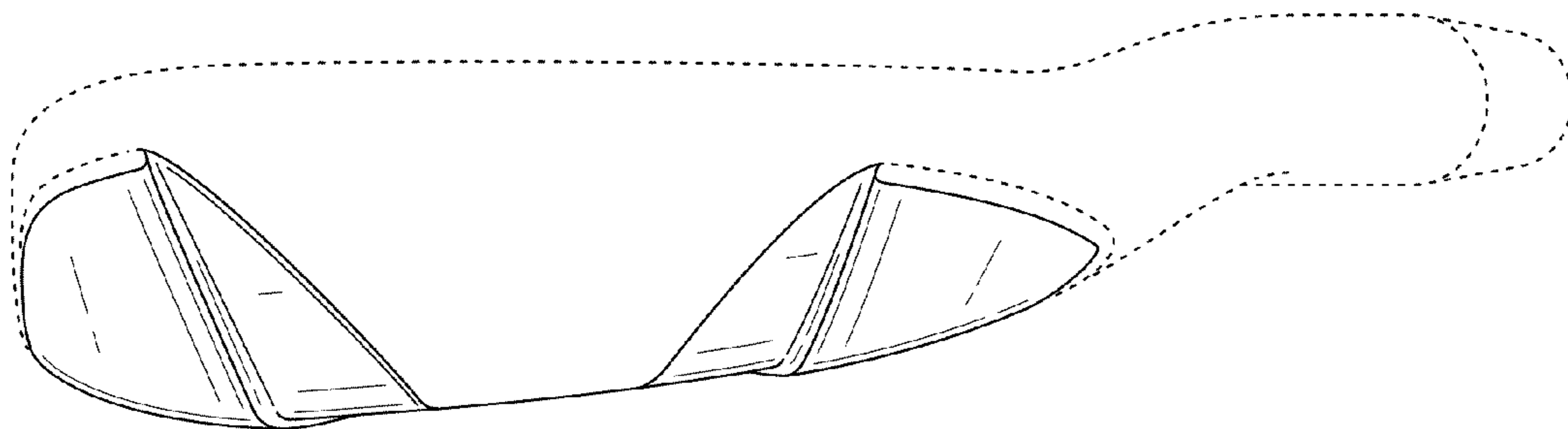


FIG. 5

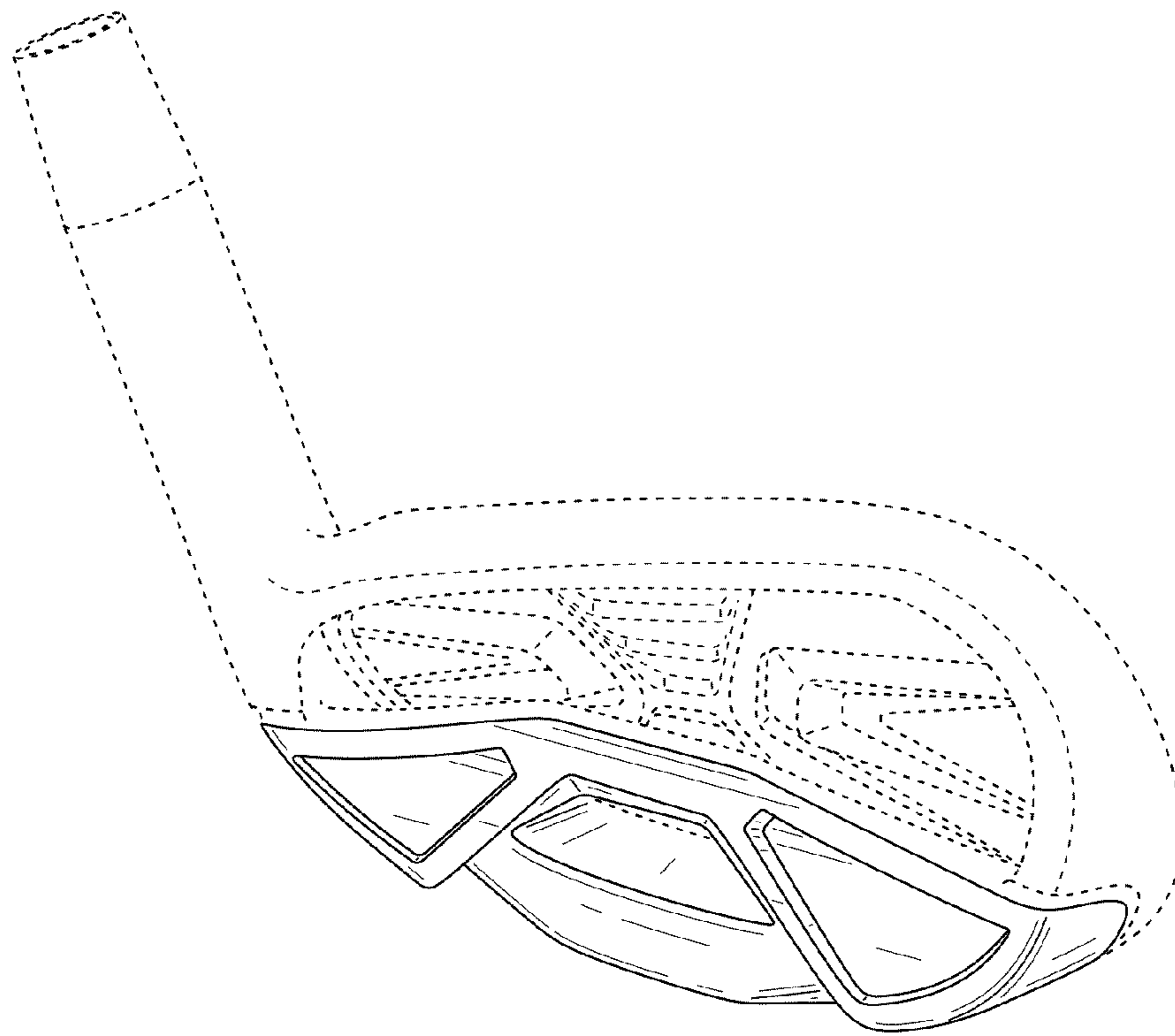


FIG. 6

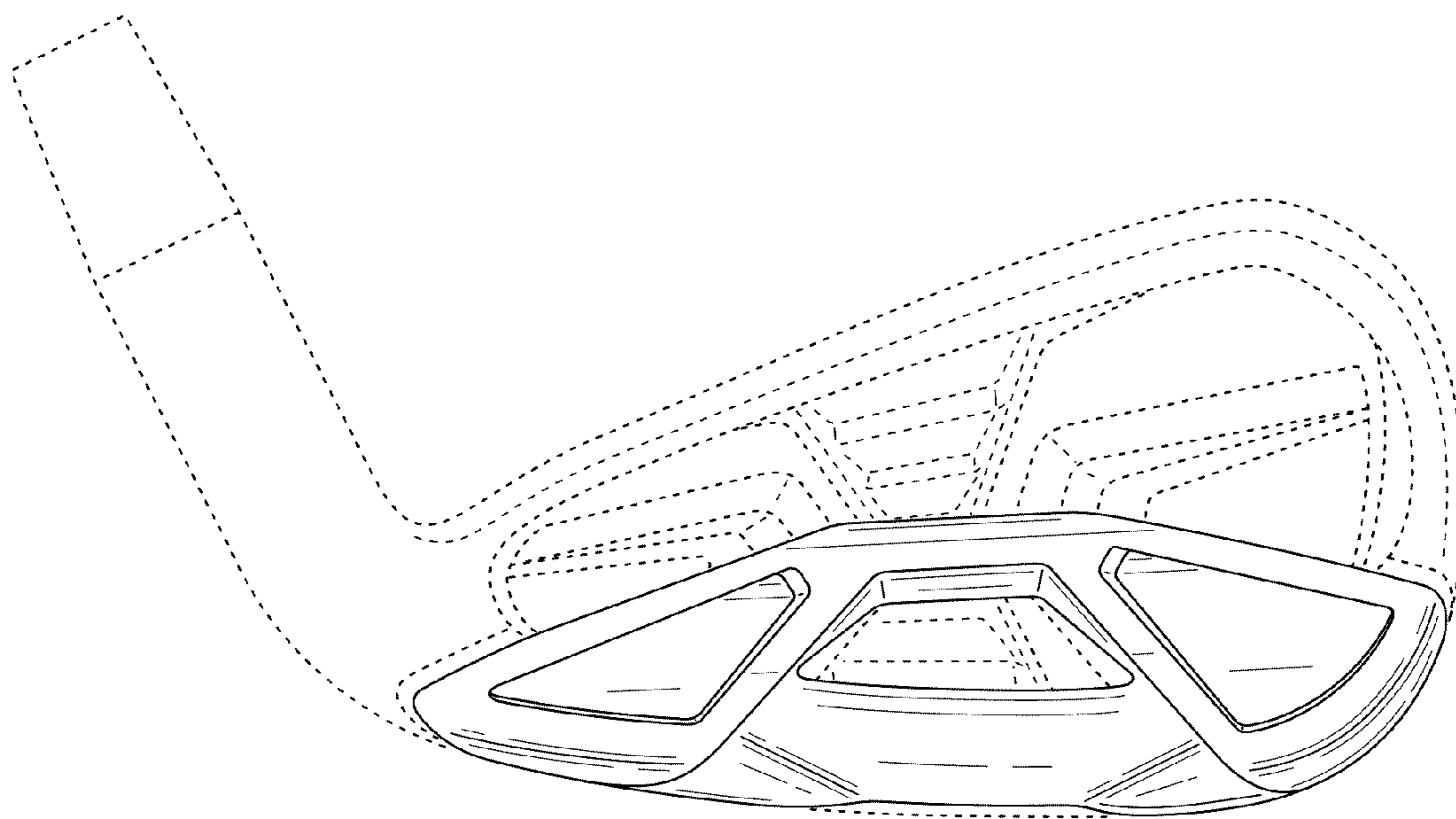


FIG. 7

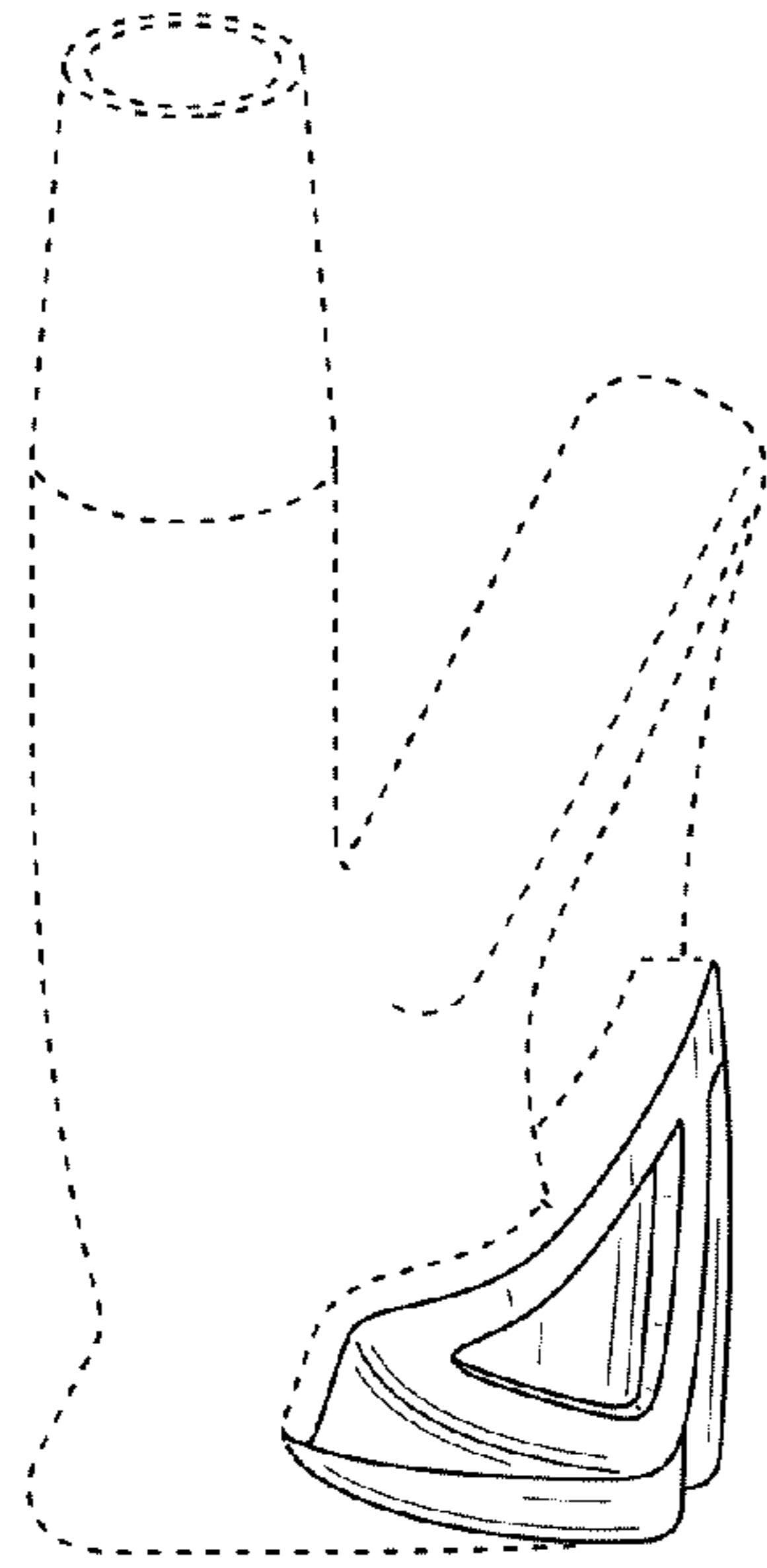


FIG. 8

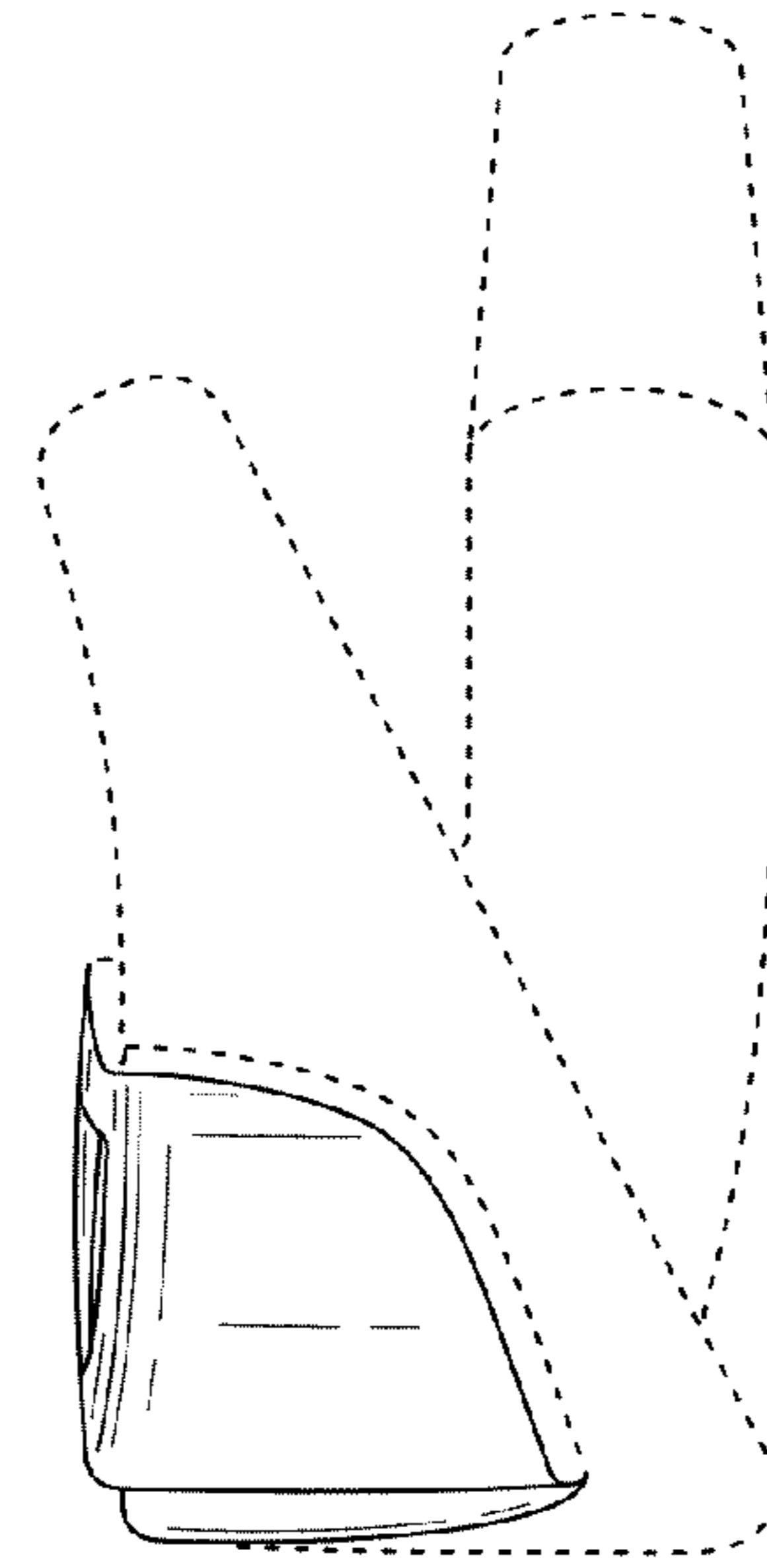


FIG. 9

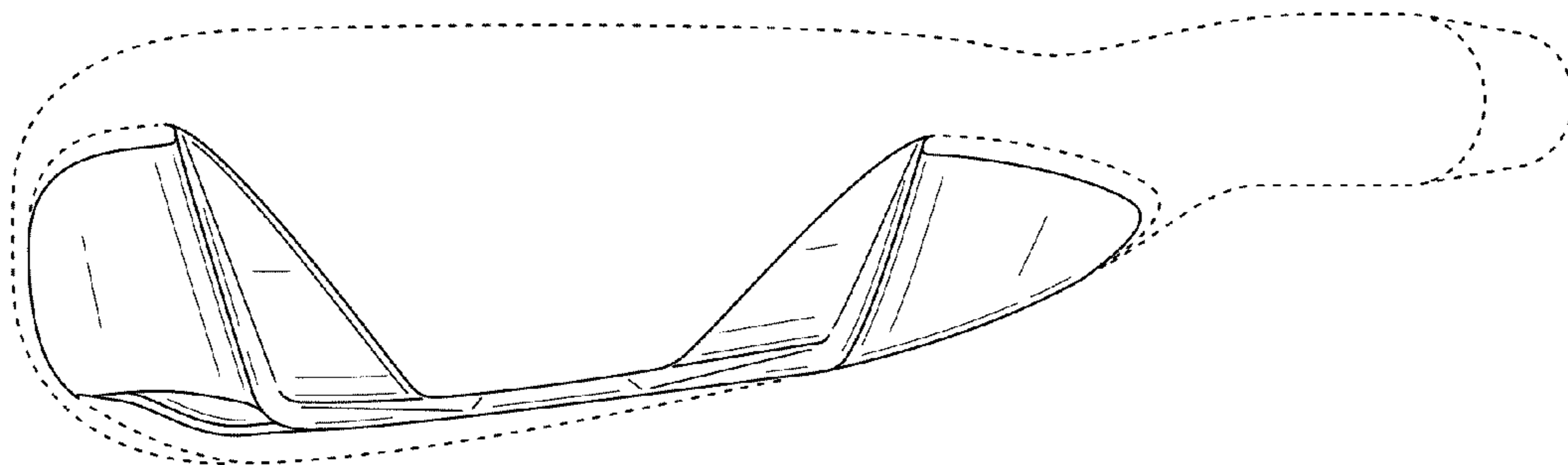


FIG. 10

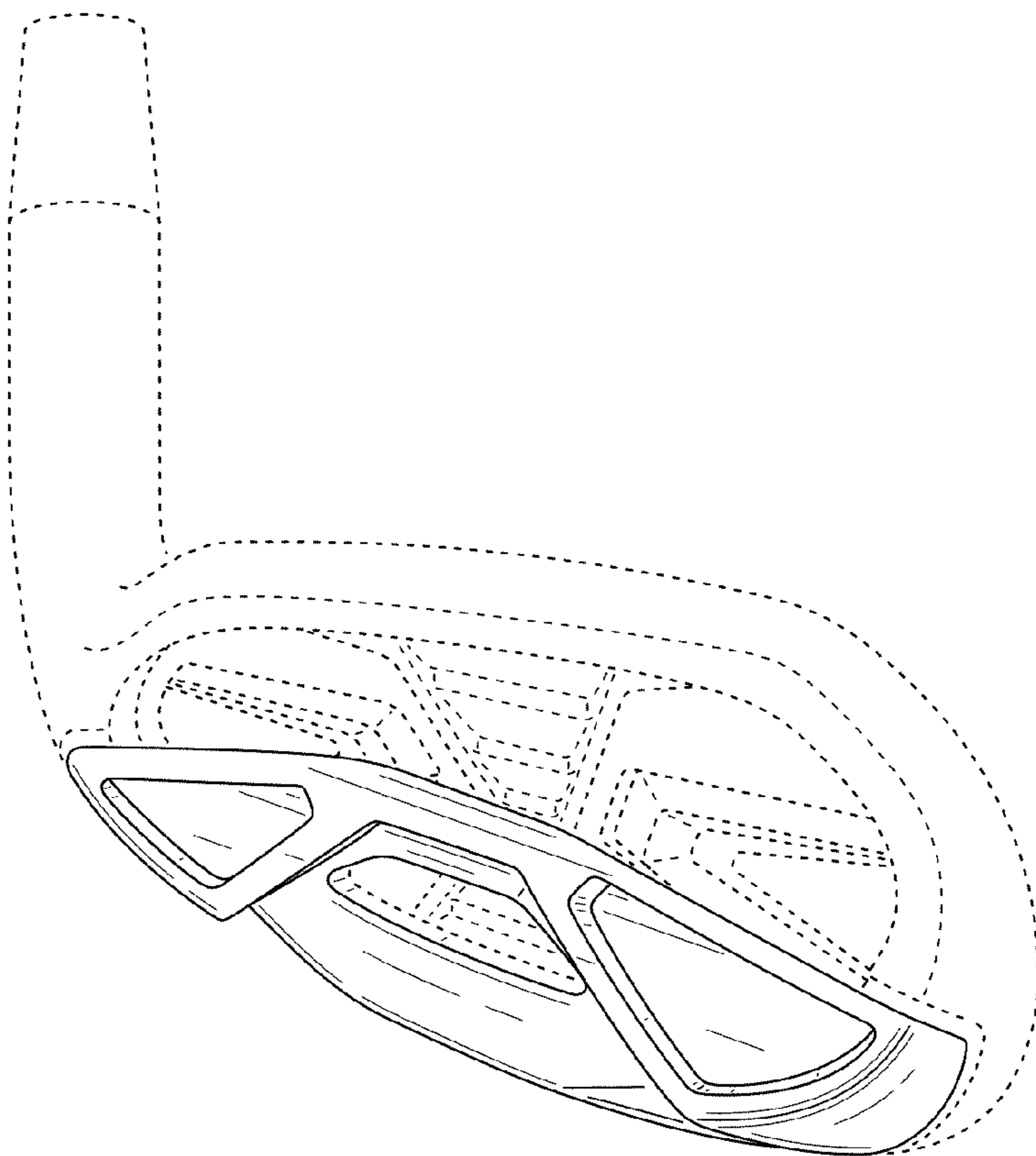


FIG. 11

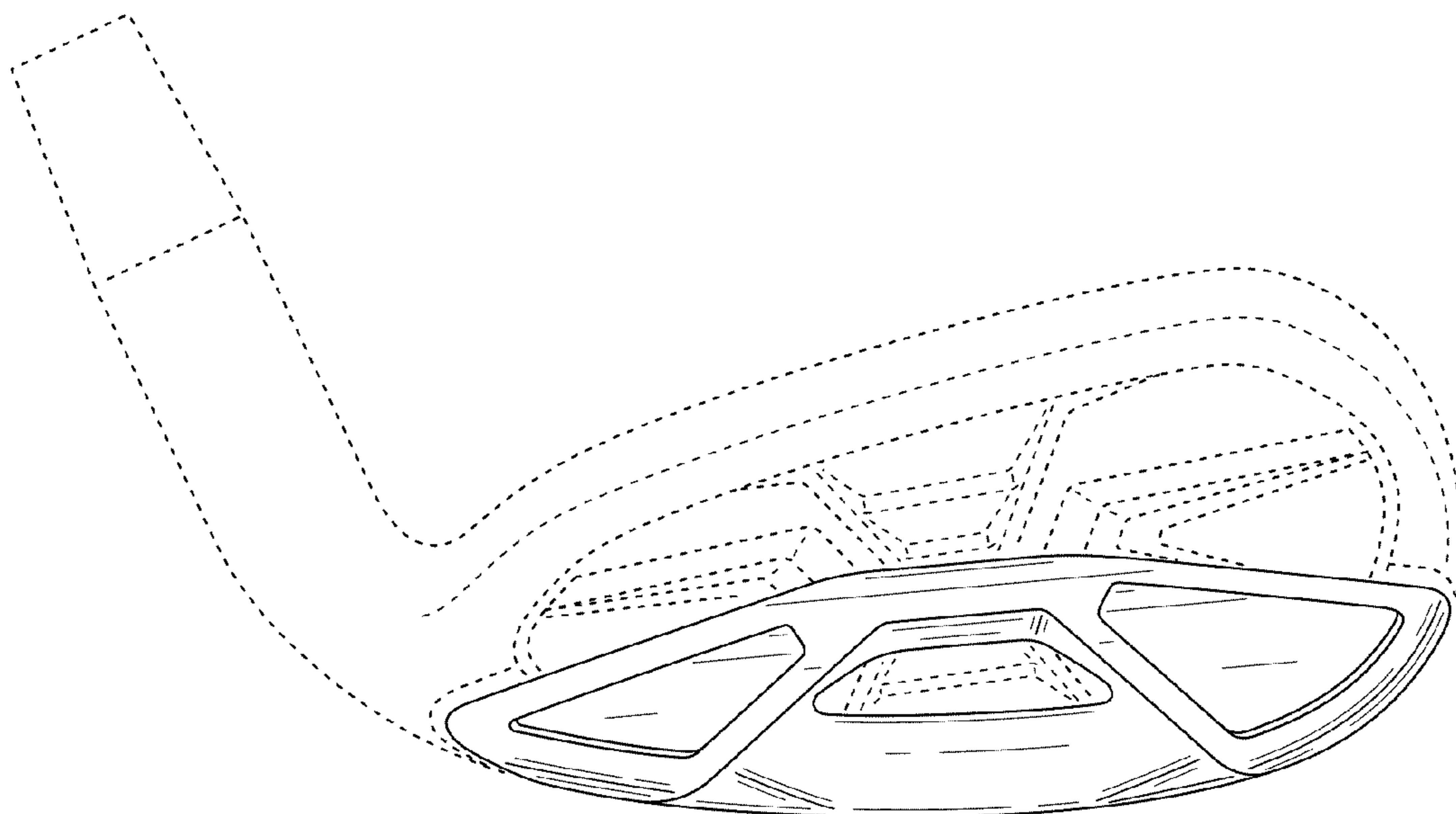


FIG. 12

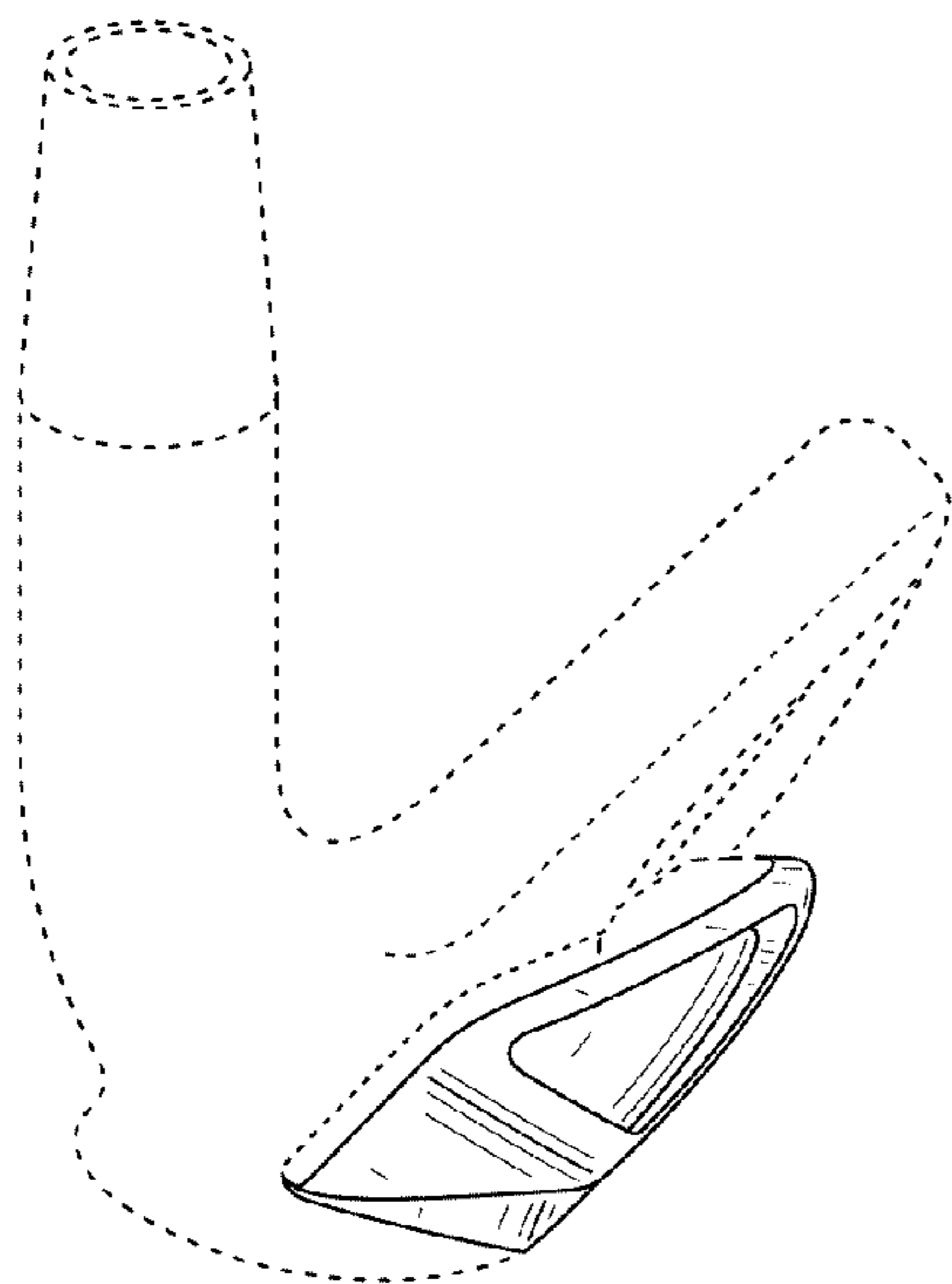


FIG. 13

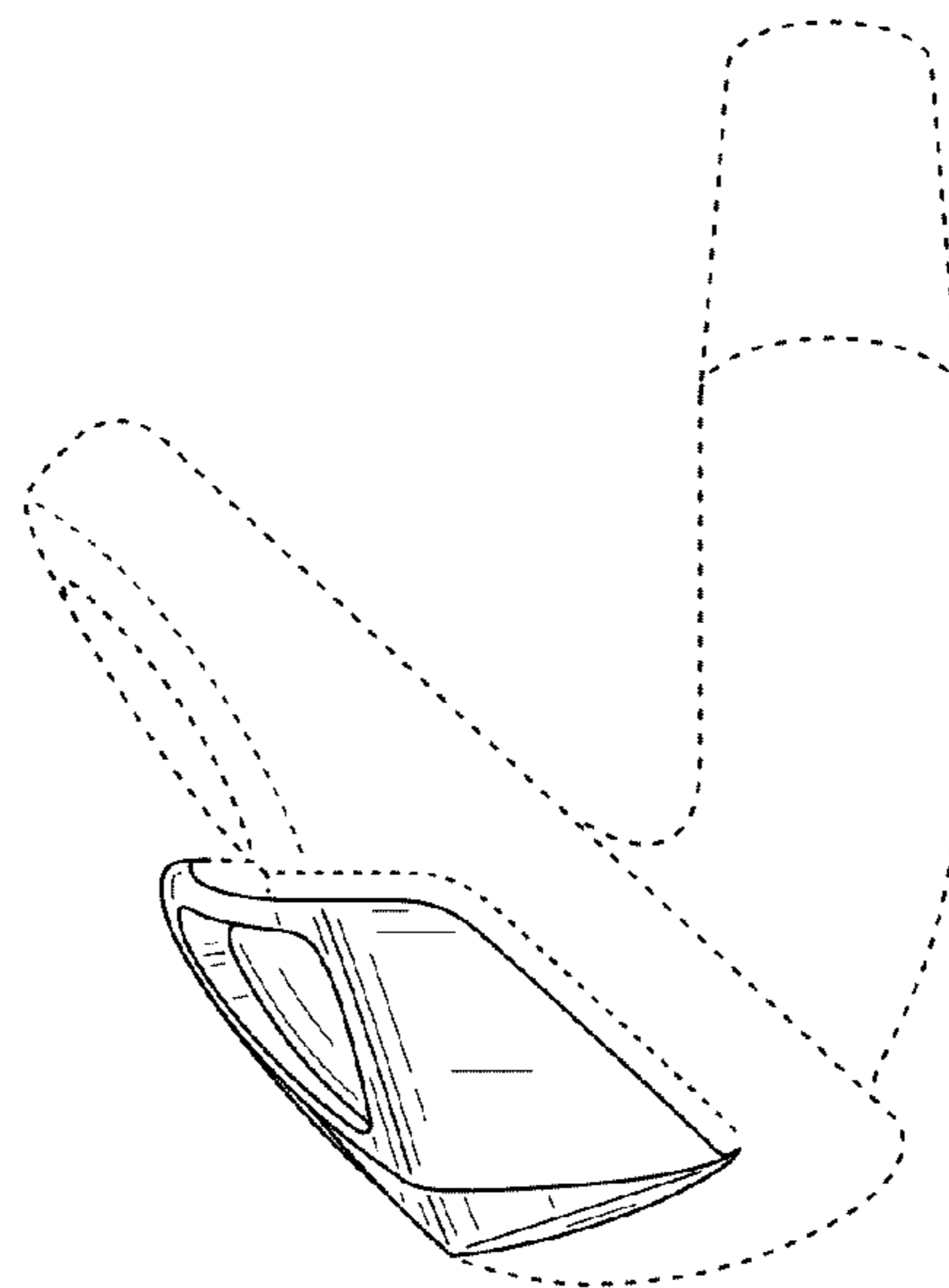


FIG. 14

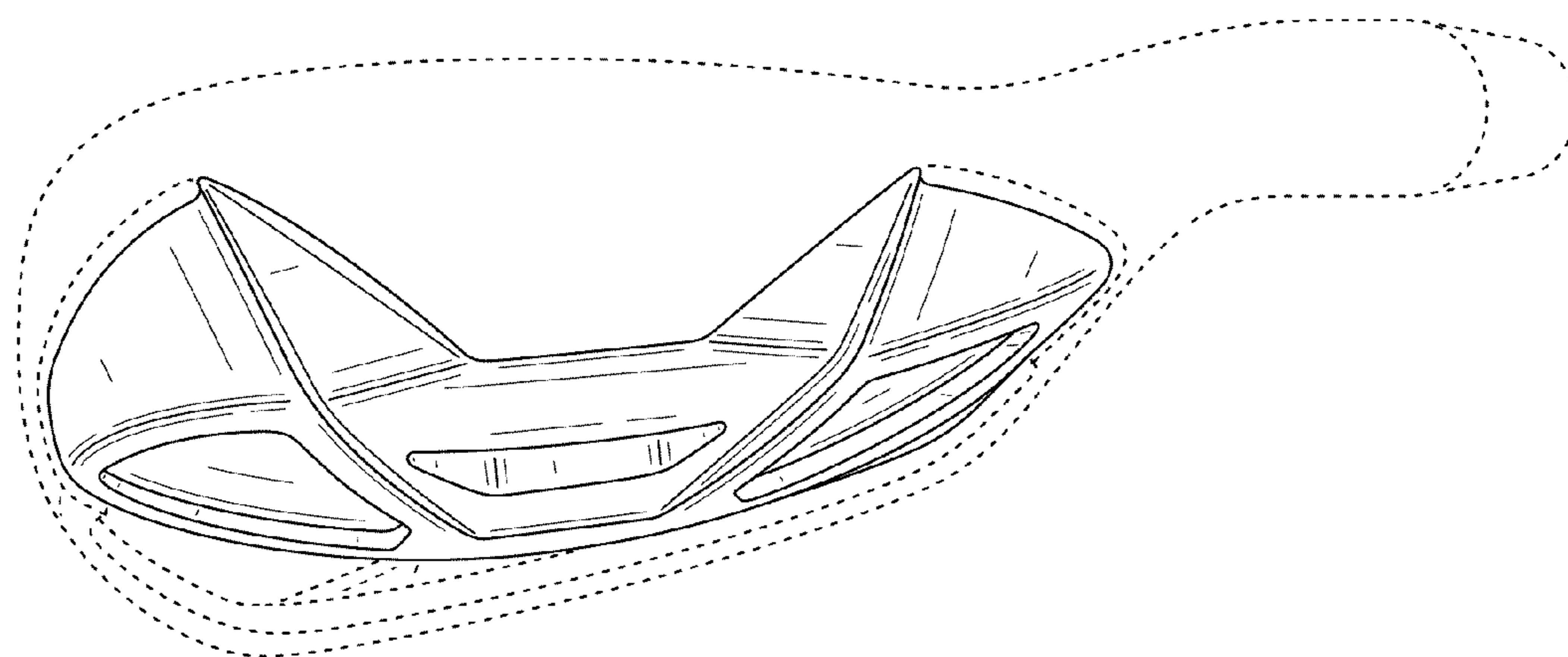


FIG. 15