



US00D622344S

(12) **United States Design Patent**  
**Oldknow et al.**

(10) **Patent No.:** **US D622,344 S**

(45) **Date of Patent:** **\*\* Aug. 24, 2010**

(54) **GOLF CLUB**

(74) *Attorney, Agent, or Firm*—Banner & Witcoff, Ltd.

(75) Inventors: **Andrew G. V. Oldknow**, Beaverton, OR (US); **Mark Harman Powell**, Marina del Rey, CA (US); **Jason Cardani**, Portland, OR (US)

(57) **CLAIM**

The ornamental design for a golf club, as shown and described.

(73) Assignee: **NIKE, Inc.**, Beaverton, OR (US)

**DESCRIPTION**

(\*\*) Term: **14 Years**

FIG. 1 is a rear perspective view of a first embodiment of a golf club showing our new design;

(21) Appl. No.: **29/358,669**

FIG. 2 is a rear view thereof;

(22) Filed: **Mar. 30, 2010**

FIG. 3 is a heel-end view thereof;

(51) **LOC (9) Cl.** ..... **21-02**

FIG. 4 is a toe-end view thereof;

(52) **U.S. Cl.** ..... **D21/759**

FIG. 5 is a bottom view thereof;

(58) **Field of Classification Search** ..... D21/747–751, D21/759; 473/324–331, 350

FIG. 6 is a top view thereof;

See application file for complete search history.

FIG. 7 is a front view thereof;

FIG. 8 is a rear perspective view of a second embodiment of a golf club showing our new design;

(56) **References Cited**

FIG. 9 is a rear view thereof;

**U.S. PATENT DOCUMENTS**

FIG. 10 is a heel-end view thereof;

3,955,820	A	5/1976	Cochran et al.	
3,995,865	A	12/1976	Cochran et al.	
5,014,993	A	5/1991	Antonious	
D329,266	S	9/1992	Antonious	
6,379,263	B2	4/2002	Erickson et al.	
6,595,870	B2	7/2003	Stites et al.	
D487,492	S	3/2004	Madore et al.	
D496,973	S *	10/2004	Wahl et al.	D21/749
D504,924	S	5/2005	Madore et al.	
6,887,164	B2	5/2005	Dewanjee et al.	
7,022,028	B2	4/2006	Nagai et al.	
D526,036	S *	8/2006	Nishitani	D21/747
7,153,222	B2	12/2006	Gilbert et al.	

FIG. 11 is a toe-end view thereof;

FIG. 12 is a bottom view thereof;

FIG. 13 is a top view thereof;

FIG. 14 is a front view thereof;

FIG. 15 is a rear perspective view of a third embodiment of a golf club showing our new design;

FIG. 16 is a rear view thereof;

FIG. 17 is a heel-end view thereof;

FIG. 18 is a toe-end view thereof;

FIG. 19 is a bottom view thereof;

FIG. 20 is a top view thereof; and,

FIG. 21 is a front view thereof.

The broken line showing of the remainder of the golf club is for environmental purposes only and forms no part of the claimed design.

(Continued)

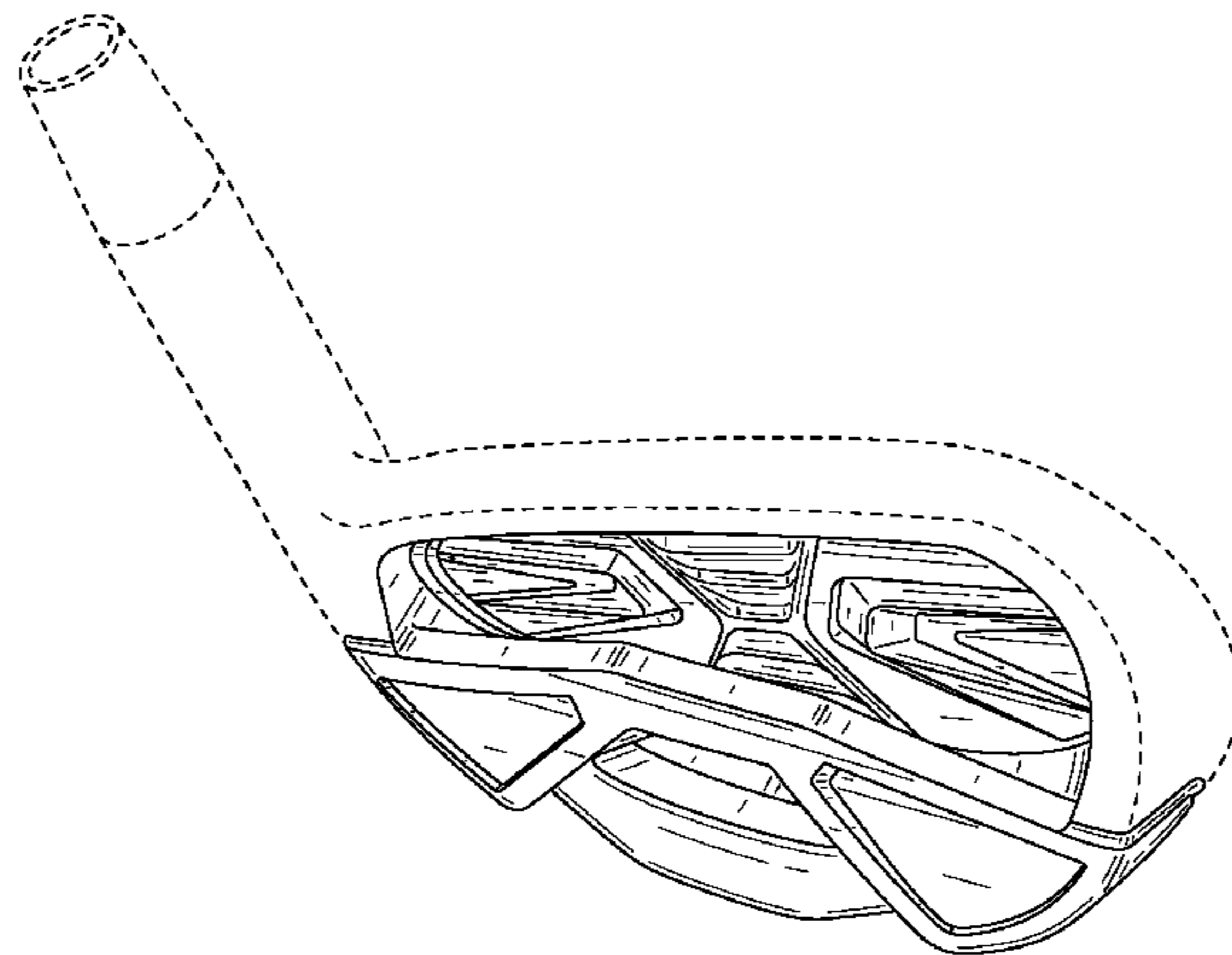
**OTHER PUBLICATIONS**

Edwin Watts Golf Catalog, Late Summer 2002, p. 44, Published 2002.

(Continued)

*Primary Examiner*—Mitchell Siegel

**1 Claim, 9 Drawing Sheets**



# US D622,344 S

Page 2

## U.S. PATENT DOCUMENTS

D539,863 S \* 4/2007 Nunez et al. .... D21/748  
D549,295 S 8/2007 Nagai et al.  
D550,316 S 9/2007 Nagai et al.  
D553,699 S \* 10/2007 Nunez et al. .... D21/747  
D553,704 S \* 10/2007 Nunez et al. .... D21/759  
D554,217 S \* 10/2007 Ruggiero et al. .... D21/759  
D562,423 S 2/2008 Foster et al.  
7,338,387 B2 3/2008 Nycum et al.  
D566,803 S \* 4/2008 Foster et al. .... D21/747  
7,399,238 B2 7/2008 Hocknell et al.  
D585,951 S \* 2/2009 Kohno ..... D21/759  
D591,373 S \* 4/2009 Foster et al. .... D21/747  
D591,819 S 5/2009 Bosilkovski et al.  
D596,684 S 7/2009 Sutovsky et al.  
D598,060 S \* 8/2009 Barez et al. .... D21/747  
D598,968 S 8/2009 Wieland  
D600,765 S \* 9/2009 Llewellyn et al. .... D21/759  
D600,766 S 9/2009 Llewellyn et al.

D601,215 S 9/2009 Diaz et al.  
D601,651 S 10/2009 Jorgensen et al.  
D602,103 S 10/2009 Jorgensen et al.  
2002/0082118 A1 6/2002 Iwata et al.  
2007/0117653 A1 5/2007 Yoneyama  
2009/0239679 A1 9/2009 Stites et al.

## OTHER PUBLICATIONS

Edwin Watts Golf Catalog, Late Spring 2004, p. 22, Published 2004.  
Austad's Golf Catalog, Spring 2008, p. 2, Published 2008.  
TaylorMade Tour Preferred Irons, <URL:http://www.edwinwattsgolf.com>, retrieved from internet Feb. 03, 2010.  
Titleist API 710 Iron Sets, <URL:http://www.edwinwattsgolf.com>, retrieved from Internet Feb. 03, 2010.  
Turbo Power XPII Max Speed Iron Clubs (Compare to Nike SQ Machspeed), <URL: http://www.turbopowerusa.net/tupoxpmaxspi.html, retrieved from Internet Mar. 30, 2010 (4 color sheets).

\* cited by examiner

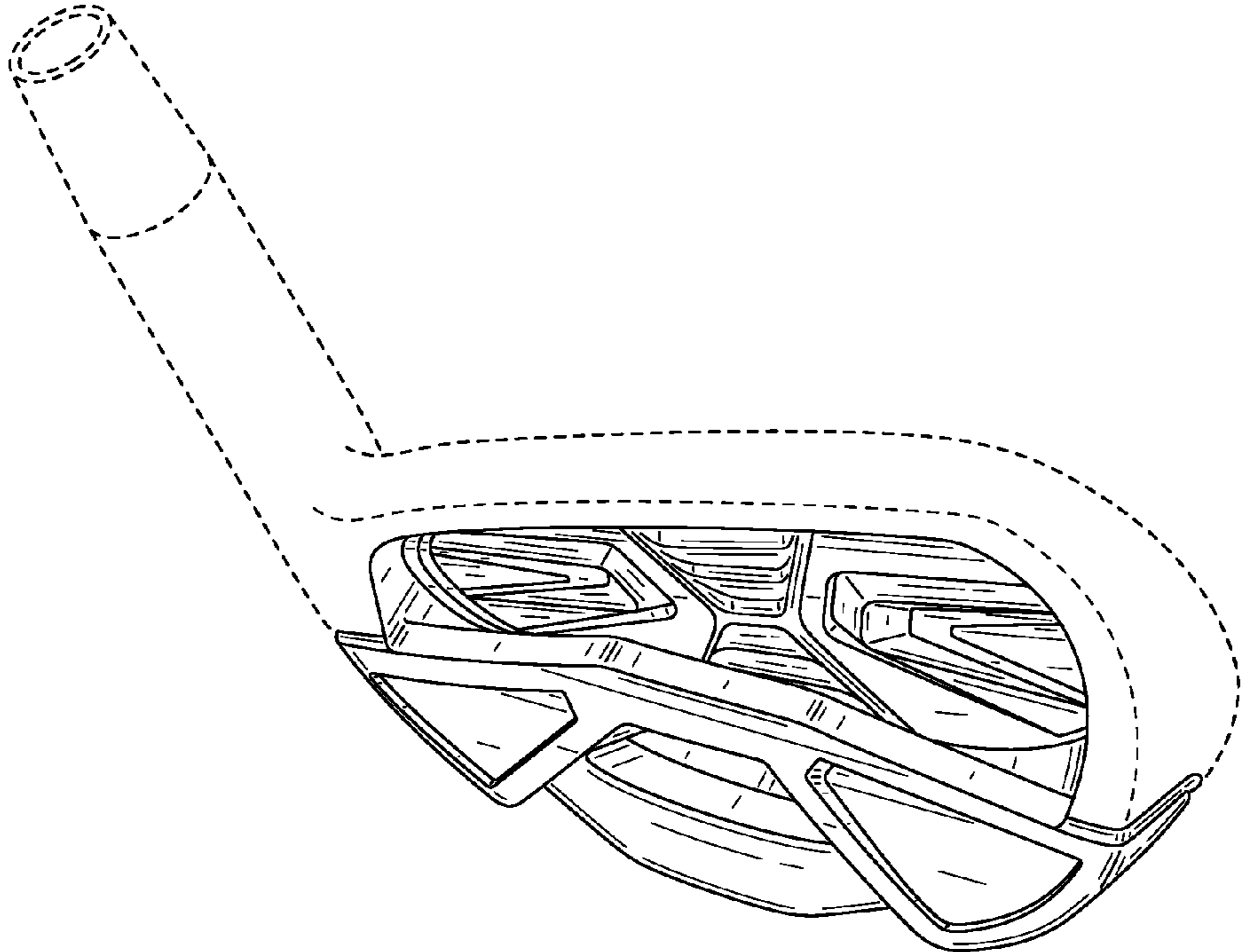


FIG. 1

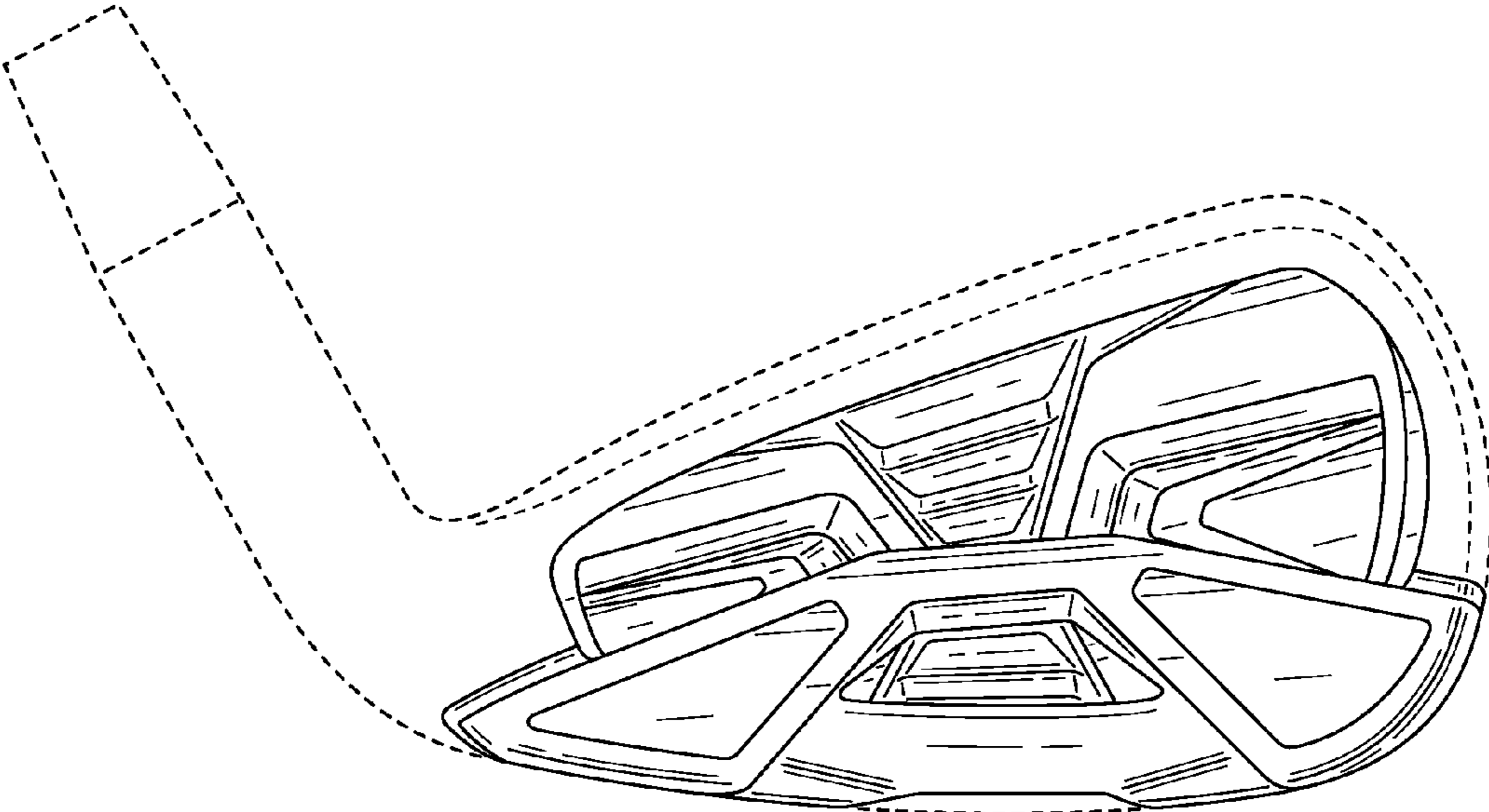


FIG. 2

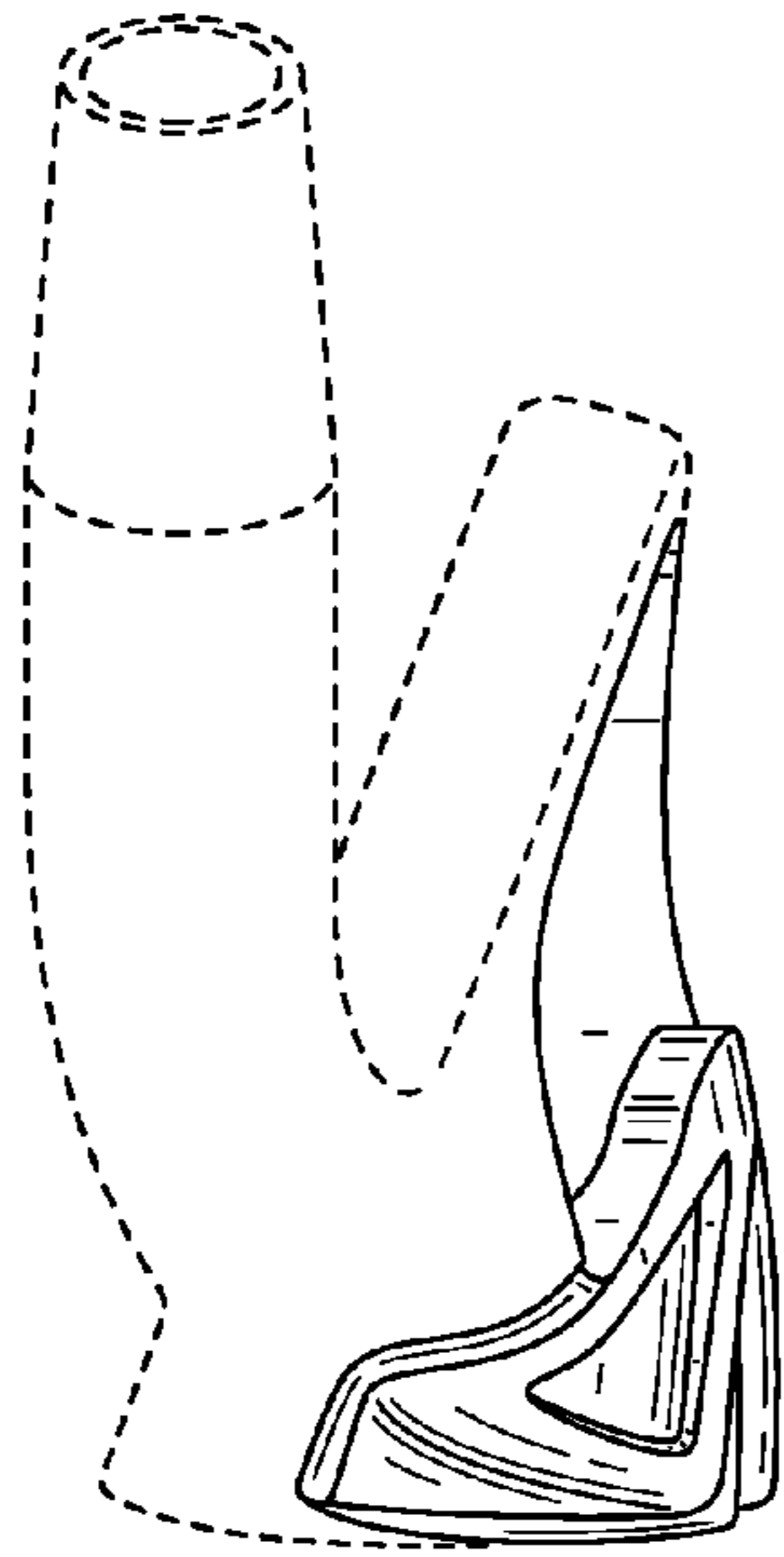


FIG. 3

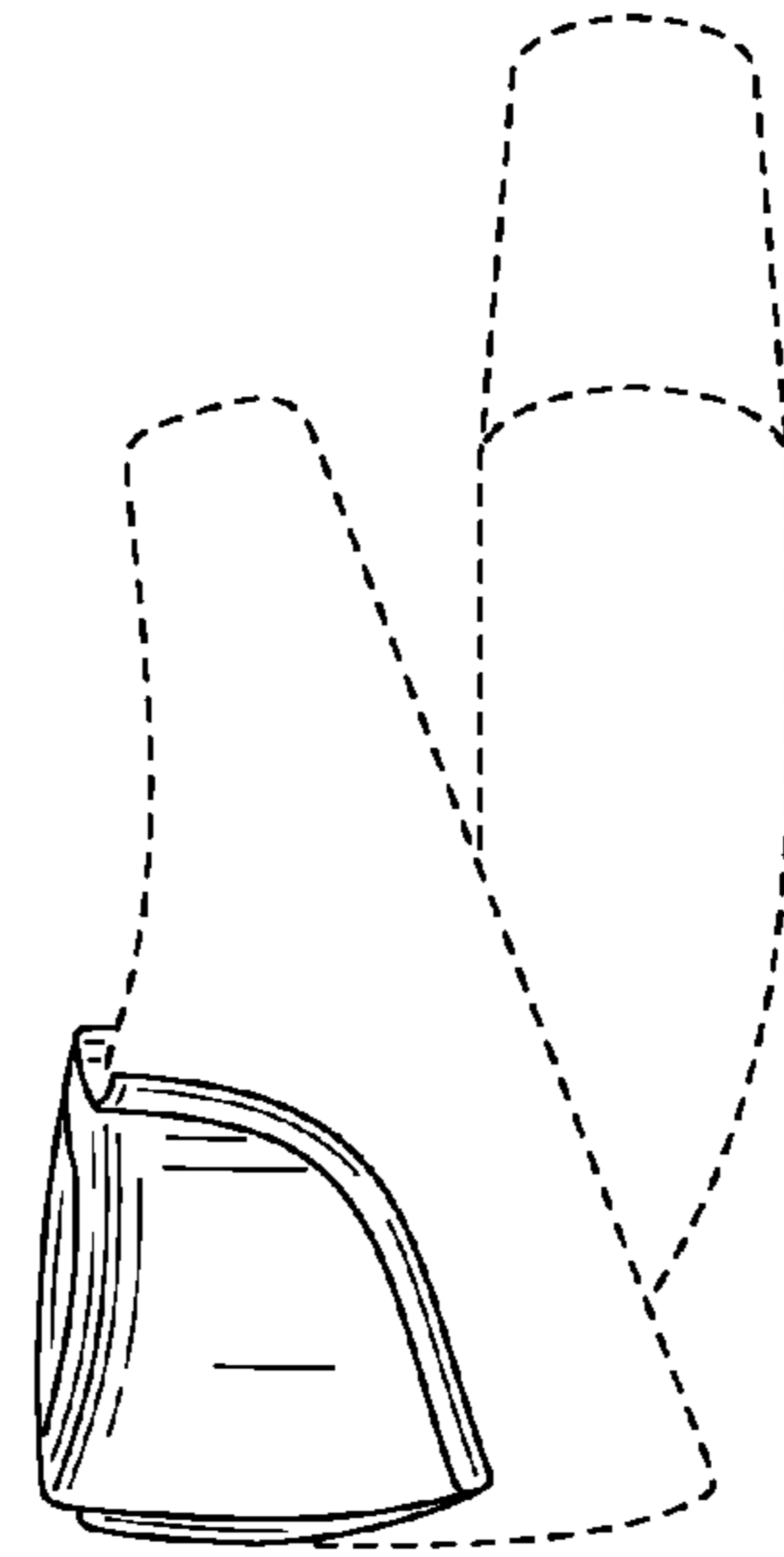


FIG. 4

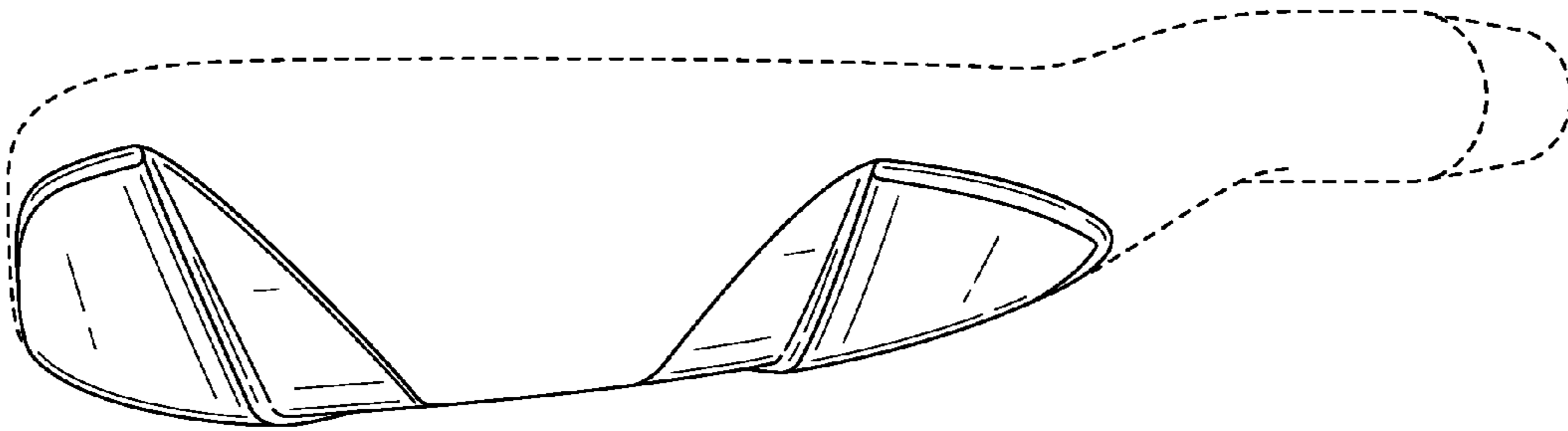


FIG. 5

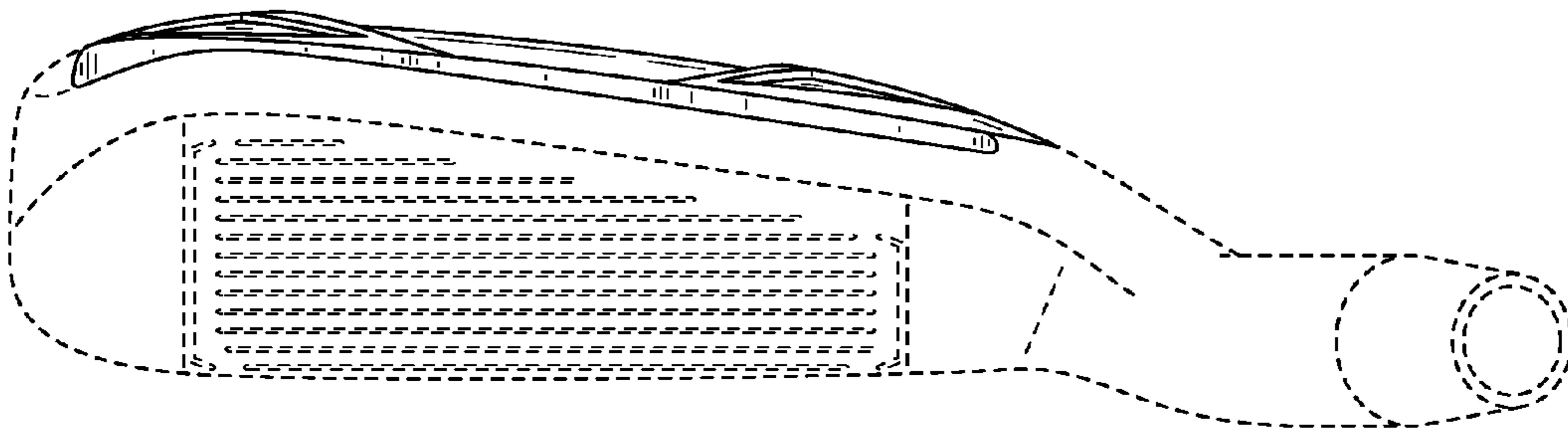


FIG. 6

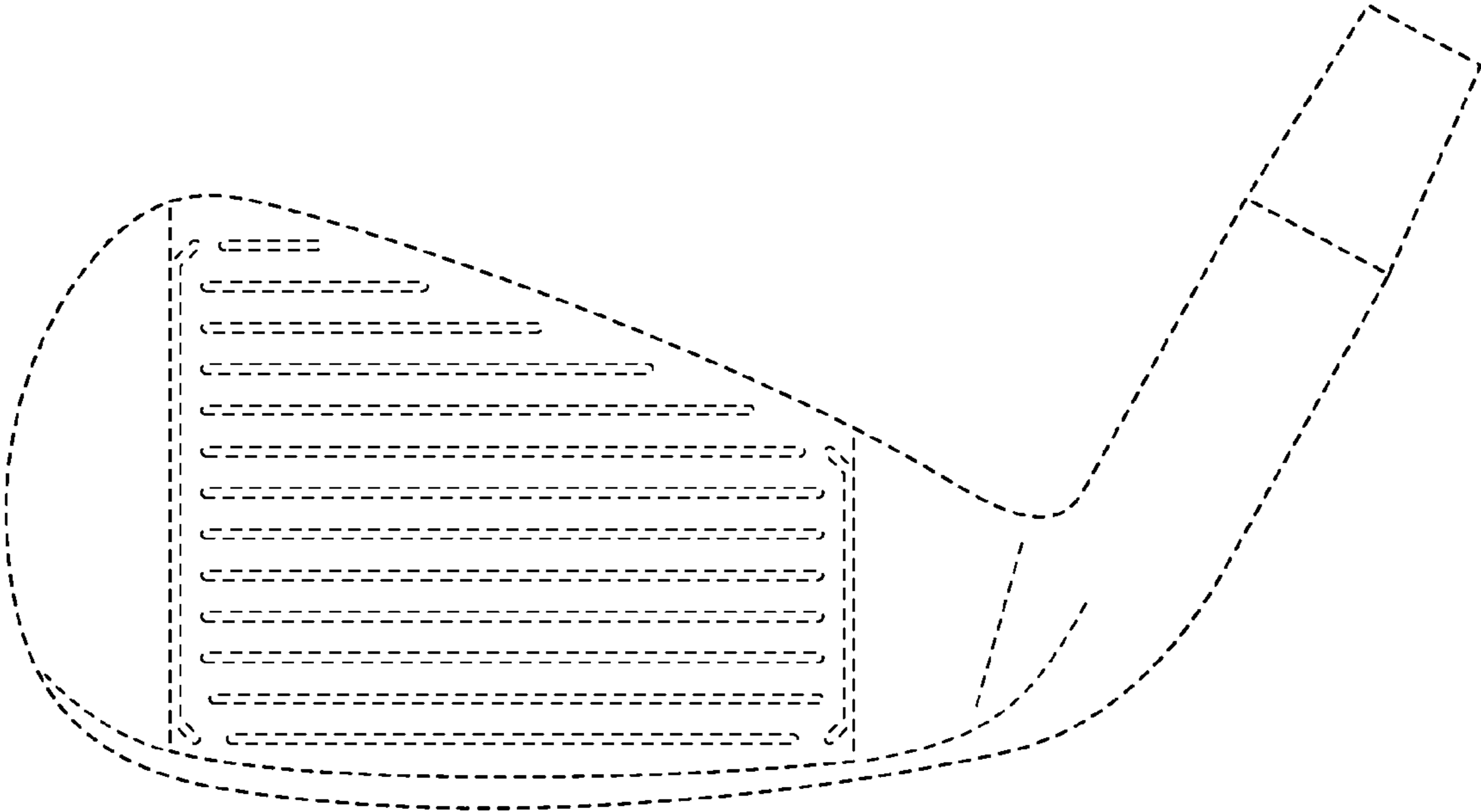


FIG. 7

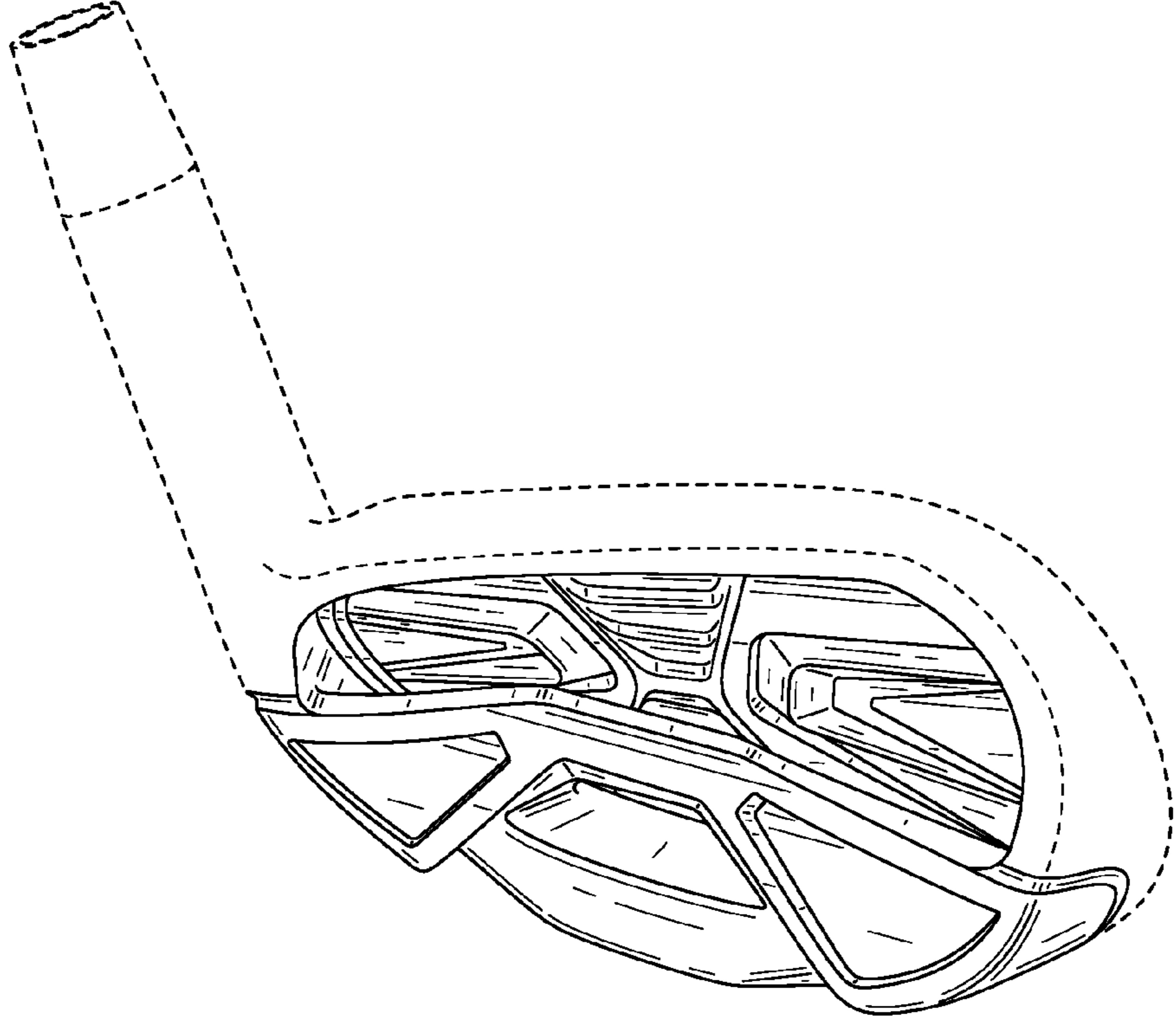


FIG. 8

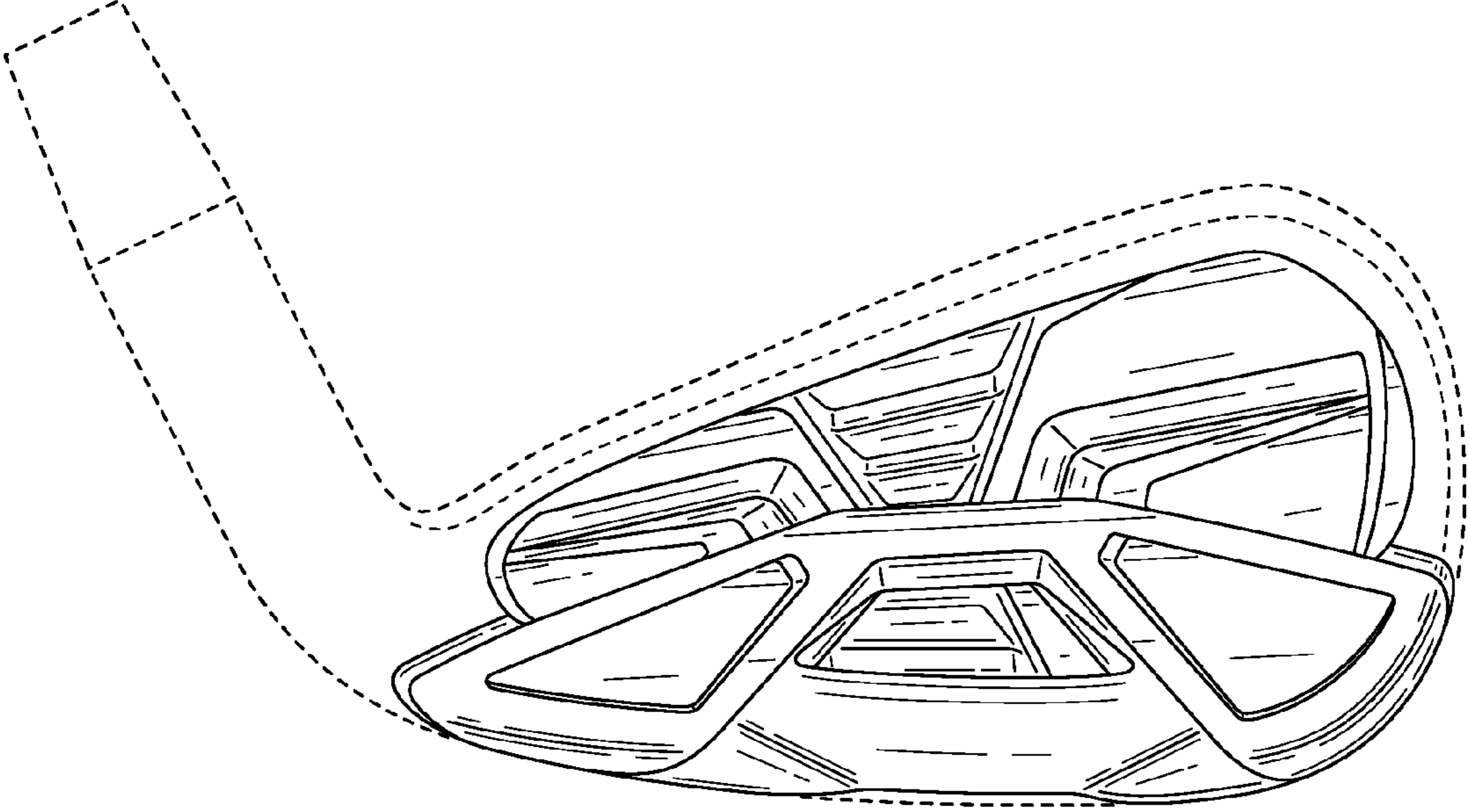


FIG. 9

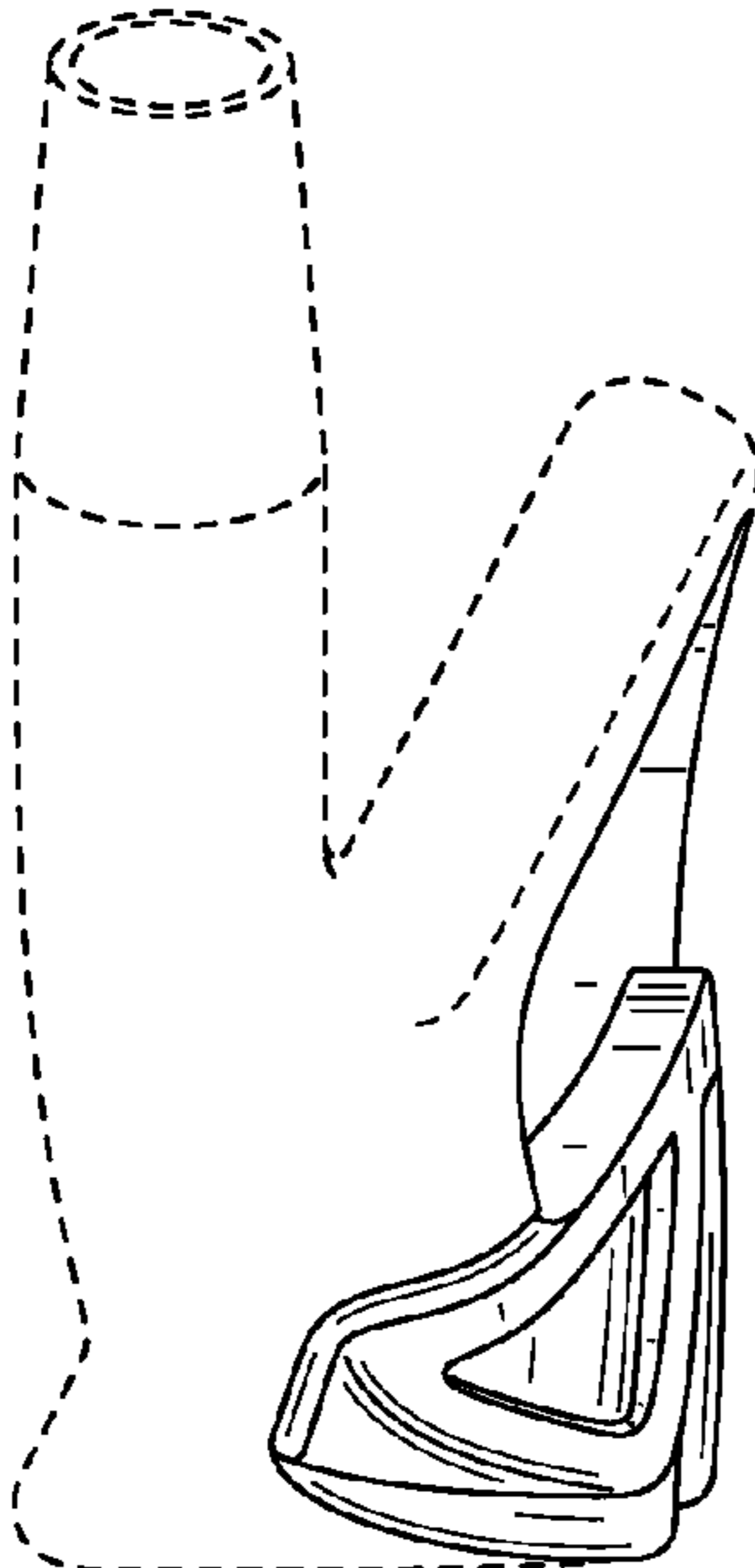


FIG. 10

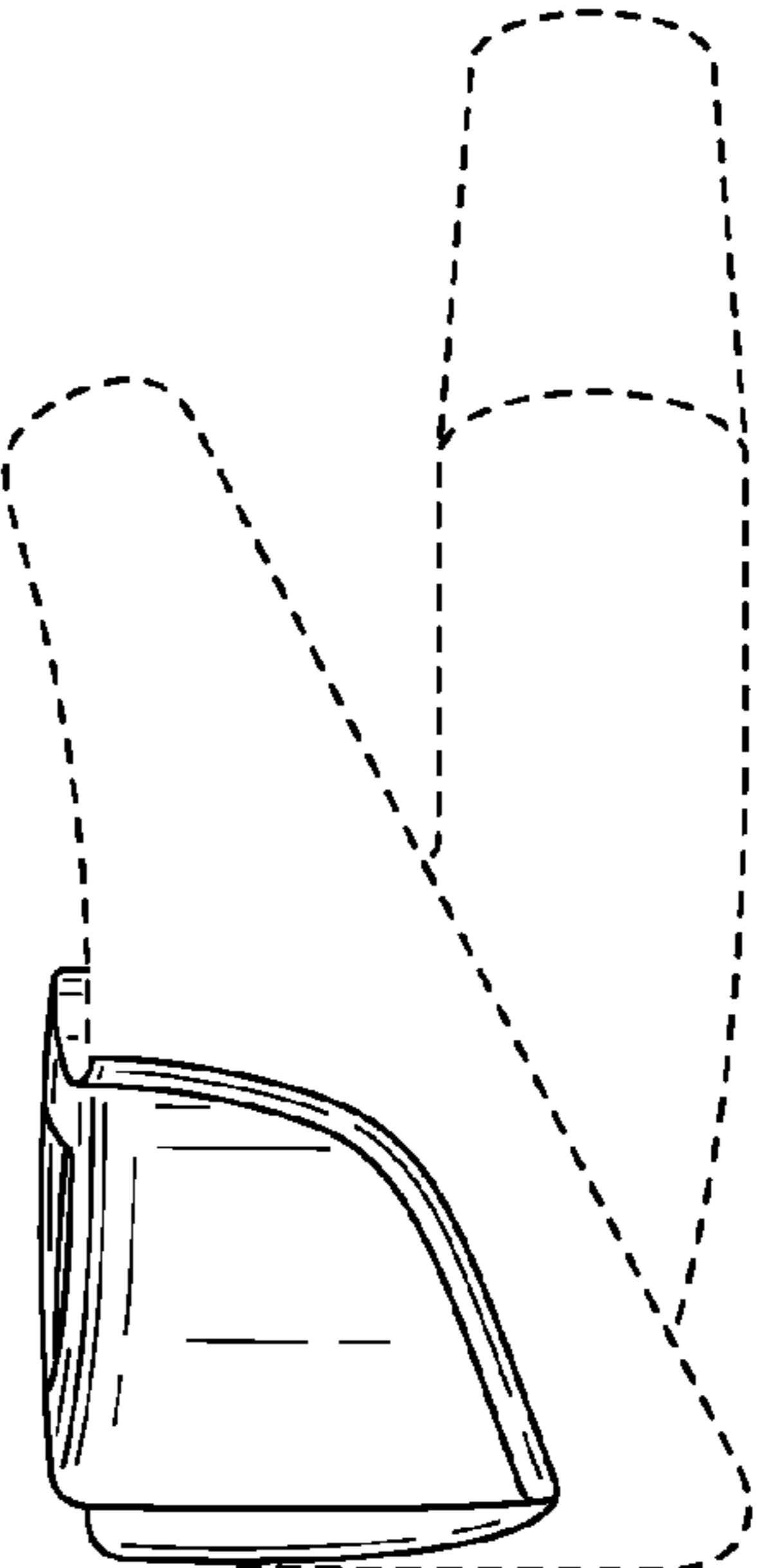


FIG. 11

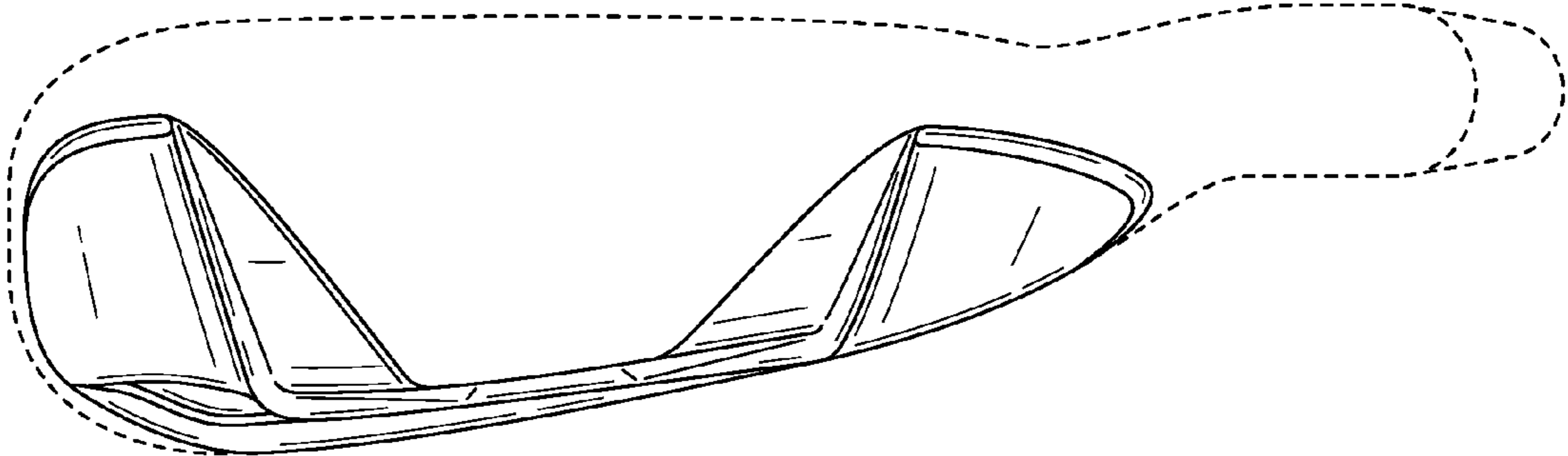


FIG. 12

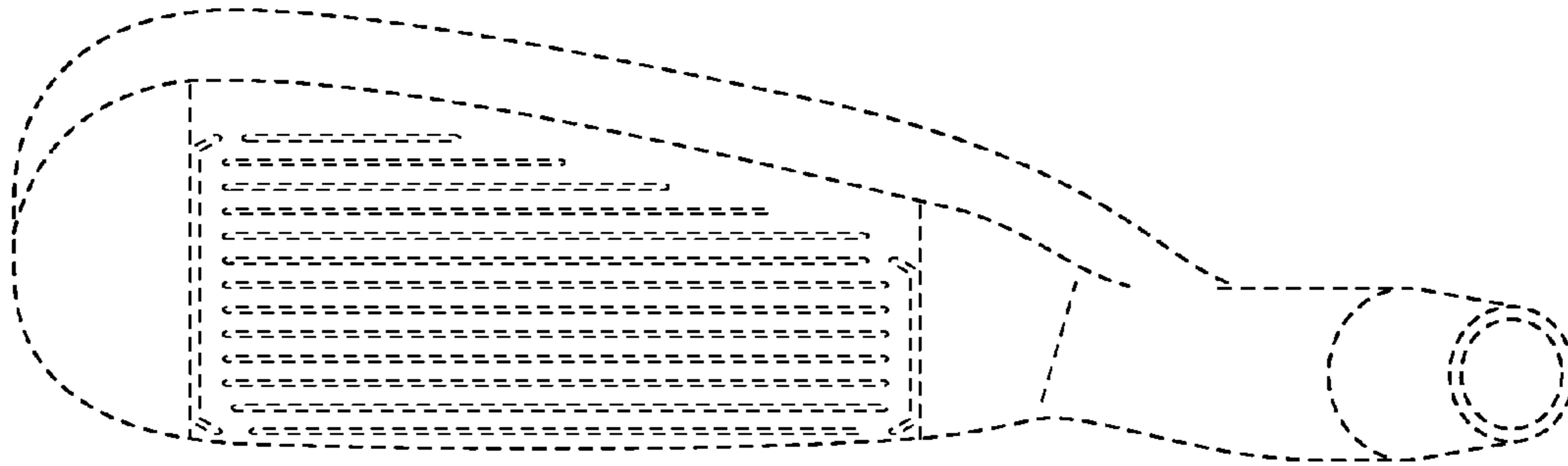


FIG. 13

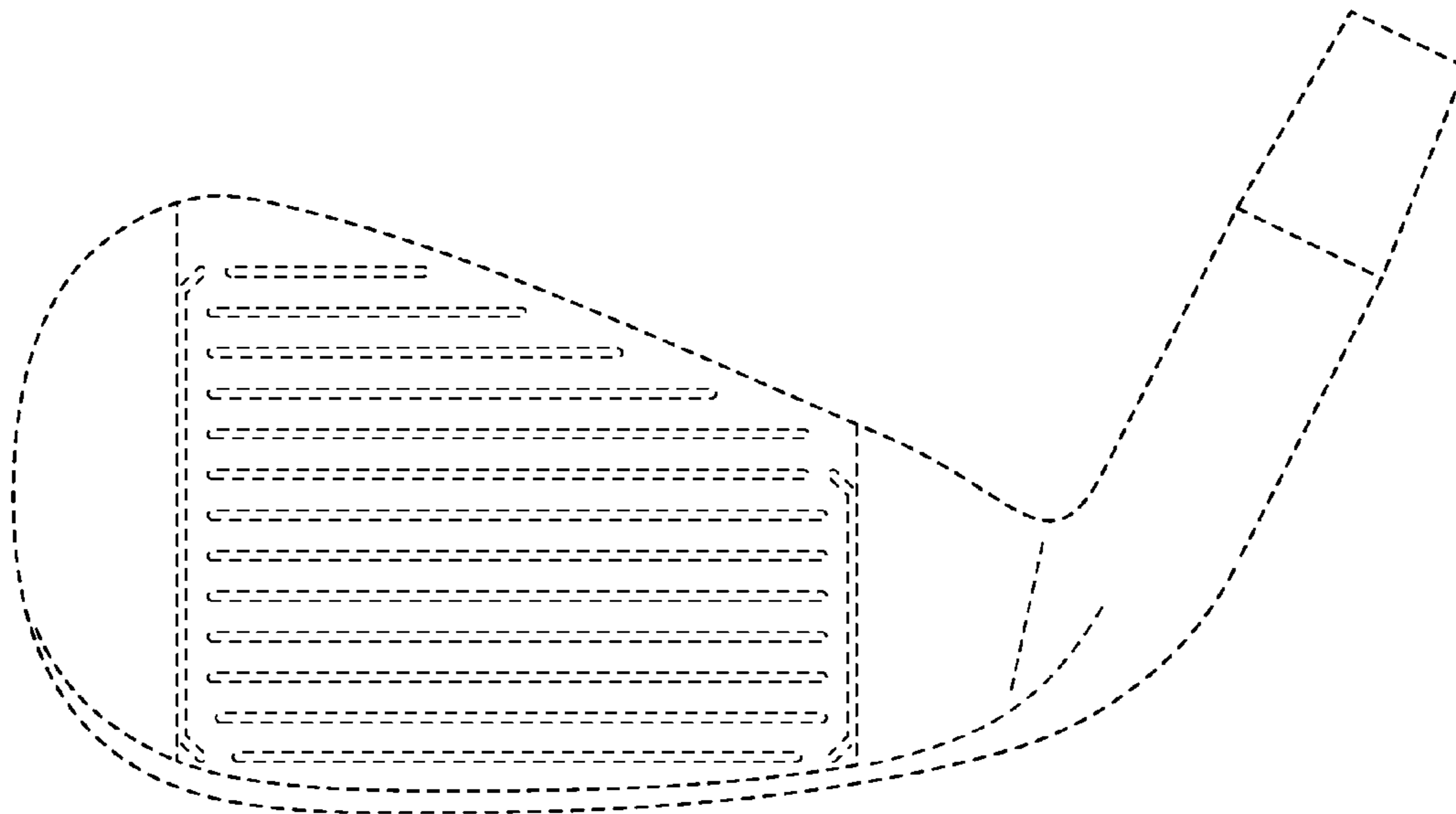


FIG. 14



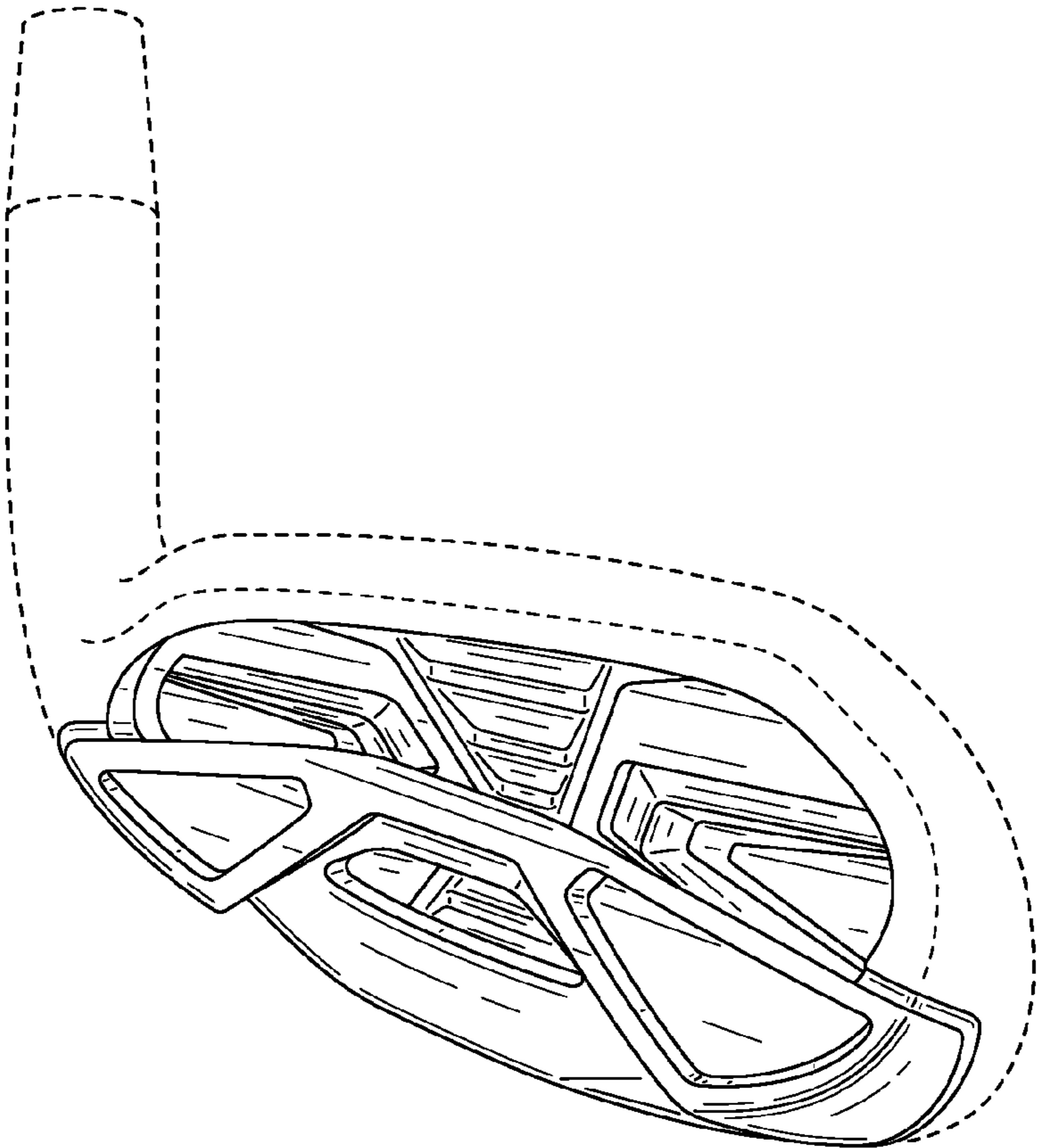


FIG. 15

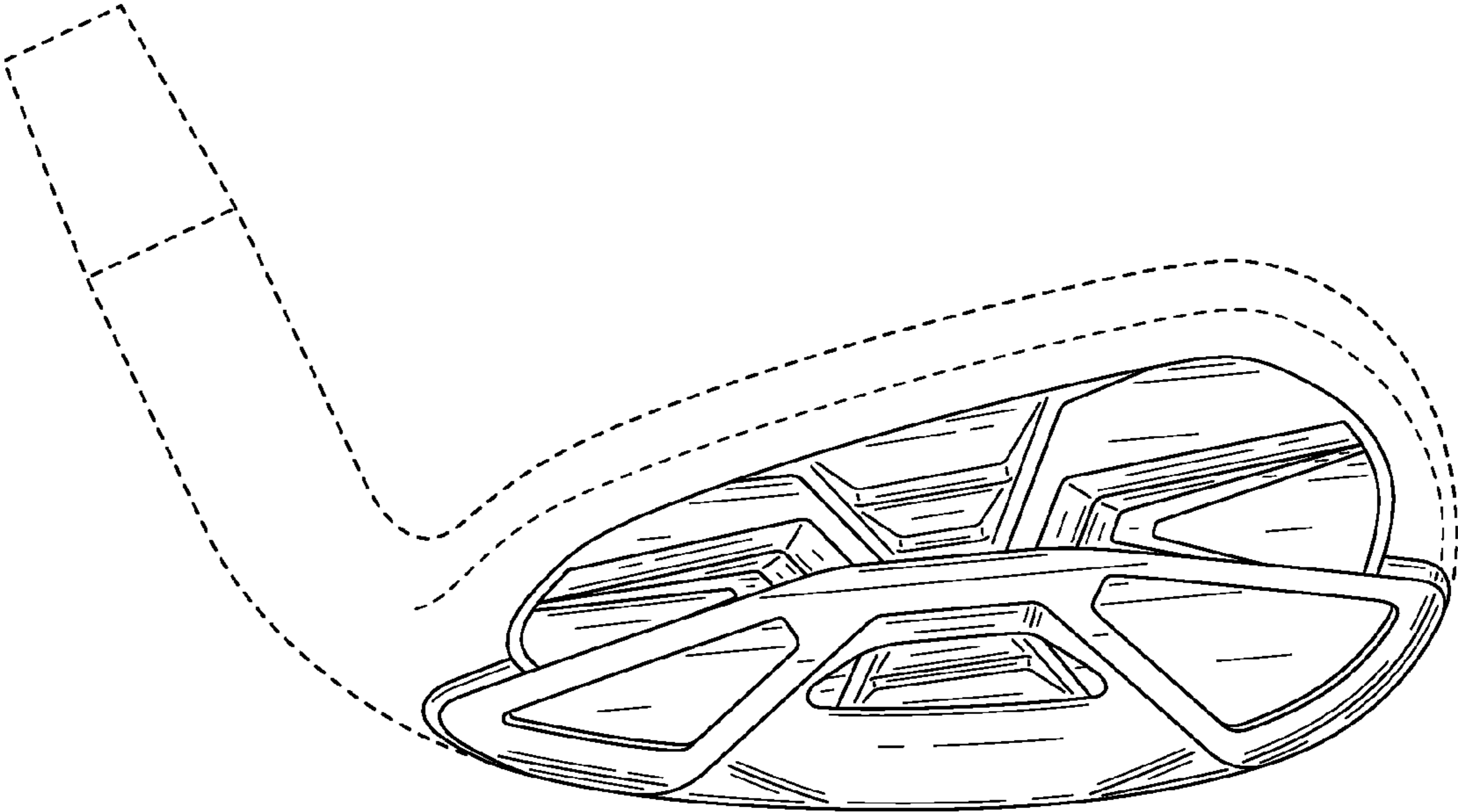


FIG. 16

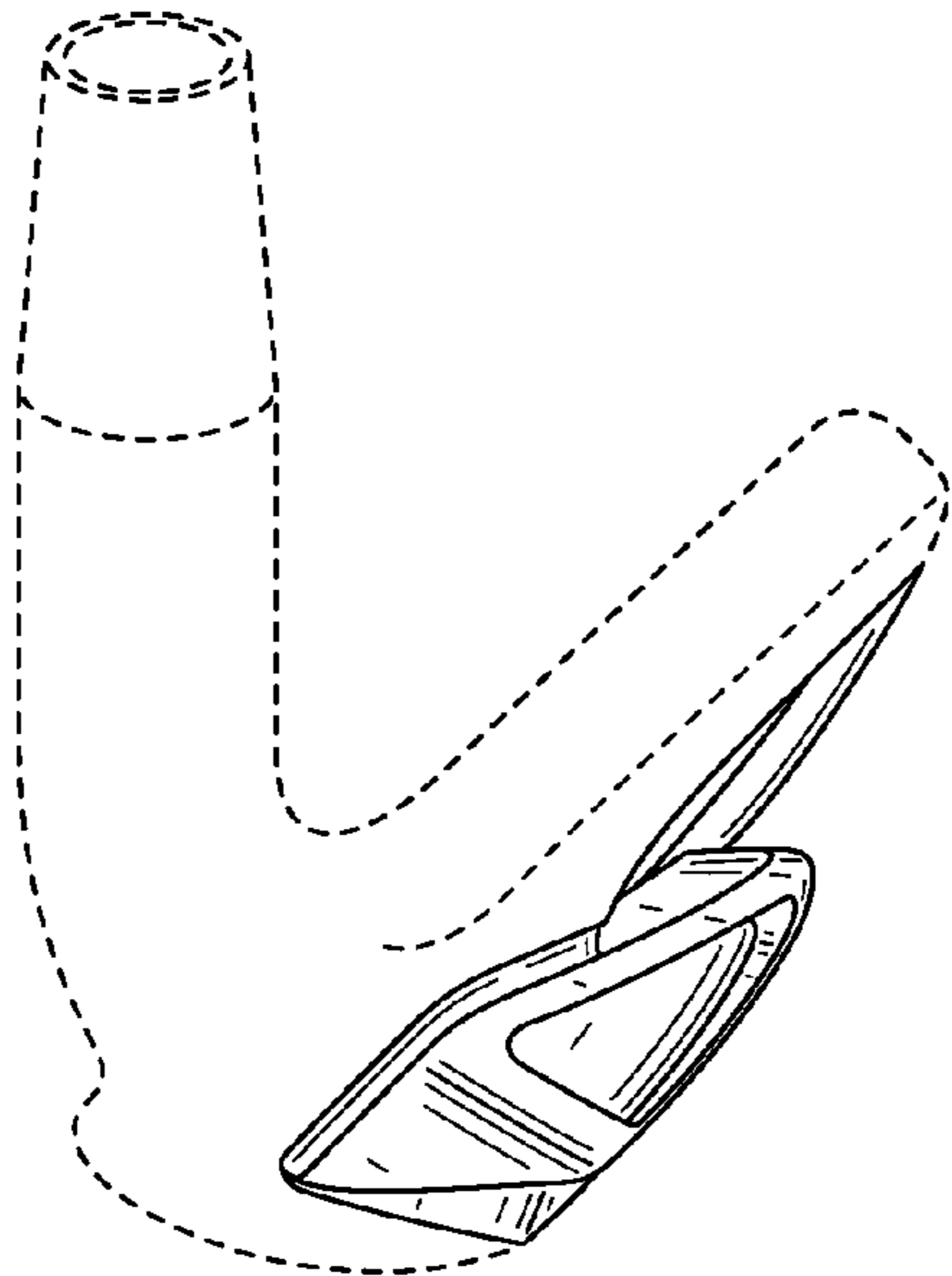


FIG. 17

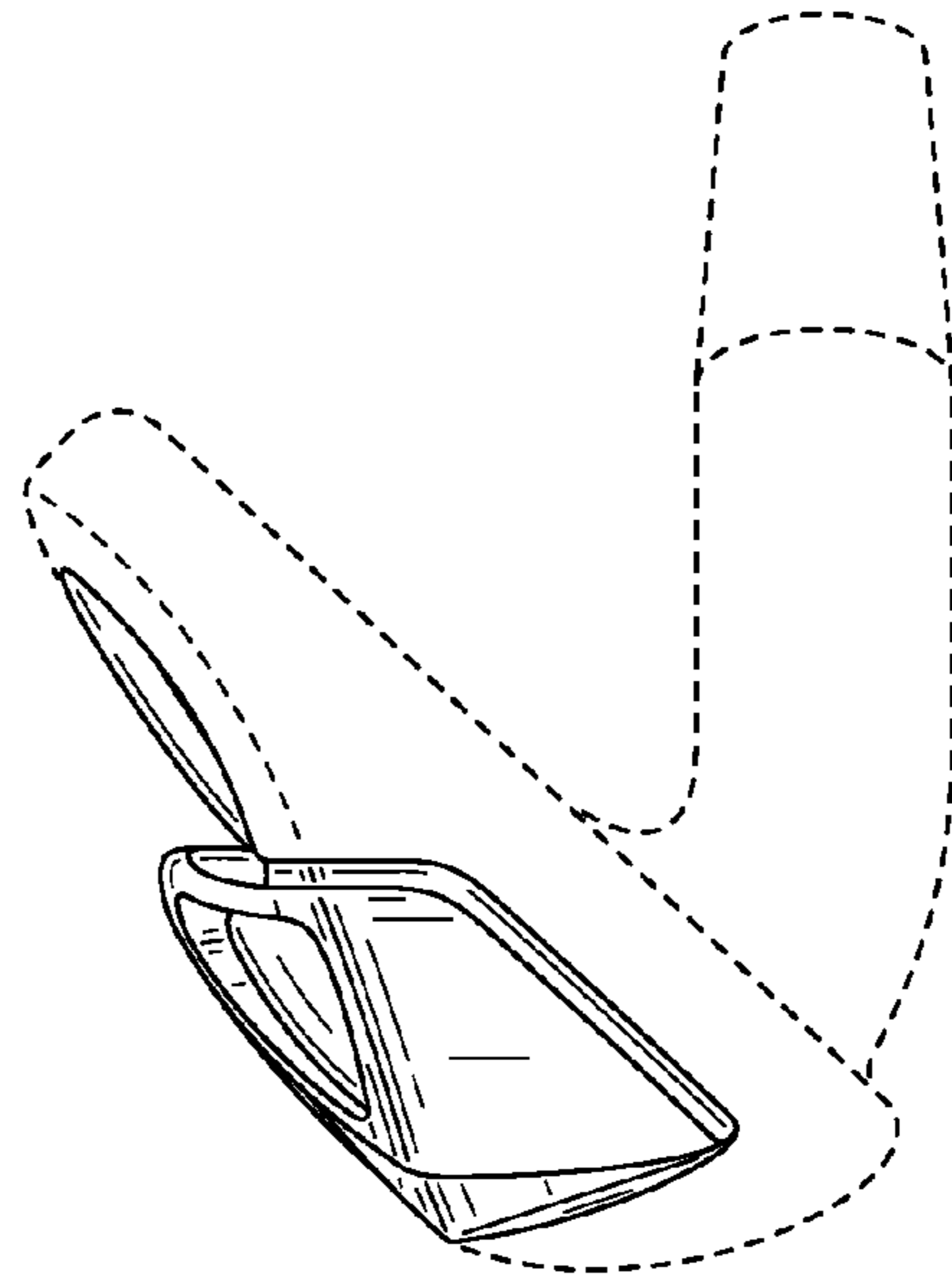


FIG. 18

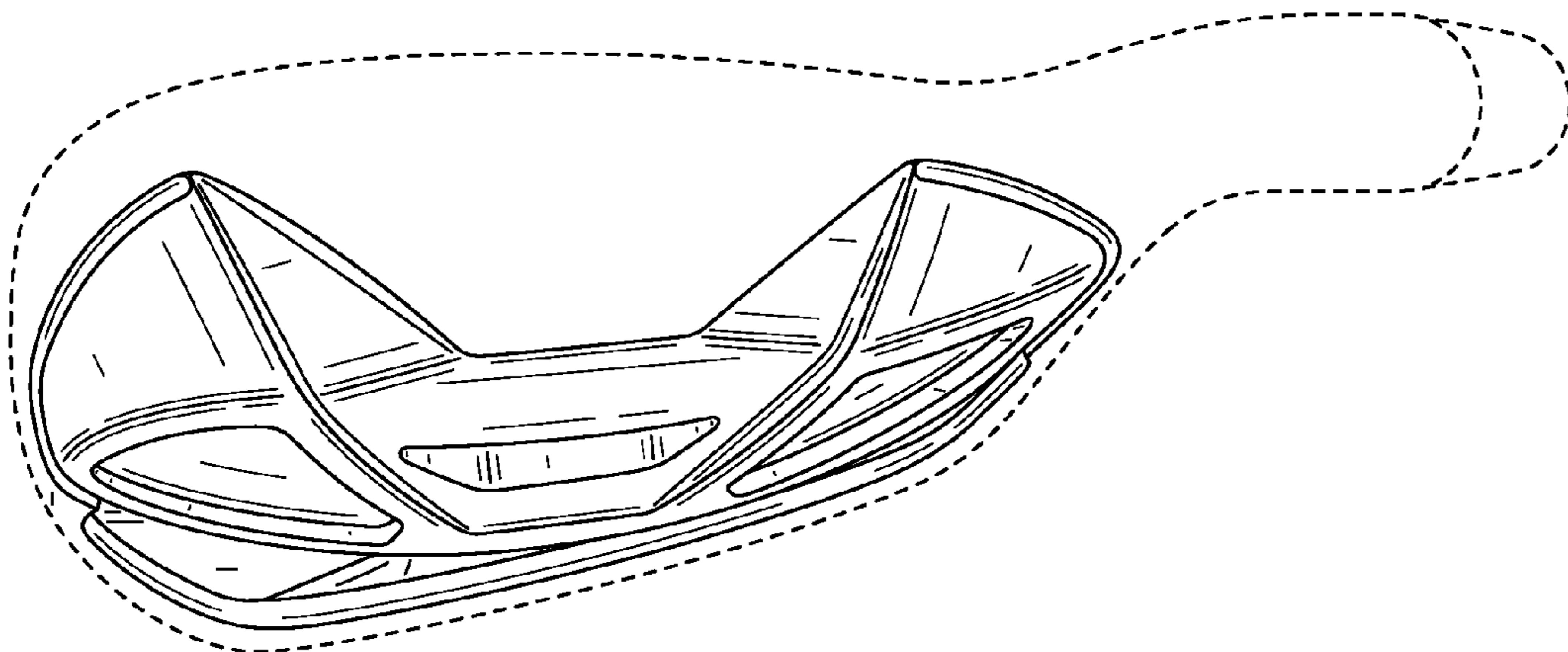


FIG. 19

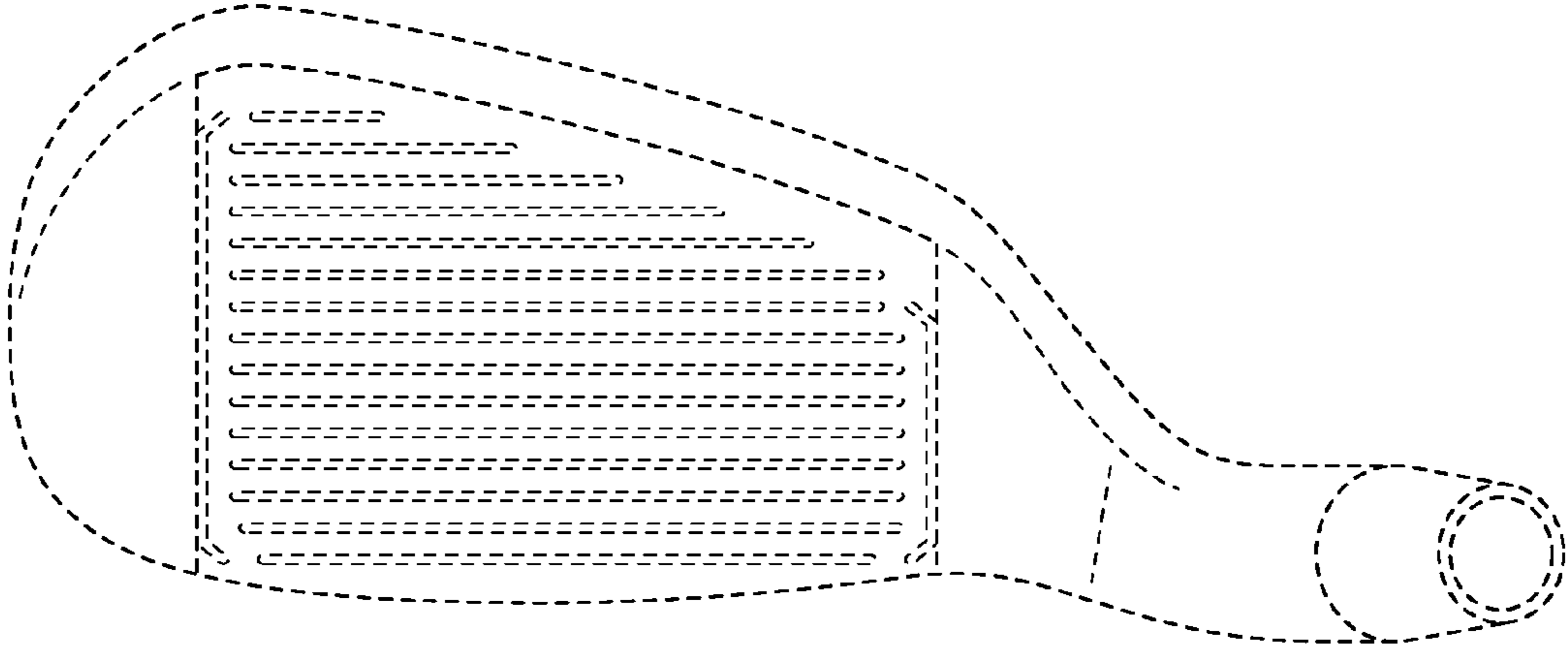


FIG. 20

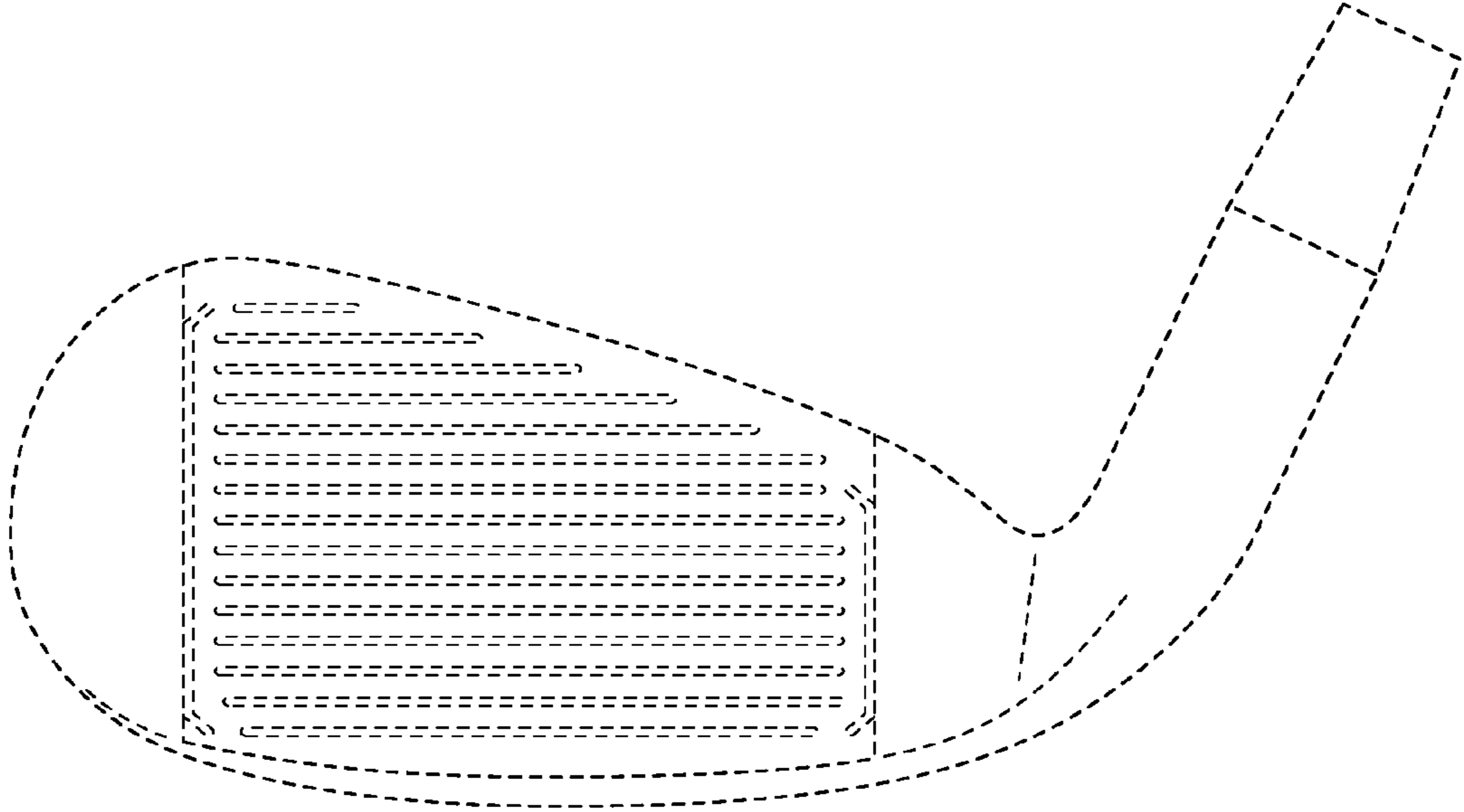


FIG. 21