



US00D622343S

(12) **United States Design Patent**
Khan et al.

(10) **Patent No.:** **US D622,343 S**

(45) **Date of Patent:** **** Aug. 24, 2010**

(54) **GOLF CLUB HEAD**

(75) Inventors: **Armaan Khan**, Long Beach, CA (US);
Jimmy H. Kuan, West Covina, CA
(US); **Michael D. Sandoval**, La Palma,
CA (US); **Adam K. Sheldon**, Long
Beach, CA (US)

(73) Assignee: **SRI Sports Limited**, Kobe-shi (JP)

(**) Term: **14 Years**

(21) Appl. No.: **29/350,039**

(22) Filed: **Nov. 10, 2009**

(51) **LOC (9) Cl.** **21-02**

(52) **U.S. Cl.** **D21/759**

(58) **Field of Classification Search** D21/736–746,
D21/759; 473/324–331, 340, 341, 251–256
See application file for complete search history.

(56) **References Cited**

U.S. PATENT DOCUMENTS

D235,668 S	7/1975	Swash	
6,080,070 A	6/2000	Whitley	
6,319,146 B1	11/2001	Mills	
D458,327 S *	6/2002	Higashida D21/738
6,648,771 B1	11/2003	Mills	
7,048,646 B2	5/2006	Yamanaka et al.	
D526,372 S *	8/2006	Kohno D21/759
D526,373 S	8/2006	Brown	
D532,471 S *	11/2006	Oldknow D21/752
D532,846 S	11/2006	Lee et al.	
D532,854 S *	11/2006	Oldknow D21/752
D537,134 S	2/2007	Imamoto	
D538,364 S	3/2007	Frame et al.	
D539,370 S	3/2007	Imamoto	
D552,196 S *	10/2007	Hueber D21/742
D557,361 S	12/2007	Rollinson	
7,354,356 B2	4/2008	Yamanaka et al.	
D569,462 S	5/2008	Rollinson	
7,374,497 B2	5/2008	Brown	
D571,885 S *	6/2008	Stites et al. D21/759
D572,780 S	7/2008	Rollinson	

7,396,295 B1	7/2008	Frame et al.	
D575,366 S	8/2008	Rollinson	
D577,401 S *	9/2008	Oldknow et al. D21/759
D577,785 S *	9/2008	Oldknow et al. D21/759
D577,787 S *	9/2008	Oldknow et al. D21/759
D578,175 S *	10/2008	Oldknow D21/759
D587,326 S	2/2009	Ines et al.	
D587,771 S	3/2009	Kuan et al.	
D592,717 S	5/2009	Rollinson	
D595,372 S	6/2009	Rollinson	
D595,793 S	7/2009	Rollinson	
D600,760 S *	9/2009	Serrano et al. D21/736
2007/0238550 A1	10/2007	Tateno	
2008/0200282 A1	8/2008	Frame et al.	
2009/0105008 A1	4/2009	Kuan et al.	

* cited by examiner

Primary Examiner—Mitchell I Siegel

(74) *Attorney, Agent, or Firm*—Oliff & Berridge, PLC

(57) **CLAIM**

The ornamental design for a golf club head, as shown and described.

DESCRIPTION

FIG. 1 is a bottom plan view of a golf club head embodying the inventive design.

FIG. 2 is a top plan view thereof.

FIG. 3 is a heel-side elevational view thereof.

FIG. 4 is a toe-side elevational view thereof.

FIG. 5 is a rear elevational view thereof.

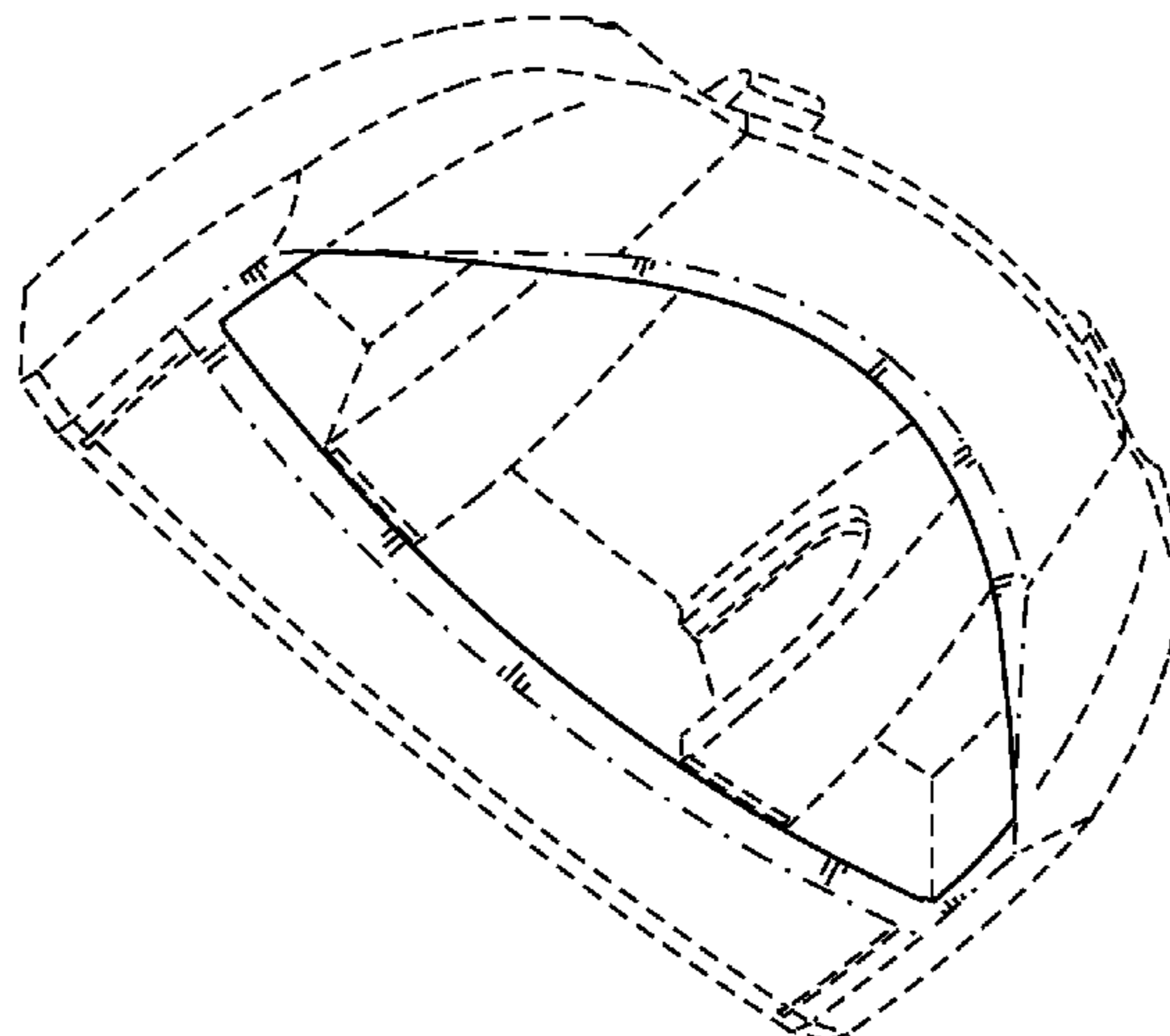
FIG. 6 is a front elevational view thereof.

FIG. 7 is a top rear perspective view thereof; and,

FIG. 8 is a bottom rear perspective view thereof.

The dash-dot chain lines indicate the boundary of the claimed design. The dashed lines are directed to the environment of the claimed design and are for illustrative purposes only. The dash-dot chain lines and dashed lines form no part of the claimed design.

1 Claim, 8 Drawing Sheets



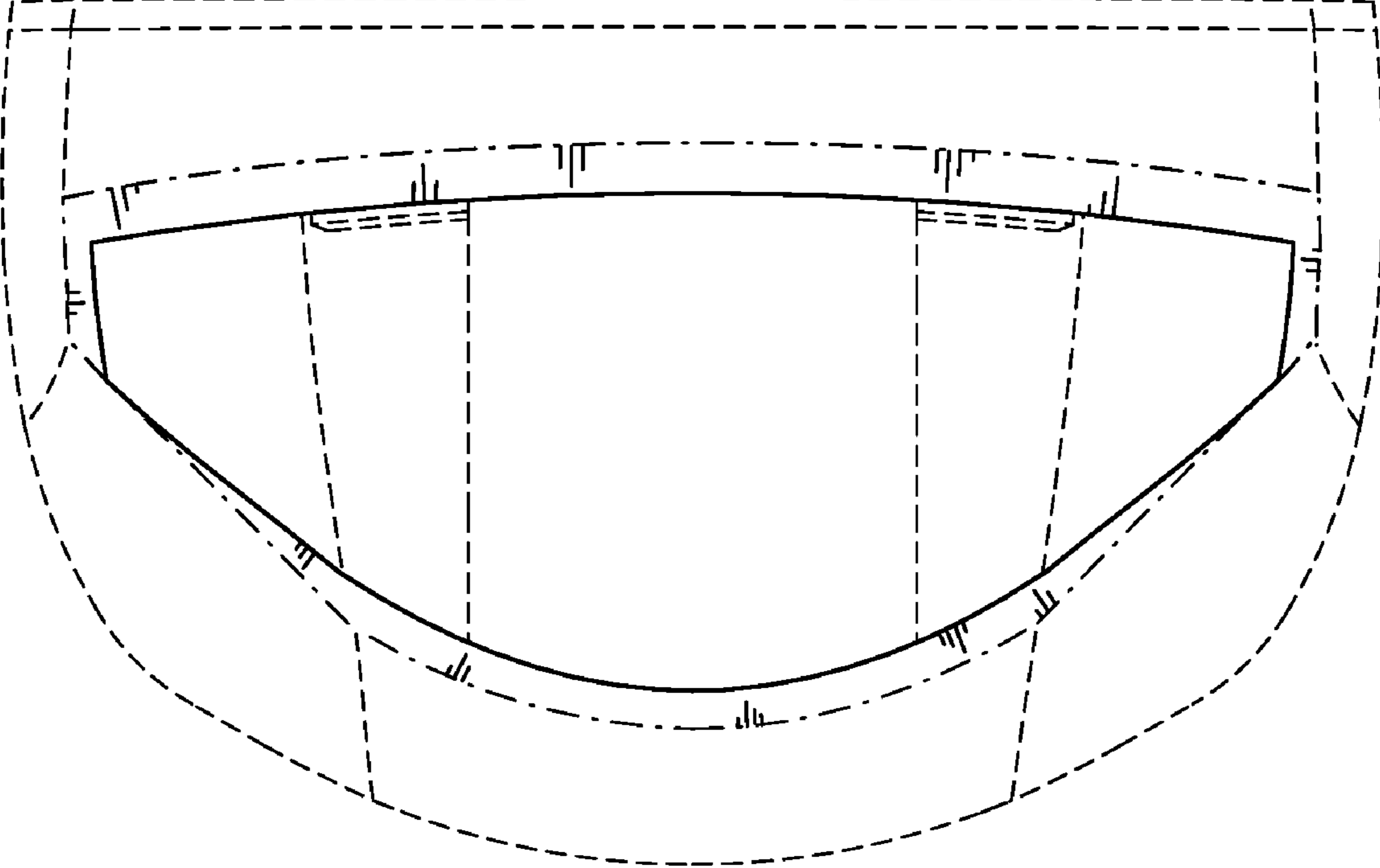


FIG. 1

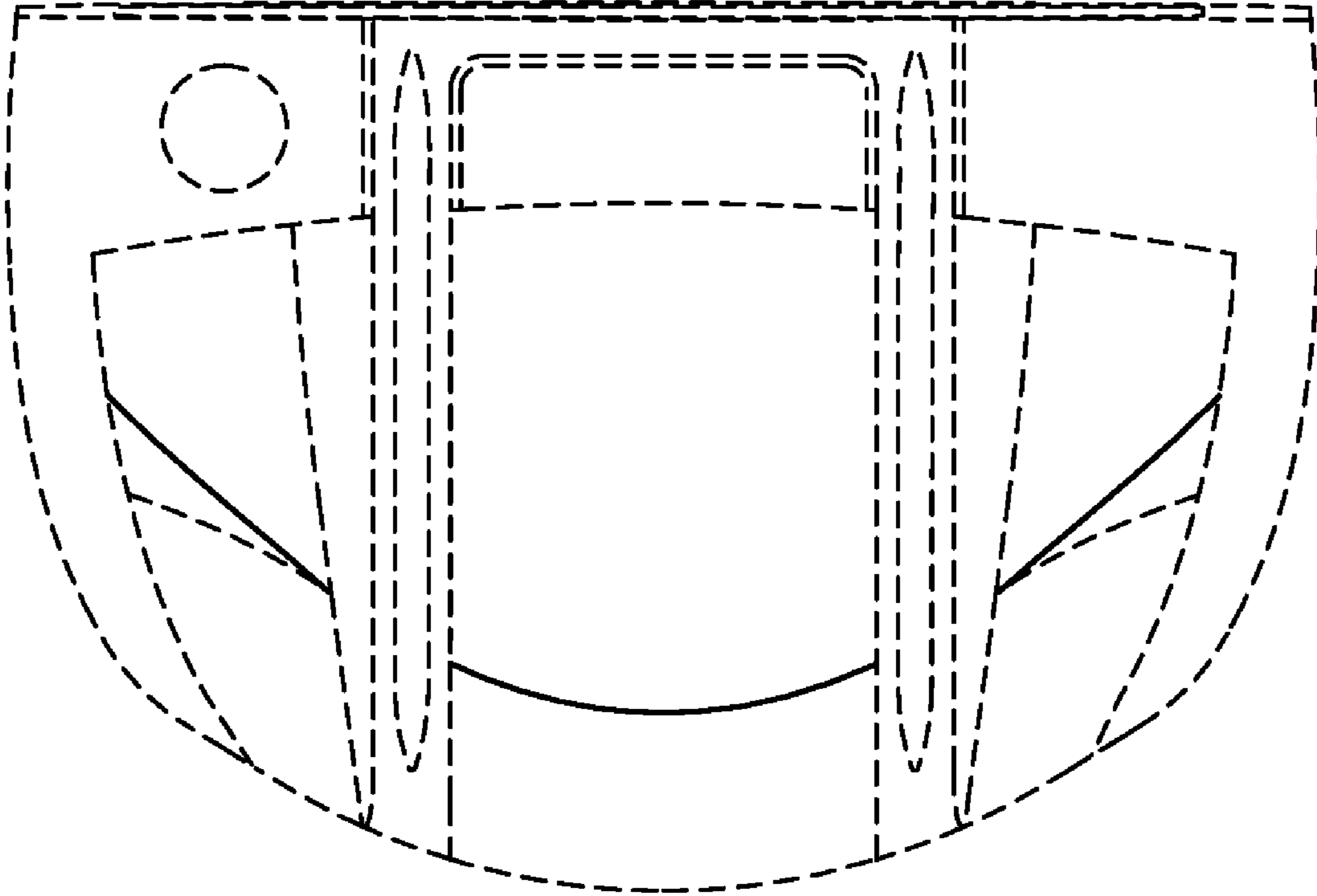


FIG. 2

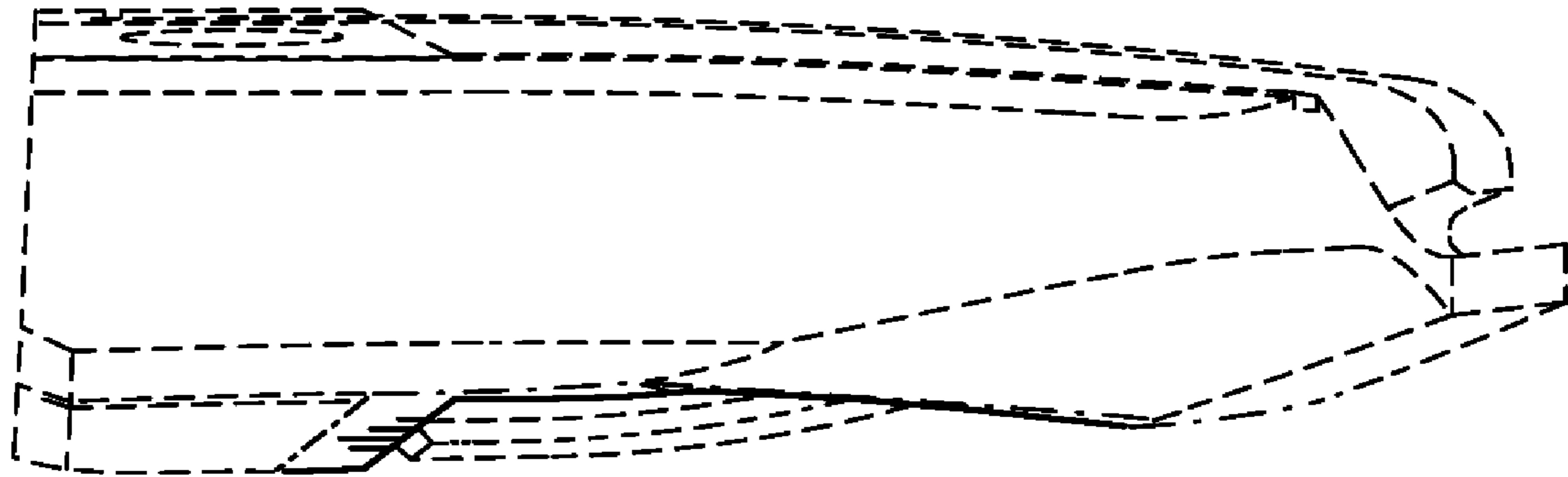


FIG. 3

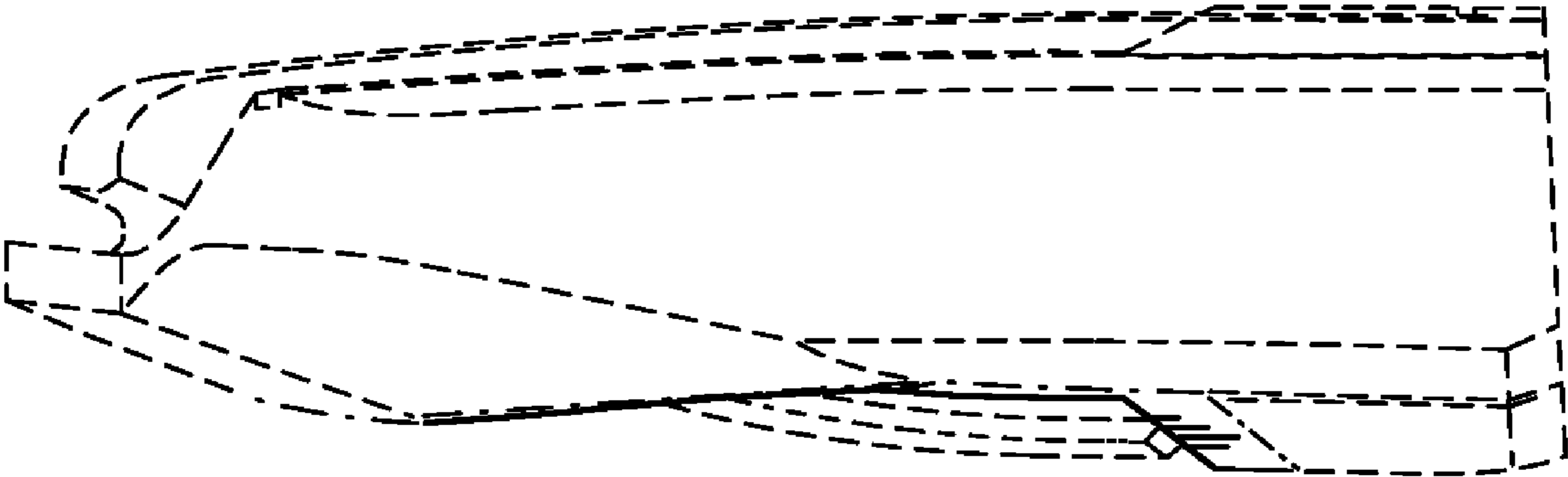


FIG. 4

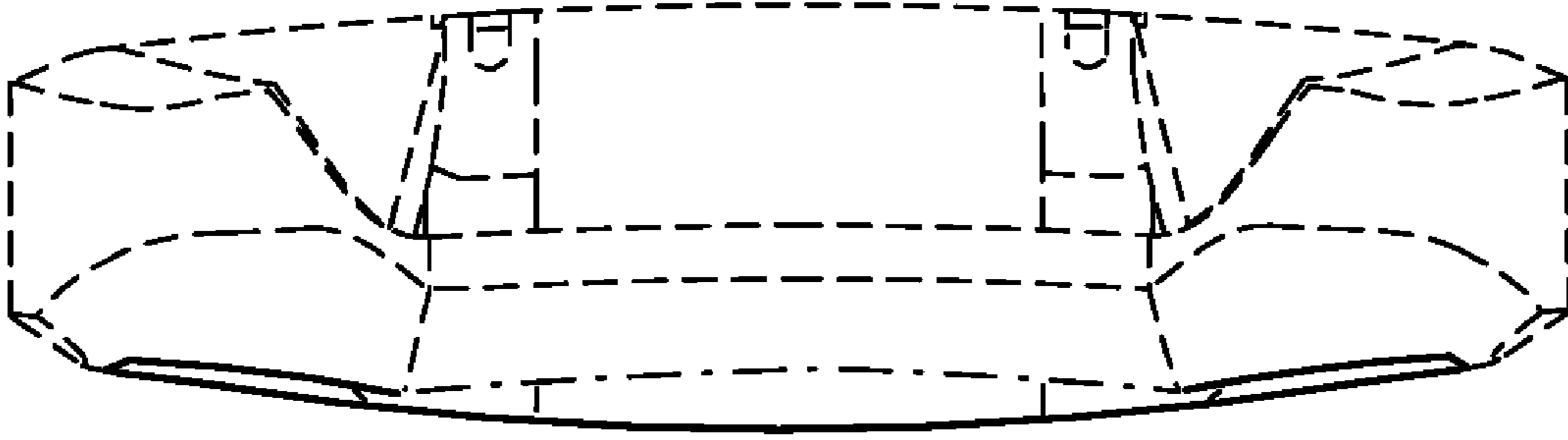


FIG. 5

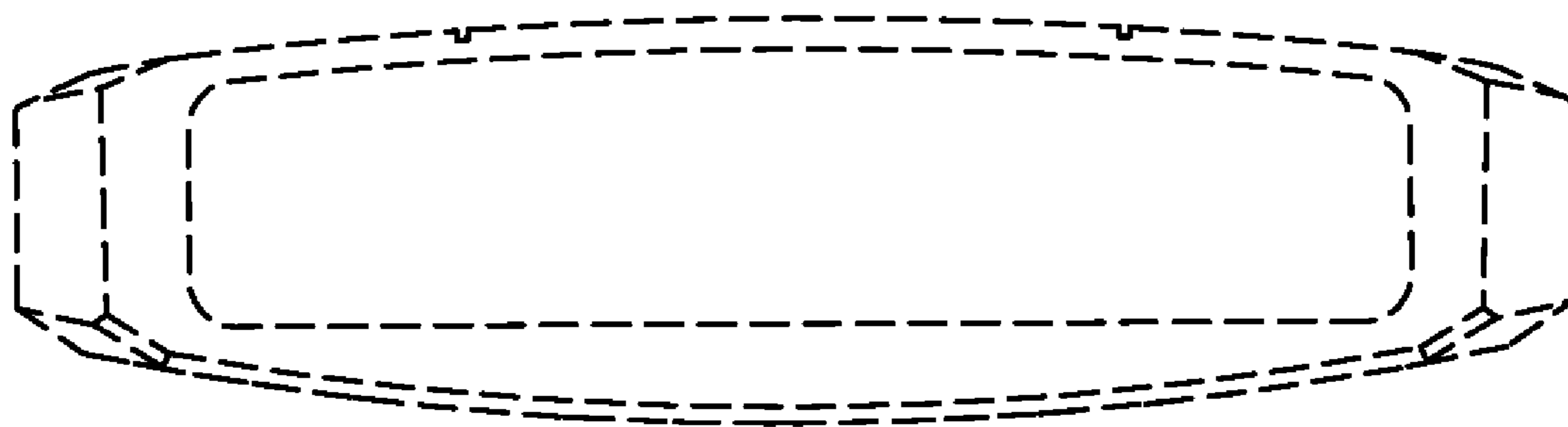


FIG. 6

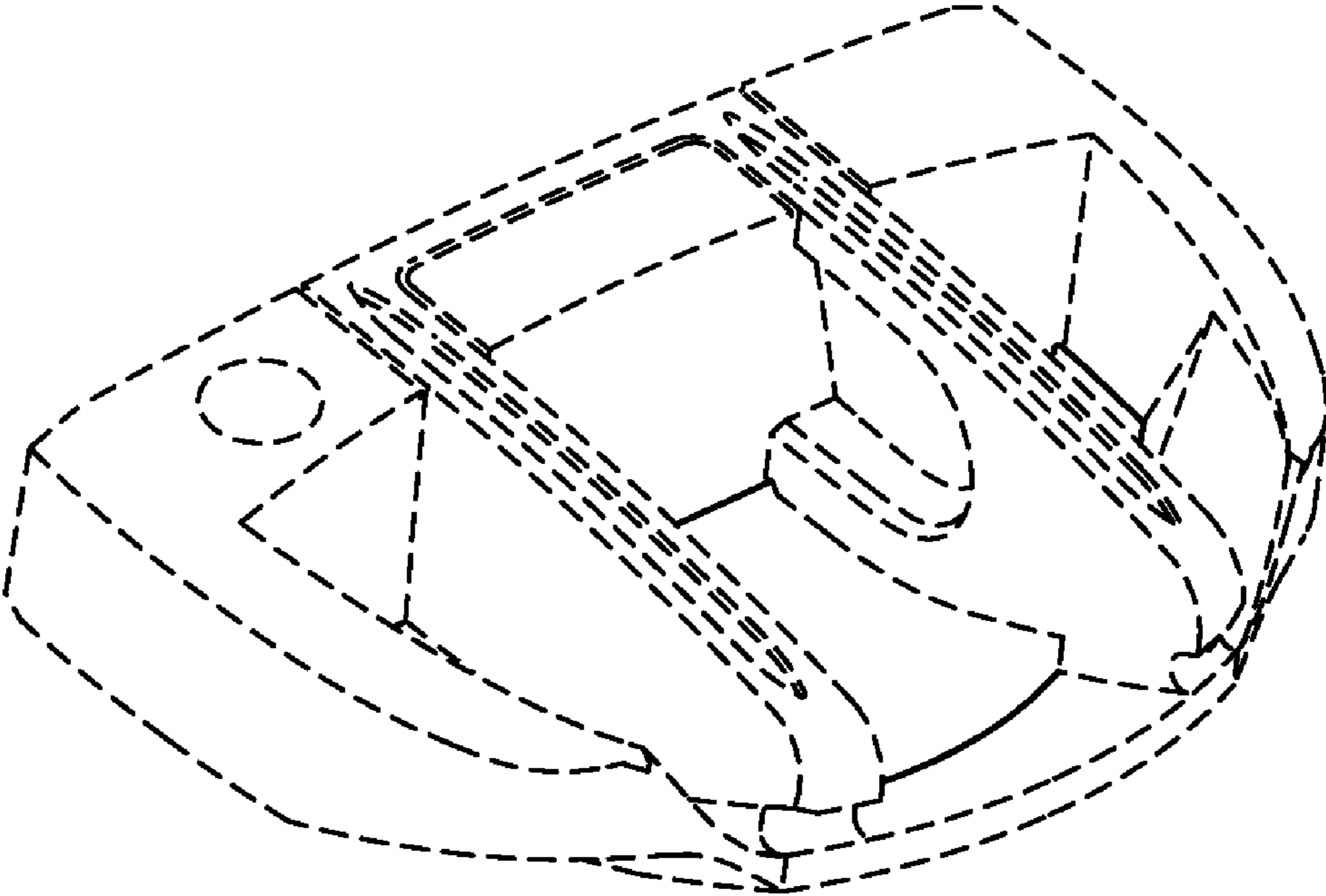


FIG. 7

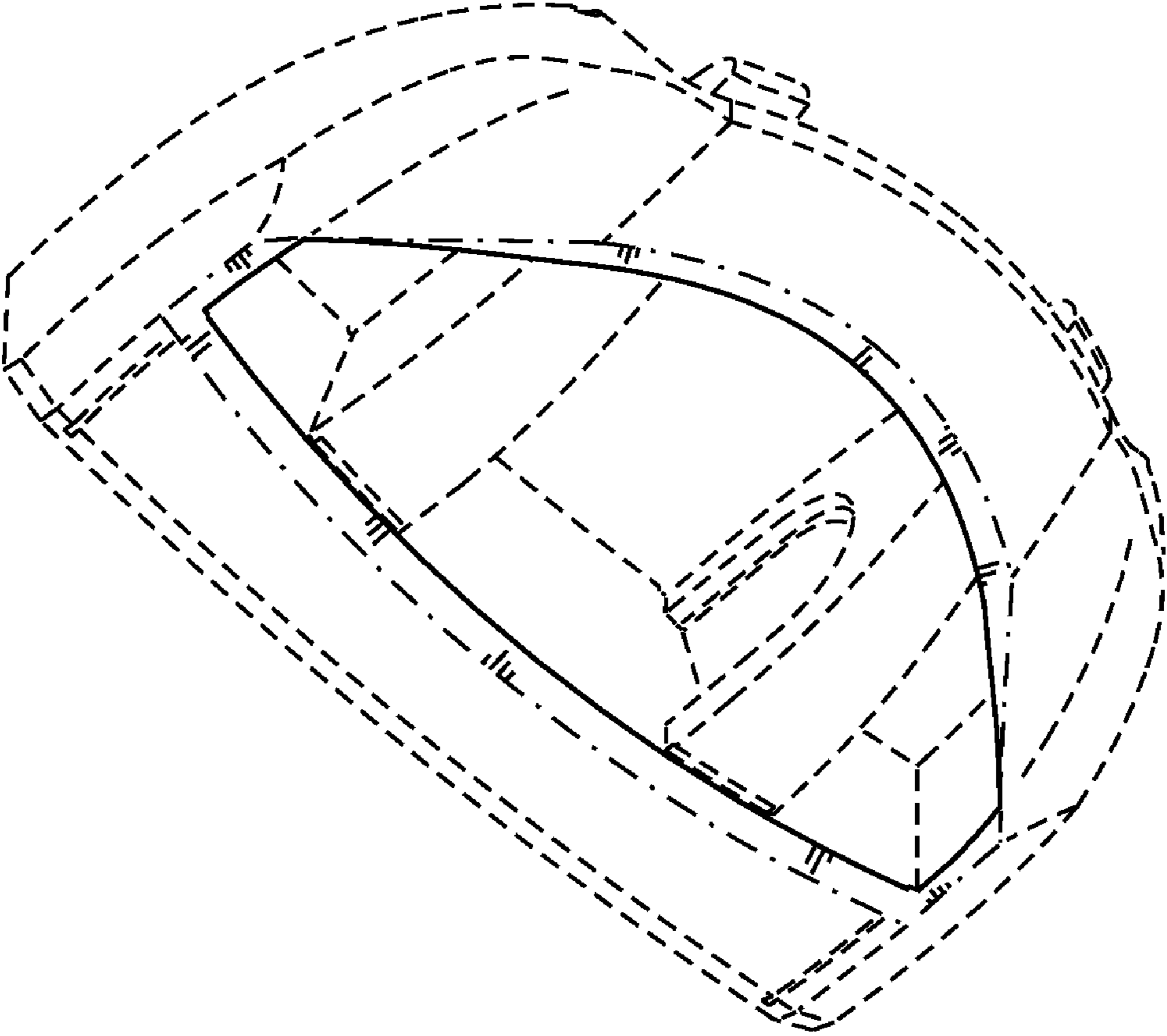


FIG. 8