



US00D622342S

(12) **United States Design Patent**
Kramski

(10) **Patent No.:** **US D622,342 S**

(45) **Date of Patent:** **** Aug. 24, 2010**

(54) **GOLF PUTTER HEAD**

(75) Inventor: **Wiestaw Kramski**, Birkenfeld (DE)

(73) Assignee: **Kramski Putter GmbH**, Birkenfeld (DE)

(**) Term: **14 Years**

(21) Appl. No.: **29/338,155**

(22) Filed: **Jun. 5, 2009**

(30) **Foreign Application Priority Data**

Dec. 5, 2008 (DE) 40 20090 005 836.4
Feb. 20, 2009 (DE) 40 2009 000 885.8

(51) **LOC (9) Cl.** **21-02**

(52) **U.S. Cl.** **D21/759**

(58) **Field of Classification Search** D21/736-746,
D21/759; 473/324-331, 340-341, 251-256
See application file for complete search history.

(56) **References Cited**

U.S. PATENT DOCUMENTS

D398,354 S * 9/1998 Carter D21/742
D422,655 S * 4/2000 Hicks D21/736
D422,656 S * 4/2000 Hicks D21/736

D430,246 S * 8/2000 Chiou et al. D21/736
D432,192 S * 10/2000 Hicks D21/736
D456,054 S * 4/2002 Hicks D21/736
D460,136 S * 7/2002 Chambers et al. D21/742
D571,880 S * 6/2008 Ban et al. D21/744

* cited by examiner

Primary Examiner—Mitchell I Siegel

(74) *Attorney, Agent, or Firm*—Volpe and Koenig, P.C.

(57) **CLAIM**

I claim the golf putter head, as shown and described.

DESCRIPTION

FIG. 1 is a rear elevational view of the golf putter head in accordance with my design;

FIG. 2 is a top plan view thereof;

FIG. 3 is a right side elevational view thereof, the undisclosed left side being a mirror image;

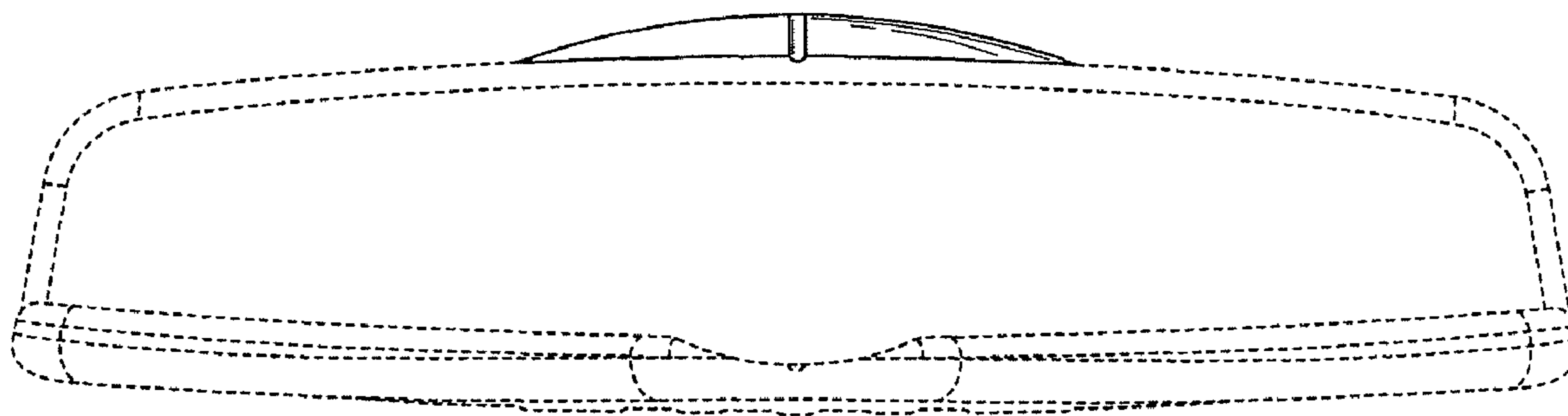
FIG. 4 is a front elevational view thereof;

FIG. 5 is a top front perspective view thereof; and,

FIG. 6 is a top rear perspective view.

The broken line showing is included for the purpose of illustrating and forms no part of the claimed design.

1 Claim, 6 Drawing Sheets



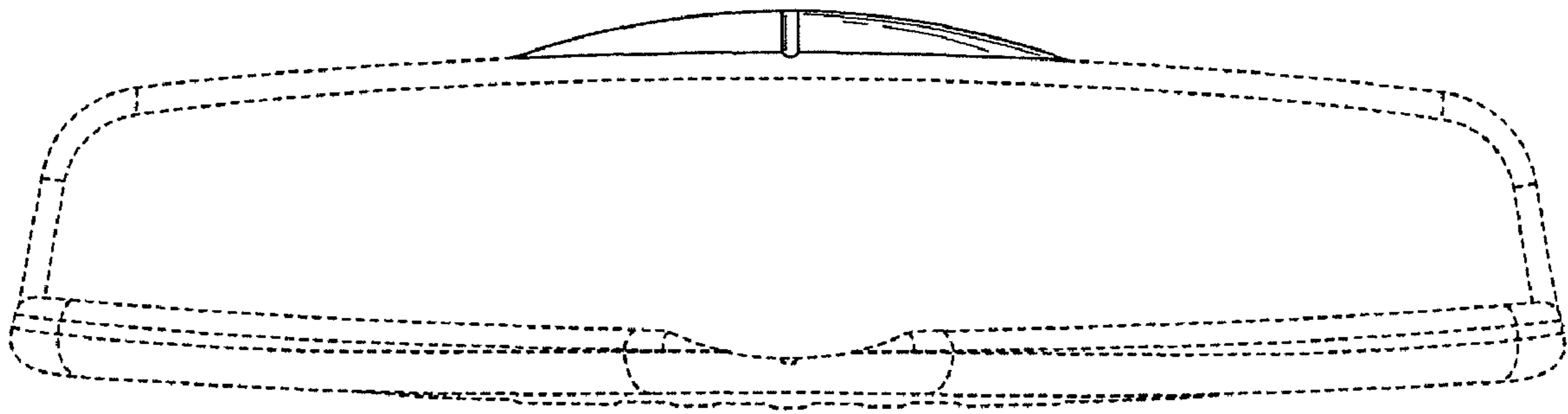


FIG. 1

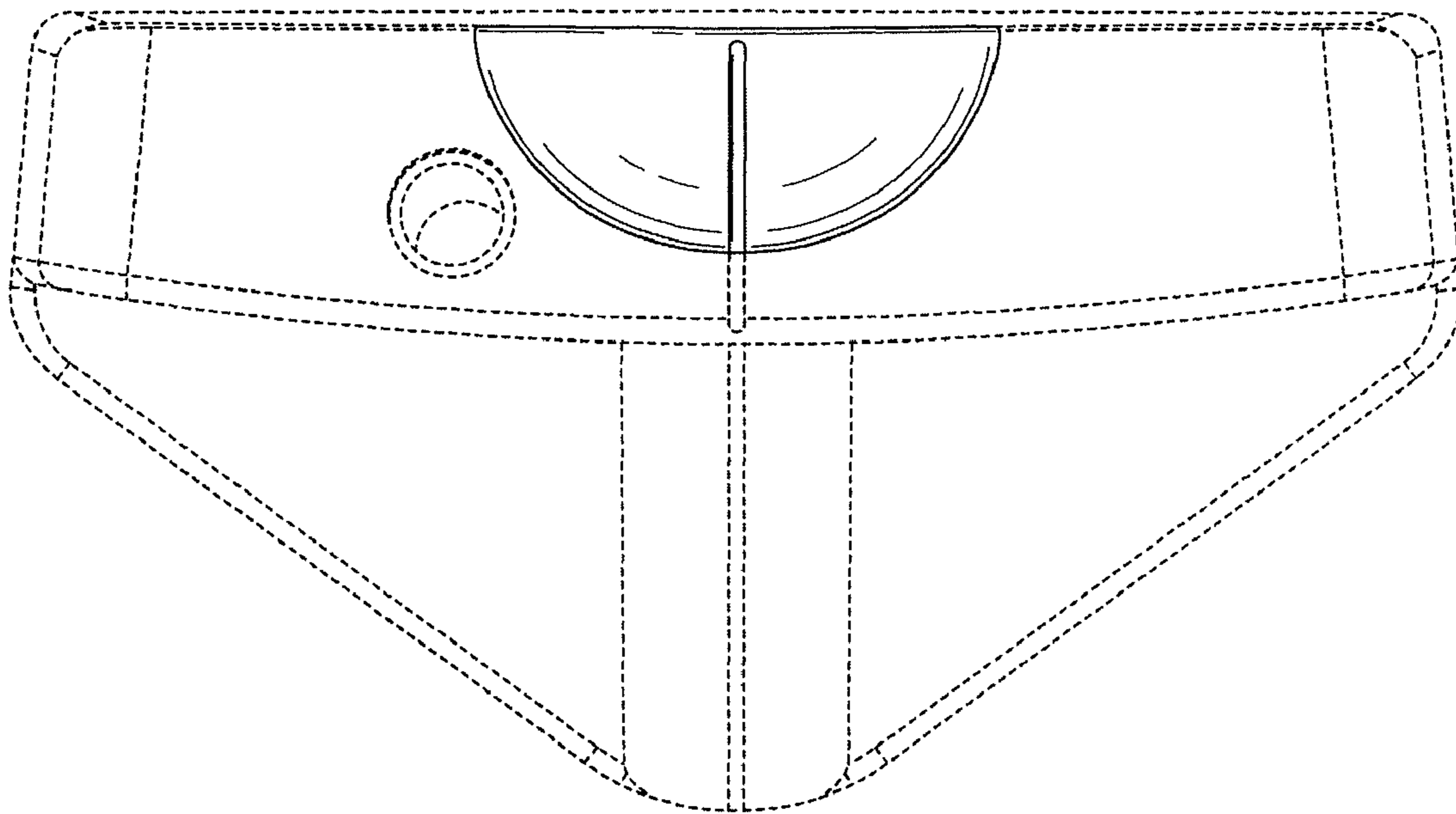


FIG. 2

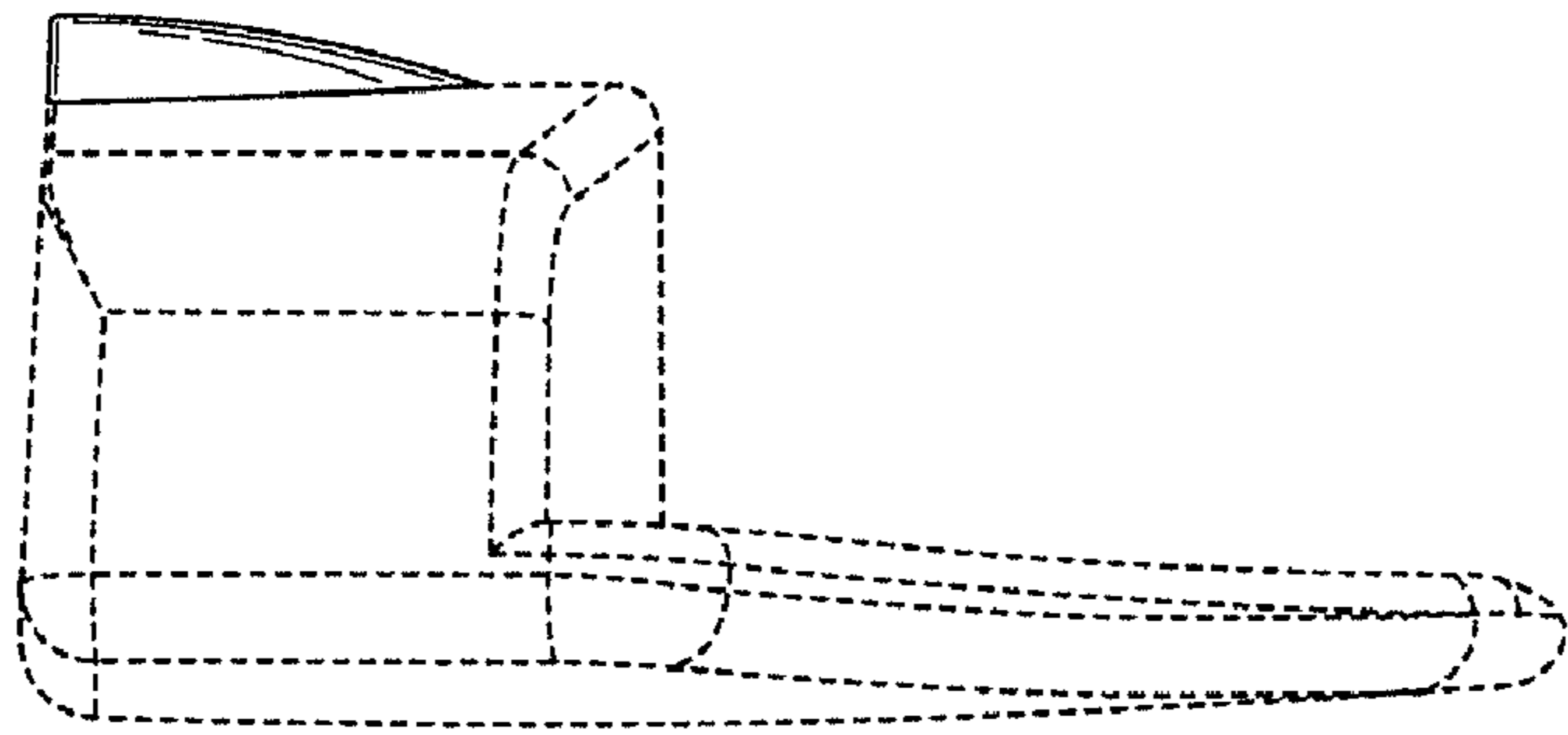


FIG. 3

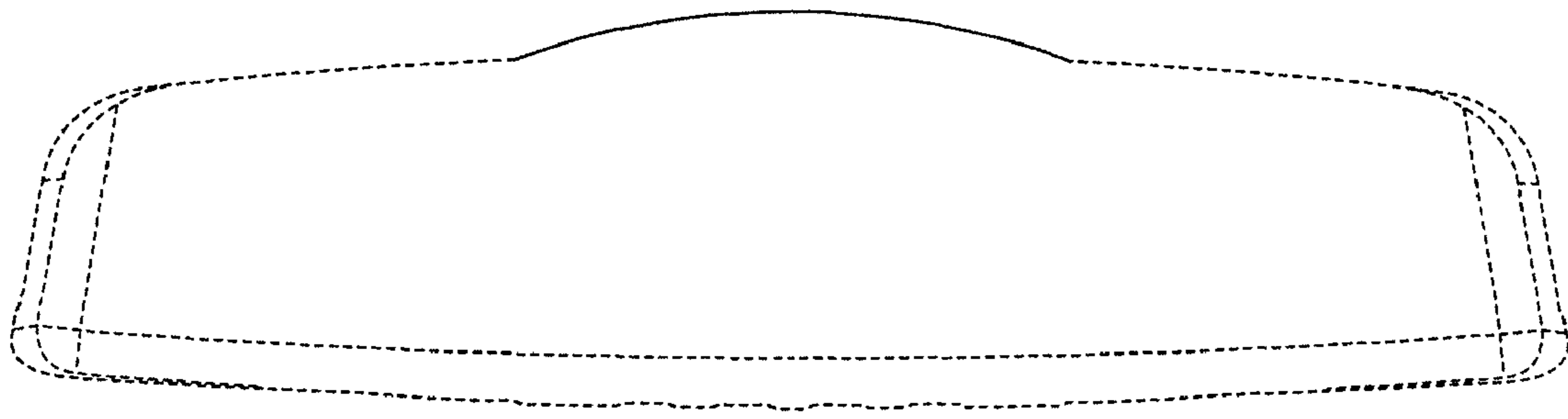


FIG. 4

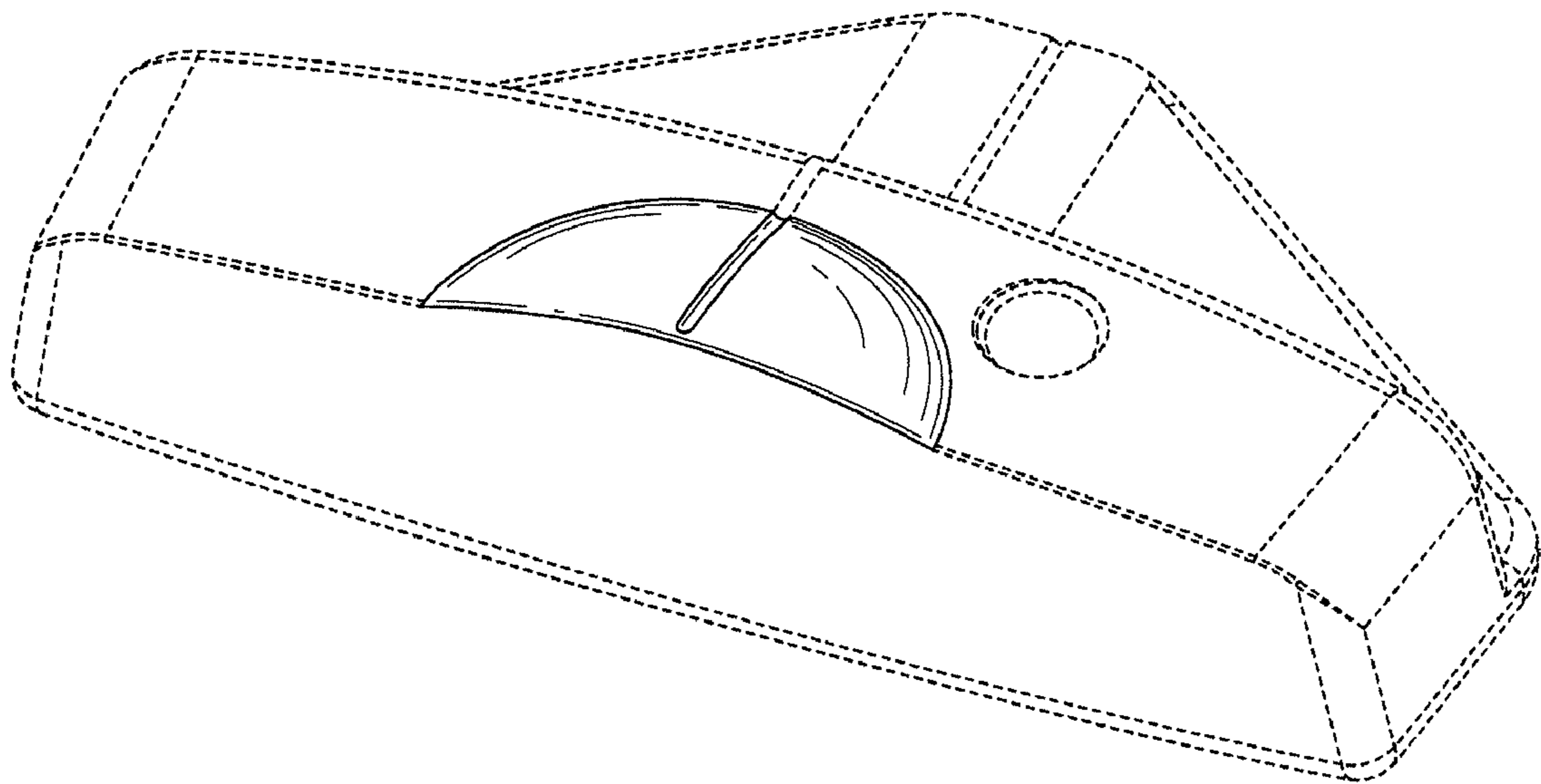


FIG. 5

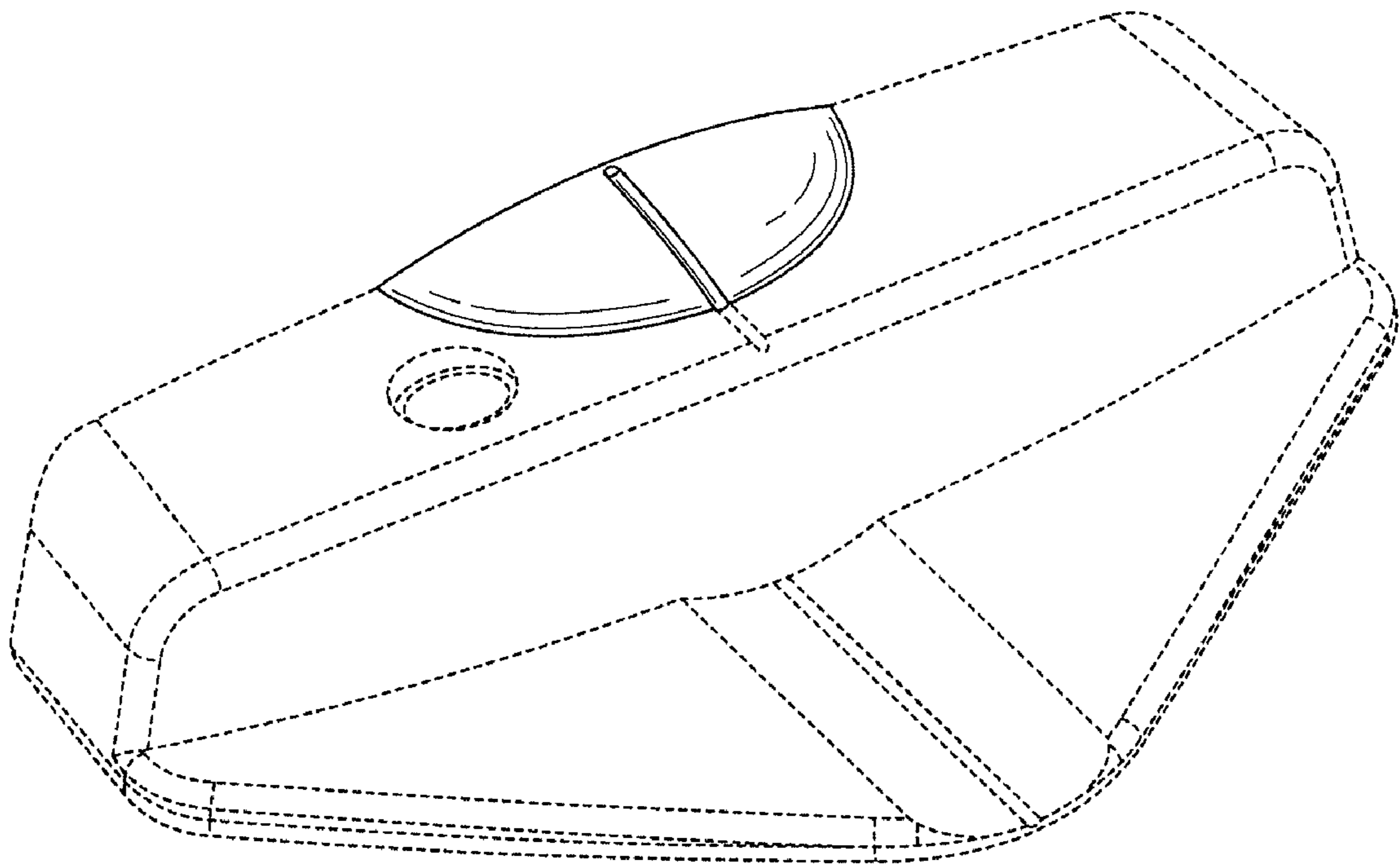


FIG. 6