



US00D622337S

(12) **United States Design Patent**  
**Kohno**

(10) **Patent No.:** **US D622,337 S**

(45) **Date of Patent:** **\*\* Aug. 24, 2010**

(54) **HEAD FOR GOLF CLUB**

D591,810 S \* 5/2009 Murphy et al. .... D21/752

(75) Inventor: **Masaru Kohno**, Kobe (JP)

(73) Assignee: **SRI Sports Ltd.**, Kobe (JP)

(\*\*) Term: **14 Years**

(21) Appl. No.: **29/339,771**

(22) Filed: **Jul. 7, 2009**

(30) **Foreign Application Priority Data**

Jan. 8, 2009 (JP) ..... D2009-000274

(51) **LOC (9) Cl.** ..... **21-02**

(52) **U.S. Cl.** ..... **D21/752**

(58) **Field of Classification Search** ..... D21/733,  
D21/752, 759; 473/324-331, 343-346  
See application file for complete search history.

(56) **References Cited**

**U.S. PATENT DOCUMENTS**

- D569,465 S \* 5/2008 Yi et al. .... D21/752
- D578,587 S \* 10/2008 Hoffman et al. .... D21/752
- D579,064 S \* 10/2008 Beach et al. .... D21/752
- D579,065 S \* 10/2008 Yi et al. .... D21/752
- D579,066 S \* 10/2008 Dipert et al. .... D21/752
- D579,067 S \* 10/2008 Hoffman et al. .... D21/752

**OTHER PUBLICATIONS**

Catalog of the "FT UT" golf club of Callaway Golf Company, Feb. 22, 2008, p. 507.

\* cited by examiner

*Primary Examiner*—Mitchell I Siegel

(74) *Attorney, Agent, or Firm*—Birch, Stewart, Kolasch & Birch, LLP

(57) **CLAIM**

The ornamental design for a head for golf club, as shown and described.

**DESCRIPTION**

FIG. 1 is a front and bottom perspective view of a head for golf club;

FIG. 2 is a rear and bottom perspective view thereof;

FIG. 3 is a bottom plan view thereof;

FIG. 4 is a top plan view thereof;

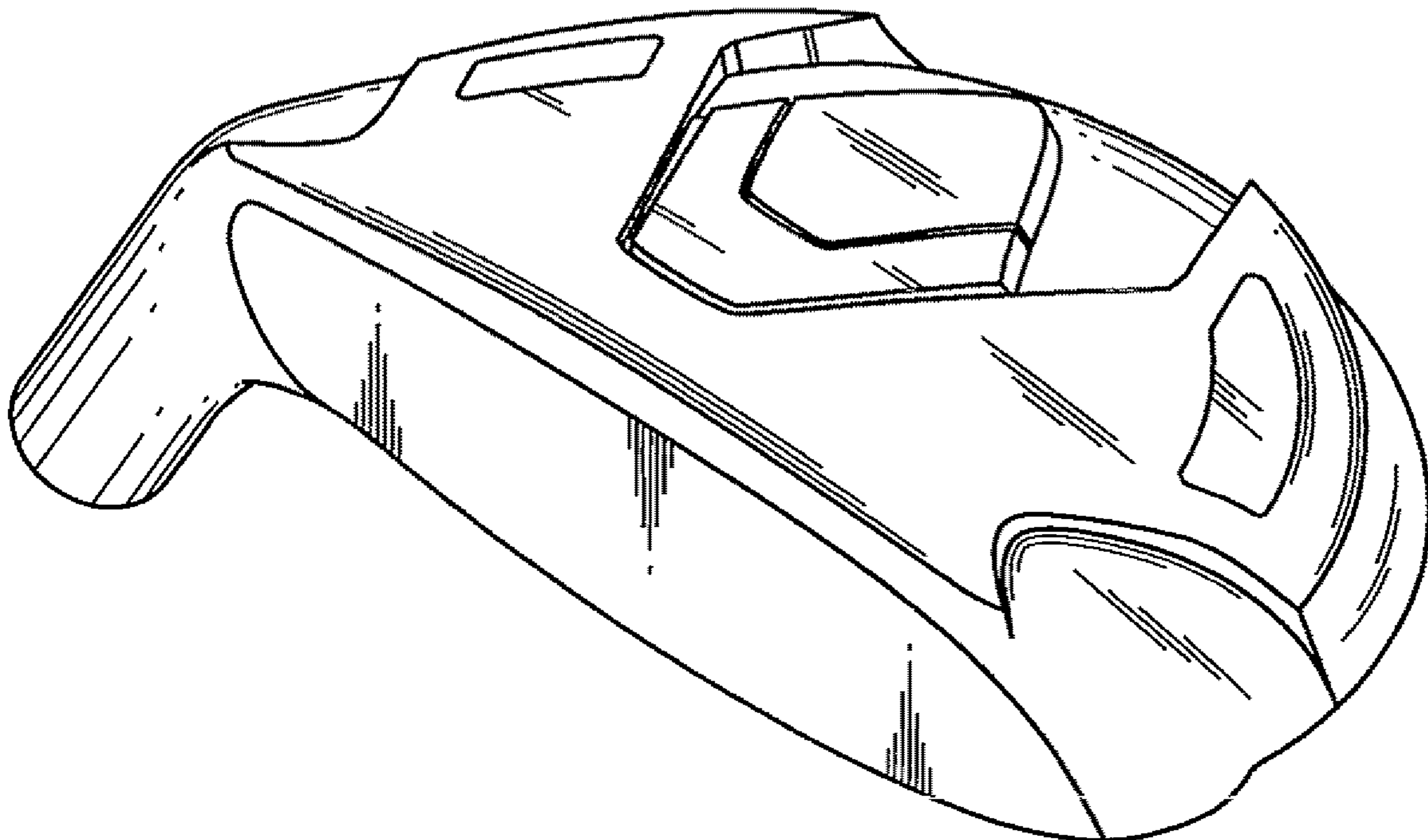
FIG. 5 is a rear elevational view thereof;

FIG. 6 is a front elevational view thereof;

FIG. 7 is a left side elevational view thereof; and,

FIG. 8 is a right side elevational view thereof.

**1 Claim, 4 Drawing Sheets**



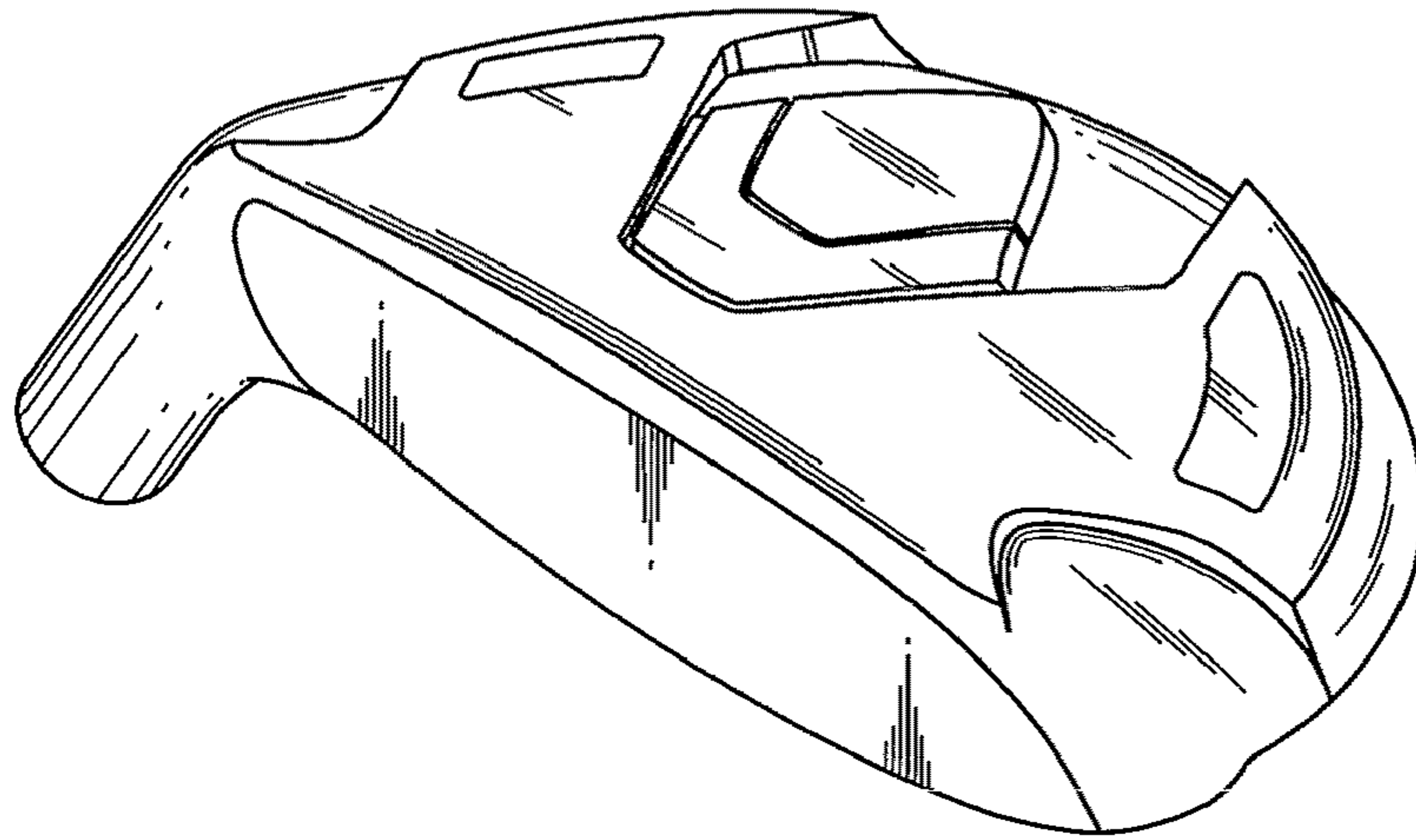


FIG.1

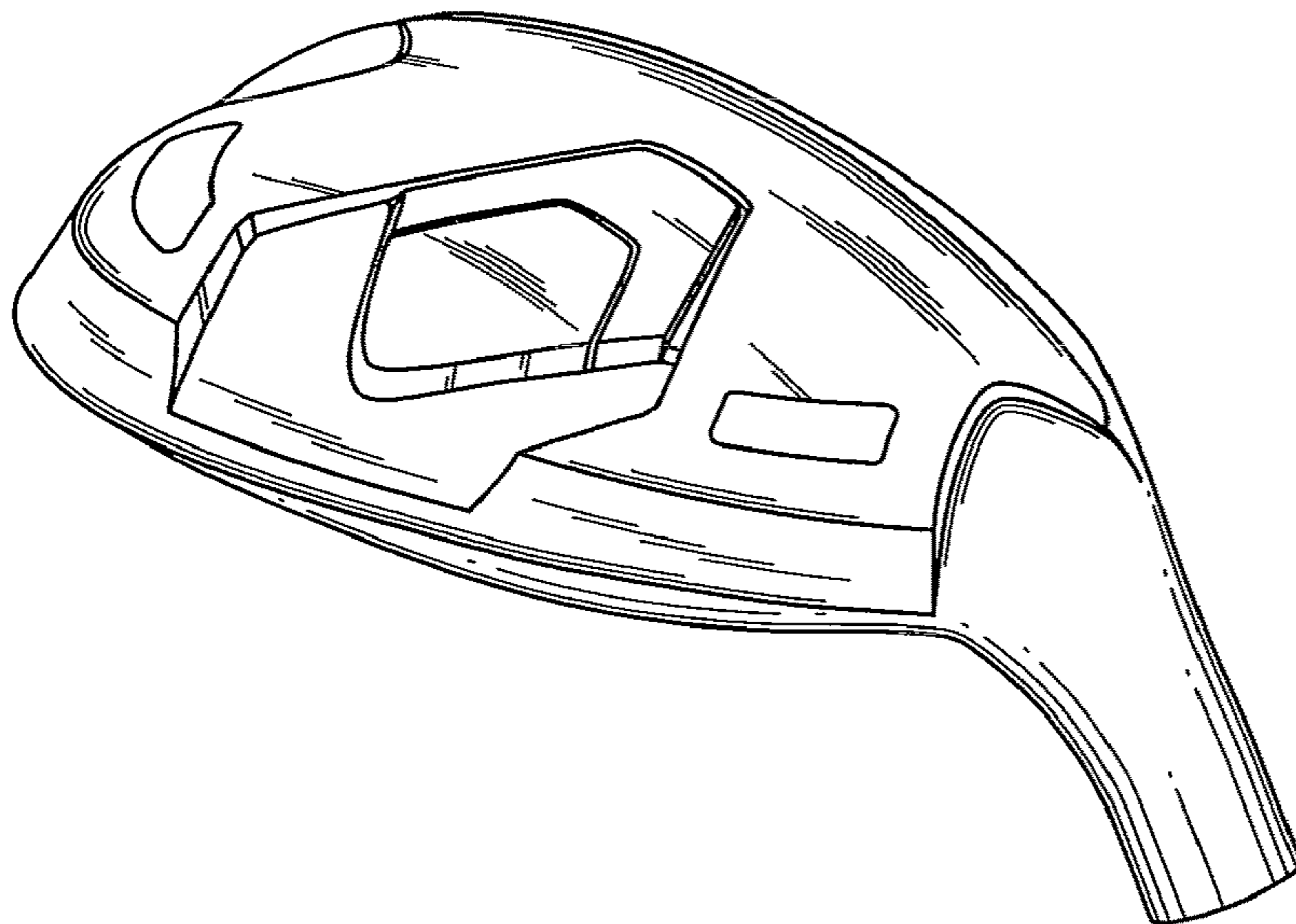


FIG.2

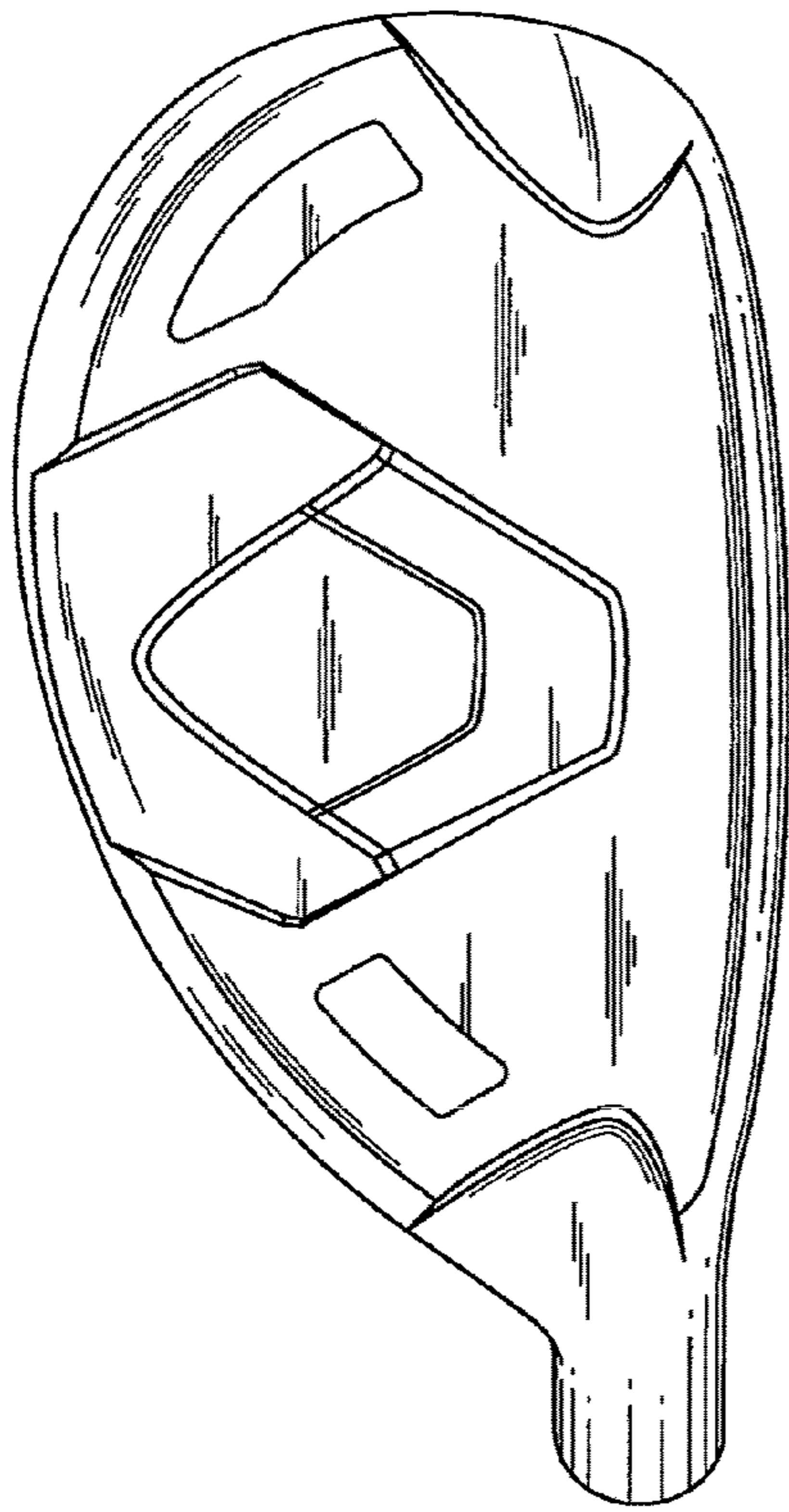


FIG.3

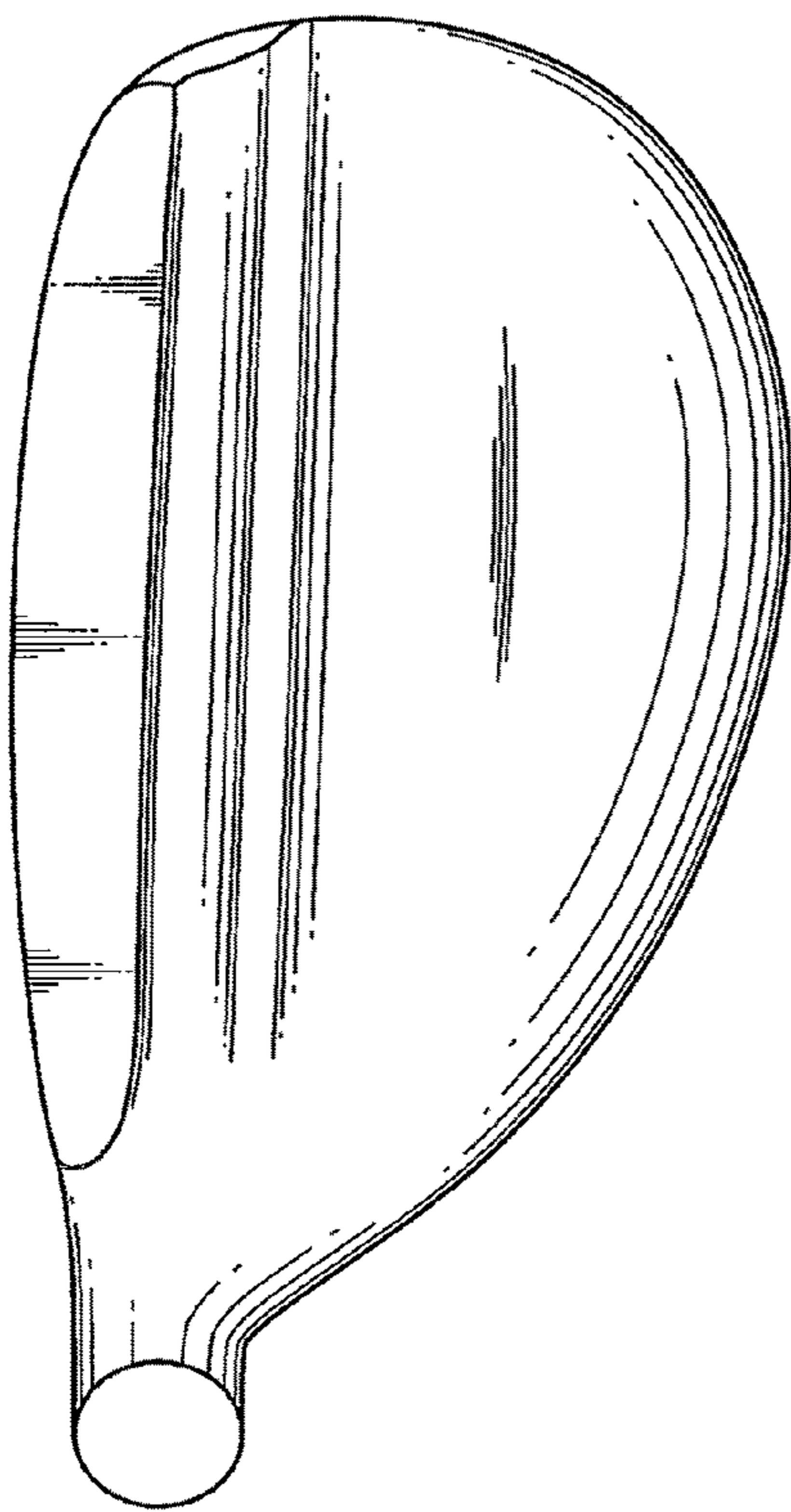


FIG.4

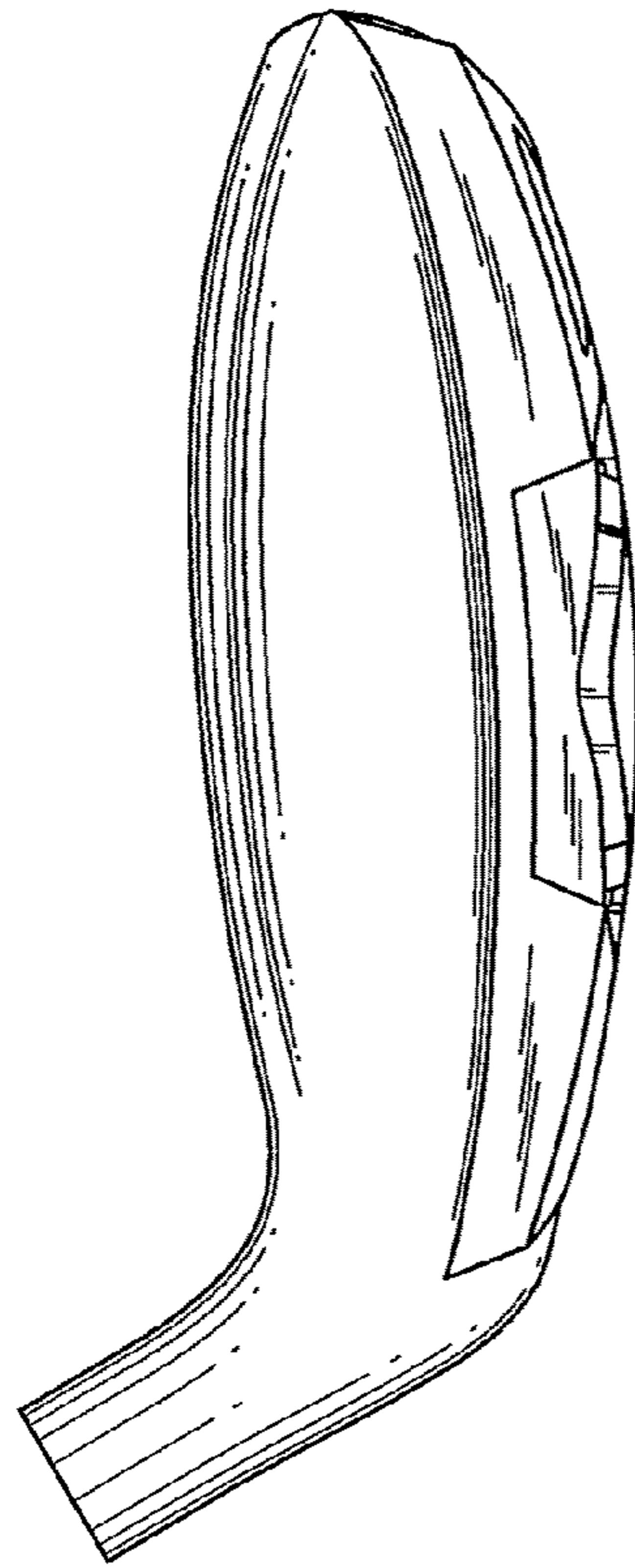


FIG. 5

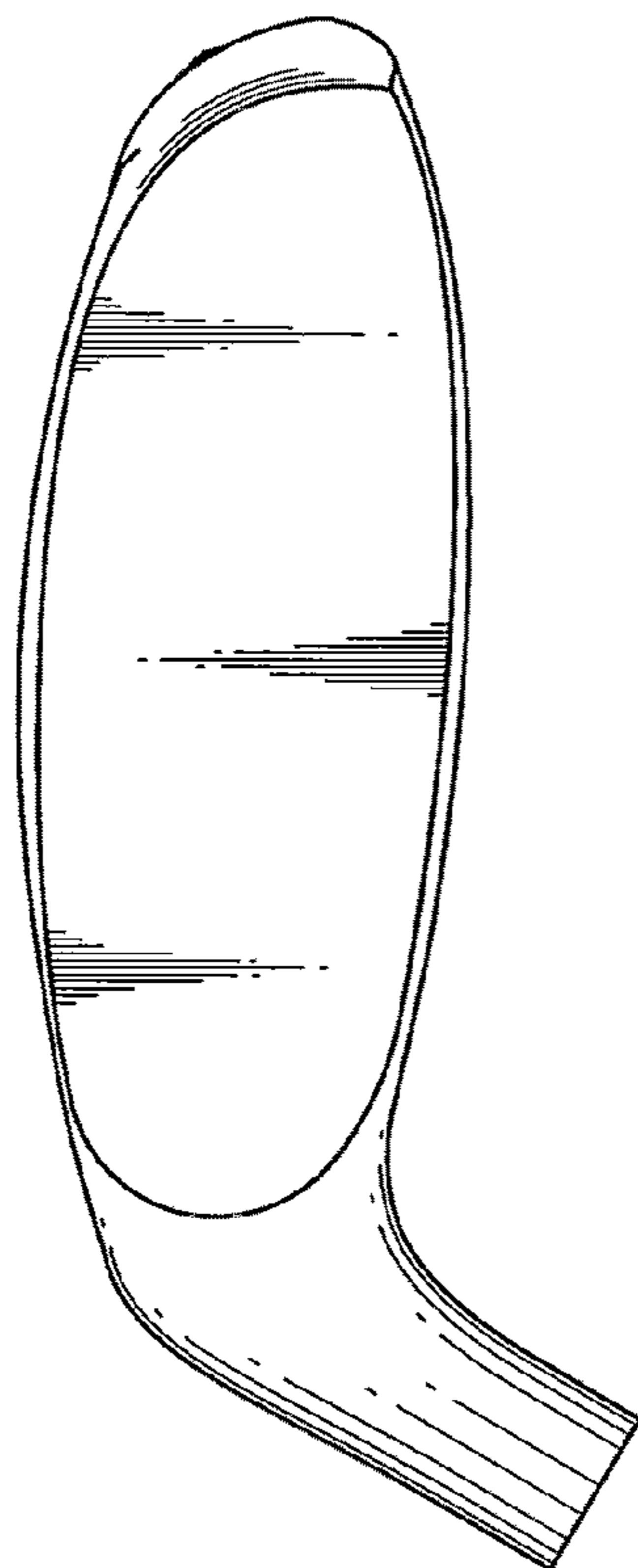


FIG. 6

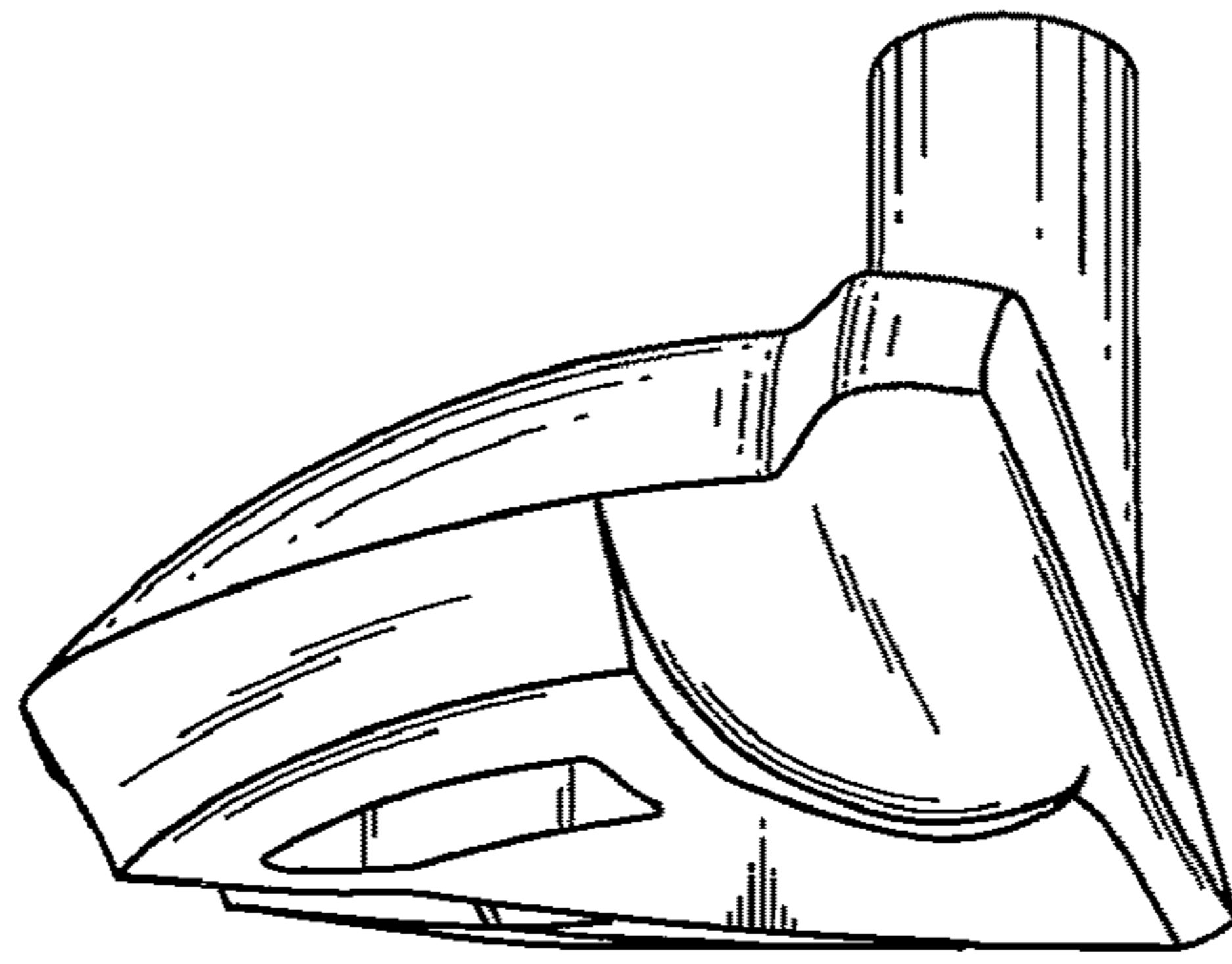


FIG. 7

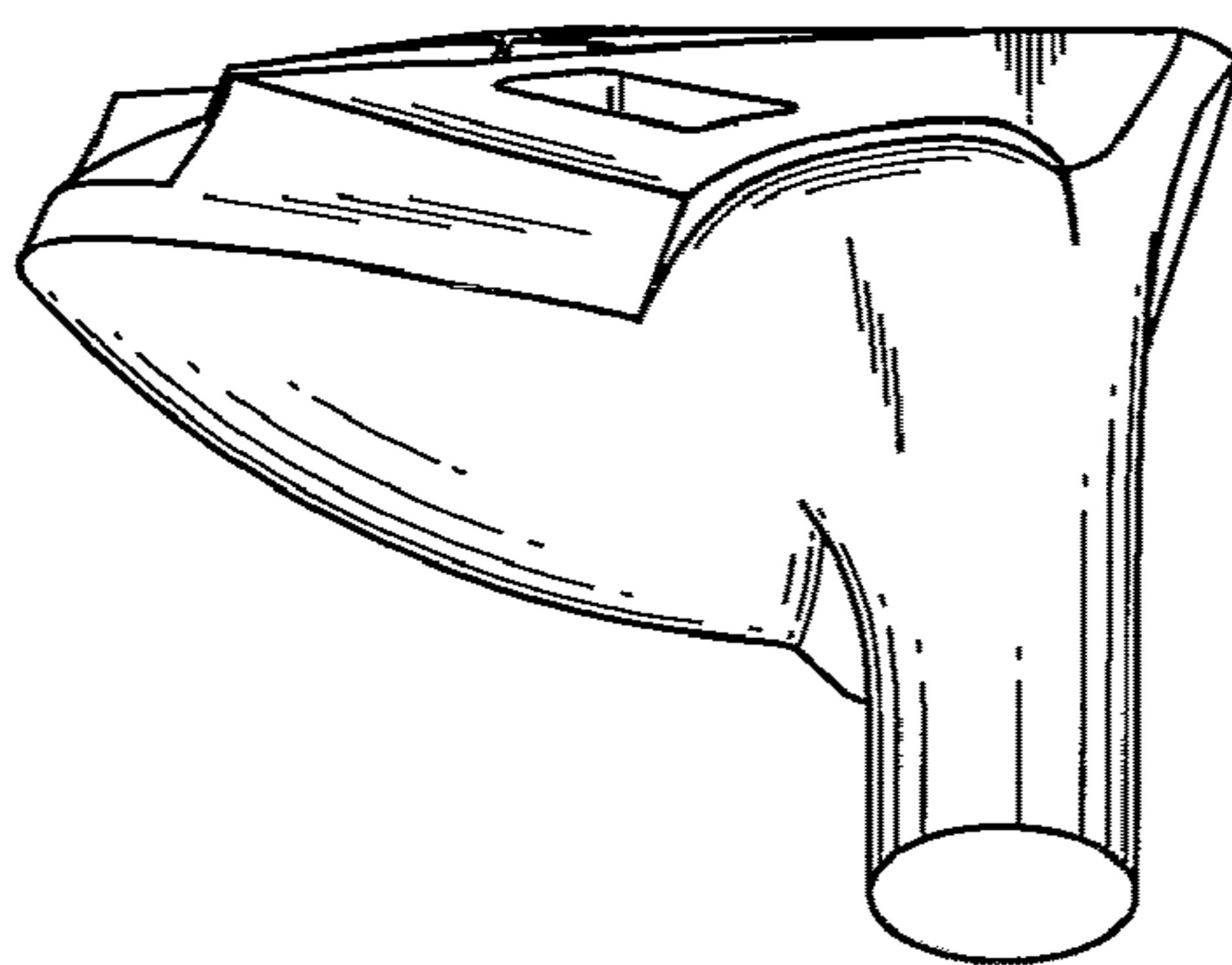


FIG. 8