



US00D622334S

(12) **United States Design Patent**  
**Splane**

(10) **Patent No.:** **US D622,334 S**

(45) **Date of Patent:** **\*\* \*Aug. 24, 2010**

(54) **EXERCISE DEVICE**

(76) Inventor: **Robson Splane**, 30634 Persimmon La.,  
Valley Center, CA (US) 92082

(\*) Notice: This patent is subject to a terminal disclaimer.

(\*\*) Term: **14 Years**

(21) Appl. No.: **29/294,880**

(22) Filed: **Jan. 31, 2008**

(51) **LOC (9) Cl.** ..... **21-02**

(52) **U.S. Cl.** ..... **D21/689**; D21/662

(58) **Field of Classification Search** ..... D21/662,  
D21/686, 688, 694, 689; 482/136, 132, 146,  
482/147, 91; 601/33, 40, 127, 131  
See application file for complete search history.

(56) **References Cited**

**U.S. PATENT DOCUMENTS**

4,799,475	A	1/1989	Iams et al.	
4,846,465	A *	7/1989	Iams et al.	482/132
4,858,918	A	8/1989	Iams et al.	
4,989,860	A	2/1991	Iams et al.	
5,002,272	A *	3/1991	Hofmeister	482/127
5,306,223	A	4/1994	Martinez	
5,433,690	A *	7/1995	Gilman	482/146
5,607,374	A	3/1997	Hesse	
5,632,711	A *	5/1997	Hwang	482/147
6,440,045	B1	8/2002	Gaston	
6,485,398	B1 *	11/2002	Kreft	482/94
6,626,807	B1	9/2003	Richmond	
6,726,608	B1 *	4/2004	Hsu	482/130
7,118,519	B2 *	10/2006	Slowinski	482/146
7,156,786	B1	1/2007	Palmer	
7,235,040	B2 *	6/2007	Chung-Ting	482/93
D567,312	S *	4/2008	Tsai	D21/688
2006/0183604	A1 *	8/2006	Chae	482/51

\* cited by examiner

*Primary Examiner*—Philip S Hyder

*Assistant Examiner*—Susan E Krakower

(74) *Attorney, Agent, or Firm*—The Nath Law Group

(57) **CLAIM**

I claim the ornamental design for an exercise device, as shown and described.

**DESCRIPTION**

FIG. 1 is a perspective view of an exercise device, showing my new design;

FIG. 2 is a top view thereof;

FIG. 3 is a bottom view thereof;

FIG. 4 is a right side view thereof;

FIG. 5 is a left side view thereof;

FIG. 6 is a back view thereof;

FIG. 7 is a front view thereof;

FIG. 8 is a left side view of a cross-section take along line 8—8 shown in FIG. 2;

FIG. 9 is a perspective view as shown in FIG. 1, but with portions of the environmental structures removed;

FIG. 10 is a top view as shown in FIG. 2, but with portions of the environmental structures removed;

FIG. 11 is a bottom view as shown in FIG. 3, but with portions of the environmental structures removed;

FIG. 12 is a right side view as shown in FIG. 4, but with portions of the environmental structures removed;

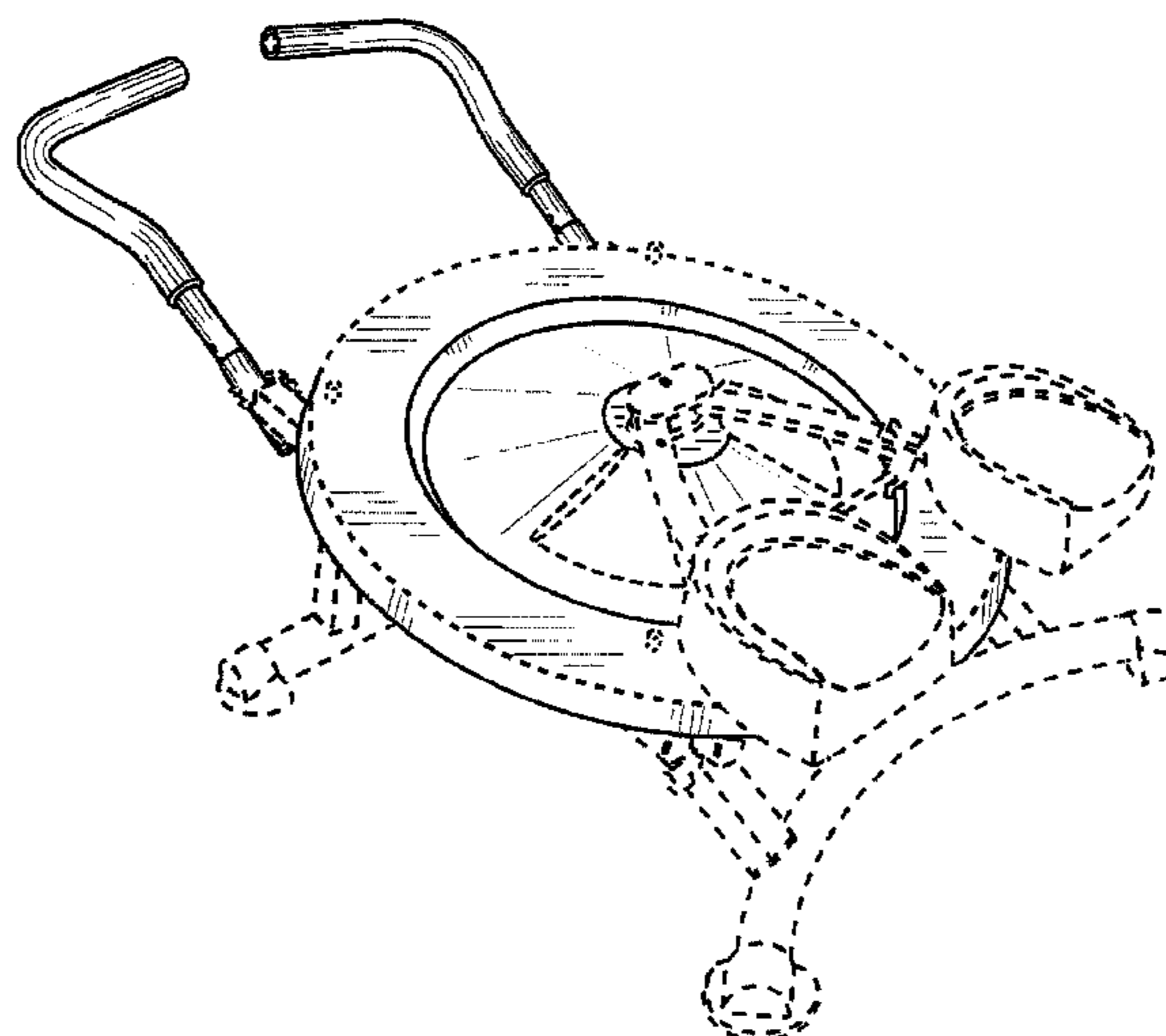
FIG. 13 is a left side view as shown in FIG. 5, but with portions of the environmental structures removed;

FIG. 14 is a back view as shown in FIG. 6, but with portions of the environmental structures removed; and,

FIG. 15 is a front view as shown in FIG. 7, but with portions of the environmental structures removed.

The broken line portions of the disclosure are for environmental purposes only and form no part of the claimed design.

**1 Claim, 15 Drawing Sheets**



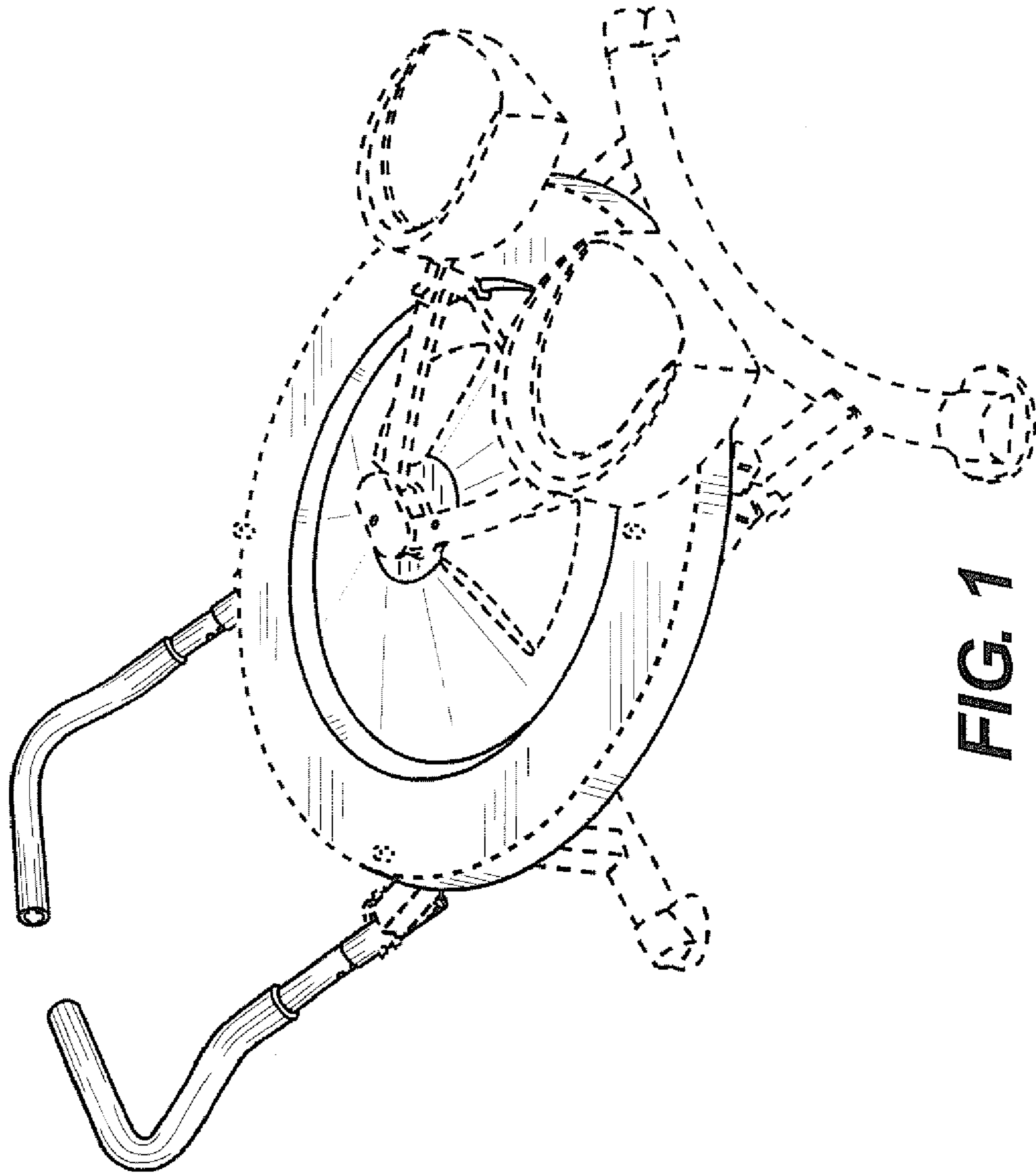


FIG. 1

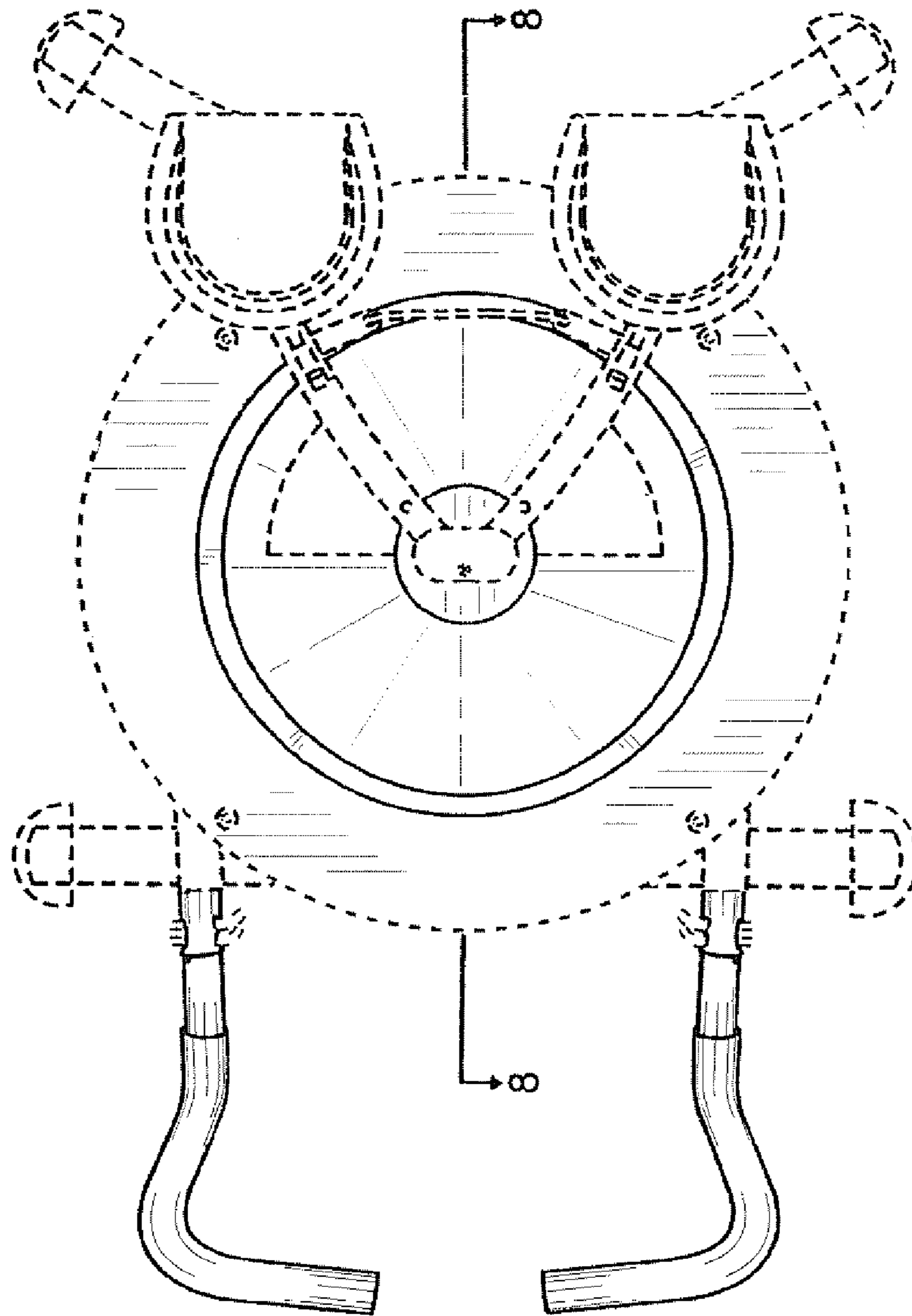


FIG. 2

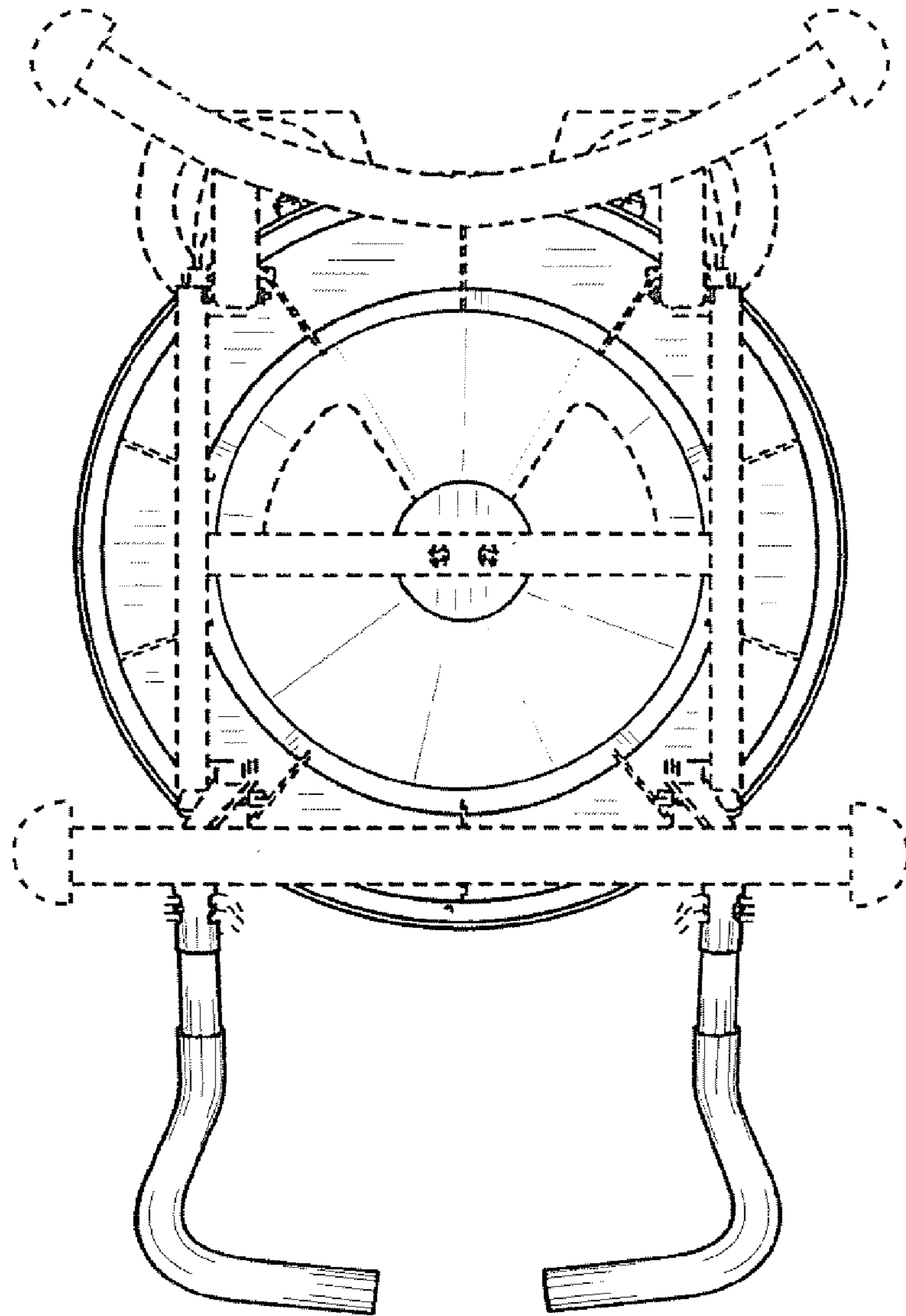


FIG. 3

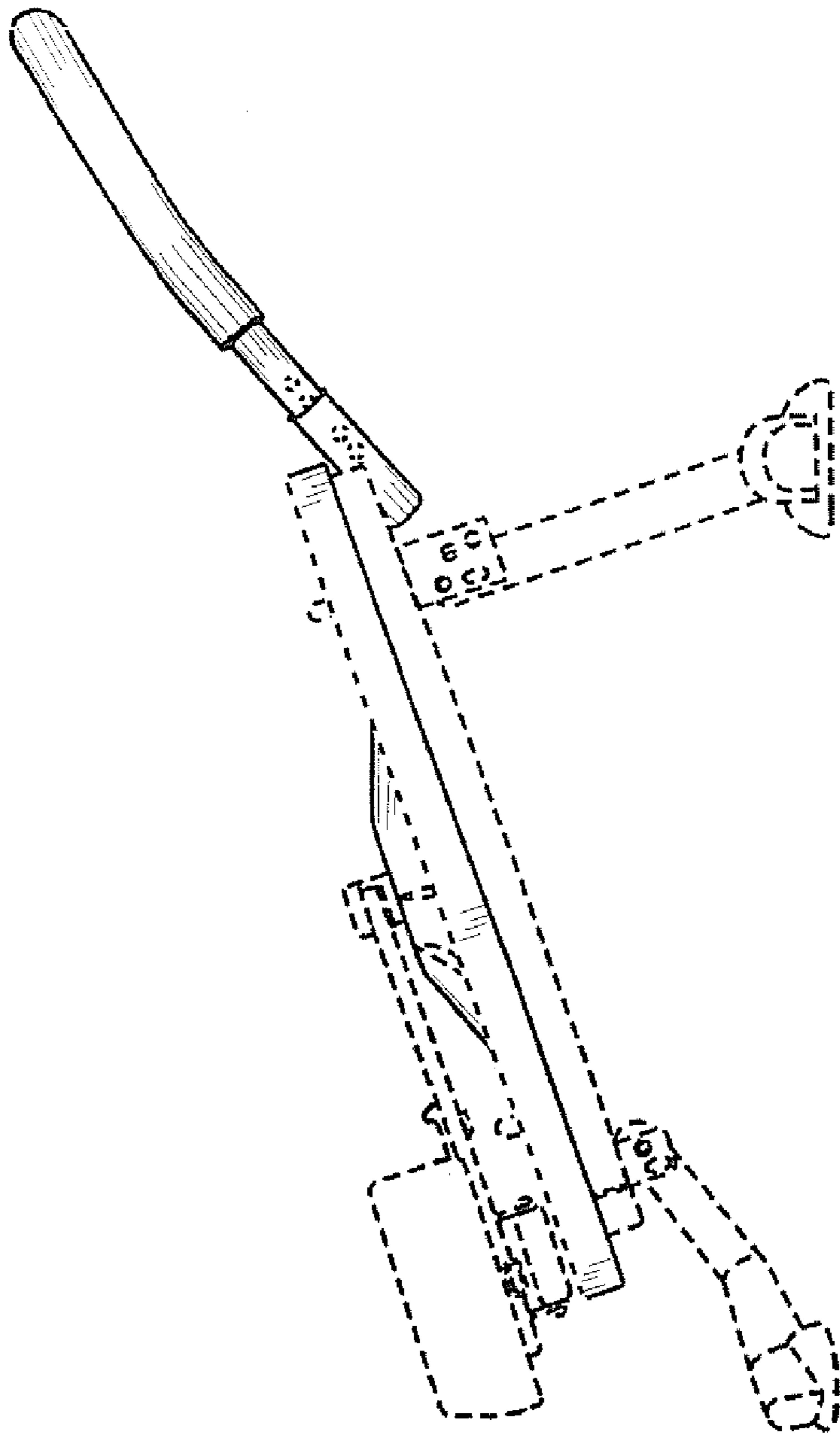


FIG. 4

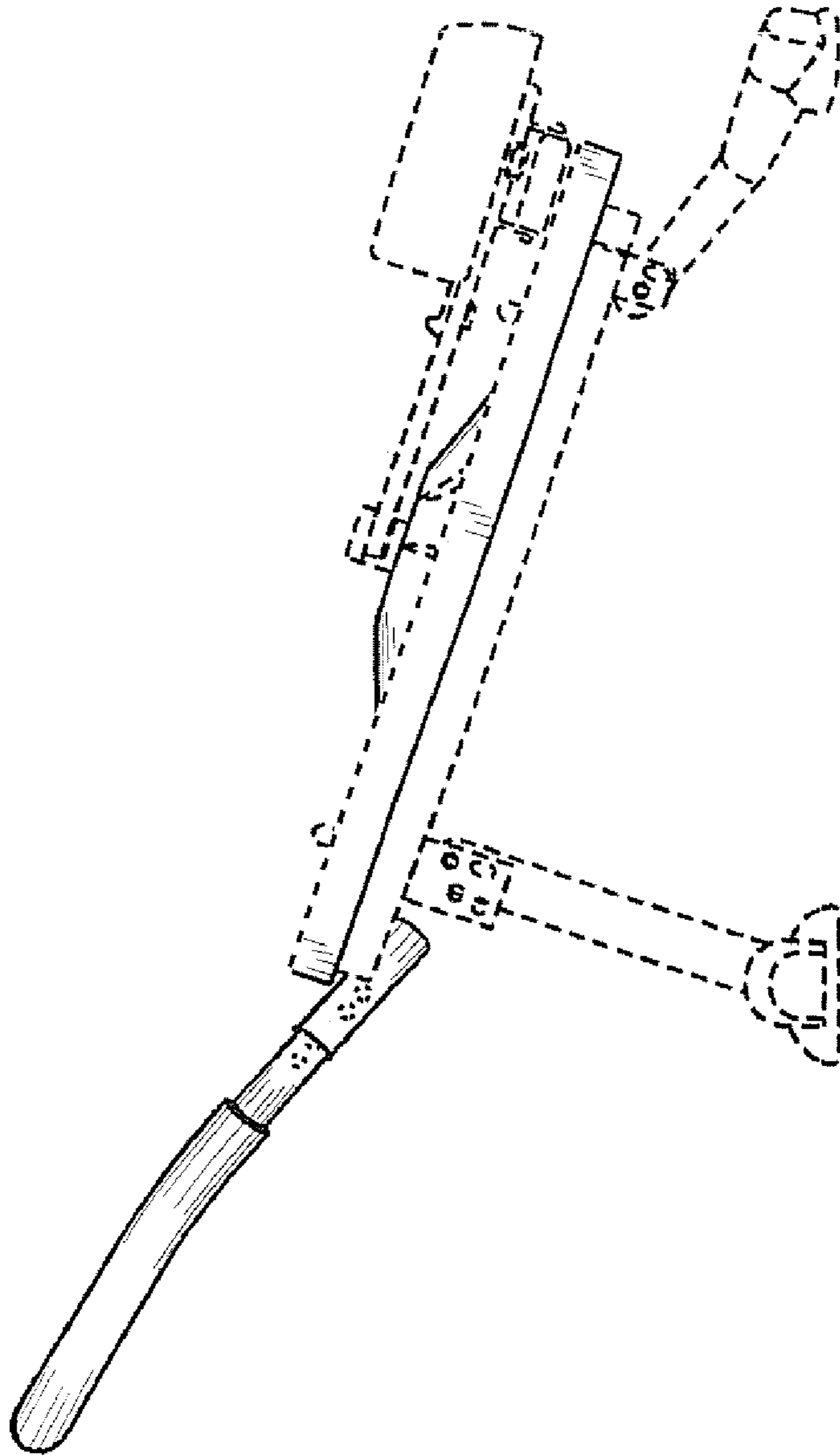


FIG. 5

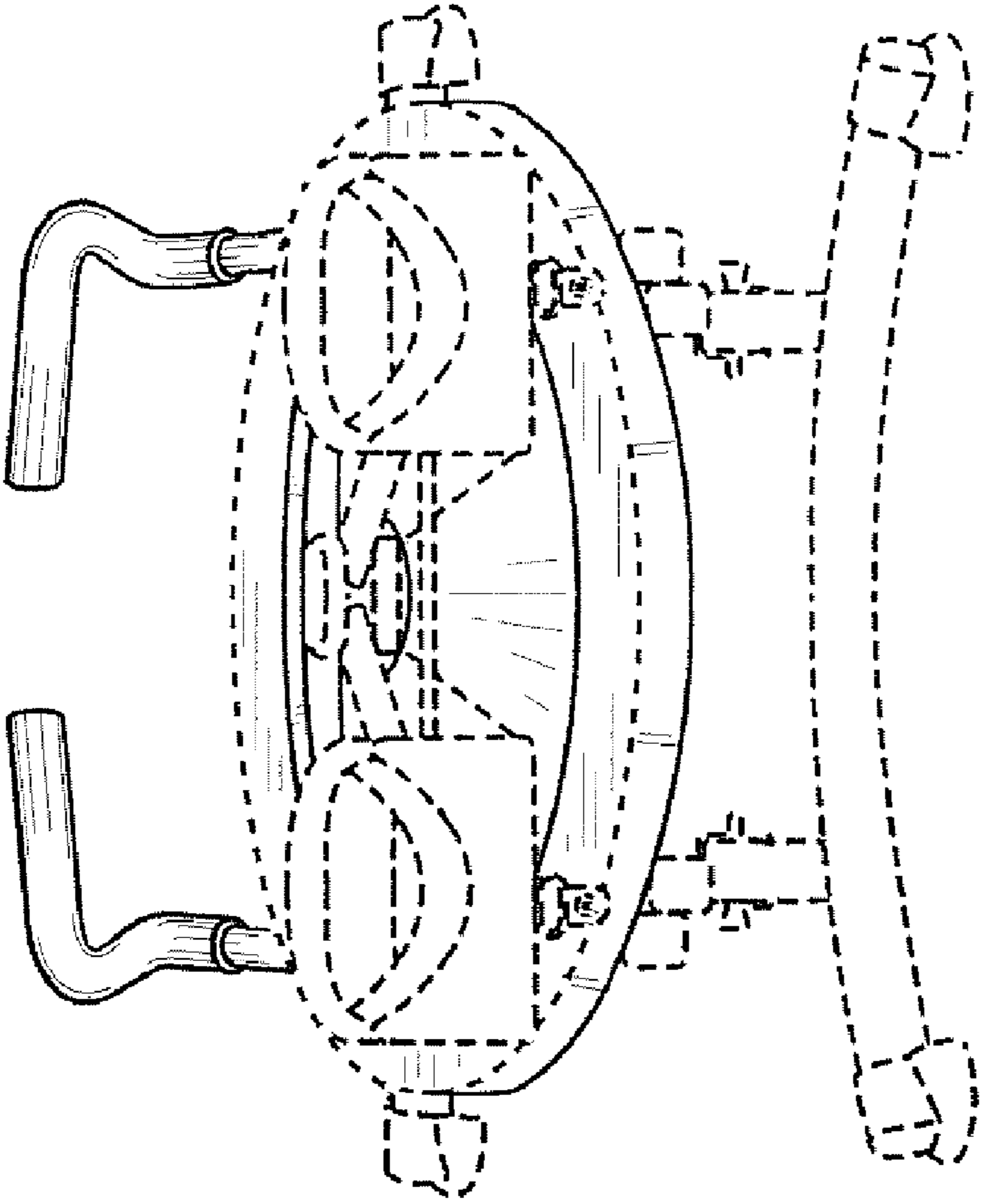


FIG. 6

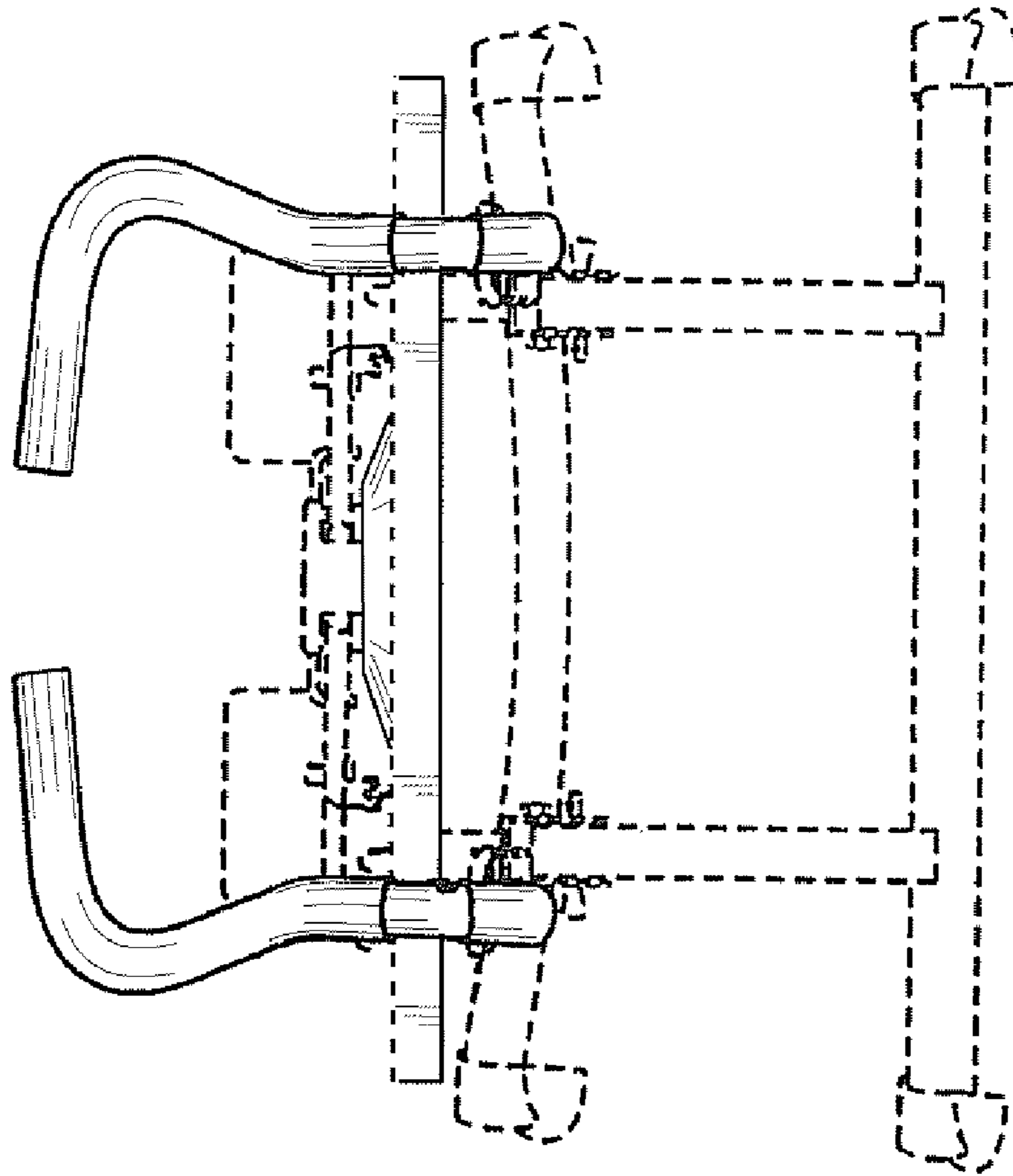


FIG. 7



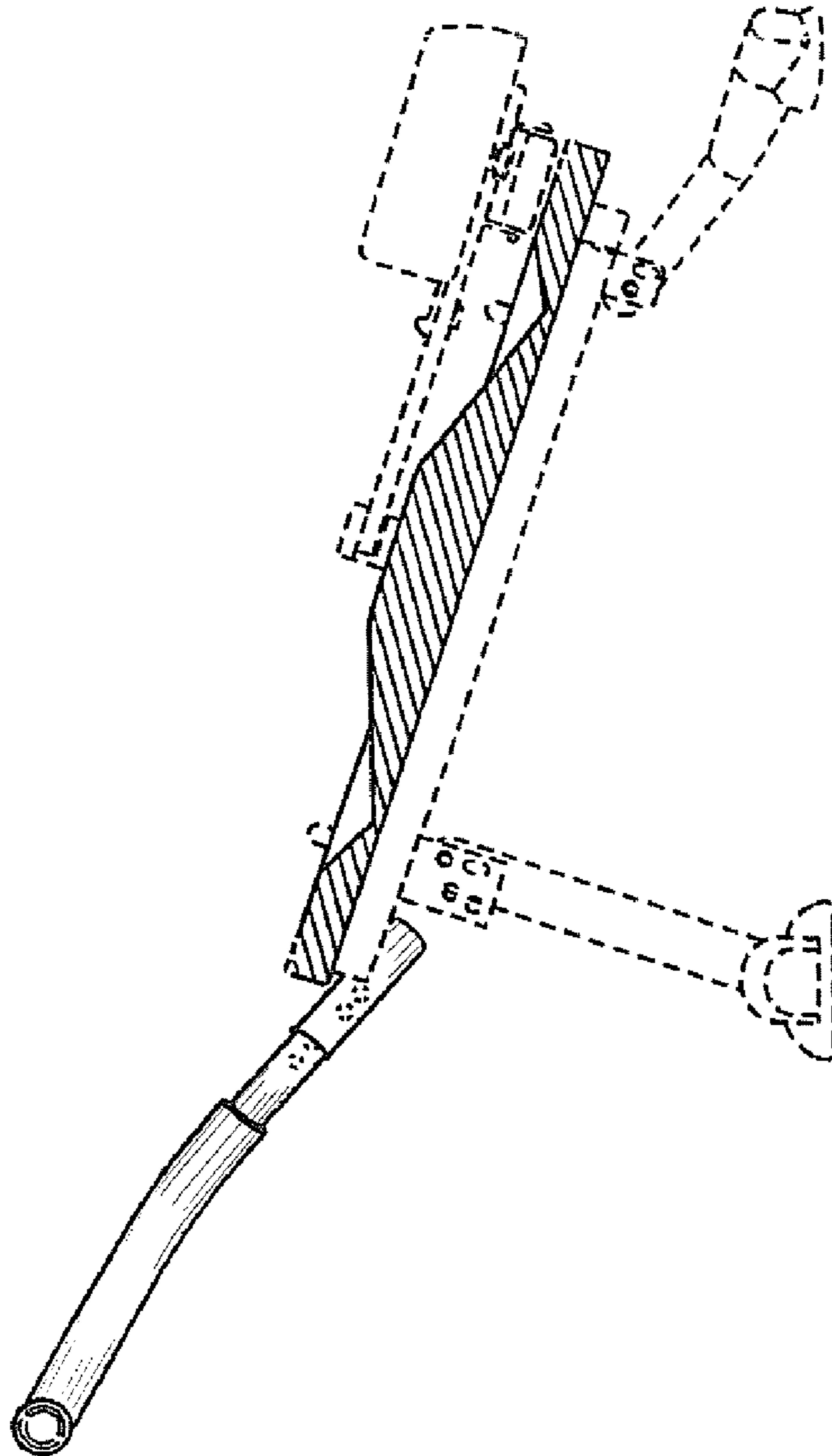


FIG. 8

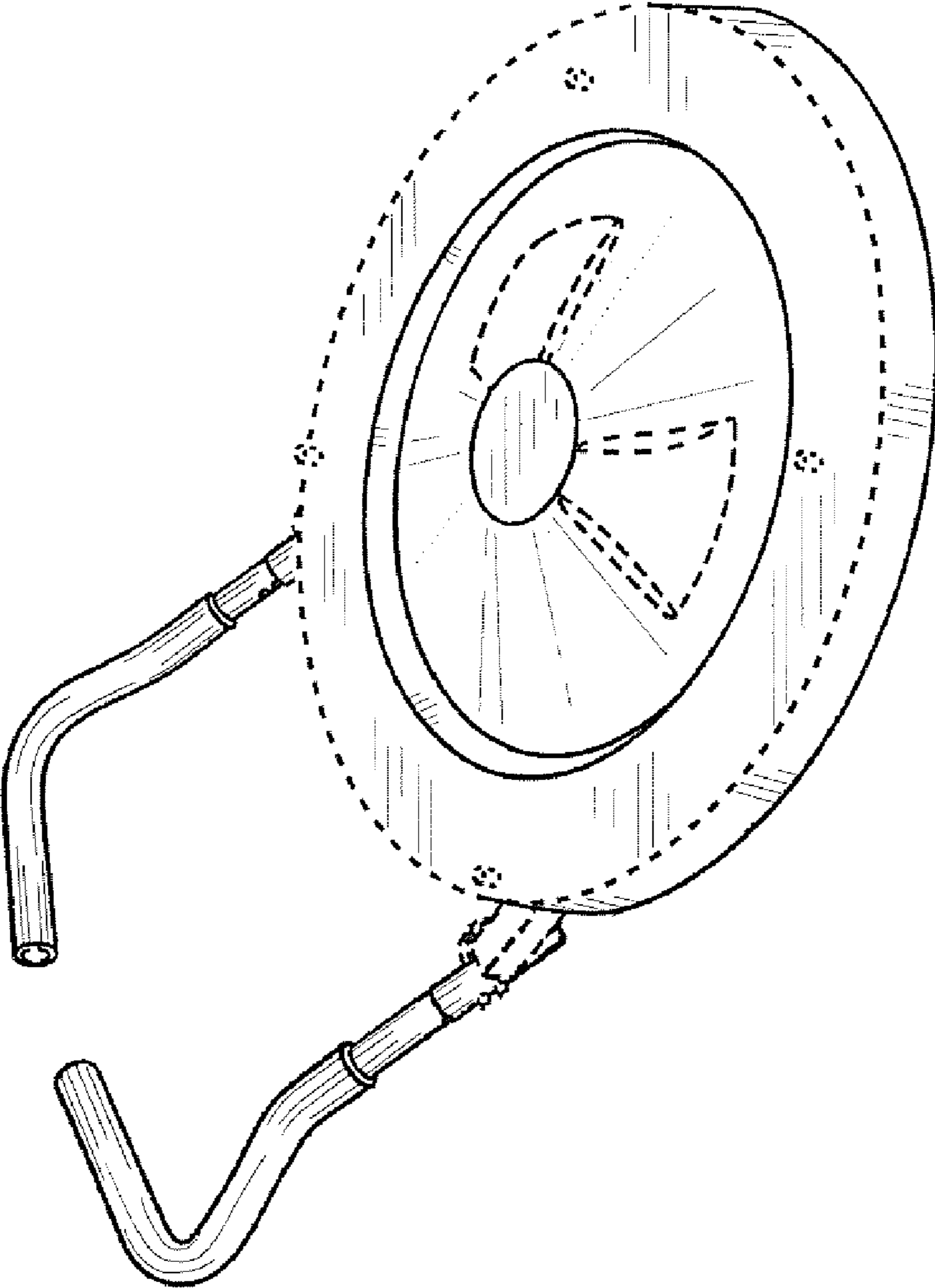


FIG. 9

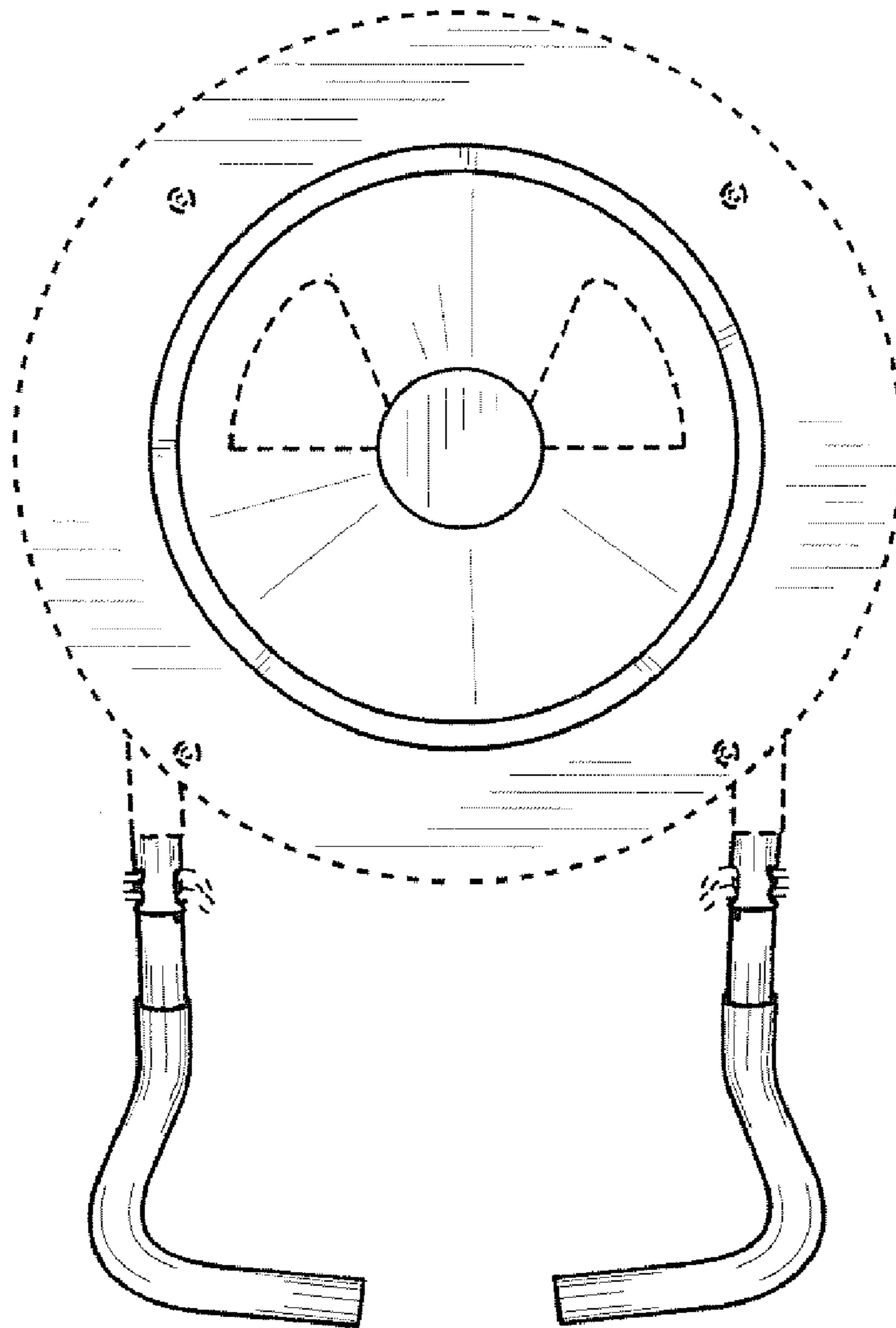
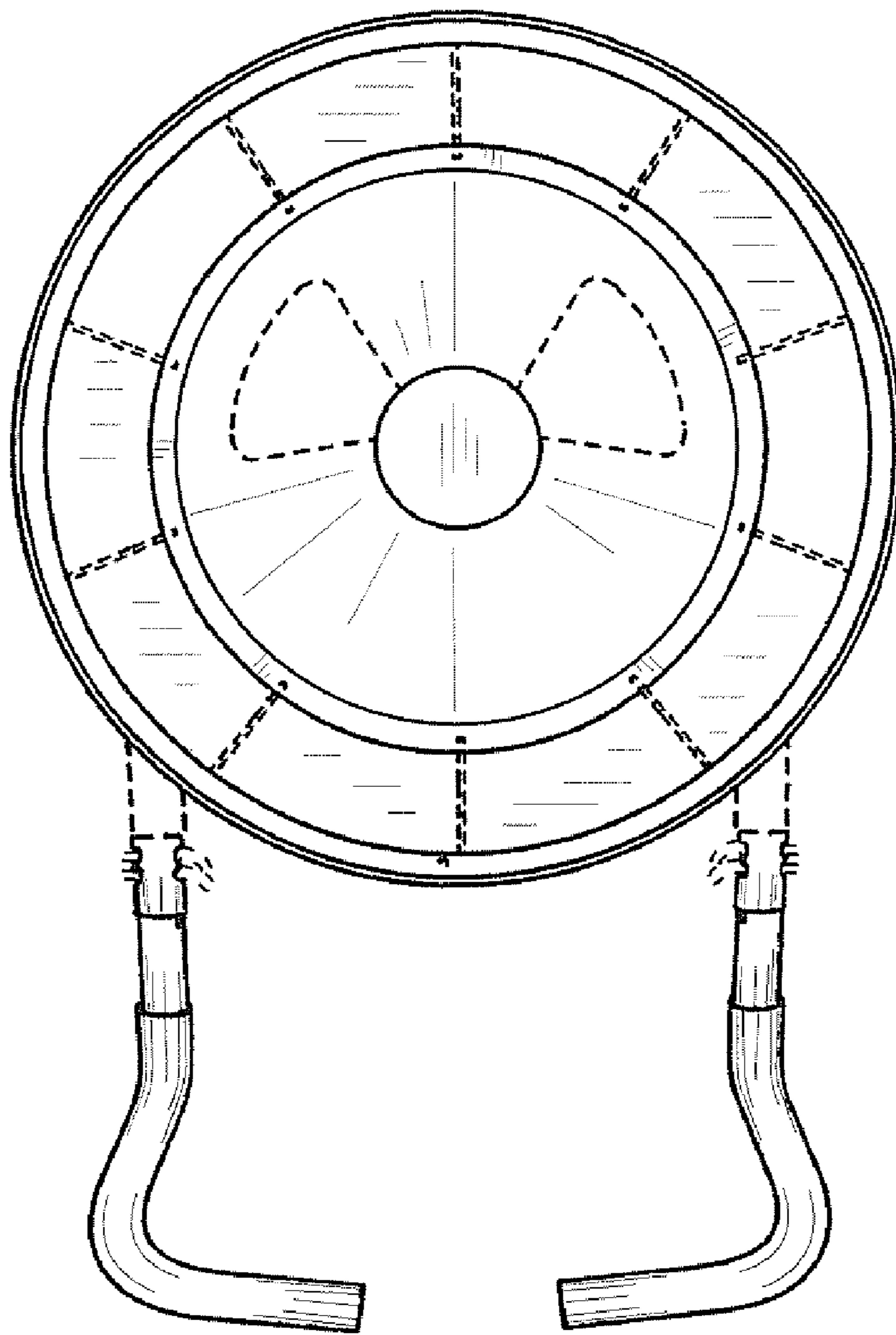
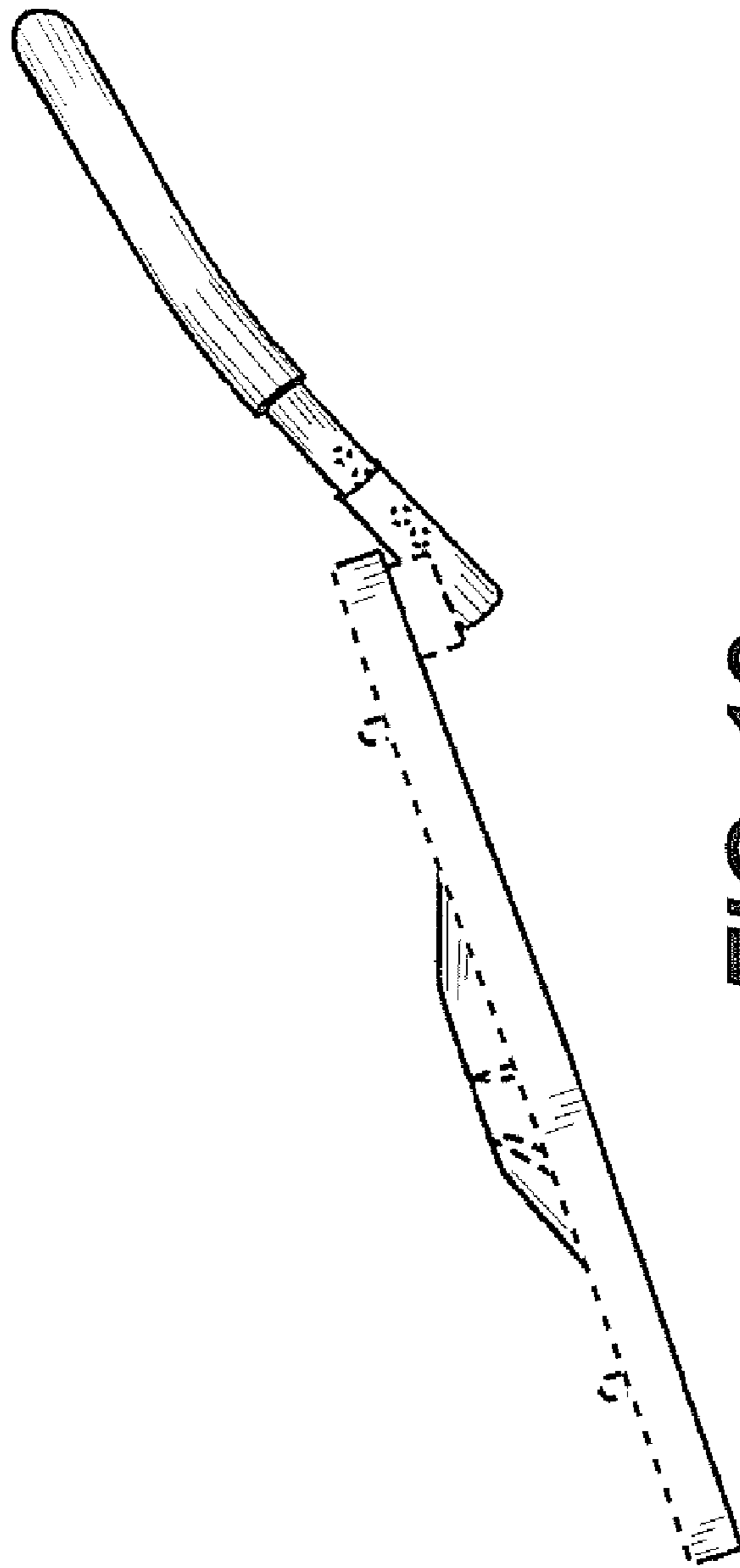


FIG. 10



**FIG. 11**



**FIG. 12**

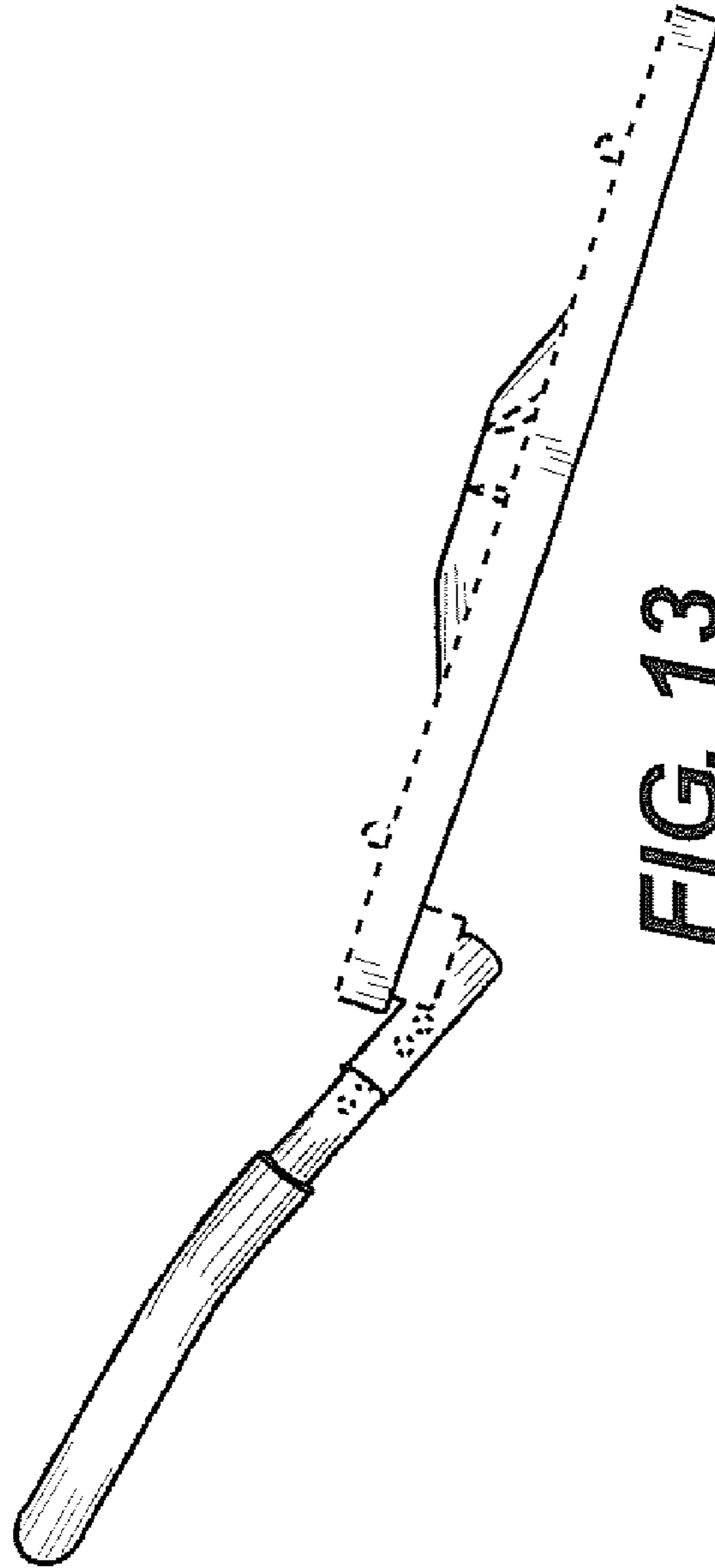


FIG. 13

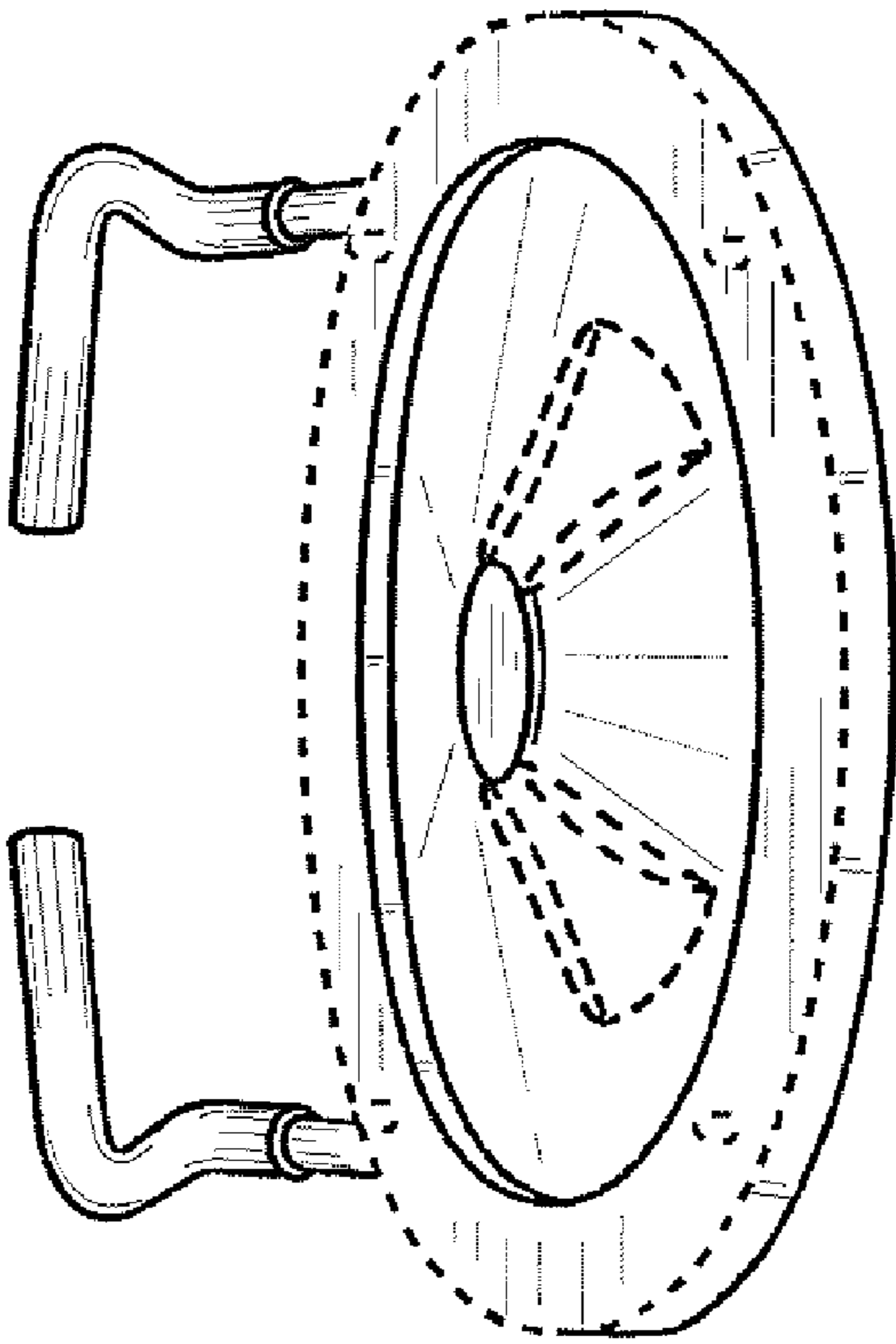


FIG. 14

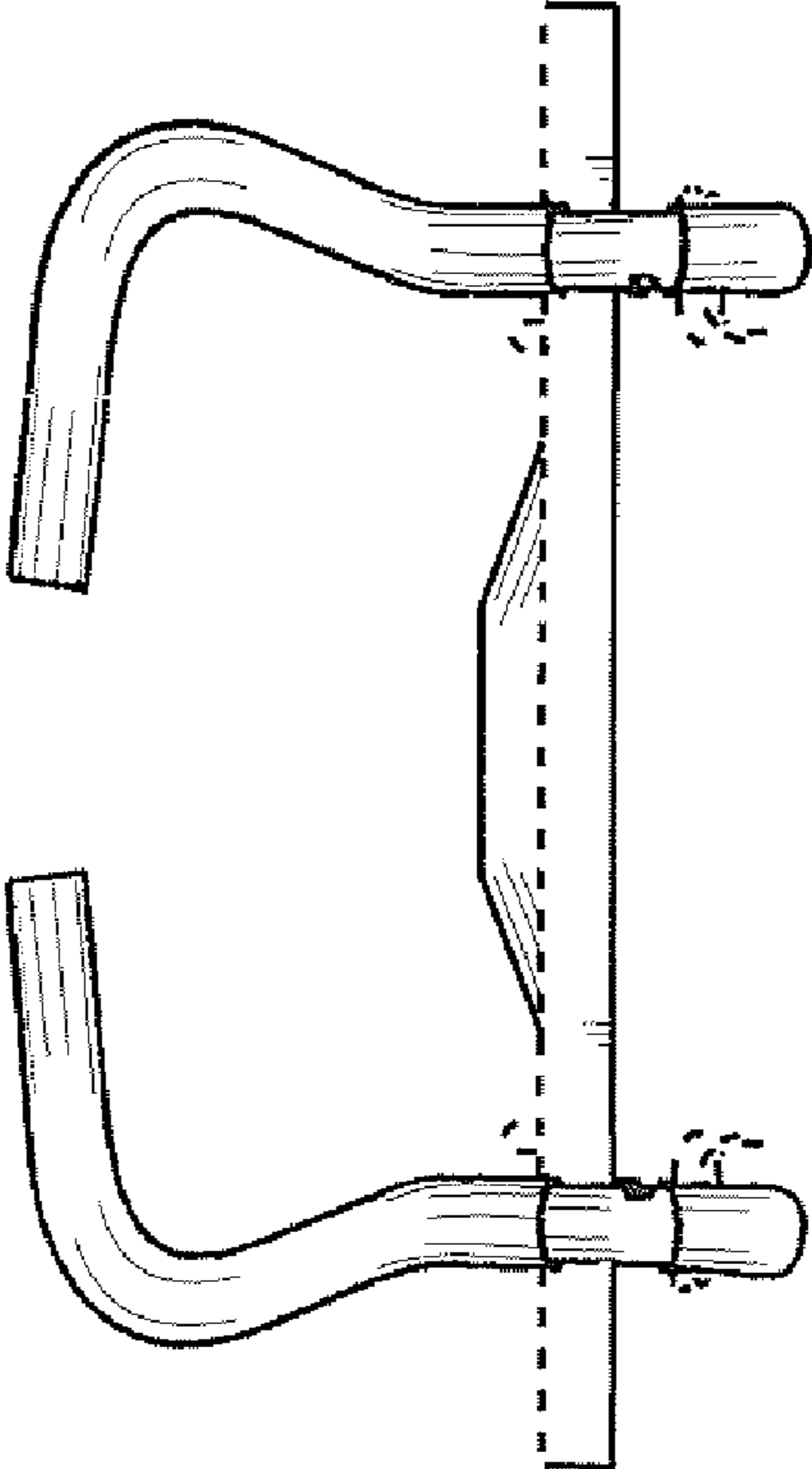


FIG. 15