



US00D622333S

(12) **United States Design Patent**
Eckermann

(10) **Patent No.:** **US D622,333 S**

(45) **Date of Patent:** **** Aug. 24, 2010**

(54) **NECK EXERCISE DEVICE**

(75) **Inventor:** **Bronte Paul Eckermann**, Eastwood (AU)

(73) **Assignee:** **XON Systems Limited**, Douglas, Isle of Man (GB)

(**) **Term:** **14 Years**

(21) **Appl. No.:** **29/314,721**

(22) **Filed:** **Apr. 21, 2009**

(30) **Foreign Application Priority Data**

Oct. 23, 2008 (EM) 001026538

(51) **LOC (9) Cl.** **21-01**

(52) **U.S. Cl.** **D21/662; D21/692**

(58) **Field of Classification Search** D21/662, D21/692-693; D24/191; 482/10, 11, 91, 482/92, 112, 122, 128, 131; 297/392; 128/DIG. 23, 128/848, 857; 27/25.1; 292/338

See application file for complete search history.

(56) **References Cited**

U.S. PATENT DOCUMENTS

197,243 A * 11/1877 Boylston 27/25.1
306,685 A * 10/1884 Hecox 27/25.1
591,338 A * 10/1897 Poetney et al. 433/140
1,051,896 A * 2/1913 Kirkpatrick 128/848
2,088,207 A * 7/1937 Kaiser 297/392

2,106,994 A * 2/1938 Chapman 482/126
D194,041 S * 11/1962 La Lanne D21/662
3,497,217 A * 2/1970 Feather 482/10
4,832,335 A * 5/1989 Tong 482/112
5,501,646 A 3/1996 Miller
5,913,756 A * 6/1999 Glaser 482/128
D425,583 S * 5/2000 Tyne D21/662
6,203,470 B1 * 3/2001 Lundin et al. 482/10
D486,192 S * 2/2004 Pointer, Jr. D21/692
7,055,908 B1 * 6/2006 Williams 297/392
7,500,279 B2 * 3/2009 Jackson 5/657

* cited by examiner

Primary Examiner—Susan E Krakower

(74) *Attorney, Agent, or Firm*—Lawrence G. Fridman

(57) **CLAIM**

The ornamental design for a neck exercise device, as shown.

DESCRIPTION

FIG. 1 is a front perspective view of the neck exercise device according to my new design;

FIG. 2 is a rear perspective view thereof;

FIG. 3 is a side elevational view thereof;

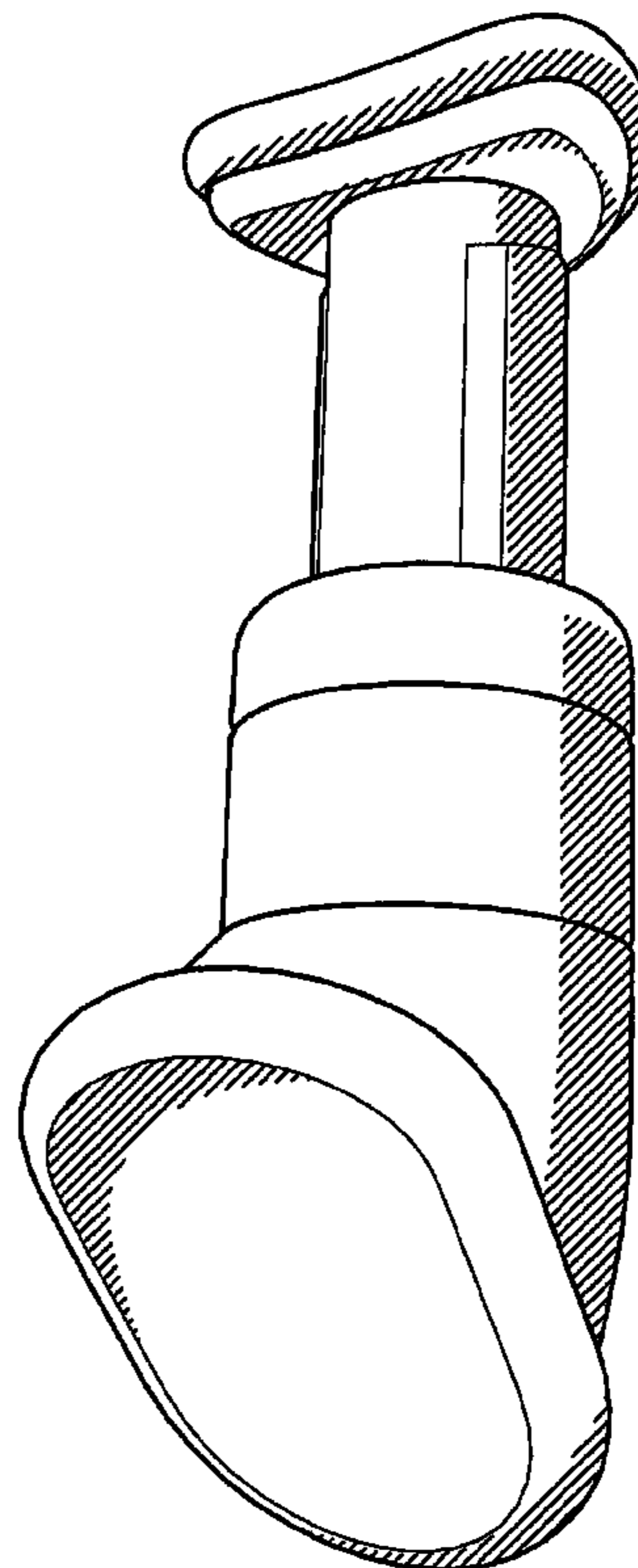
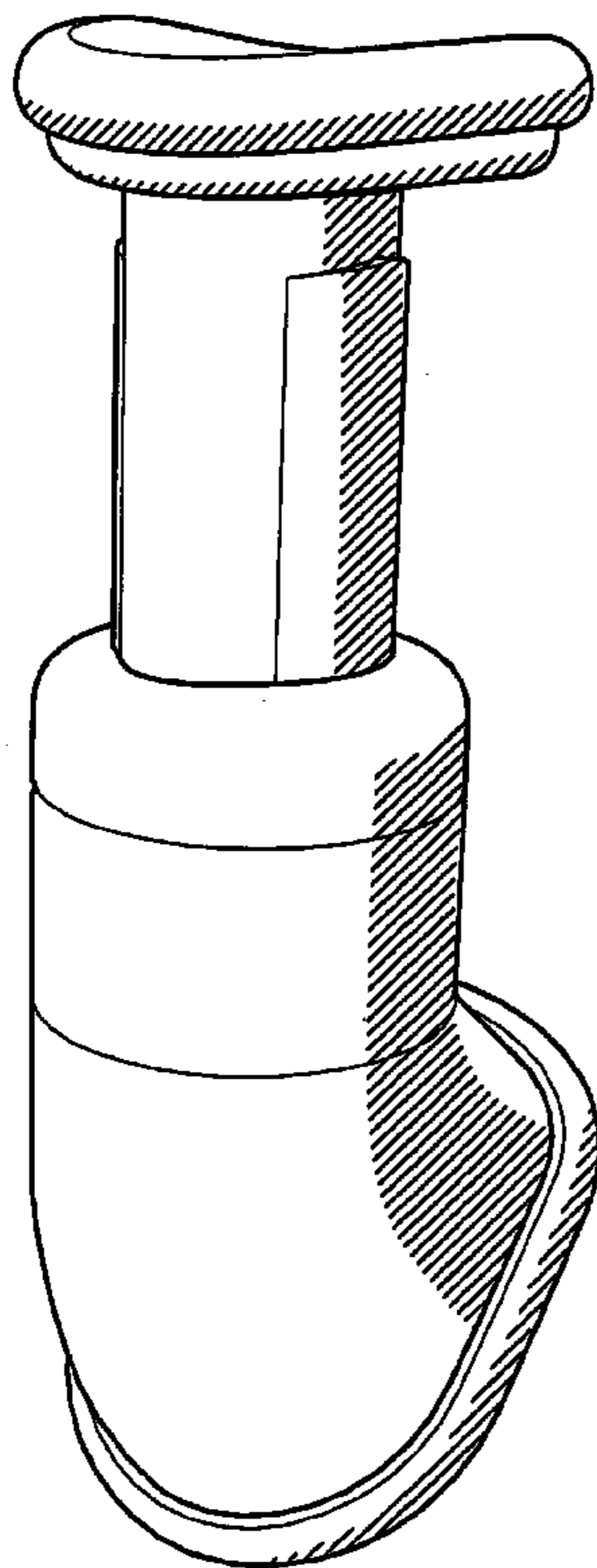
FIG. 4 is a front elevational view thereof;

FIG. 5 is a rear elevational view thereof;

FIG. 6 is a top plan view thereof; and,

FIG. 7 is a bottom plan view thereof.

1 Claim, 7 Drawing Sheets



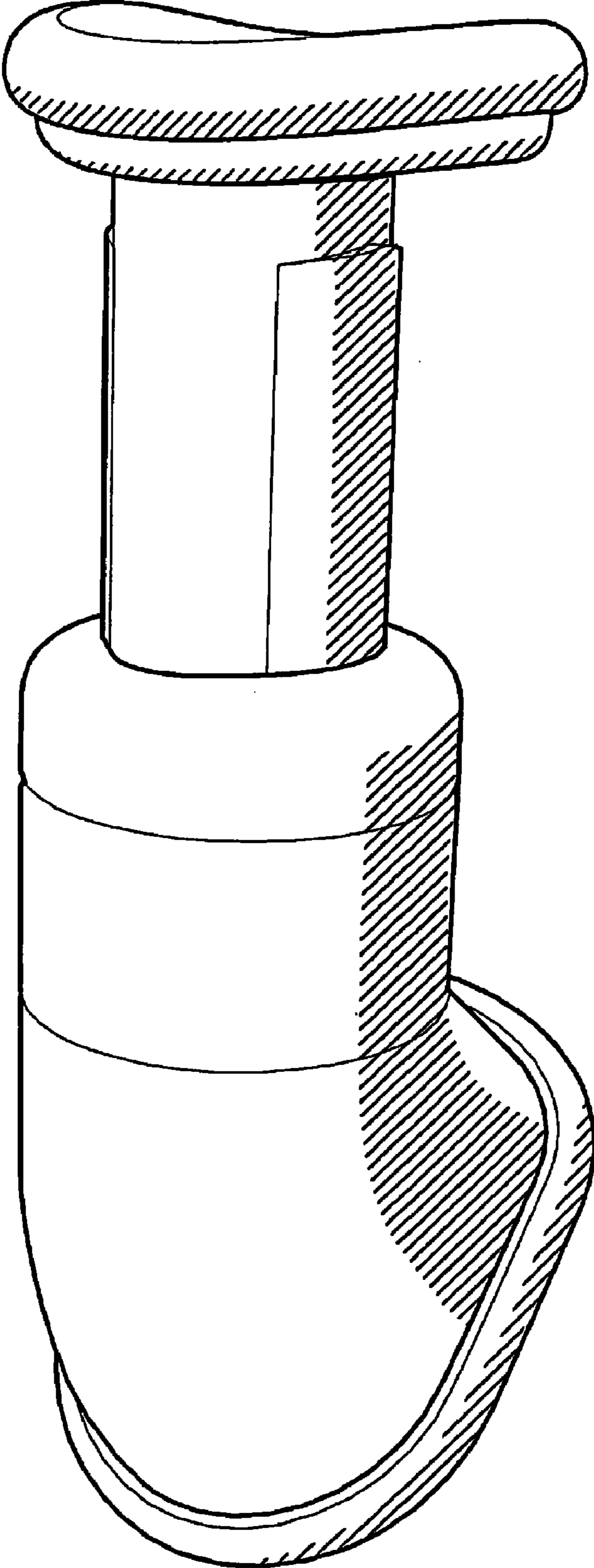


Fig. 1

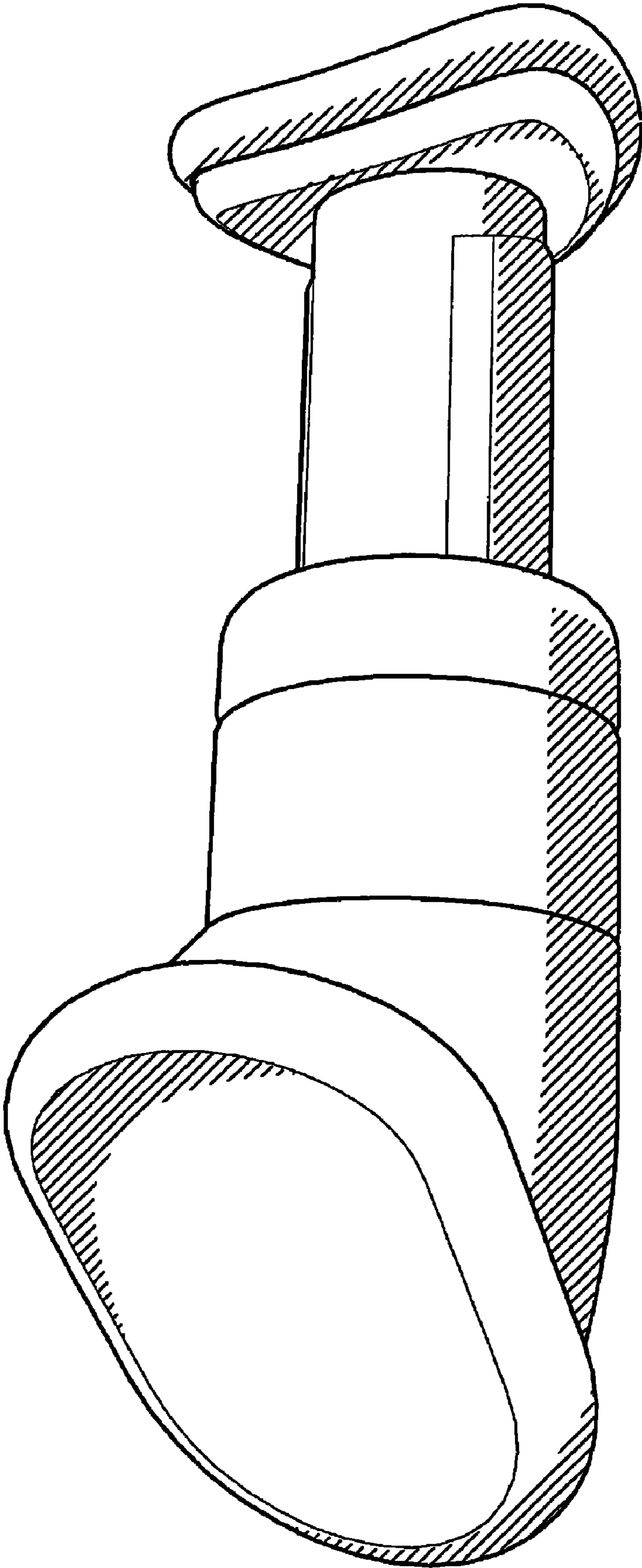


Fig. 2

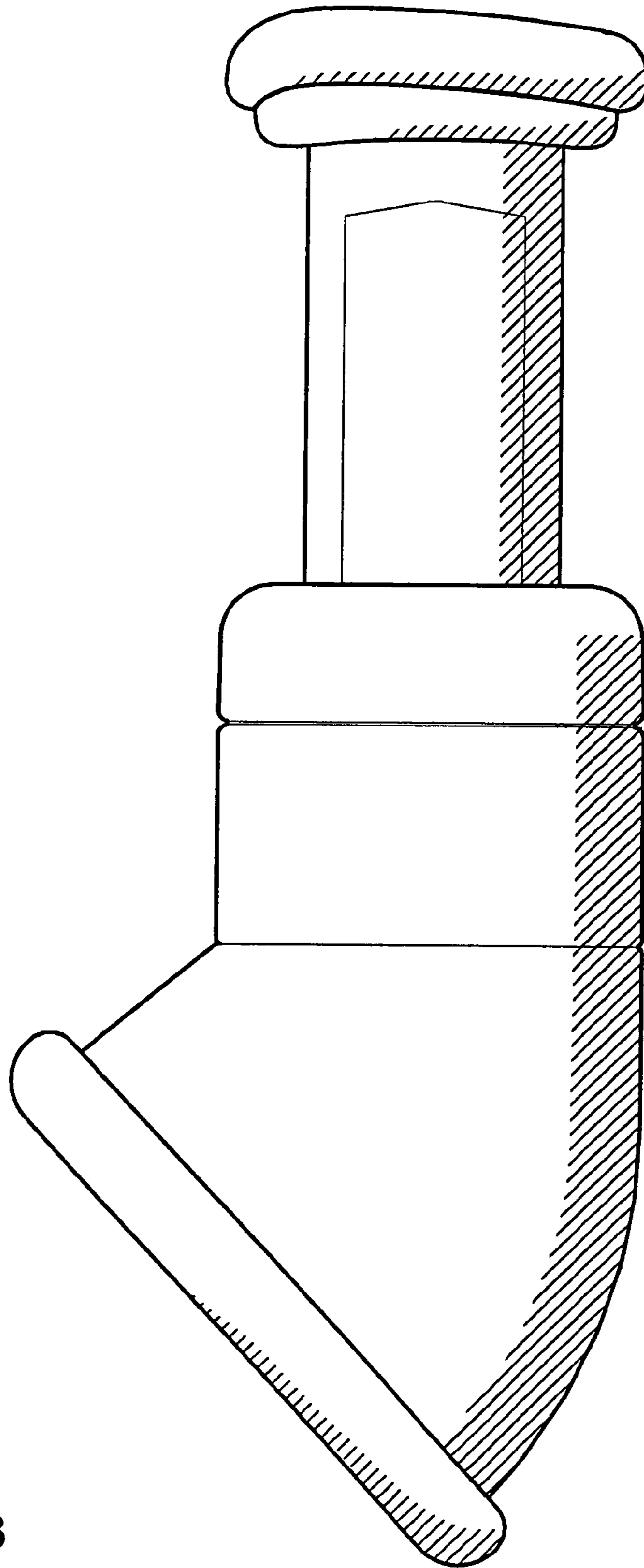


Fig. 3

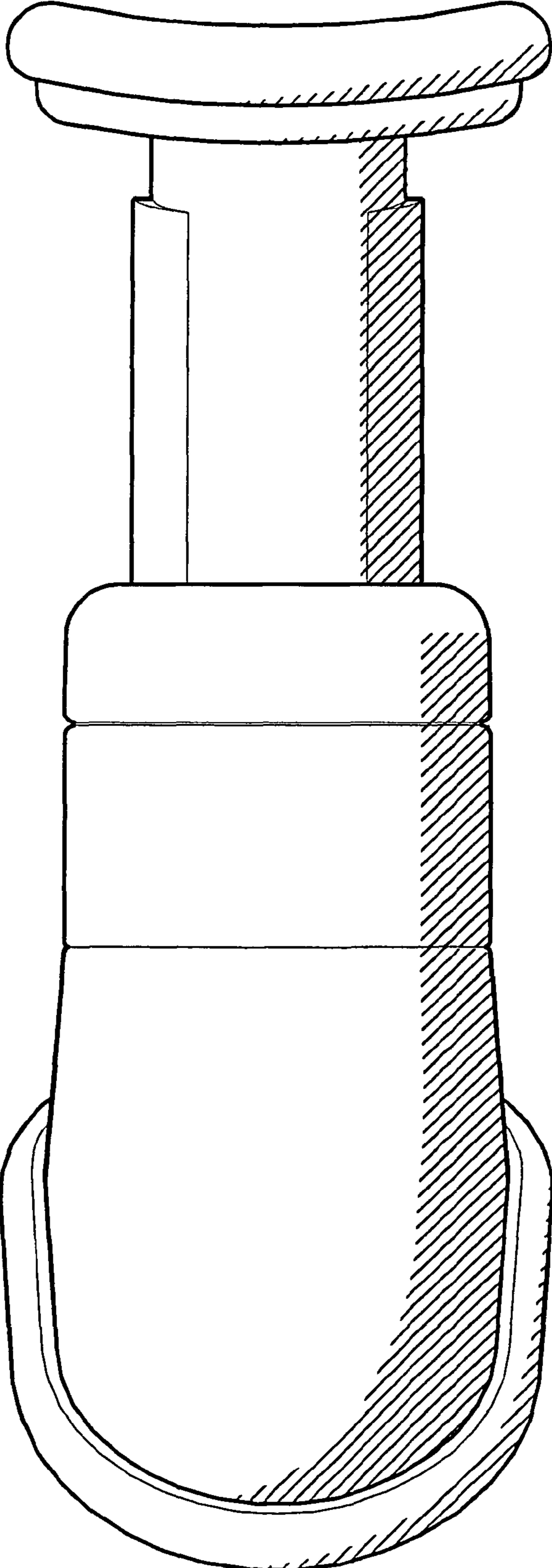


Fig. 4

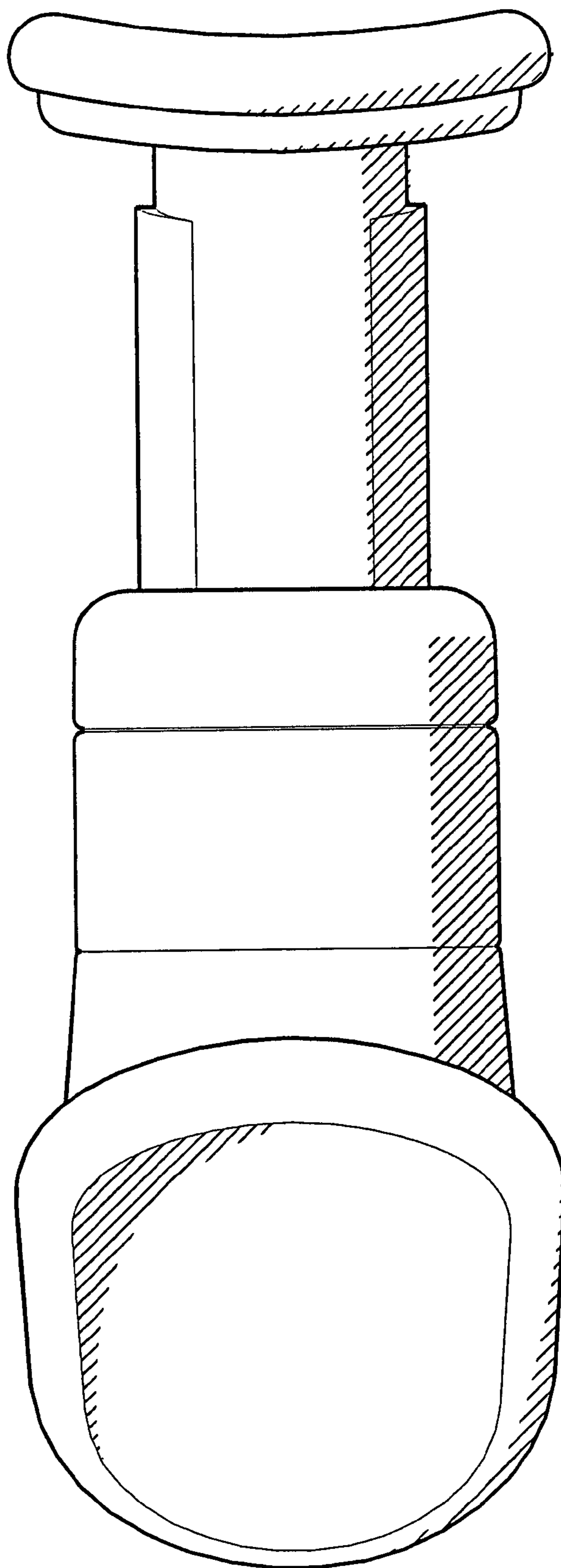


Fig. 5

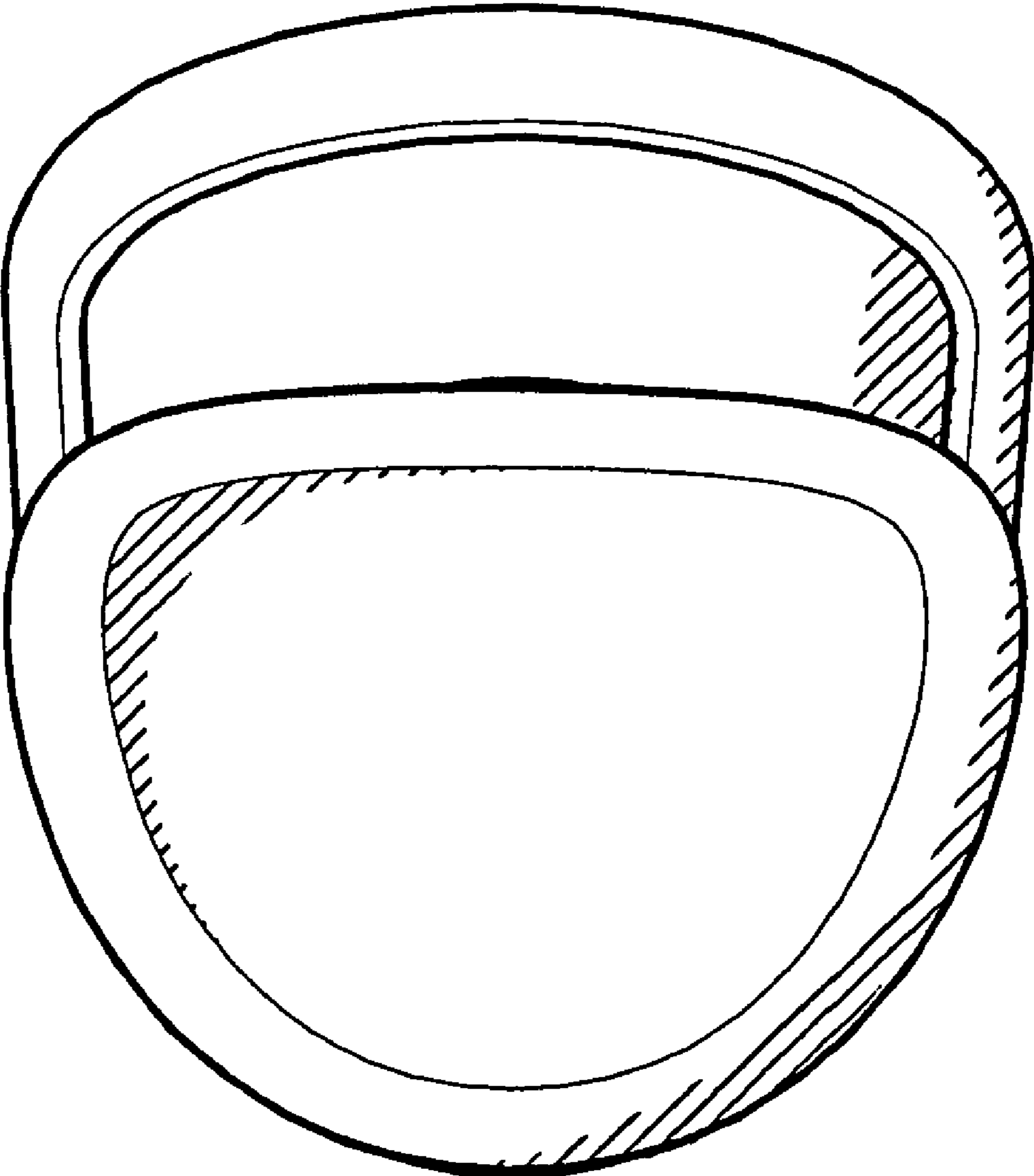


Fig. 6

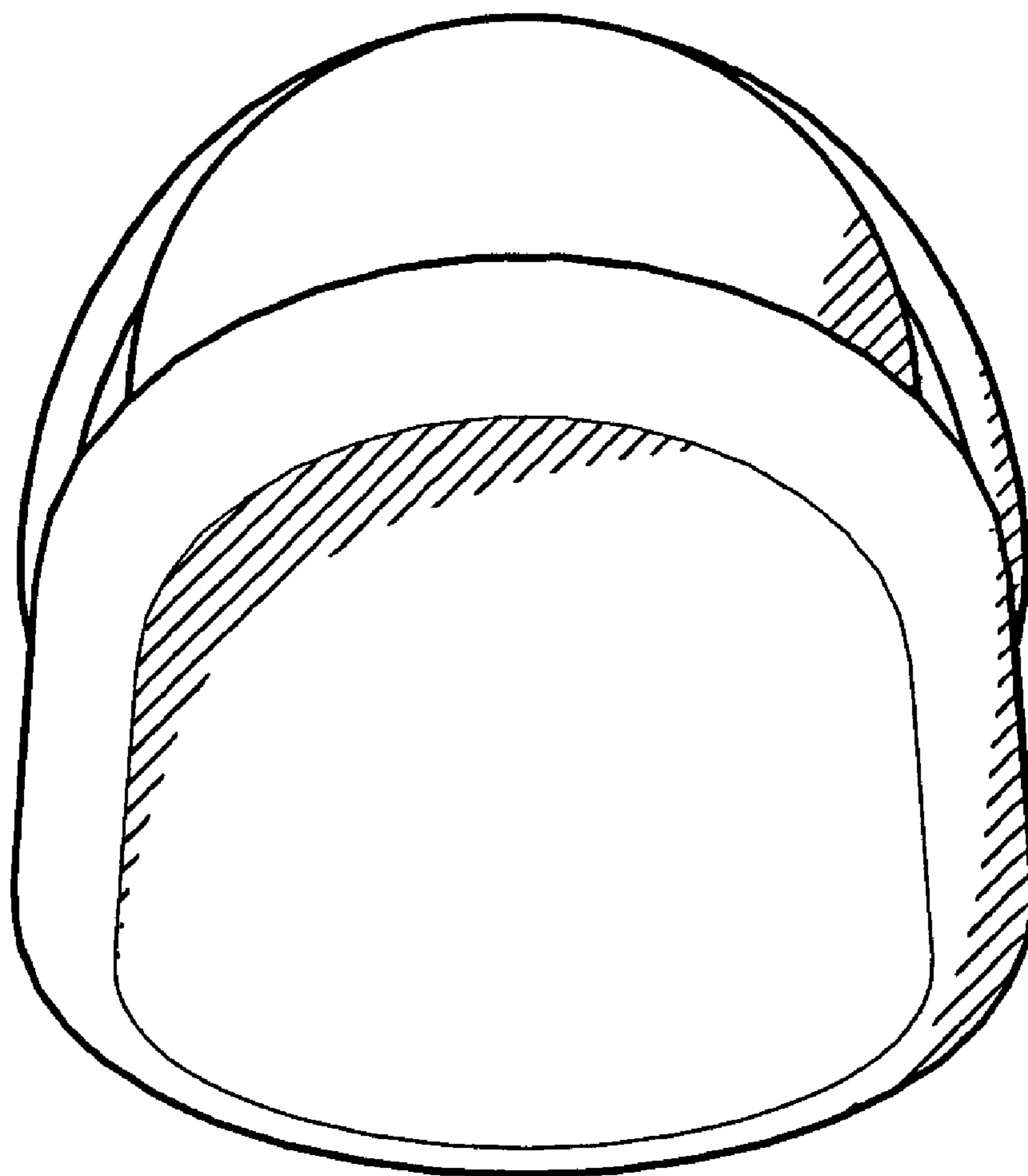


Fig. 7