



US00D622329S

(12) **United States Design Patent**
Davies

(10) **Patent No.:** **US D622,329 S**

(45) **Date of Patent:** **** Aug. 24, 2010**

(54) **ELEMENT FOR A TOY BUILDING SET**

(75) Inventor: **Jeffrey Alan Davies, Vejle (DK)**

(73) Assignee: **Lego A/S, Billund (DK)**

(**) Term: **14 Years**

(21) Appl. No.: **29/315,114**

(22) Filed: **May 27, 2009**

(30) **Foreign Application Priority Data**

Nov. 28, 2008 (EM) 001050645

(51) **LOC (9) Cl.** **21-01**

(52) **U.S. Cl.** **D21/498**

(58) **Field of Classification Search** D21/484,
D21/485, 486, 489, 491, 494, 495, 499, 500-504;
446/69, 85, 102-128; 434/208, 259, 403;
273/153, 156, 160; 428/174
See application file for complete search history.

(56) **References Cited**

U.S. PATENT DOCUMENTS

3,694,954 A * 10/1972 Brumlik 446/102
D231,546 S * 4/1974 Christiansen D21/495
D236,521 S * 8/1975 Christiansen D21/484
D306,190 S * 2/1990 Poulsen D21/498
D310,399 S * 9/1990 Dideriksen D21/561

D352,746 S * 11/1994 Hatting D21/502
D423,061 S * 4/2000 Raundahl D21/486
6,325,694 B1 * 12/2001 Clever et al. 446/104
D474,513 S * 5/2003 Kichijo D21/503
D545,381 S * 6/2007 Sorensen D21/484
D545,918 S * 7/2007 Sorensen D21/484
D575,833 S * 8/2008 Fink et al. D21/563
D596,243 S * 7/2009 Kichijo et al. D21/495

* cited by examiner

Primary Examiner—Cynthia M Chin

(74) *Attorney, Agent, or Firm*—Day Pitney LLP

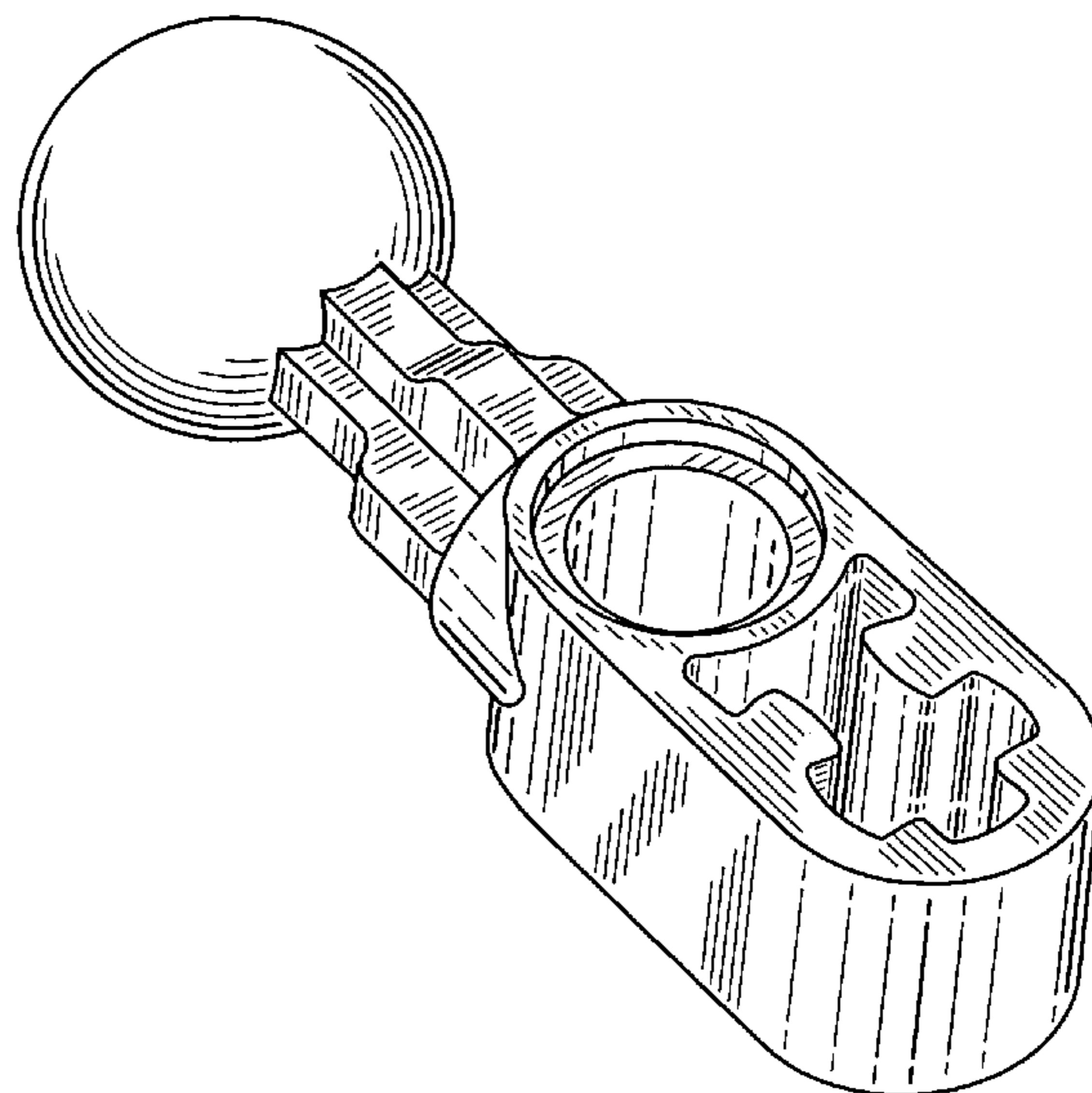
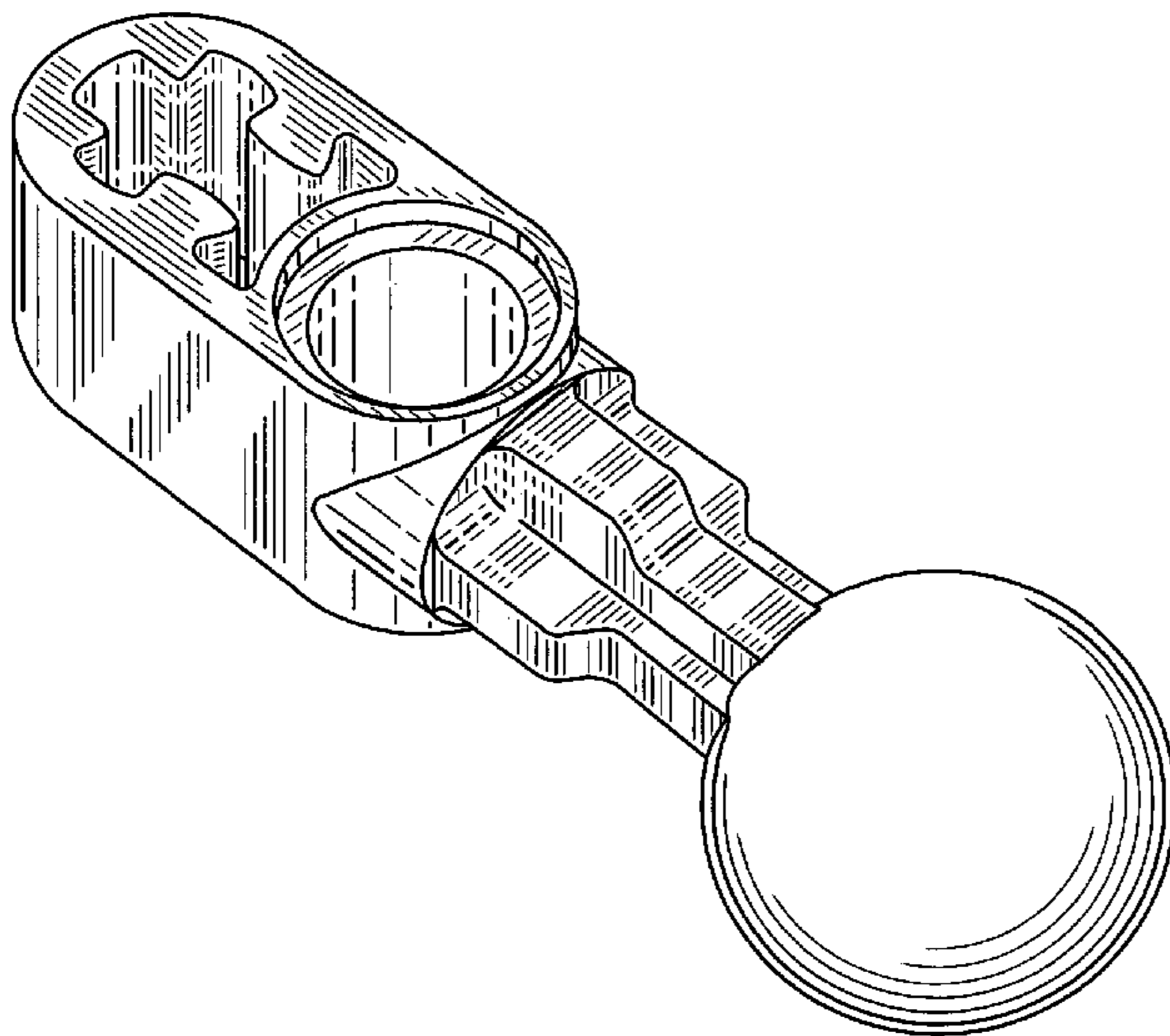
(57) **CLAIM**

The ornamental design for an element for a toy building set, as shown and described.

DESCRIPTION

FIG. 1 is a top perspective view of my design for an element for a toy building set in accordance with the present design; FIG. 2 is a bottom perspective view thereof; FIG. 3 is a right side view thereof; FIG. 4 is a left side view thereof; FIG. 5 is a top plan view thereof; FIG. 6 is a front view thereof; and, FIG. 7 is a rear view thereof.

1 Claim, 7 Drawing Sheets



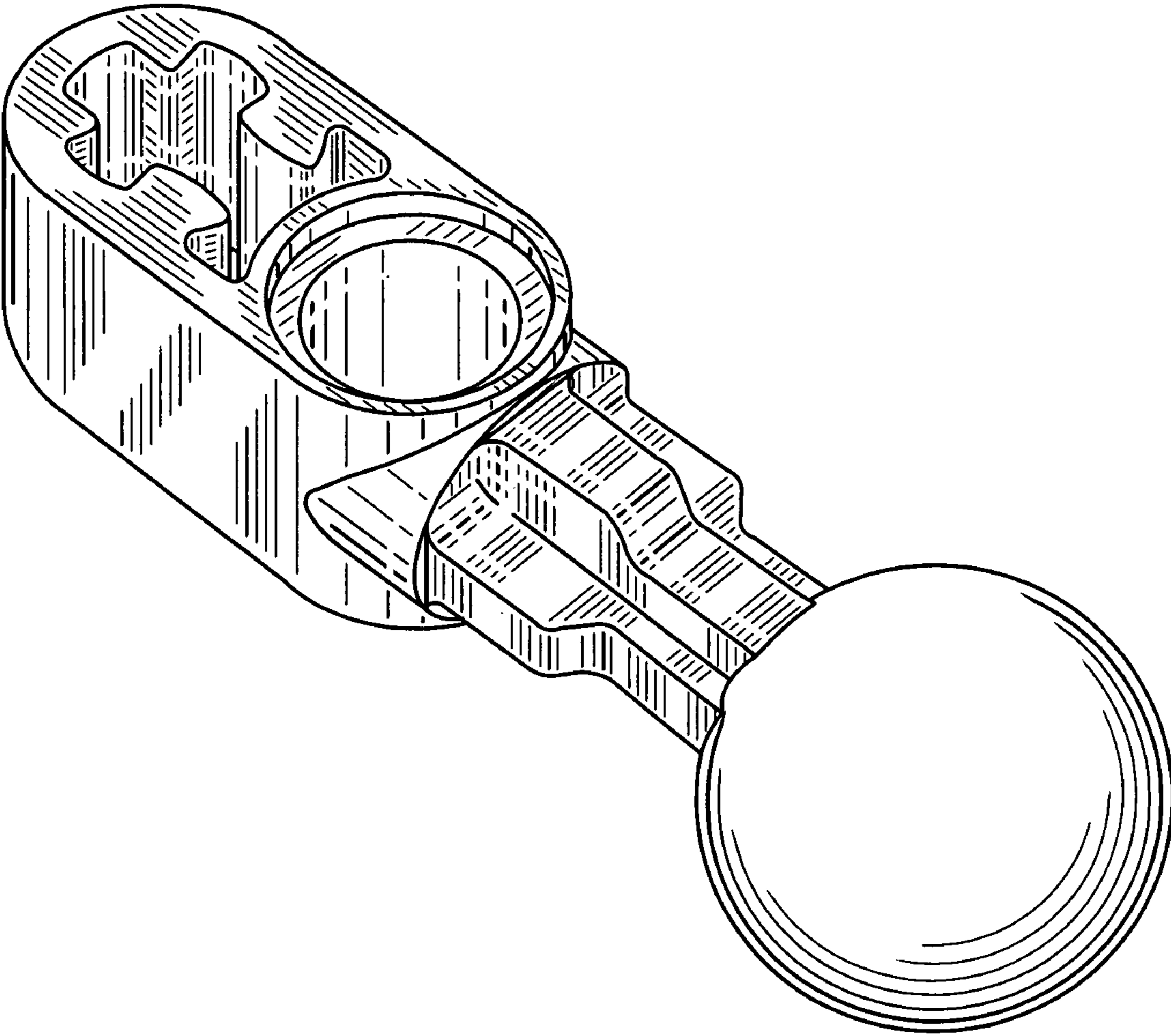


FIG. 1

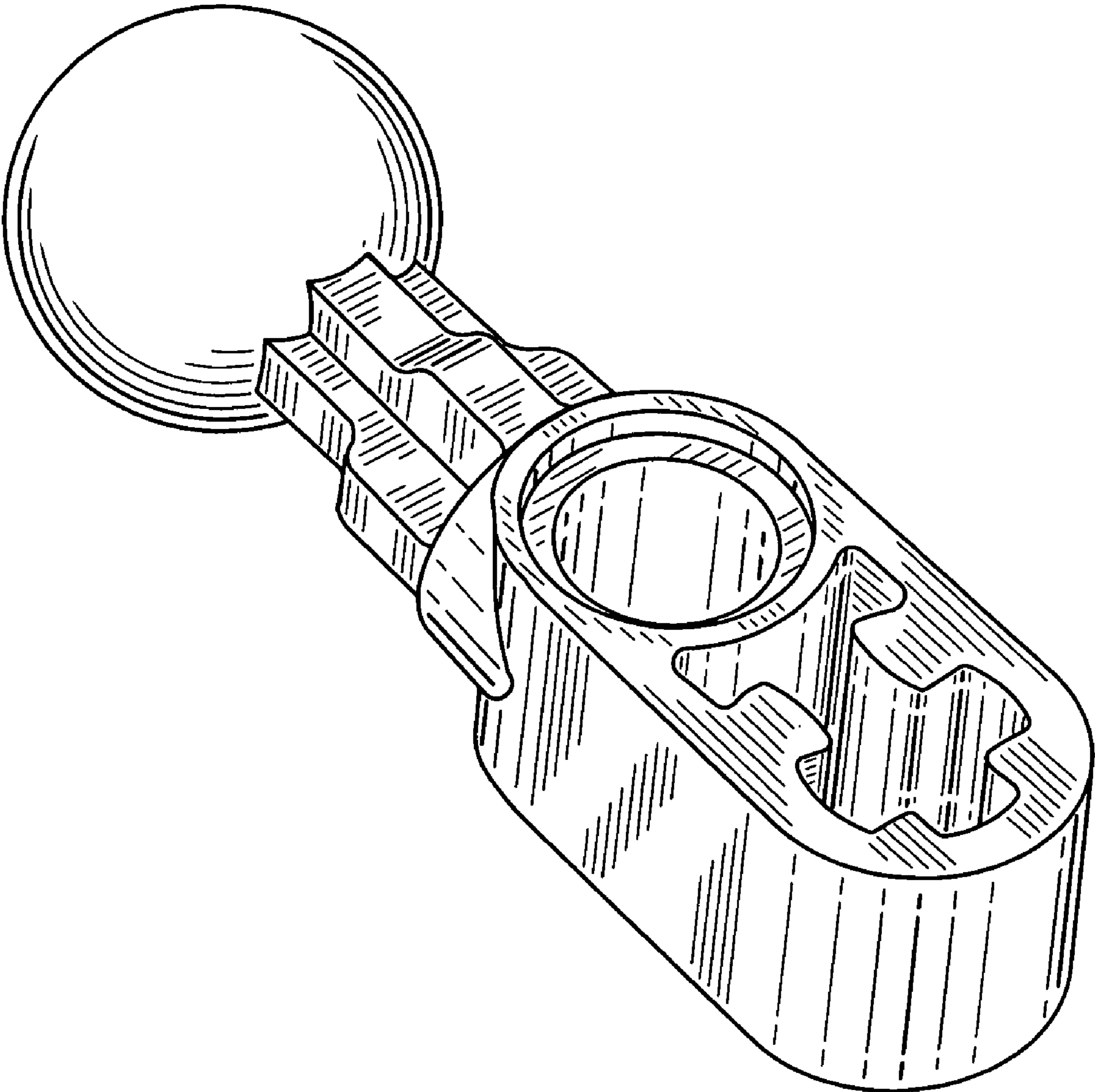


FIG. 2

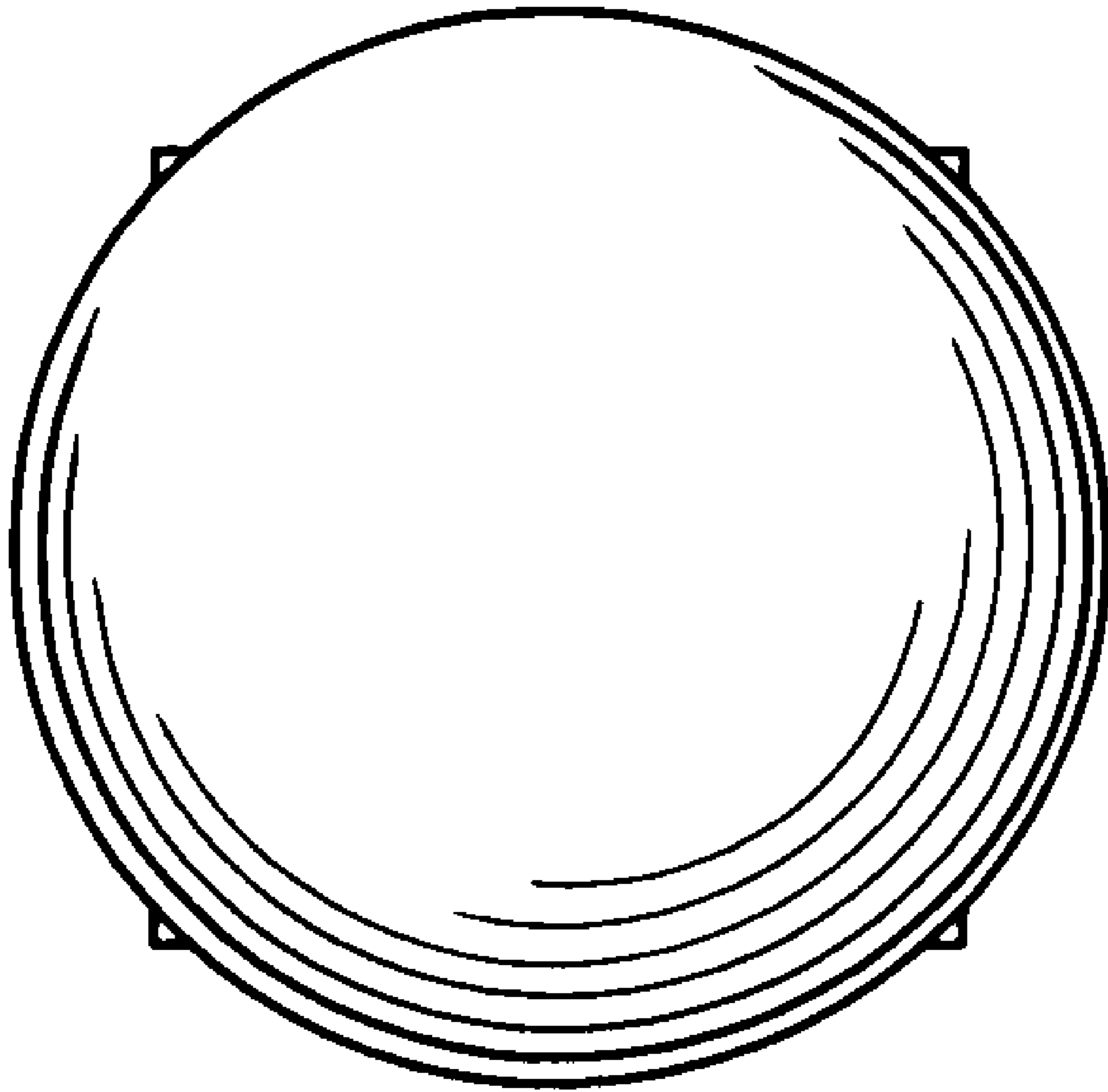


FIG. 3

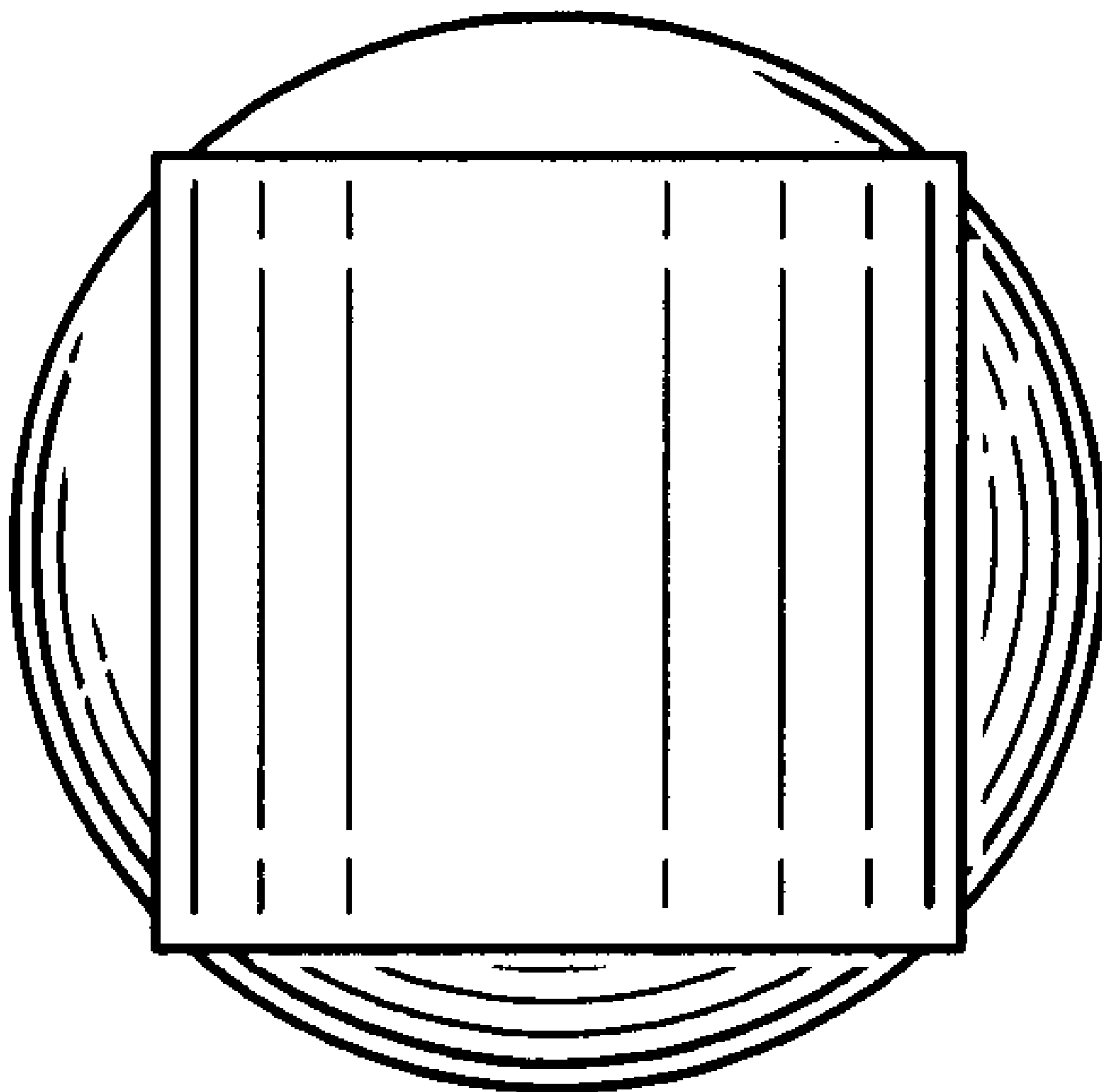


FIG. 4

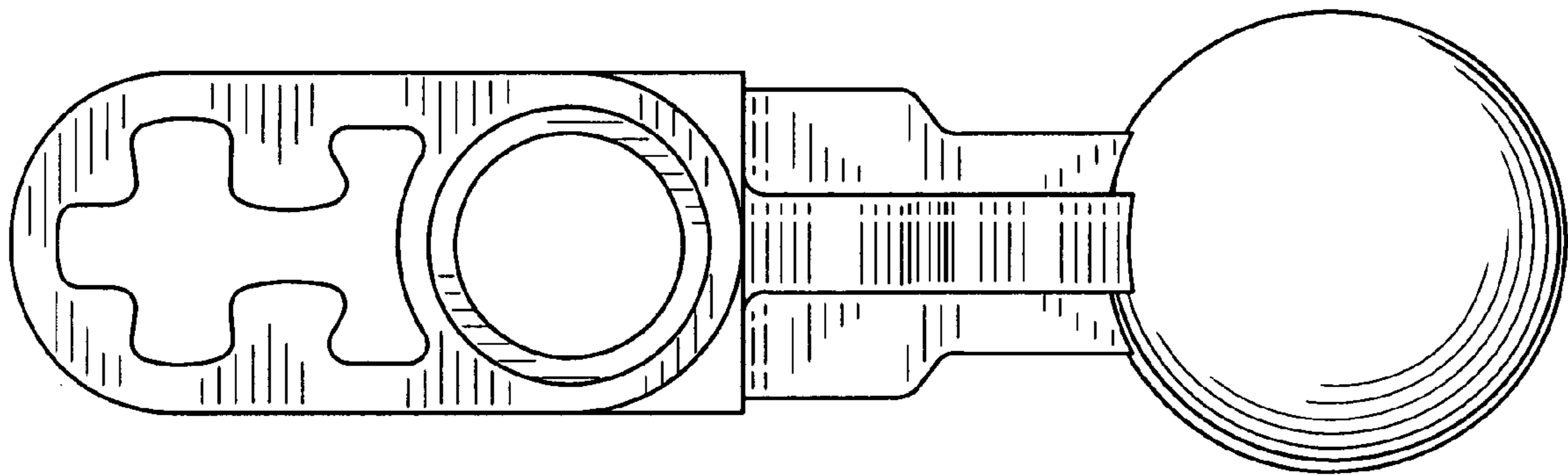


FIG. 5

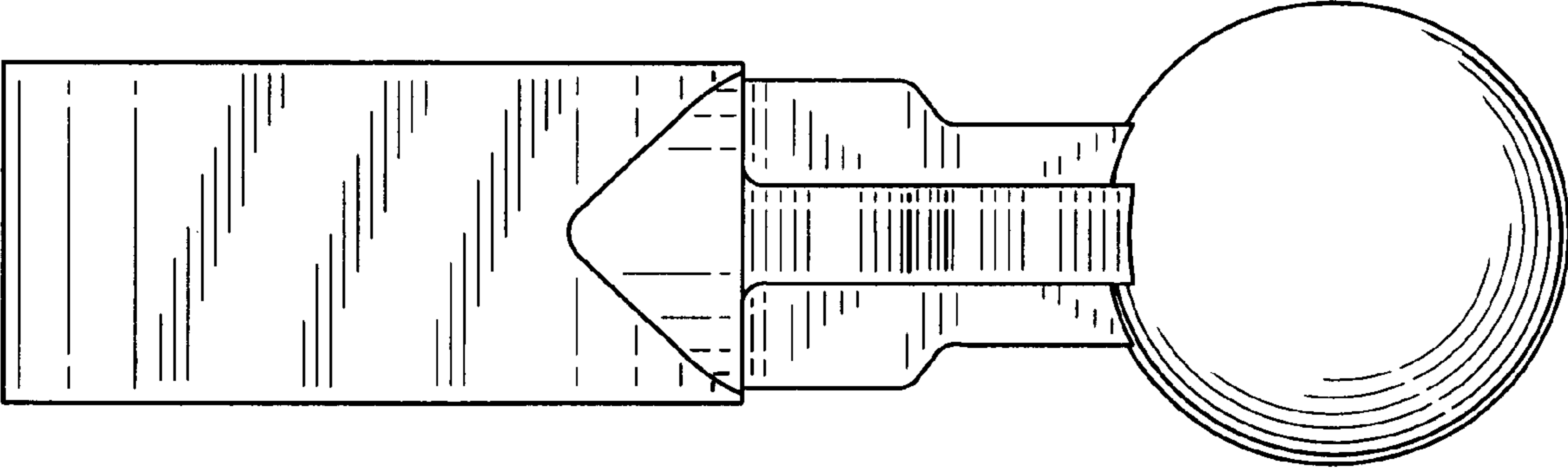


FIG. 6

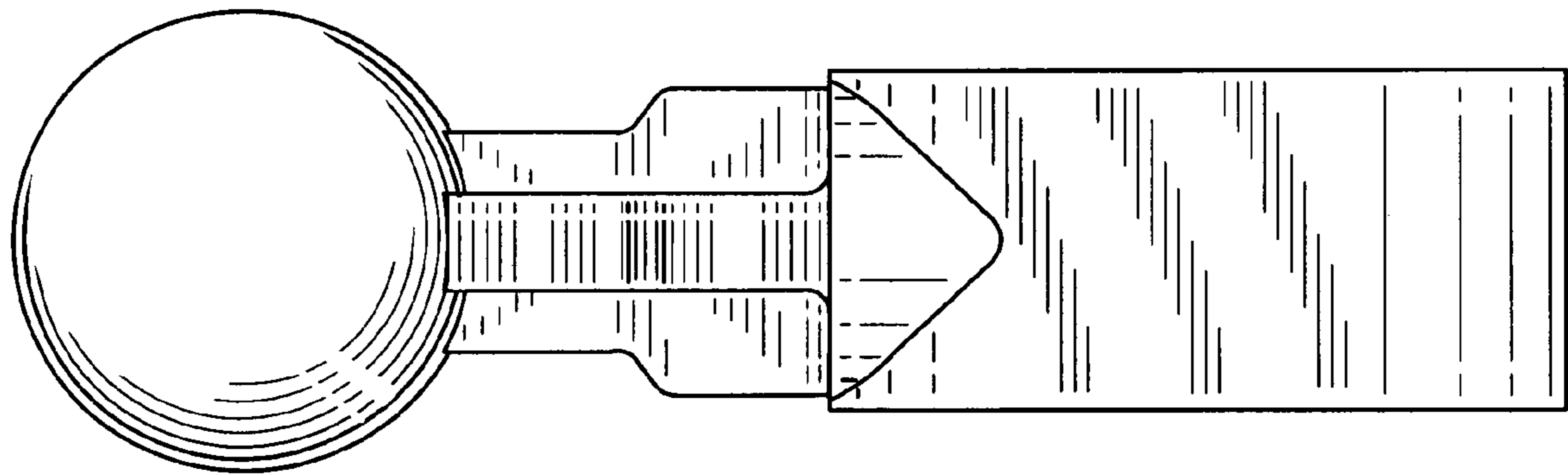


FIG. 7