



US00D622327S

(12) **United States Design Patent**
Roos et al.

(10) **Patent No.:** **US D622,327 S**
(45) **Date of Patent:** **** Aug. 24, 2010**

(54) **ILLUMINATING HANDLE FOR A TOY**
(76) Inventors: **Christian Roos**, Manosco Y Fco. Cruz
Miranda Falconi 28, Quito (EC) EC1701;
Lori Forest, 1800 Dutch La., #96,
Jeffersonville, IN (US) 47130;
Christopher D. Kelly, 606 Wildwood
Rd., Sellersburg, IN (US) 47172

(**) Term: **14 Years**
(21) Appl. No.: **29/353,677**
(22) Filed: **Jan. 12, 2010**

(51) **LOC (9) Cl.** **21-01**
(52) **U.S. Cl.** **D21/398; D21/400; D8/303;**
D26/38
(58) **Field of Classification Search** **D21/333,**
D21/385, 398, 400, 402, 406, 466, 483, 487,
D21/493, 513, 516, 517, 523, 525, 526, 529,
D21/532, 567-575, 662, 672, 679, 681, 682,
D21/694, 722-752, 756, 798, 811, 812; D3/5-17;
D8/83, 107, 300, 301, 303, 307, 310, 312,
D8/DIG. 4-DIG. 8; D10/104, 109, 114,
D10/212; D14/411, 412, 415; D17/22, 99;
D26/37-51; D28/35-57, 45-48; D7/393,
D7/395; 446/71, 76, 81, 144, 146, 166, 175,
446/176, 188, 193, 197, 219, 236, 242, 255,
446/264, 266, 267, 402, 404, 419, 421, 473,
446/484, 485, 486, 487, 491; 362/577, 84,
362/102; 84/477 B; 135/15.1-25.4, 65,
135/66, 75, 76-83, 910; 16/110.1, 421, 429,
16/430, 903, DIG. 12, DIG. 18; D19/47-51,
D19/54, 55

See application file for complete search history.

(56) **References Cited**
U.S. PATENT DOCUMENTS

D61,552 S * 10/1922 Woerner D3/7

2,242,981 A * 5/1941 Pedersen 362/577
4,106,079 A * 8/1978 Drury 362/34
5,037,346 A * 8/1991 Cimock 446/419
5,279,513 A * 1/1994 Connelly 446/219
6,120,023 A * 9/2000 Lai 273/144 B
D499,137 S * 11/2004 Shibata D19/43
D504,706 S * 5/2005 Bennett D21/398
D532,275 S * 11/2006 Lin D8/107
D534,975 S * 1/2007 Norton et al. D21/756
D536,465 S * 2/2007 Krieger et al. D26/49
D538,868 S * 3/2007 Norton et al. D21/756
D603,464 S 11/2009 Roos et al.
2002/0065019 A1 * 5/2002 Pechersky et al. 446/268
2008/0014835 A1 * 1/2008 Weston et al. 446/484

* cited by examiner

Primary Examiner—Catherine Tuttle
(74) *Attorney, Agent, or Firm*—QuickPatents, Inc.; Kevin Prince

(57) **CLAIM**

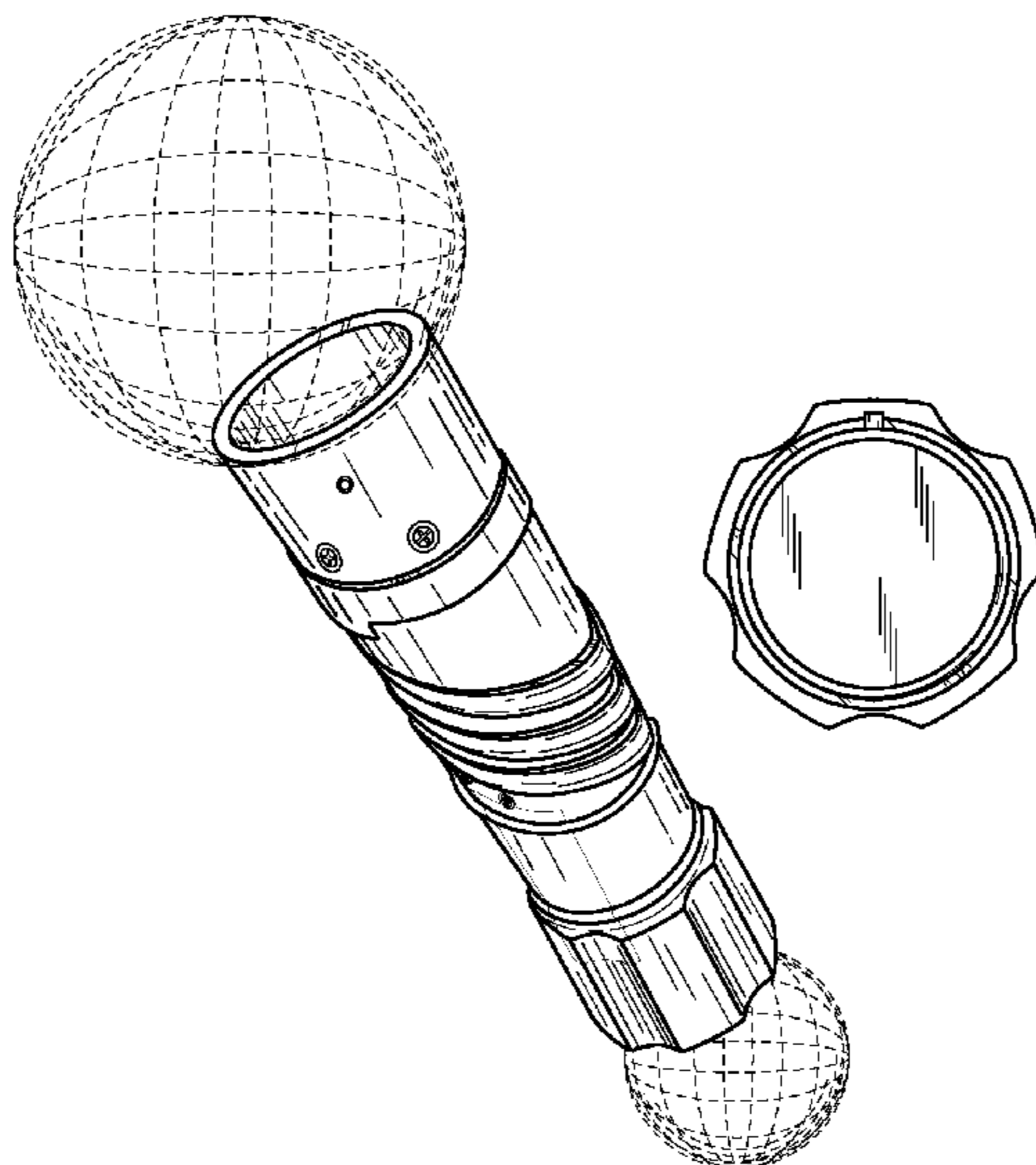
The ornamental design for an illuminating handle for a toy, as shown and described.

DESCRIPTION

FIG. 1 is a perspective view of an illuminating handle for a toy, showing our new design;
FIG. 2 is a front elevational view thereof;
FIG. 3 is a rear elevational view thereof;
FIG. 4 is a top plan view thereof;
FIG. 5 is a bottom plan view thereof.
FIG. 6 is a right-side elevational view thereof; and,
FIG. 7 is a left-side elevational view thereof.

The broken lines showing illuminated transparent prismatic balls in FIGS. 1 and 4-7 are included for the purpose of illustrating the invention in use, and form no part of the claimed design.

1 Claim, 2 Drawing Sheets



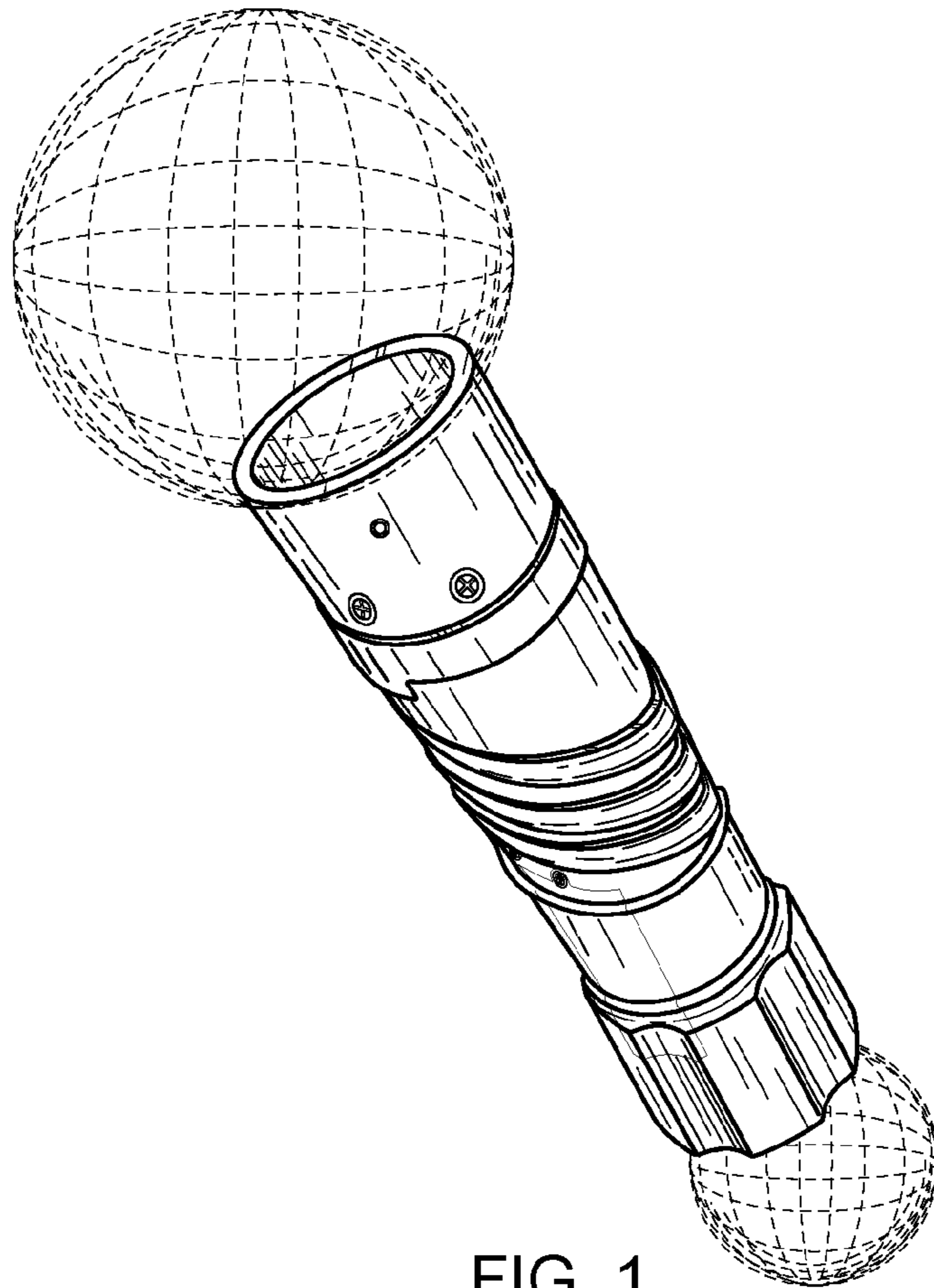


FIG. 1

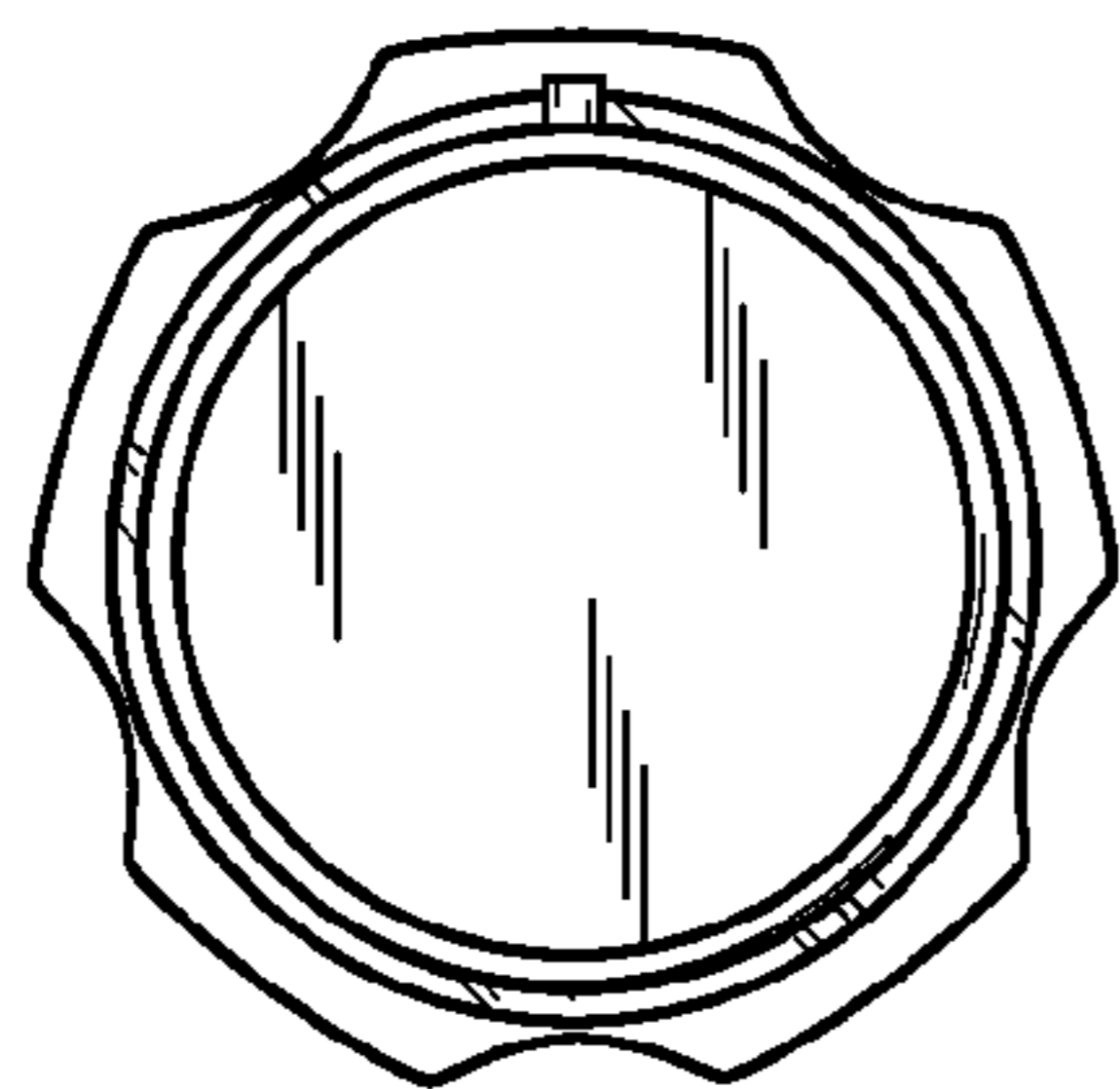


FIG. 2

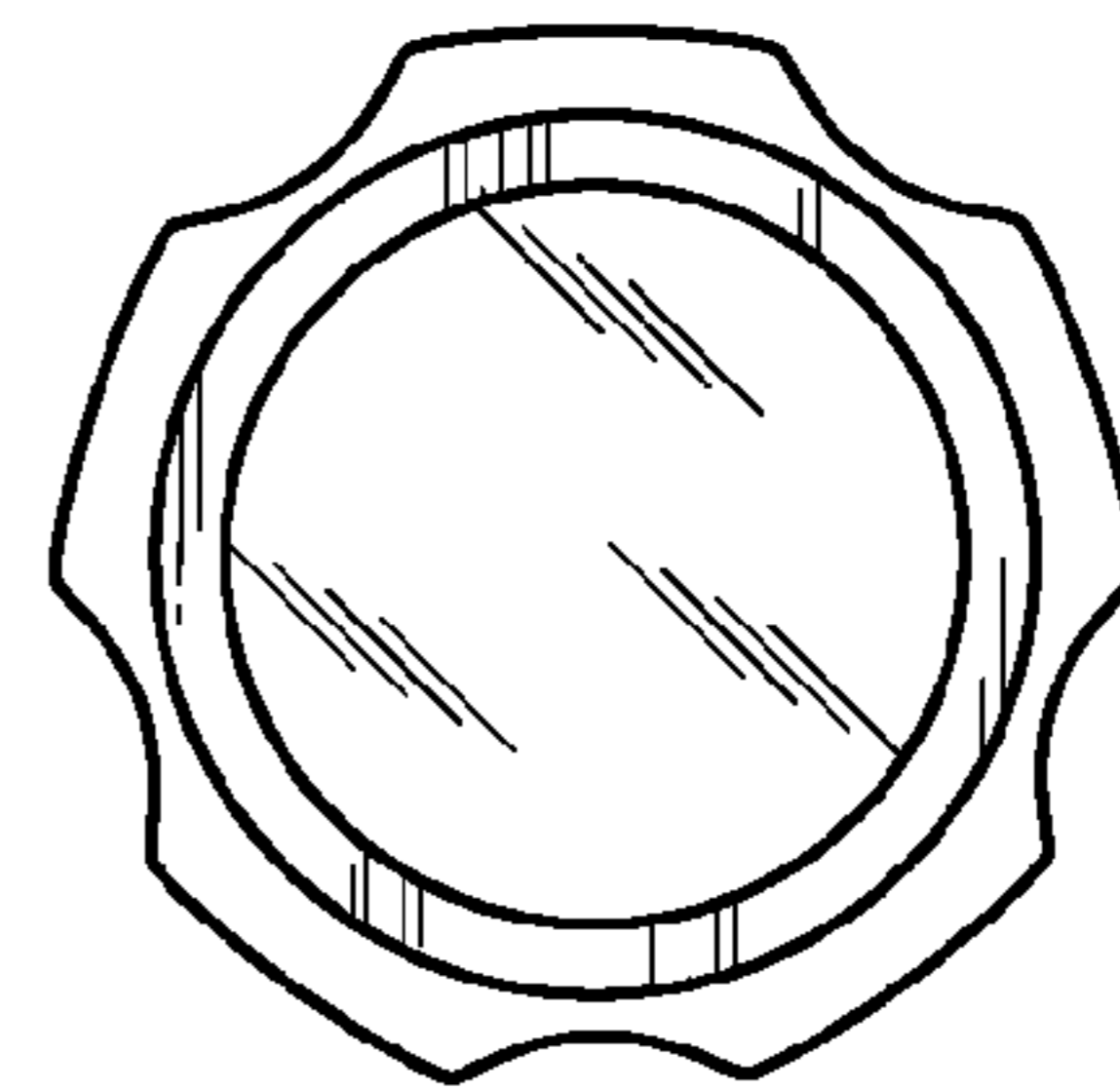


FIG. 3

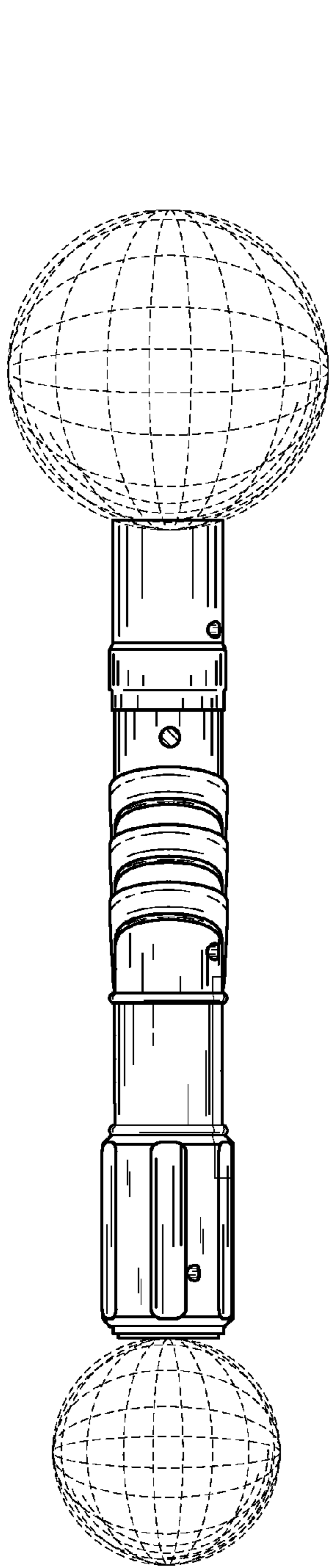


FIG. 4

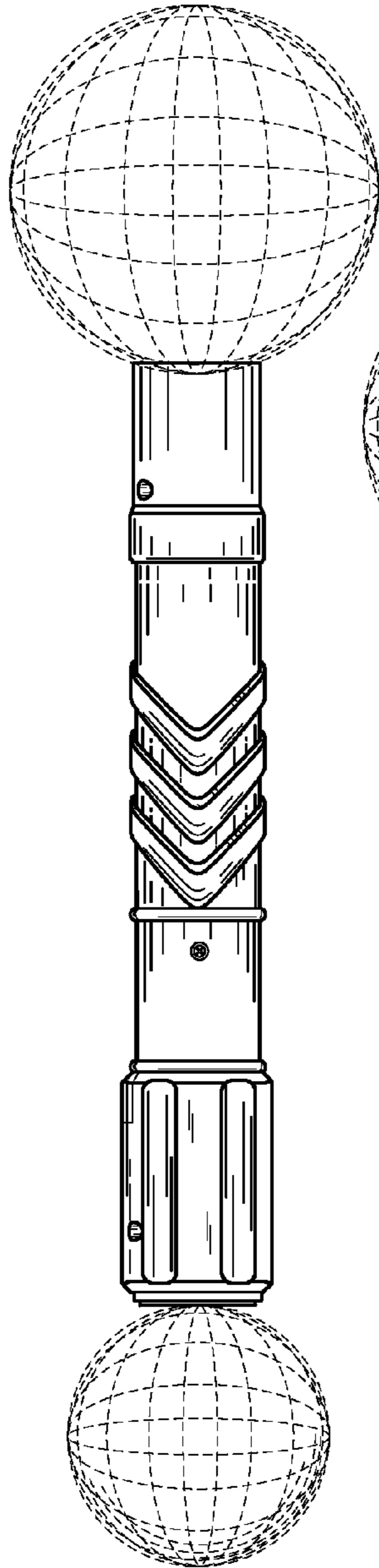


FIG. 5

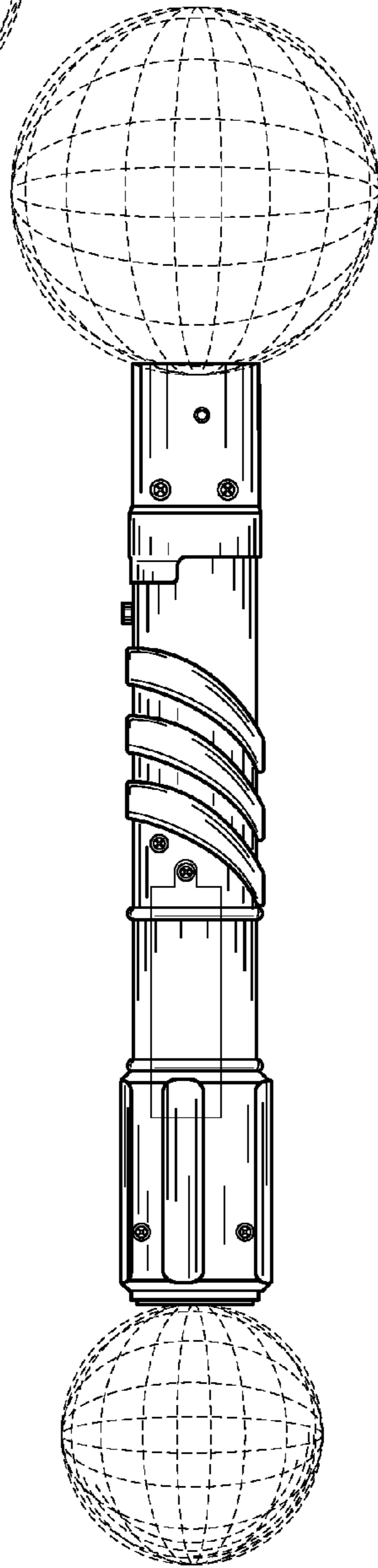


FIG. 6

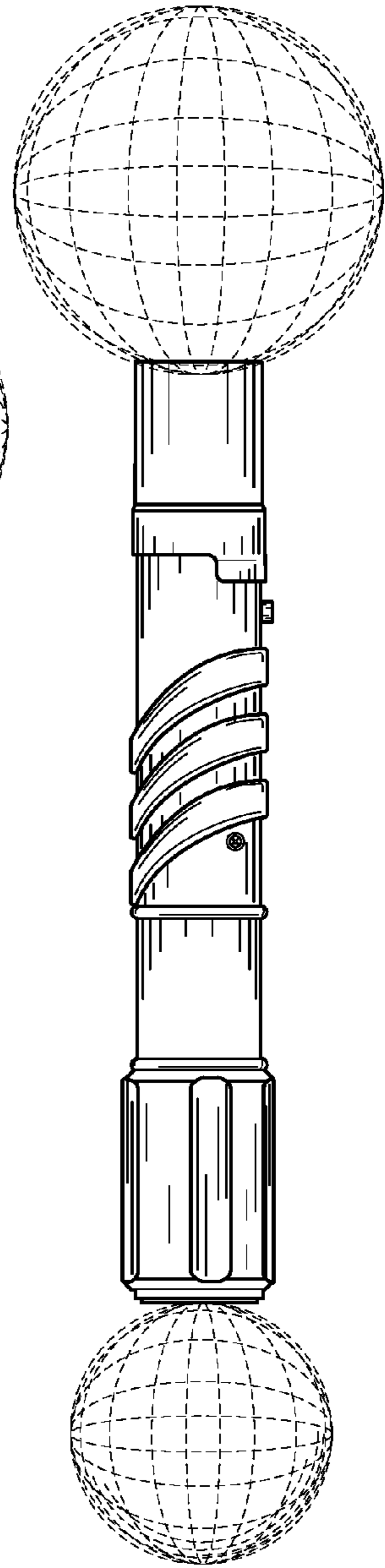


FIG. 7