



US00D622324S

(12) **United States Design Patent**
Komatsu

(10) **Patent No.:** **US D622,324 S**

(45) **Date of Patent:** **** Aug. 24, 2010**

(54) **GAME DEVICE**

(75) Inventor: **Gendai Komatsu**, Tokyo (JP)

(73) Assignee: **Kabushiki Kaisha Sega**, Tokyo (JP)

(**) Term: **14 Years**

(21) Appl. No.: **29/332,781**

(22) Filed: **Feb. 25, 2009**

(30) **Foreign Application Priority Data**

Aug. 26, 2008 (JP) 2008-021896

(51) **LOC (9) Cl.** **21-03**

(52) **U.S. Cl.** **D21/369**

(58) **Field of Classification Search** D21/324-329,
D21/369-370, 385; 273/309; 463/16-17,
463/46-47

See application file for complete search history.

(56) **References Cited**

U.S. PATENT DOCUMENTS

D333,164 S * 2/1993 Kraft et al. D21/325

D439,931 S * 4/2001 Yamaguchi D21/369

D451,151 S * 11/2001 Hedrick et al. D21/370

D498,267 S * 11/2004 Crouch D21/370
7,169,048 B2 * 1/2007 Nozaki et al. 463/30

* cited by examiner

Primary Examiner—Sandra Morris

(74) *Attorney, Agent, or Firm*—Dickstein Shapiro LLP

(57) **CLAIM**

The ornamental design for the game device, as shown and described.

DESCRIPTION

FIG. 1 is a front, top and right side perspective view of my new design for a game device;

FIG. 2 is a front elevational view of the game device of FIG. 1;

FIG. 3 is a rear elevational view of the game device of FIG. 1;

FIG. 4 is a top plan view of the game device of FIG. 1;

FIG. 5 is a bottom plan view of the game device of FIG. 1;

FIG. 6 is a right side elevational view of the game device of FIG. 1; and,

FIG. 7 is a left side elevational view of the game device of FIG. 1.

1 Claim, 7 Drawing Sheets

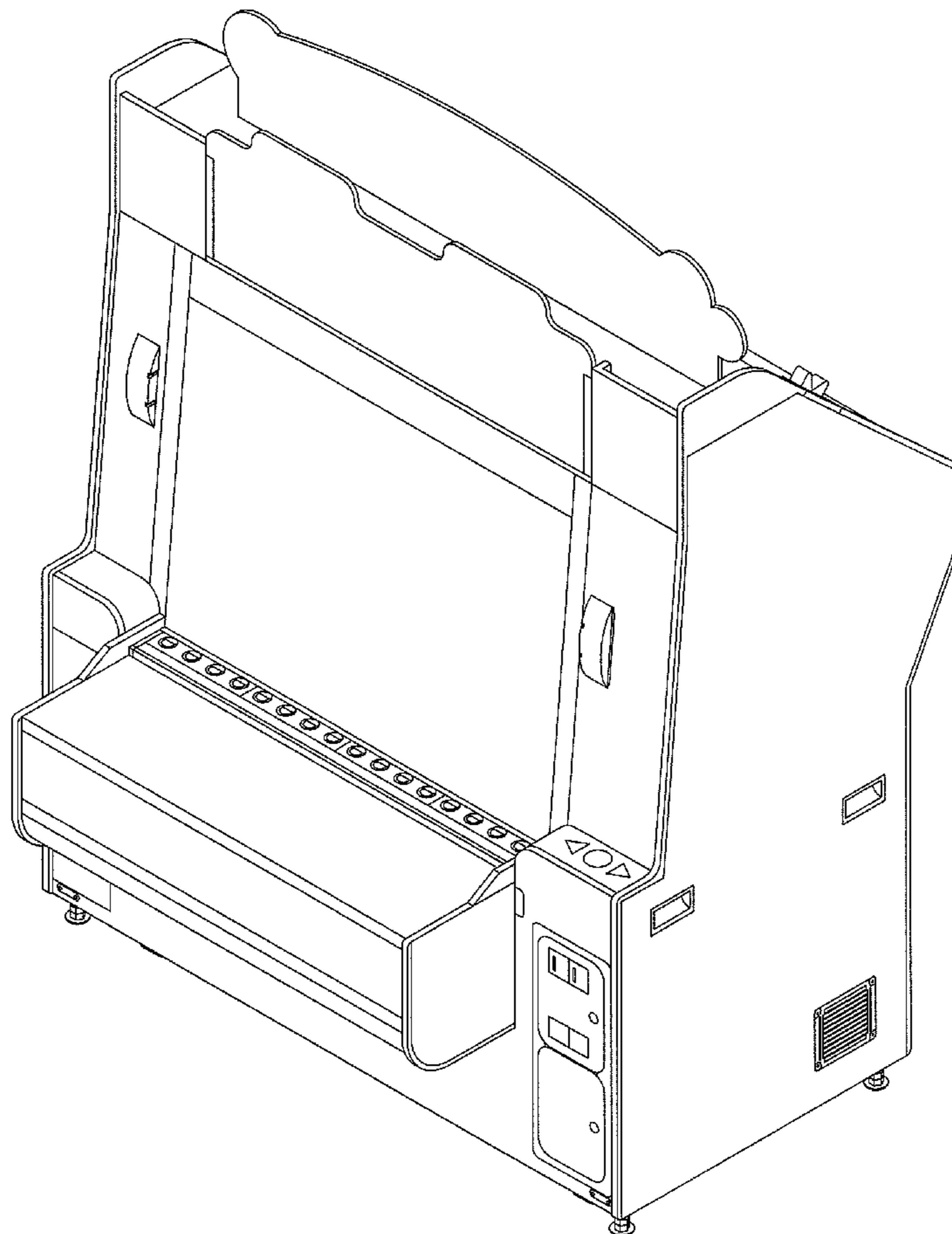


FIG. 1

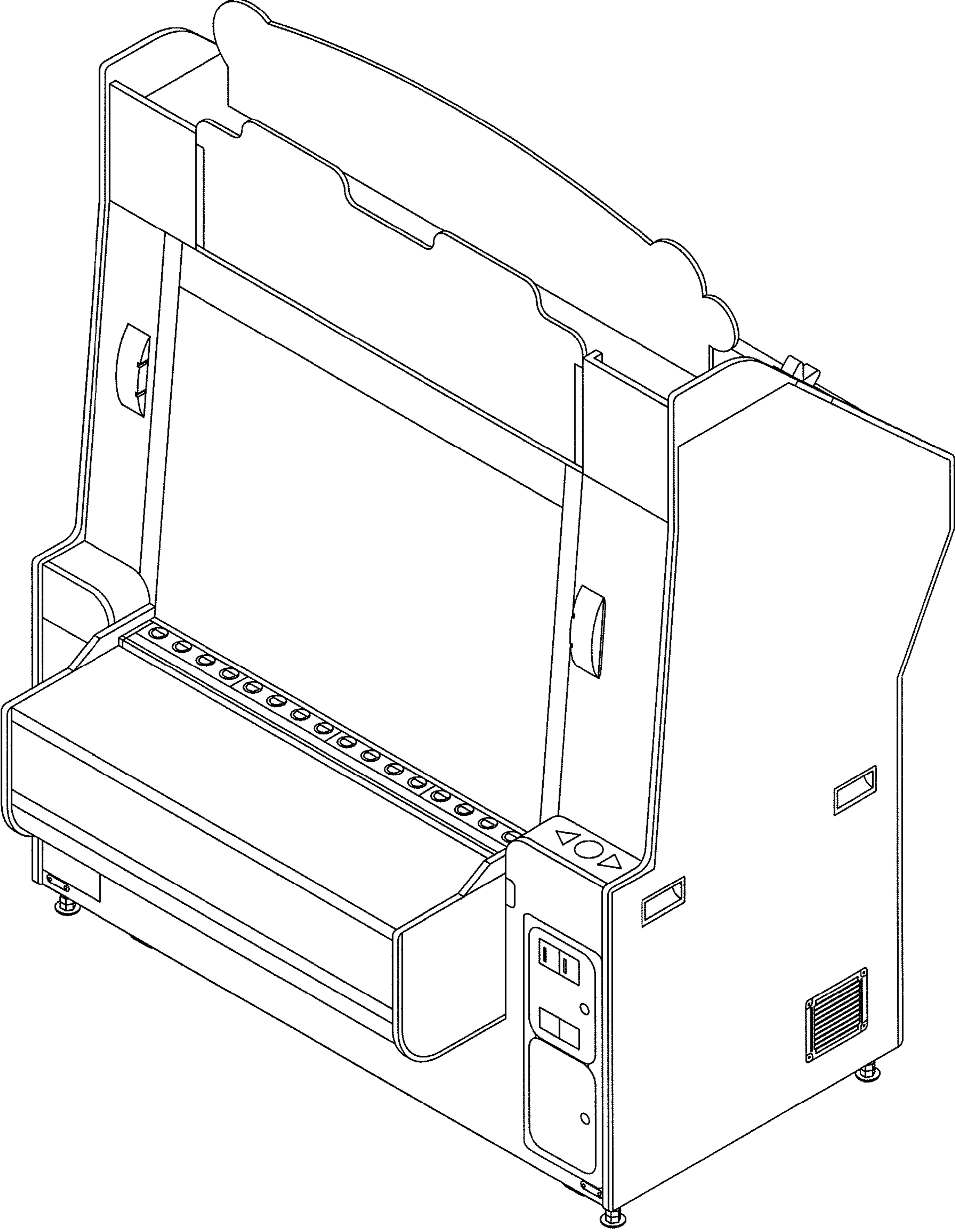


FIG.2

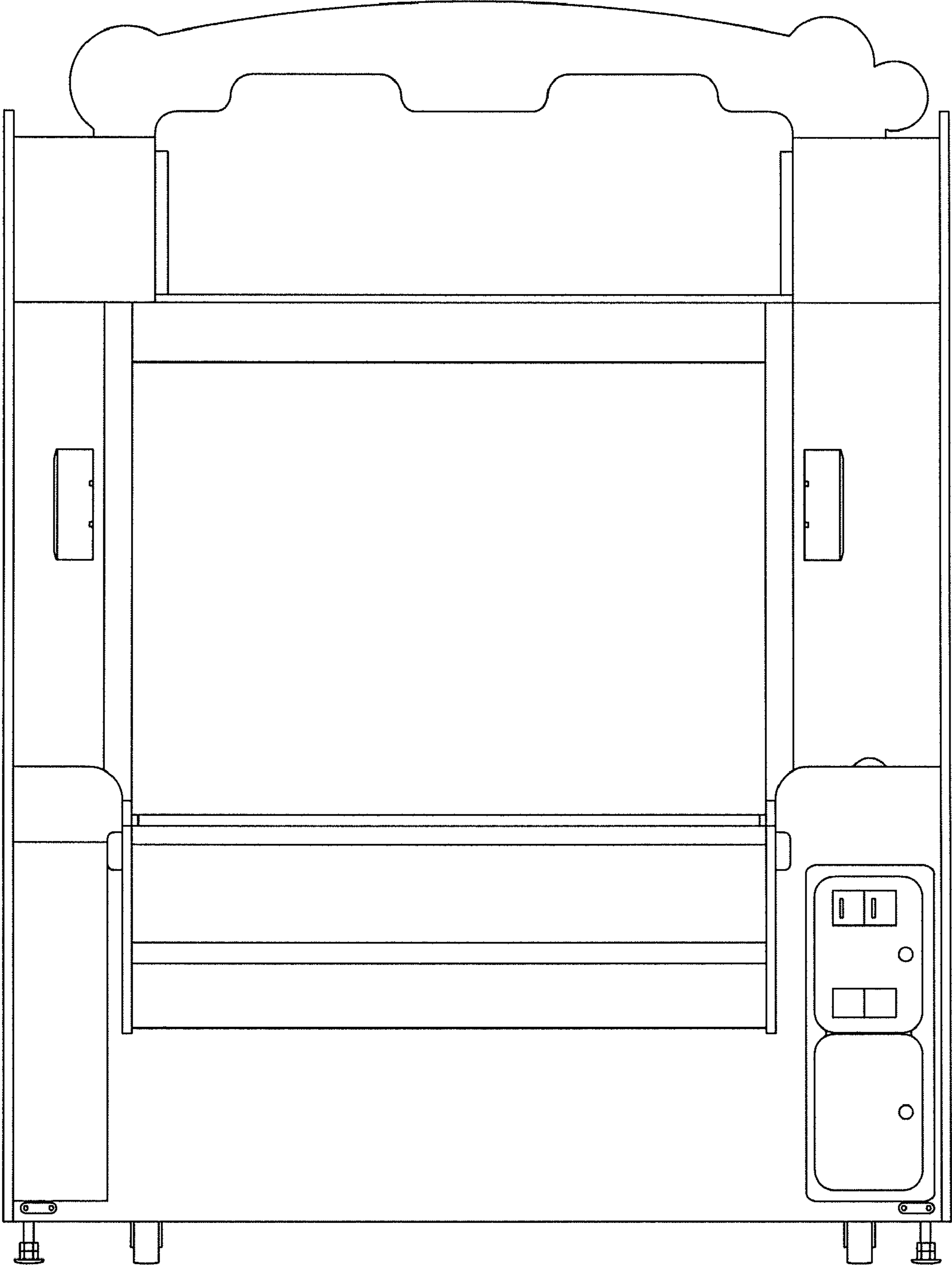


FIG.3

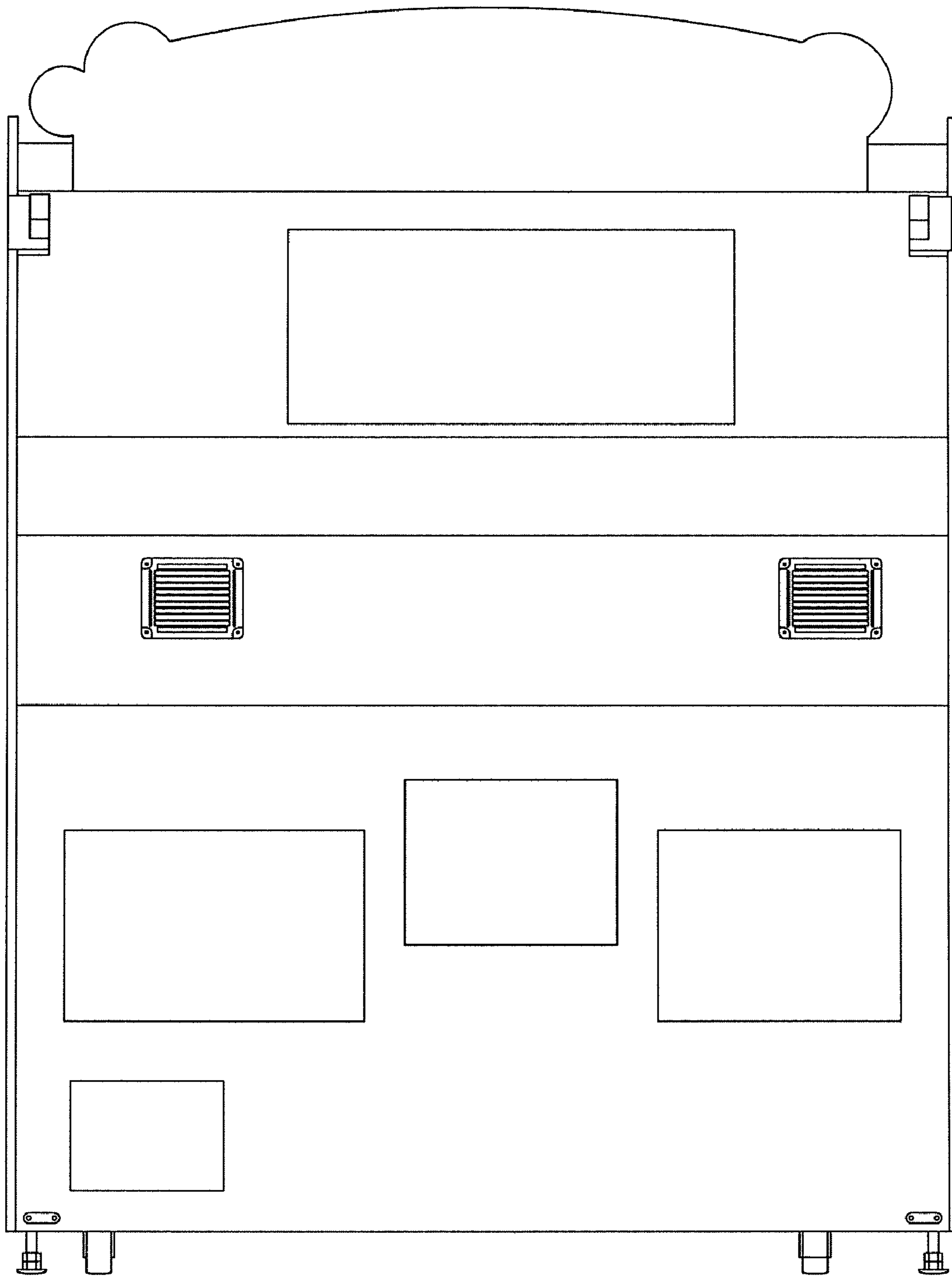


FIG. 4

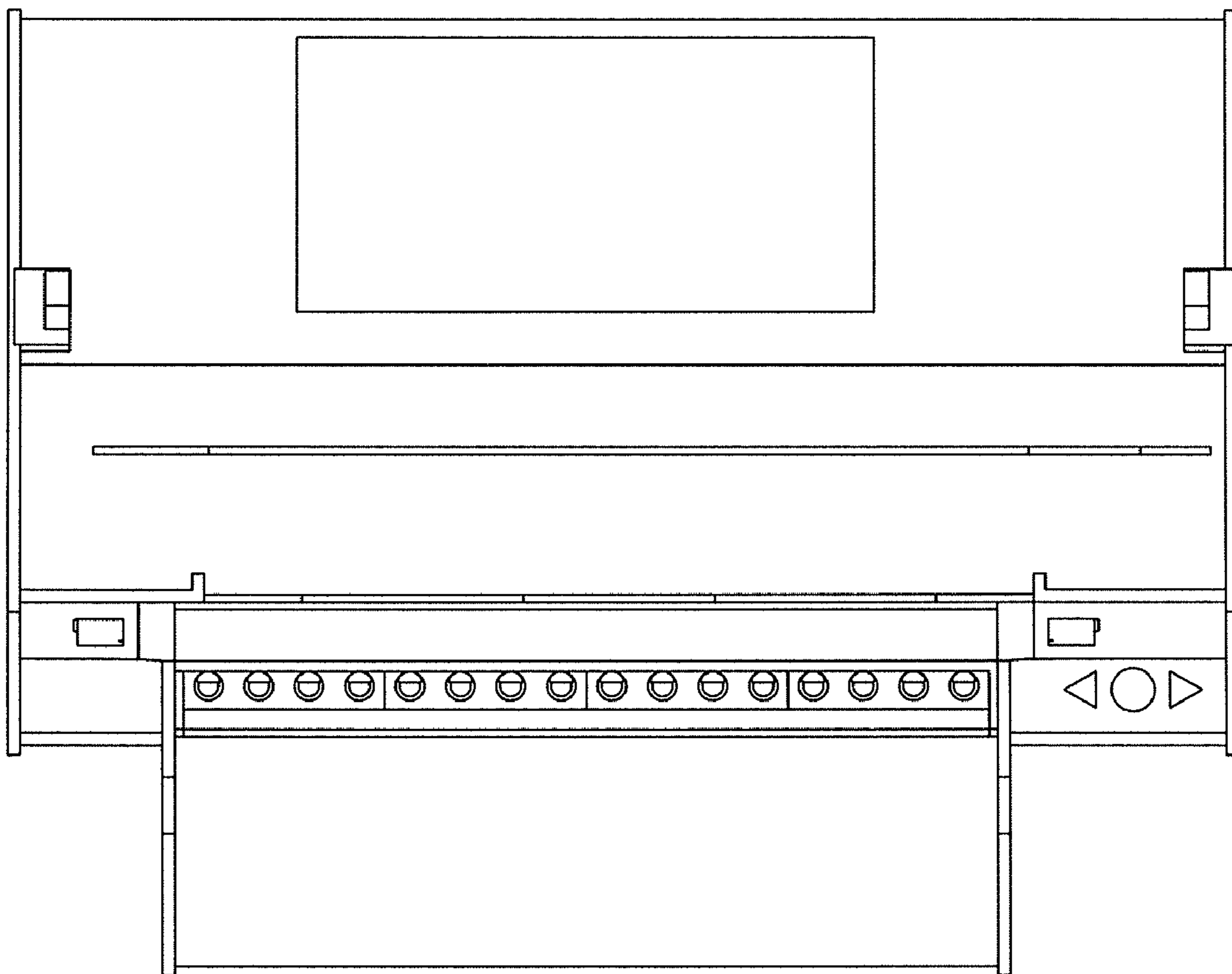


FIG. 5

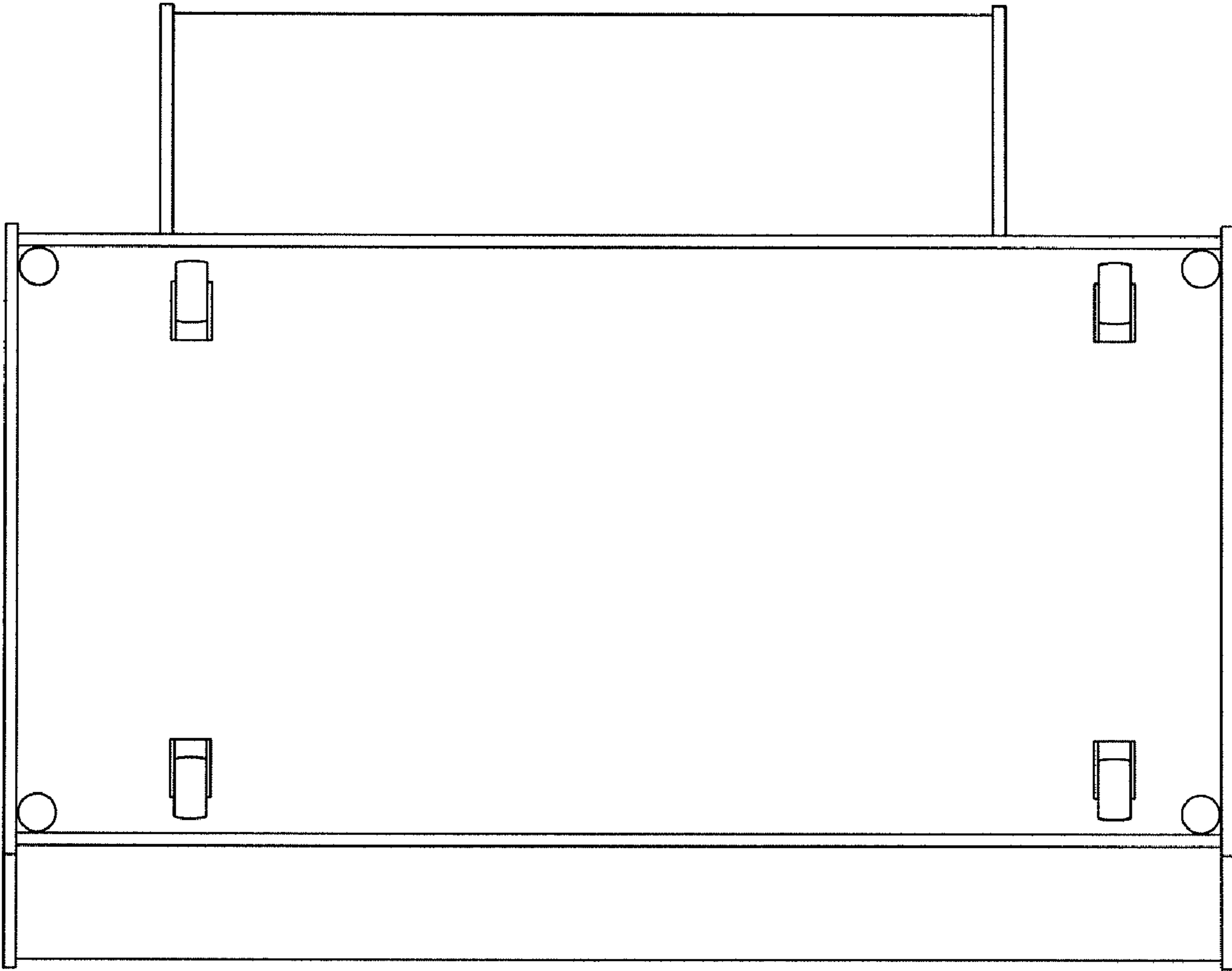


FIG. 6

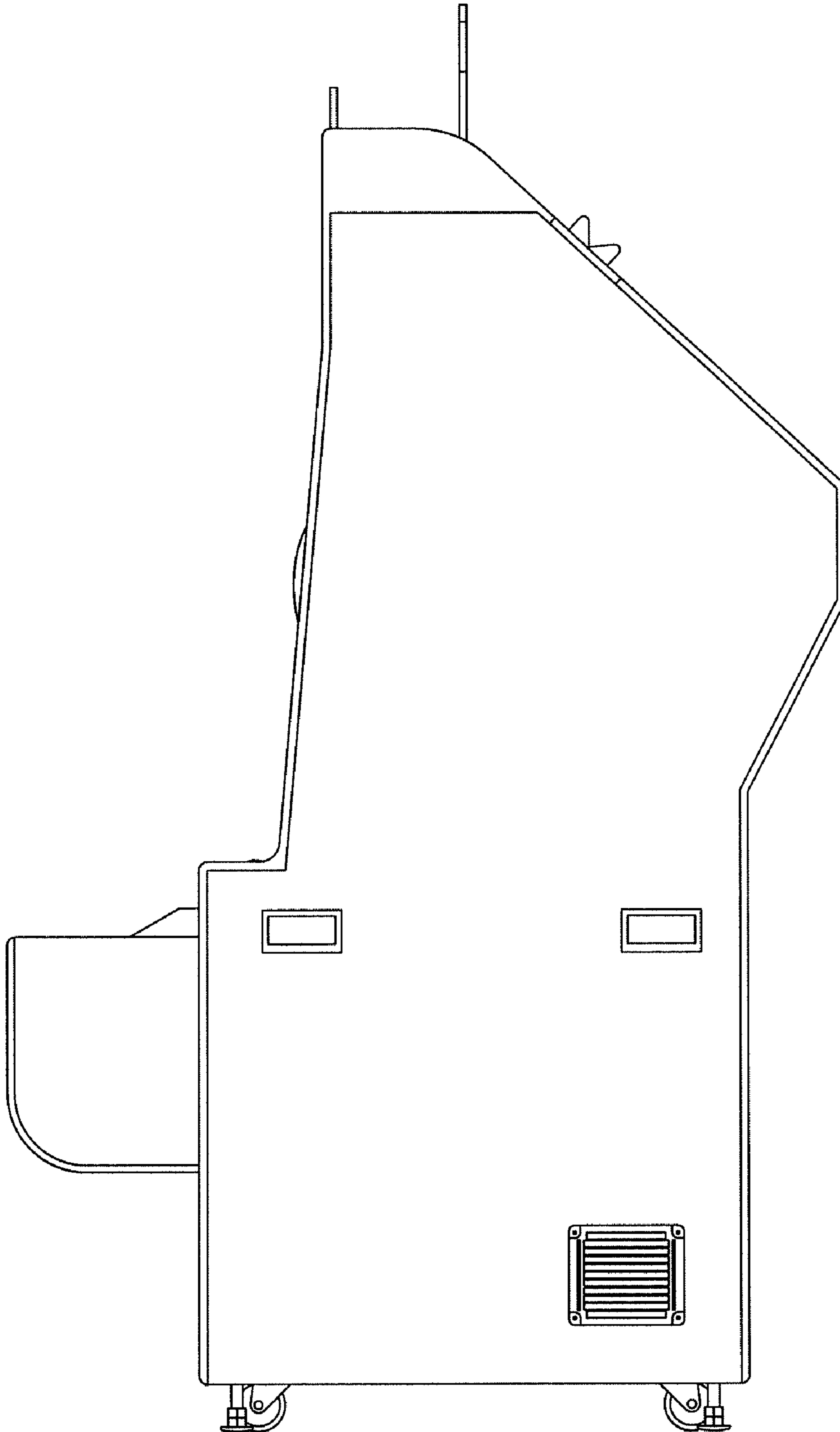


FIG. 7

