



US00D622322S

(12) **United States Design Patent**
Hussain

(10) **Patent No.:** **US D622,322 S**

(45) **Date of Patent:** **** Aug. 24, 2010**

(54) **LIGHTED SIGN**

D586,860 S 2/2009 Yu
D611,547 S * 3/2010 Mirica et al. D20/42

(76) Inventor: **Shan Hussain**, 7026 Old Katy Rd., Ste.
150, Houston, TX (US) 77024

* cited by examiner

(**) Term: **14 Years**

Primary Examiner—Mary Ann Calabrese
(74) *Attorney, Agent, or Firm*—Andrew W. Chu, PC

(21) Appl. No.: **29/355,568**

(57) **CLAIM**

(22) Filed: **Feb. 10, 2010**

The ornamental design for a lighted sign, as shown and described.

(51) **LOC (9) Cl.** **20-03**

(52) **U.S. Cl.** **D20/42**

(58) **Field of Classification Search** D20/10,
D20/19.21, 29, 39-42, 99; 40/446, 538-540,
40/542, 559, 563, 564, 570, 574, 577, 581,
40/584, 594, 600, 606.01, 606.18, 617, 624;
D10/104, 109; D6/300, 301, 308; 362/812
See application file for complete search history.

DESCRIPTION

FIG. 1 is an upper perspective view of the lighted sign showing my design.

FIG. 2 is a front elevation view thereof;

FIG. 3 is a back elevation view thereof;

FIG. 4 is a top plan view thereof;

FIG. 5 is a bottom view thereof;

FIG. 6 is a side elevation view thereof;

FIG. 7 is an opposite side elevation view thereof; and,

FIG. 8 is an inverted perspective view thereof, showing an open panel configuration with broken line electronics structures.

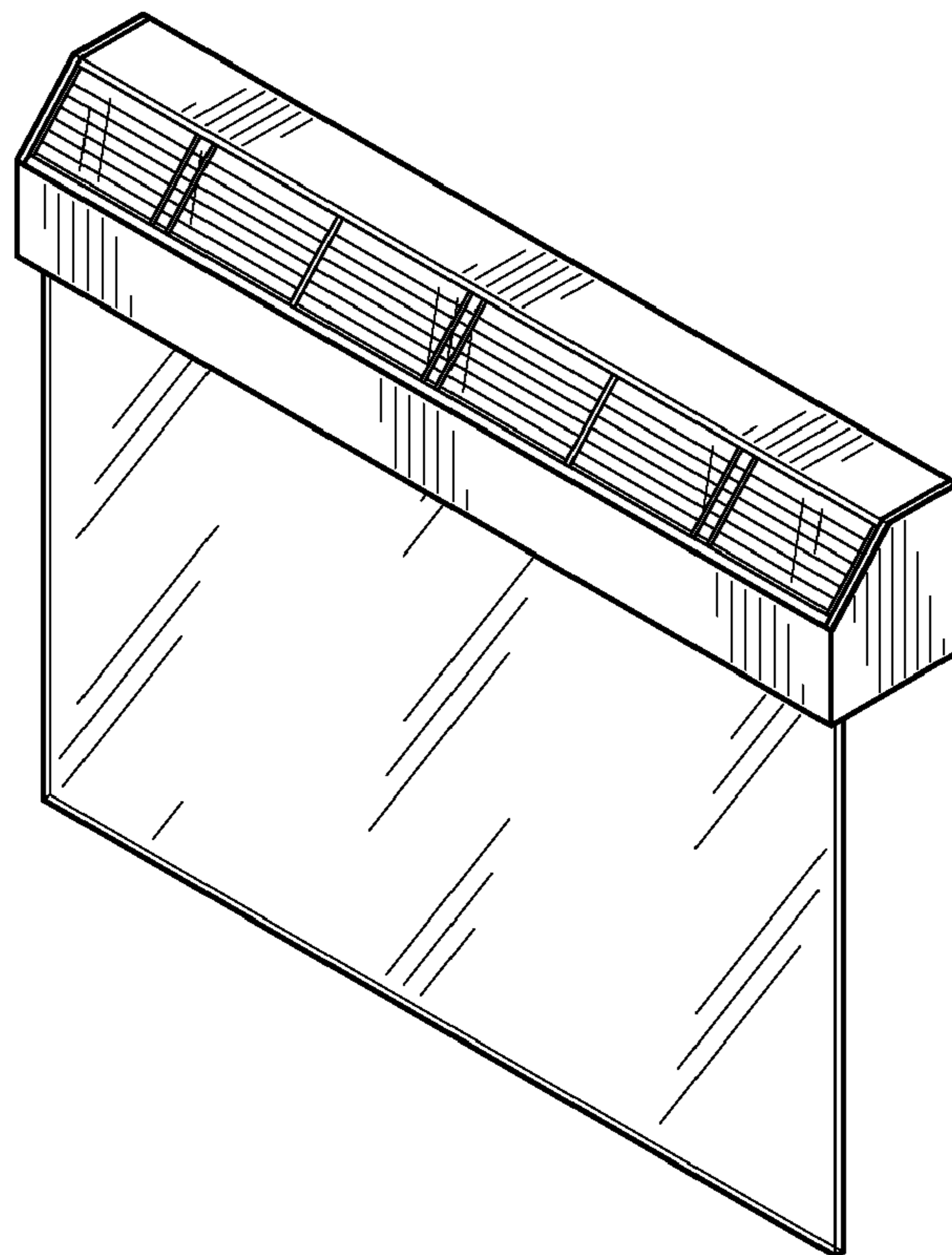
The broken line structures are presented for illustrative purposes and for no part of the claimed design.

(56) **References Cited**

U.S. PATENT DOCUMENTS

1,221,277	A *	4/1917	Bostock	40/542
1,735,040	A *	11/1929	Frederick	40/563
D292,245	S *	10/1987	McCormick	D6/301
D362,691	S *	9/1995	Roberts	D20/42
D382,596	S *	8/1997	Dallman	D20/10
D474,509	S *	5/2003	Kim, II	D20/42
D483,413	S	12/2003	Merenlender		
D495,751	S	9/2004	Pickard et al.		
D566,194	S	4/2008	Clark et al.		

1 Claim, 3 Drawing Sheets



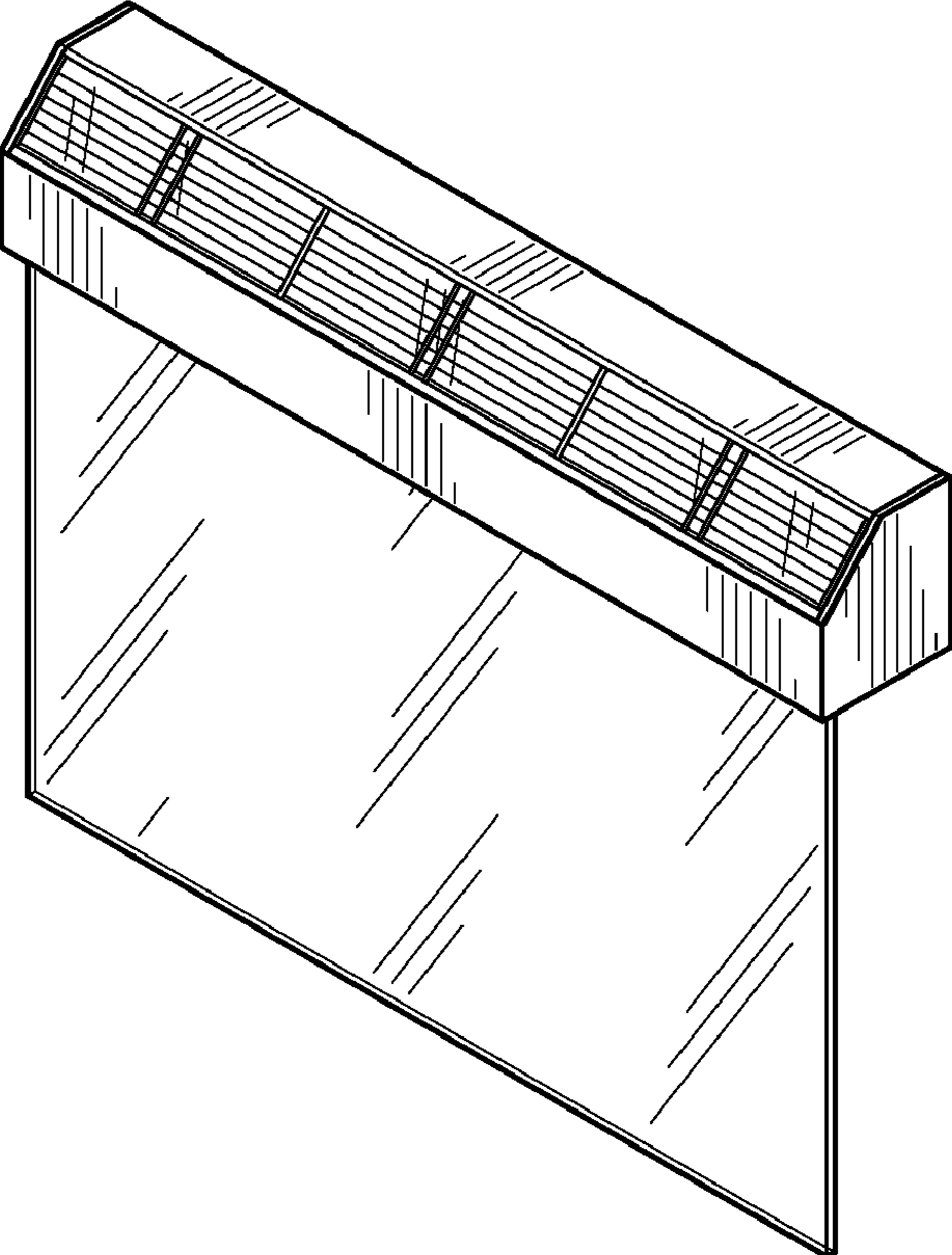


FIG. 1

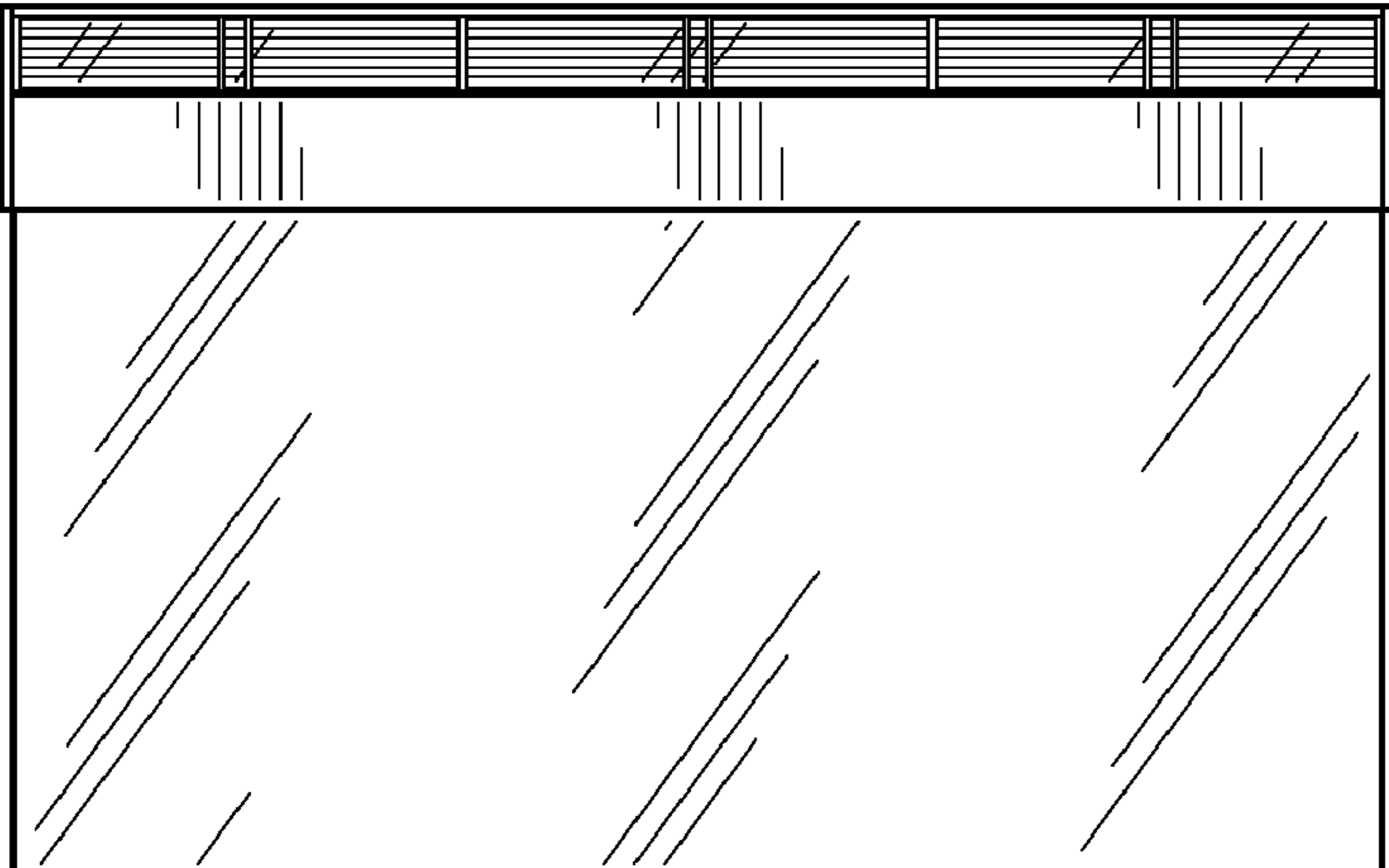


FIG. 2

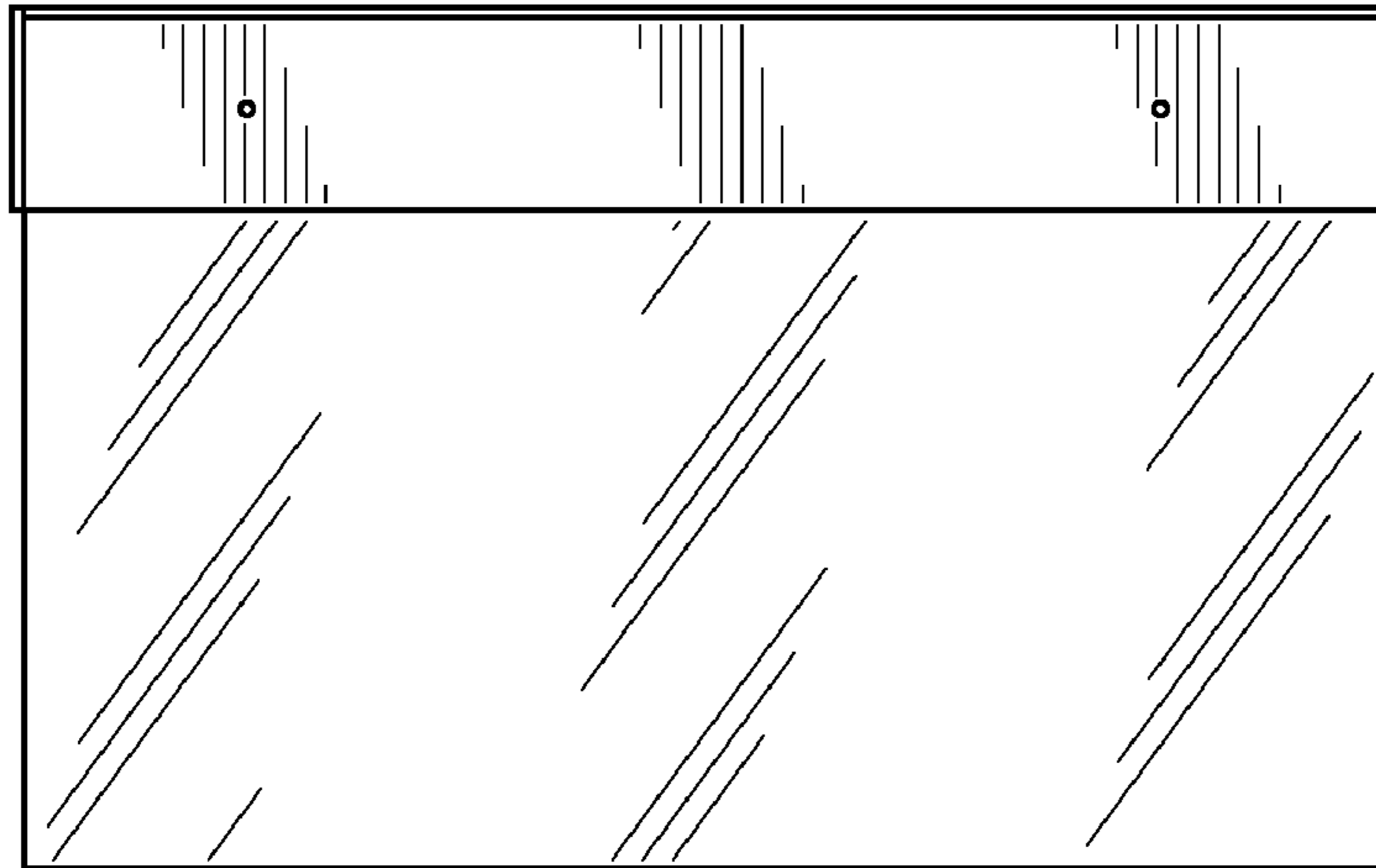


FIG. 3

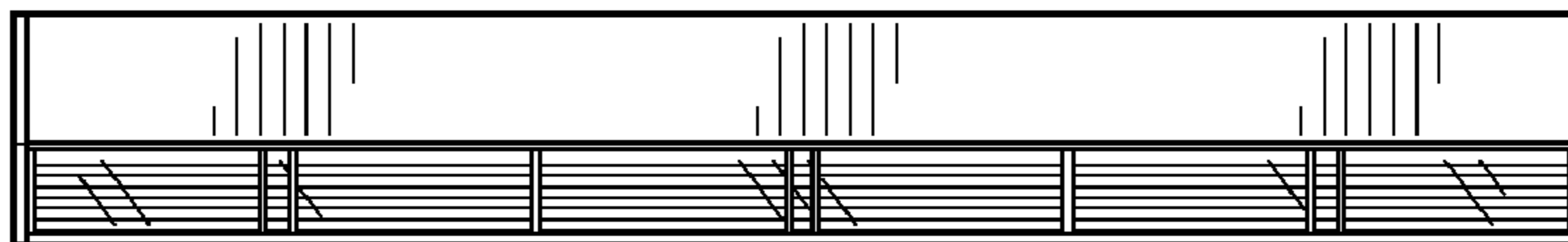


FIG. 4

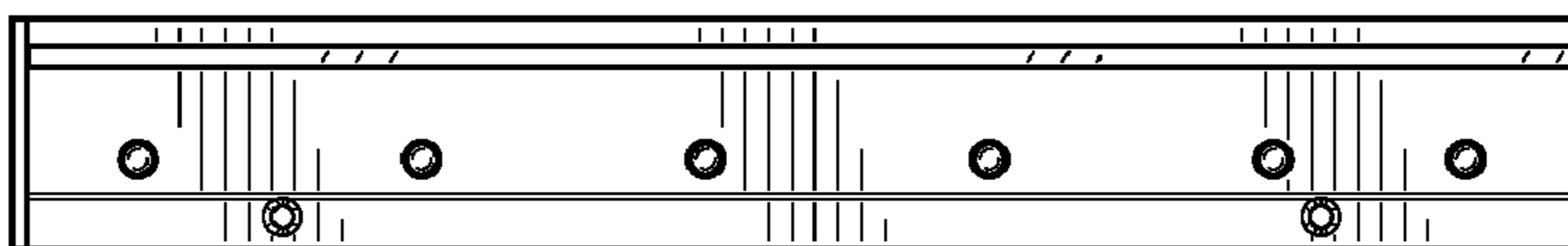


FIG. 5

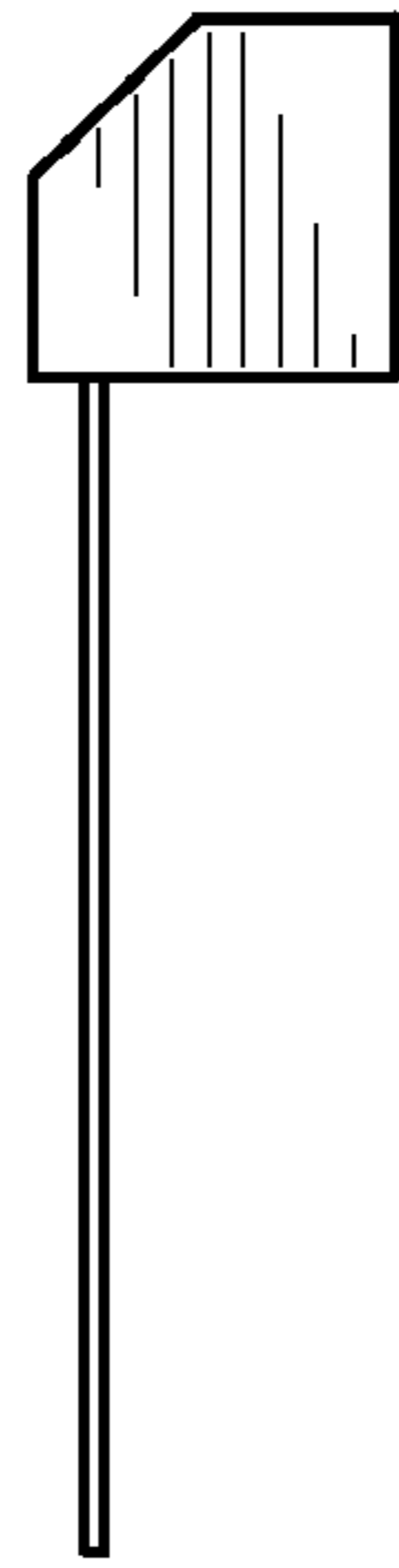


FIG. 6

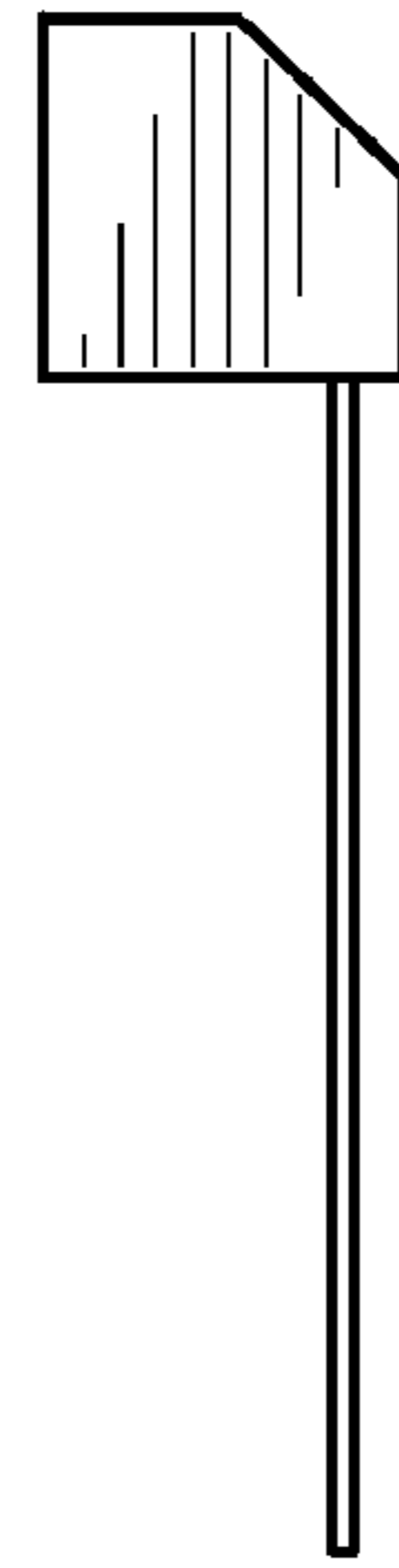


FIG. 7

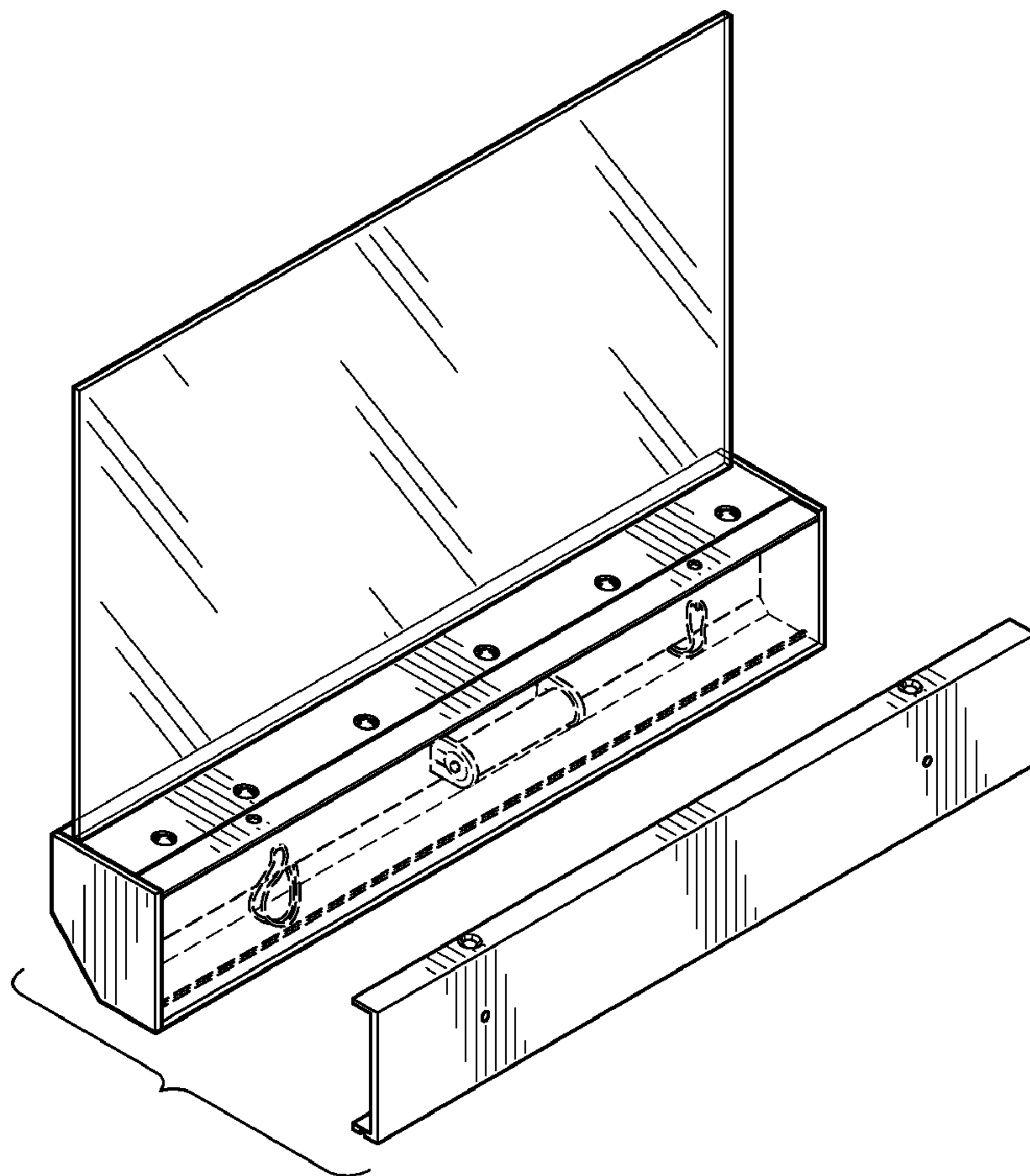


FIG. 8