

US00D622318S

(12) **United States Design Patent**
Tsai et al.

(10) **Patent No.:** **US D622,318 S**

(45) **Date of Patent:** **** Aug. 24, 2010**

(54) **FIRE TORNADO DEVICE**

(75) Inventors: **Her Mann Tsai**, Singapore (SG);
William Wai Lun Cheung, Singapore
(SG); **Paari Perumal**, Singapore (SG)

(73) Assignee: **Science Centre Board**, Singapore (SG)

(**) Term: **14 Years**

(21) Appl. No.: **29/353,720**

(22) Filed: **Jan. 13, 2010**

(30) **Foreign Application Priority Data**

Nov. 5, 2009 (SG) D2009/970/Z

(51) **LOC (9) Cl.** **19-07**

(52) **U.S. Cl.** **D19/62**

(58) **Field of Classification Search** D26/1-23,
D26/114-137, 110; D11/117; 428/7-11;
431/291, 311, 320, 298, 288; 362/161-163,
362/351, 569, 392; D19/59, 62, 100; 40/406,
40/407

See application file for complete search history.

(56) **References Cited**

U.S. PATENT DOCUMENTS

D216,364 S *	12/1969	Benz	D19/62
3,589,044 A *	6/1971	Morrison et al.	40/407
4,215,500 A *	8/1980	Sharp	40/409
4,258,912 A *	3/1981	Reighart, II	472/65
D292,932 S *	11/1987	McGinley	D19/62

5,416,994 A *	5/1995	McLaughlin	40/406
6,241,359 B1 *	6/2001	Lin	362/96
6,457,899 B1 *	10/2002	Lin	403/305
2009/0093318 A1 *	4/2009	Piontek	472/65

* cited by examiner

Primary Examiner—T. Chase Nelson

Assistant Examiner—Ania K Dworzecka

(74) *Attorney, Agent, or Firm*—Sheridan Ross P.C.

(57) **CLAIM**

The ornamental design for the fire tornado device, as shown and described.

DESCRIPTION

FIG. 1 is a top perspective view of a fire tornado device showing our new design;

FIG. 2 is a top plan view thereof;

FIG. 3 is a front elevation view thereof, the rear elevation view being a mirror image of the front elevation;

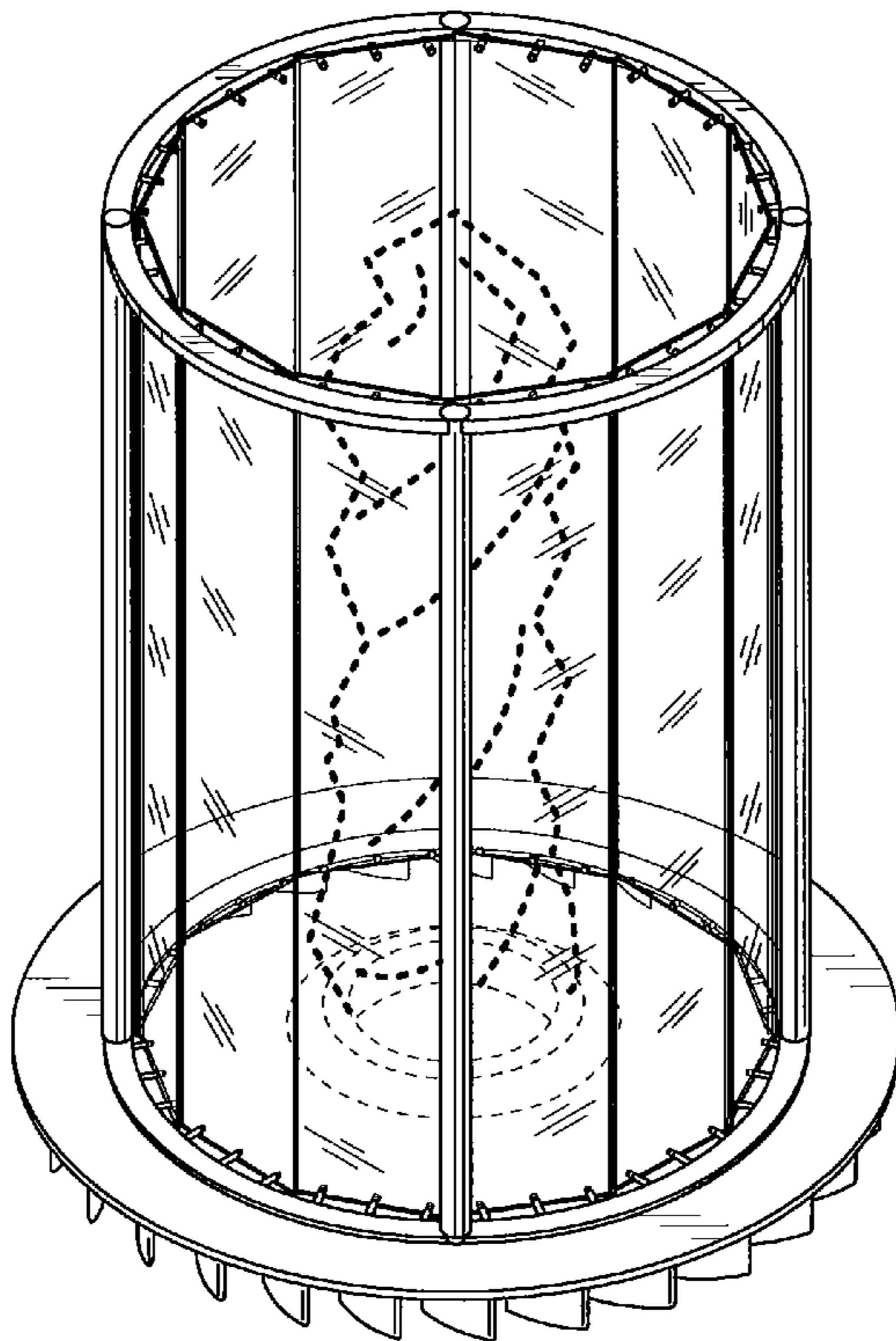
FIG. 4 is a bottom plan view thereof showing a plurality of fins in a first position of use;

FIG. 5 is a bottom plan view thereof wherein the plurality of fins are shown in a second position of use; and,

FIG. 6 is a right elevation view thereof, the left elevation view being a mirror image of the right elevation.

The broken lines shown in various figures represent environment and forms no part of the claimed design.

1 Claim, 4 Drawing Sheets



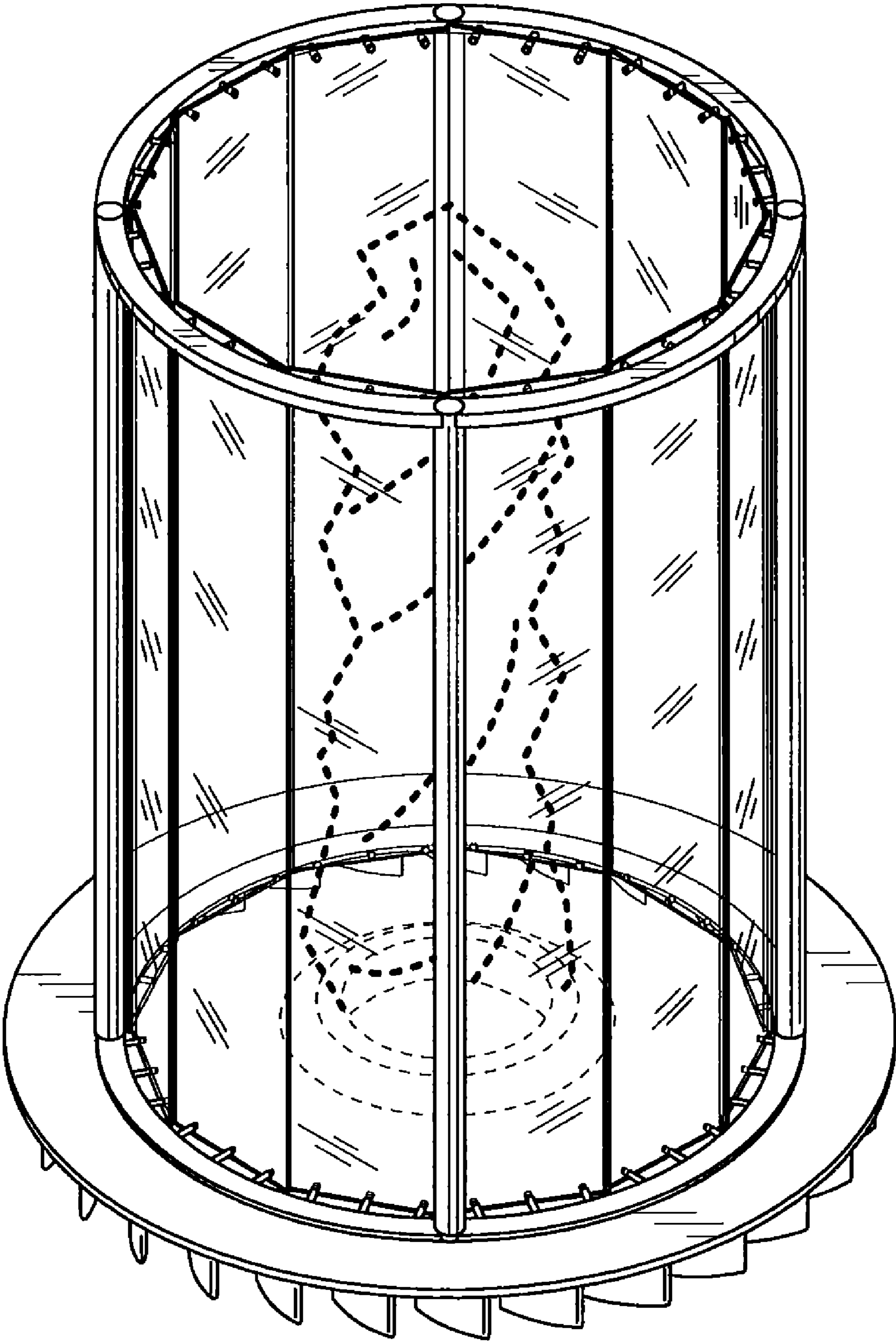


Fig. 1

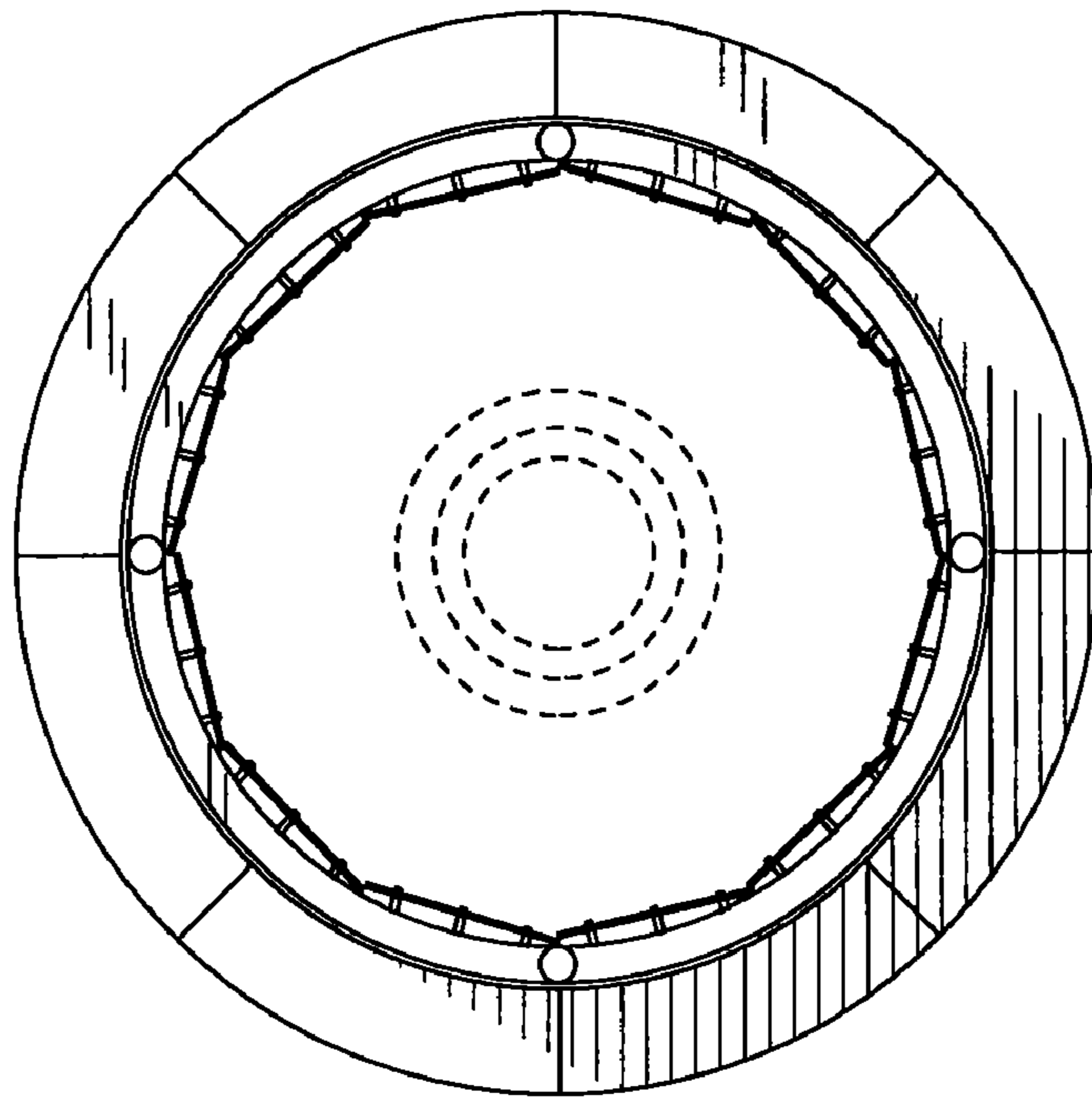


Fig. 2

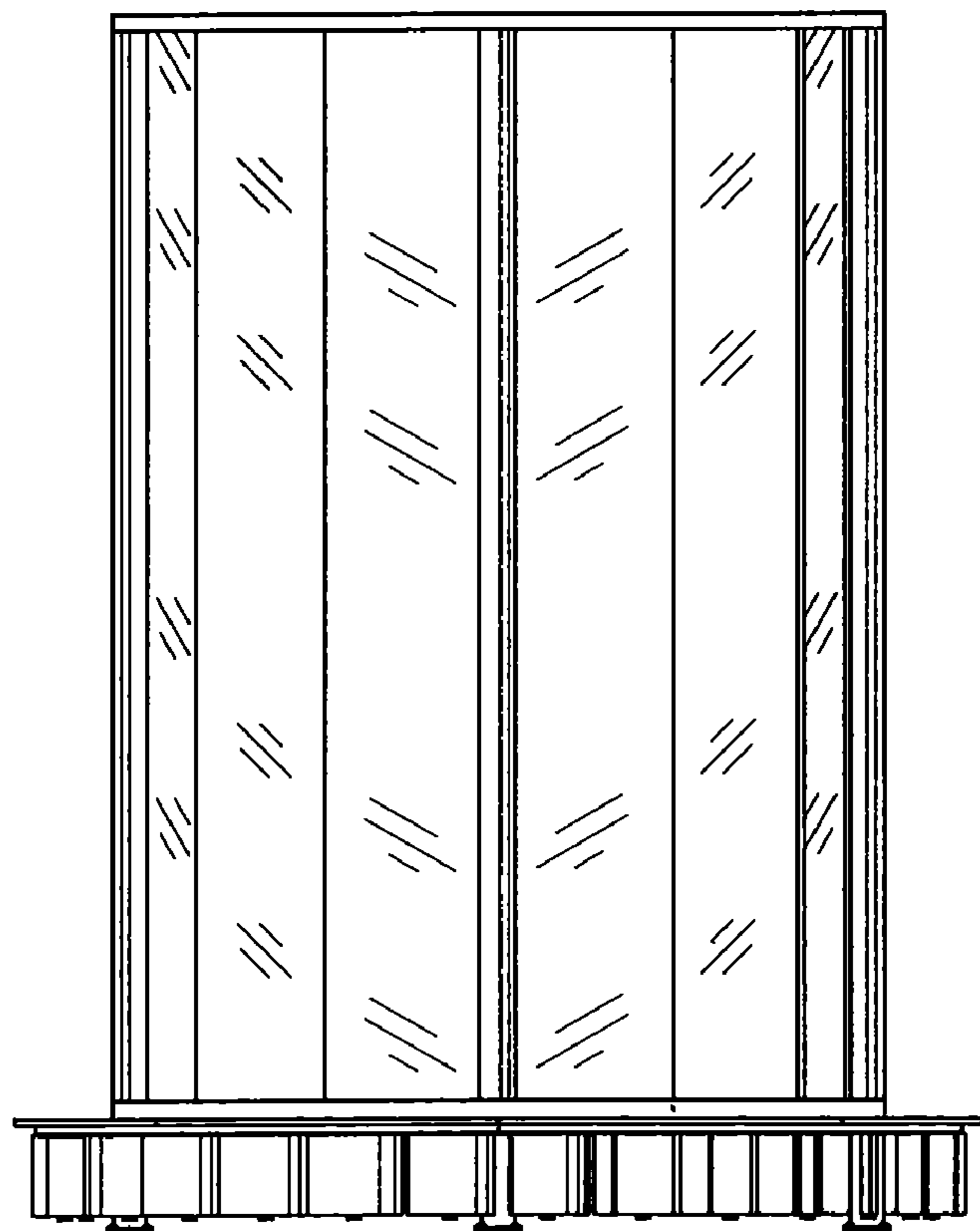


Fig. 3

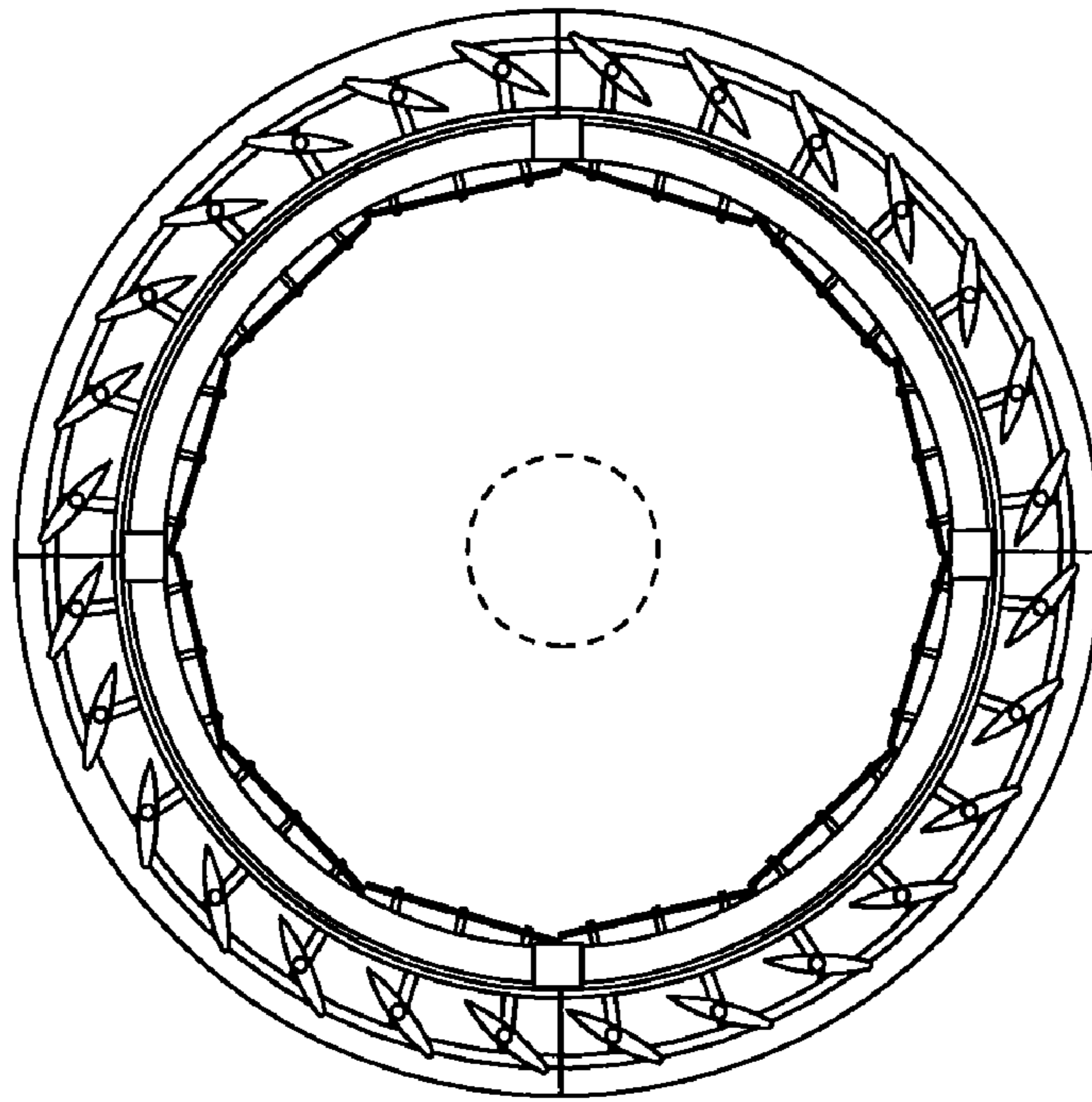


Fig. 4

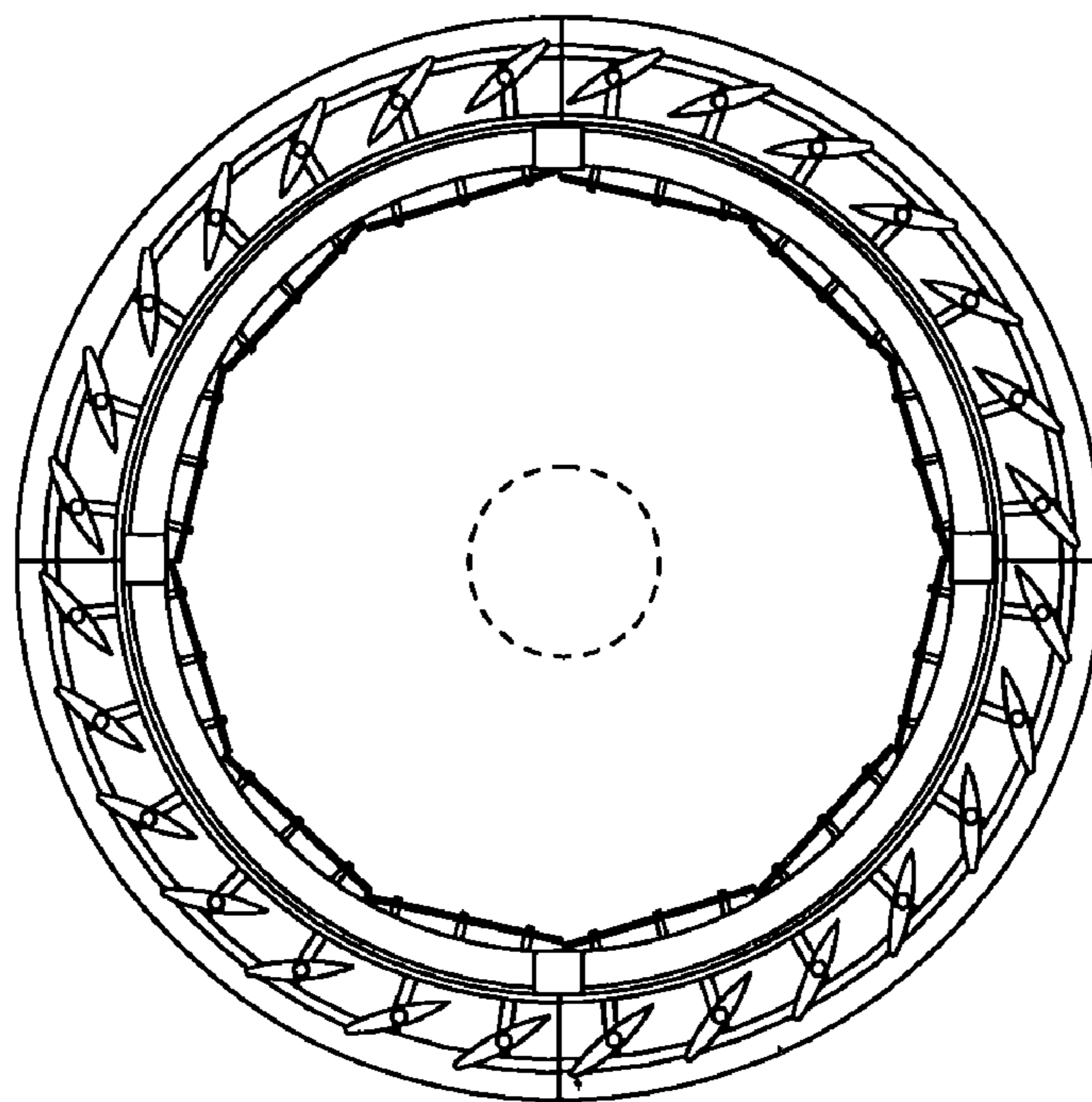


Fig. 5

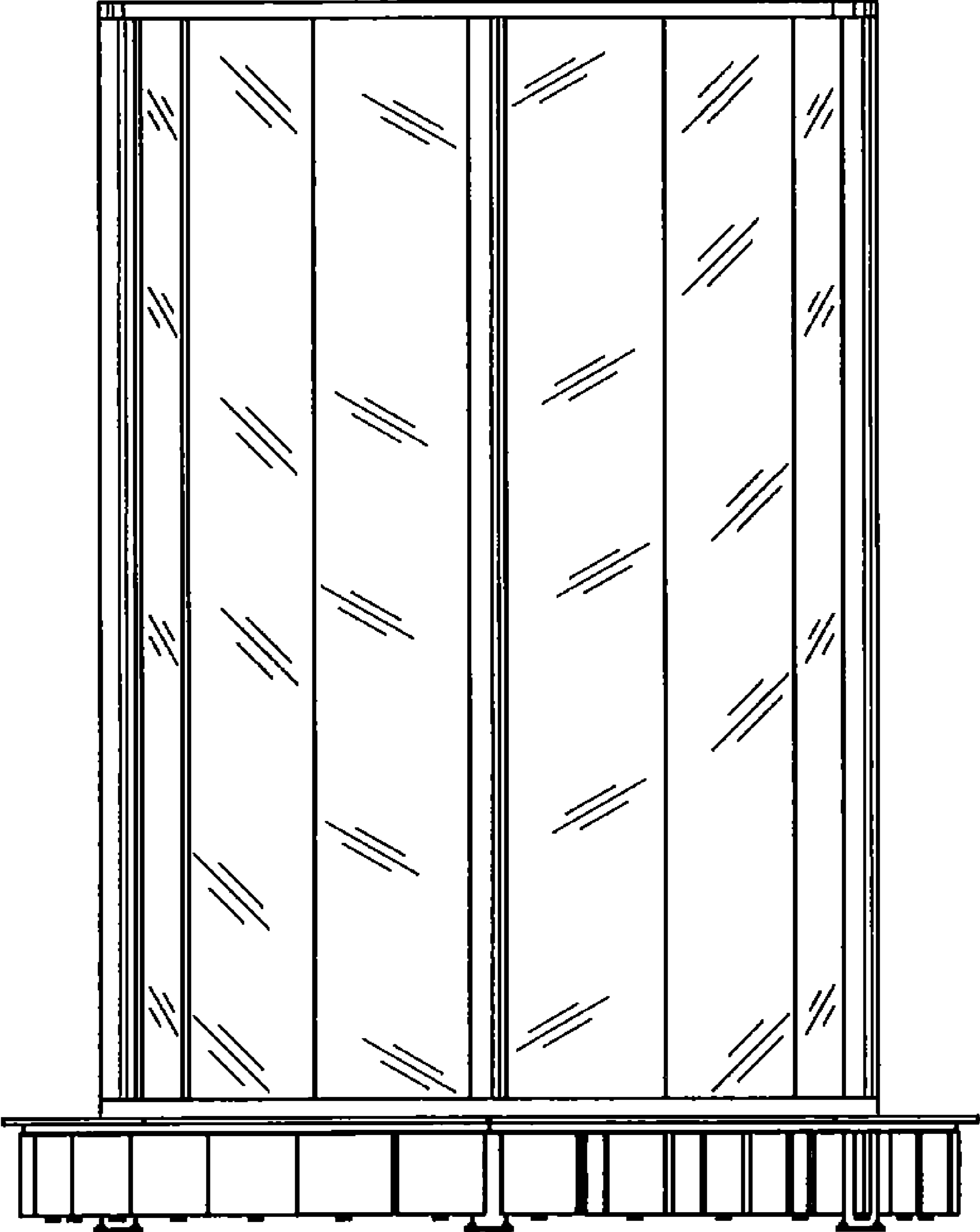


Fig. 6