



US00D622317S

(12) **United States Design Patent**
Li

(10) **Patent No.:** **US D622,317 S**

(45) **Date of Patent:** **** Aug. 24, 2010**

(54) **PEN**

(75) Inventor: **Bin Li**, Ningbo (CN)

(73) Assignee: **Beifa Group Co., Ltd.**, Ningbo (CN)

(**) Term: **14 Years**

(21) Appl. No.: **29/338,979**

(22) Filed: **Jun. 22, 2009**

(30) **Foreign Application Priority Data**

Dec. 25, 2008 (CN) 2008 3 0347363

(51) **LOC (9) Cl.** **19-06**

(52) **U.S. Cl.** **D19/50**

(58) **Field of Classification Search** D19/35,
D19/36, 41–51, 53–57; 24/11 R, 11 F, 11 P;
401/52, 99, 100, 104–109, 192, 195, 196
See application file for complete search history.

(56) **References Cited**

U.S. PATENT DOCUMENTS

- D441,017 S 4/2001 Gault
- D457,917 S * 5/2002 Traut et al. D19/51
- D490,108 S * 5/2004 Moon D19/50
- D490,465 S 5/2004 Qiu
- D492,349 S 6/2004 Qiu
- D499,139 S * 11/2004 Oka D19/47
- D506,506 S 6/2005 Qiu
- D537,877 S 3/2007 Bickert
- D539,345 S 3/2007 Bickert
- D540,386 S 4/2007 Qiu
- D540,861 S 4/2007 Bickert
- D543,237 S 5/2007 Bickert
- D548,788 S 8/2007 Anand

- D559,909 S * 1/2008 Qiu et al. D19/50
- D562,895 S * 2/2008 Shibata D19/50
- D563,473 S 3/2008 Qiu
- D583,864 S * 12/2008 Liu D19/48
- D594,059 S * 6/2009 Shibata D19/48
- D602,085 S * 10/2009 Matsumura D19/47
- D602,526 S * 10/2009 Matsumura D19/47
- D609,744 S * 2/2010 Rathod D19/48
- D611,535 S * 3/2010 Shimizu D19/48

FOREIGN PATENT DOCUMENTS

EM 000845060-0005 A1 1/2008

OTHER PUBLICATIONS

Fei, Y., "Pen," U.S. Appl. No. 29/298,536, filed Dec. 6, 2007.

* cited by examiner

Primary Examiner—Elizabeth A Albert

(74) *Attorney, Agent, or Firm*—Christensen O'Connor Johnson Kindness PLLC

(57) **CLAIM**

The ornamental design for a pen, as shown and described.

DESCRIPTION

FIG. 1 is an upper left perspective view of a pen showing my new design;

FIG. 2 is a right side elevation view thereof;

FIG. 3 is an enlarged top plan view thereof;

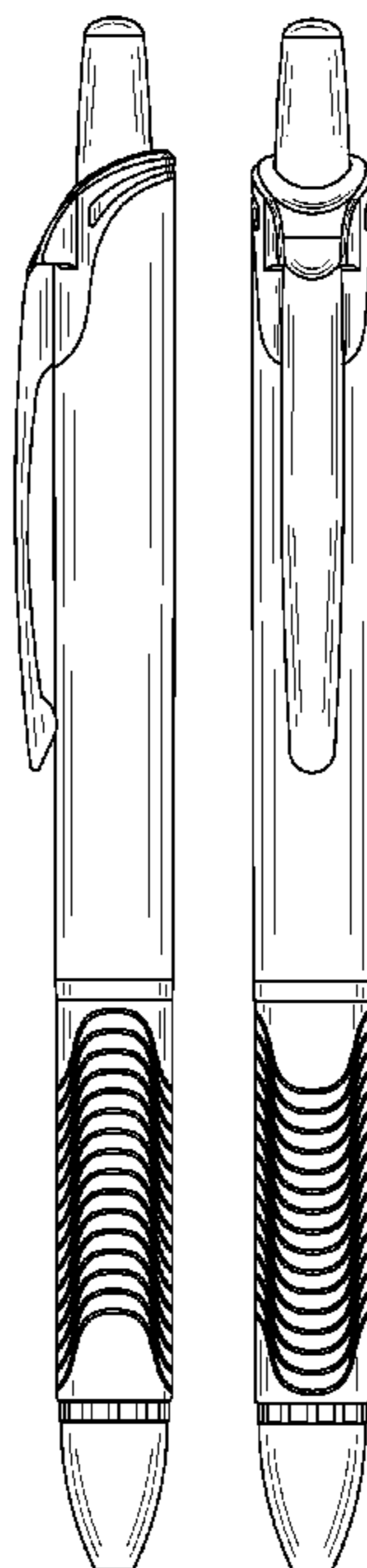
FIG. 4 is a front elevation view thereof;

FIG. 5 is a left side elevation view thereof;

FIG. 6 is an enlarged bottom plan view thereof; and,

FIG. 7 is a rear elevation view thereof.

1 Claim, 3 Drawing Sheets



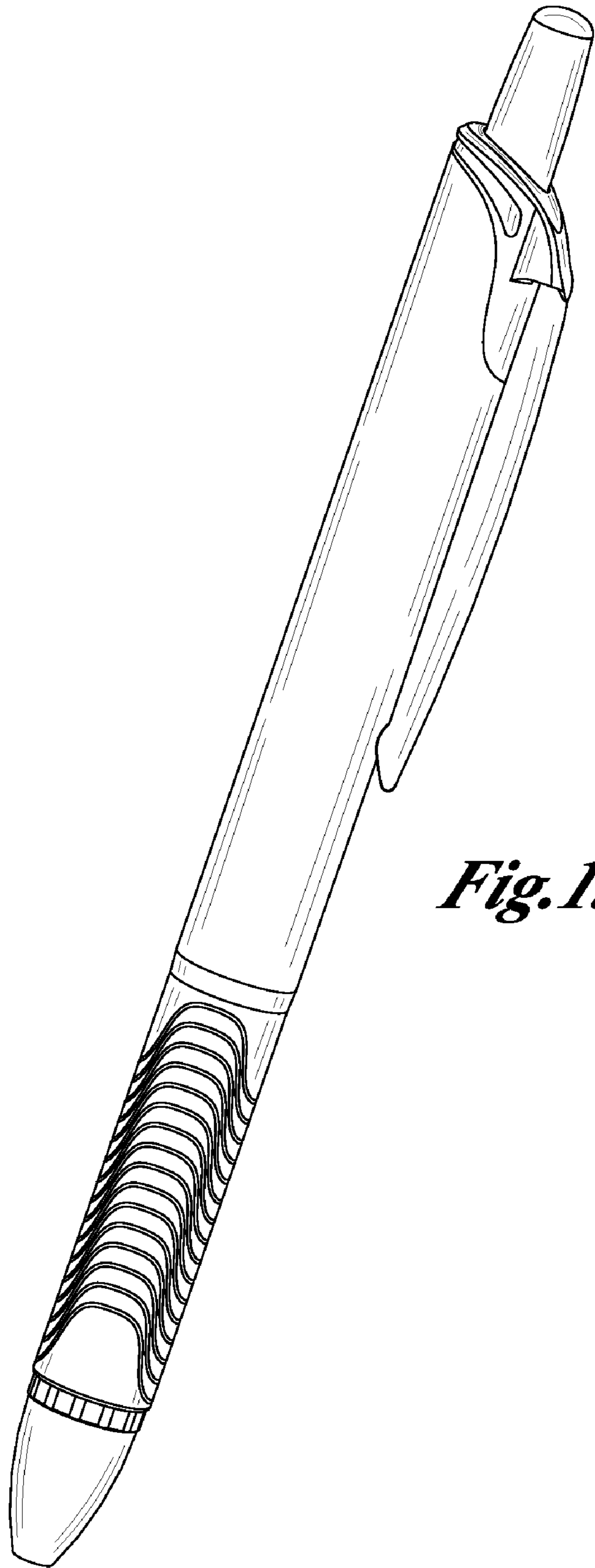


Fig. 1.

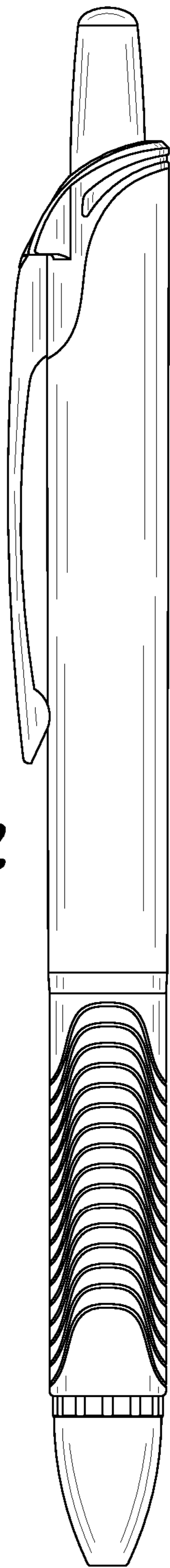


Fig. 2.

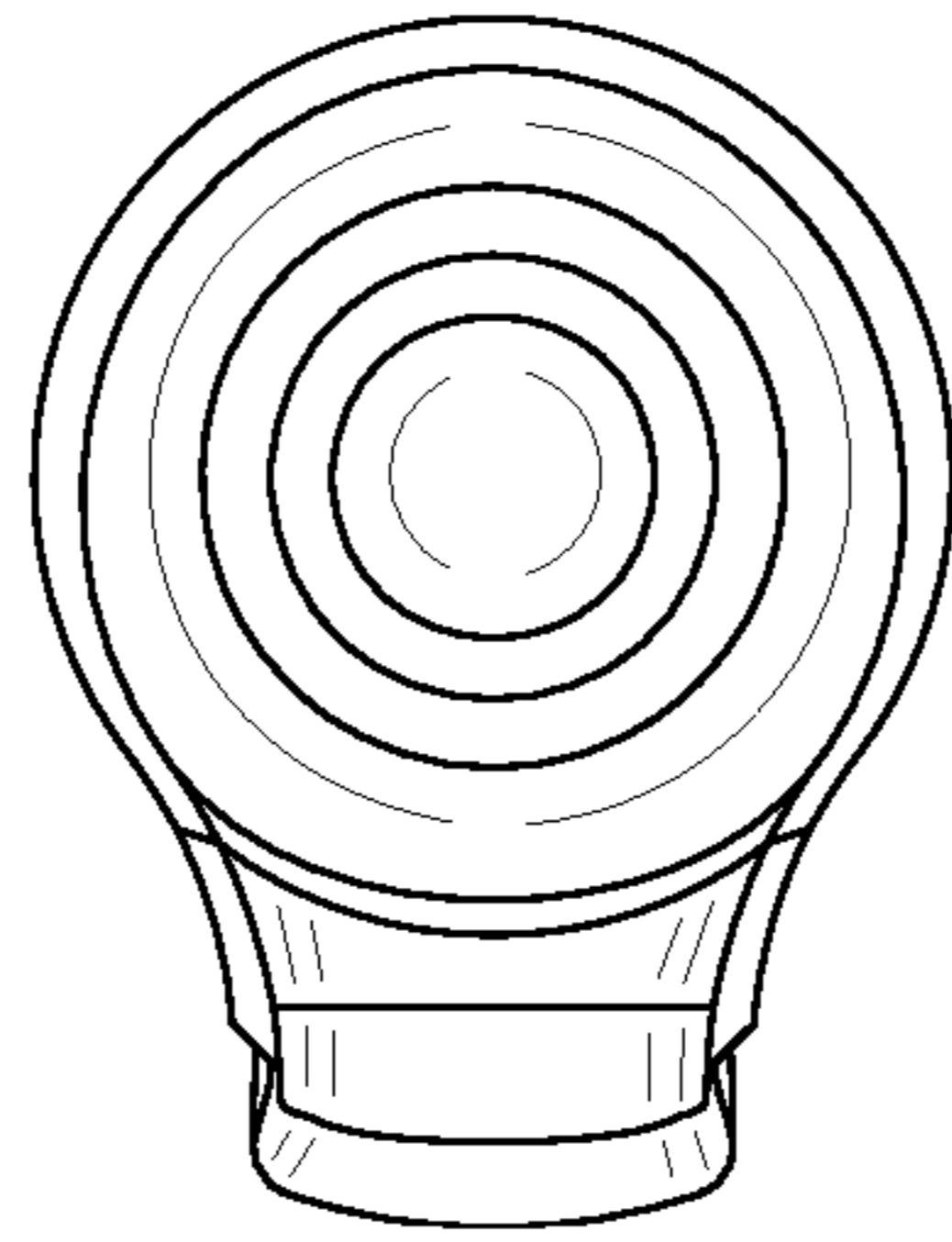


Fig. 3.

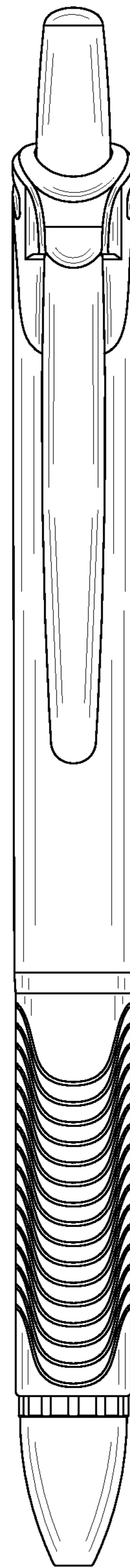


Fig. 4.

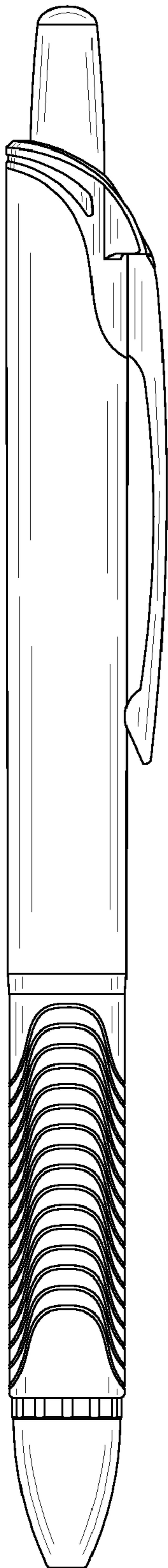


Fig. 5.

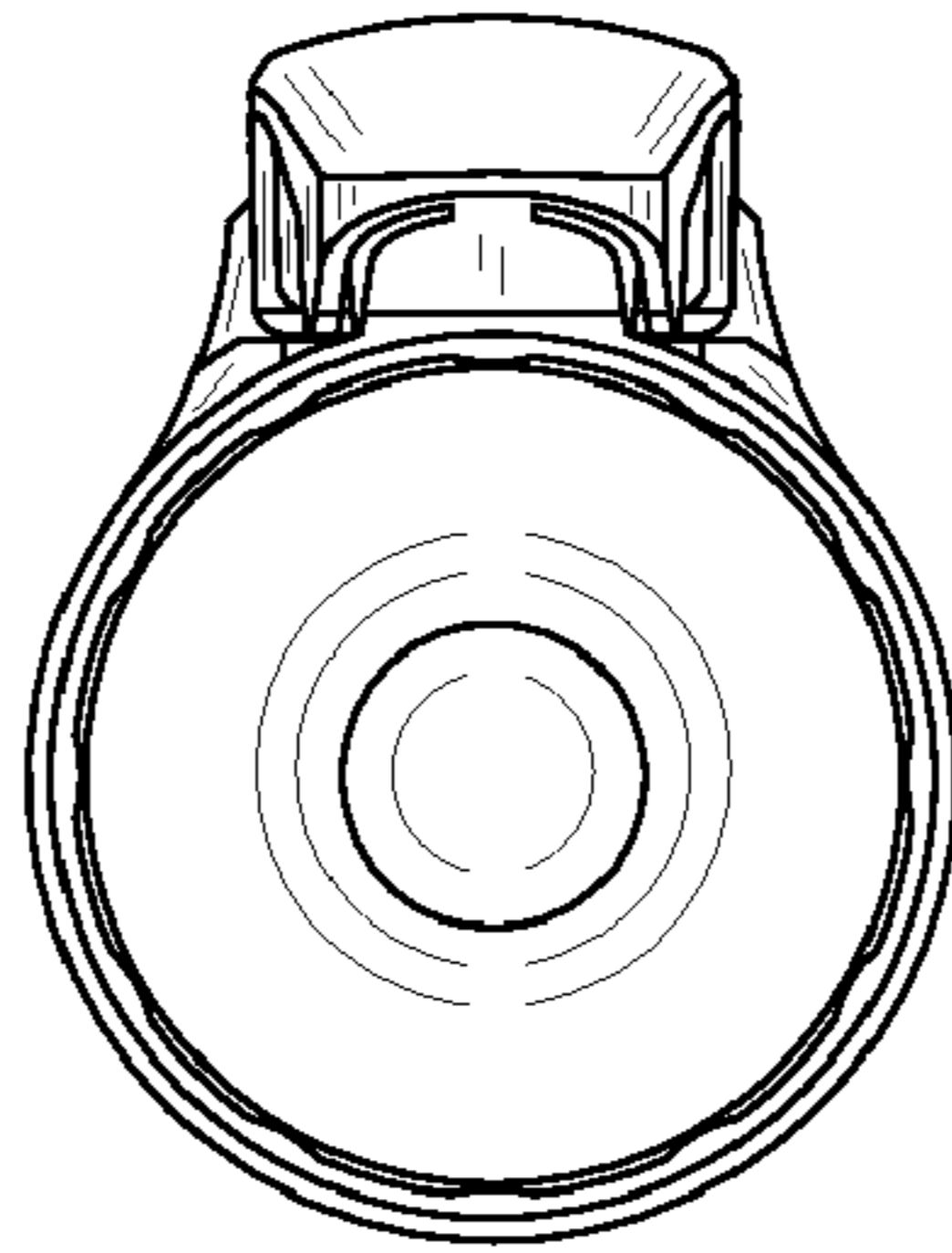


Fig. 6.

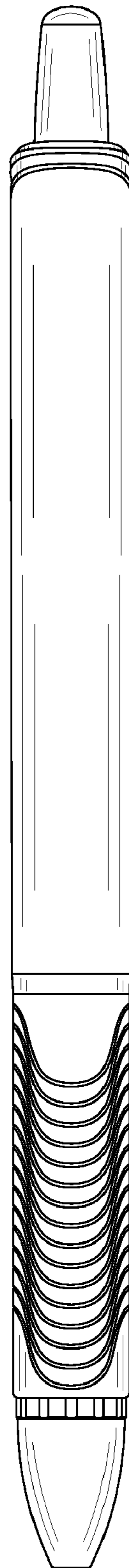


Fig. 7.