



US00D622316S

(12) **United States Design Patent**
To

(10) **Patent No.:** **US D622,316 S**
(45) **Date of Patent:** **** Aug. 24, 2010**

(54) **DUAL LEVER RING MECHANISM WITH RECTILINEAR BINDER RINGS**

5,332,327 A 7/1994 Gillum
D356,112 S 3/1995 Constantine
D377,805 S 2/1997 To
D382,593 S 8/1997 To
5,718,529 A 2/1998 Chan
D392,997 S 3/1998 Chan
D408,851 S 4/1999 To
5,971,649 A 10/1999 To

(75) Inventor: **Chun Yuen To**, Hong Kong (CN)

(73) Assignee: **World Wide Stationery Mfg. Co., Ltd.**,
Kwai Chung, New Territory (HK)

(**) Term: **14 Years**

(21) Appl. No.: **29/330,294**

(22) Filed: **Jan. 5, 2009**

(Continued)

Related U.S. Application Data

(62) Division of application No. 29/275,751, filed on Jan. 5, 2007, now Pat. No. Des. 585,935.

OTHER PUBLICATIONS

Worldwide Stationary Manufacturing Company Limited.

(Continued)

(30) **Foreign Application Priority Data**

Jun. 7, 2006 (CN) 2006 3 0131068
Jun. 7, 2006 (CN) 2006 3 0131069

Primary Examiner—Elizabeth A Albert
Assistant Examiner—Kelley A Donnelly
(74) *Attorney, Agent, or Firm*—Senniger Powers LLP

(51) **LOC (9) Cl.** **19-04**

(52) **U.S. Cl.** **D19/32**

(58) **Field of Classification Search** D19/32,
D19/26–30, 49, 100; 402/26, 31, 36, 38,
402/39, 41; 281/45–51, 3.1, 15.1, 21.1, 22
See application file for complete search history.

(57) **CLAIM**

The ornamental design for a dual lever ring mechanism having rectilinear binder rings, as shown and described.

(56) **References Cited**

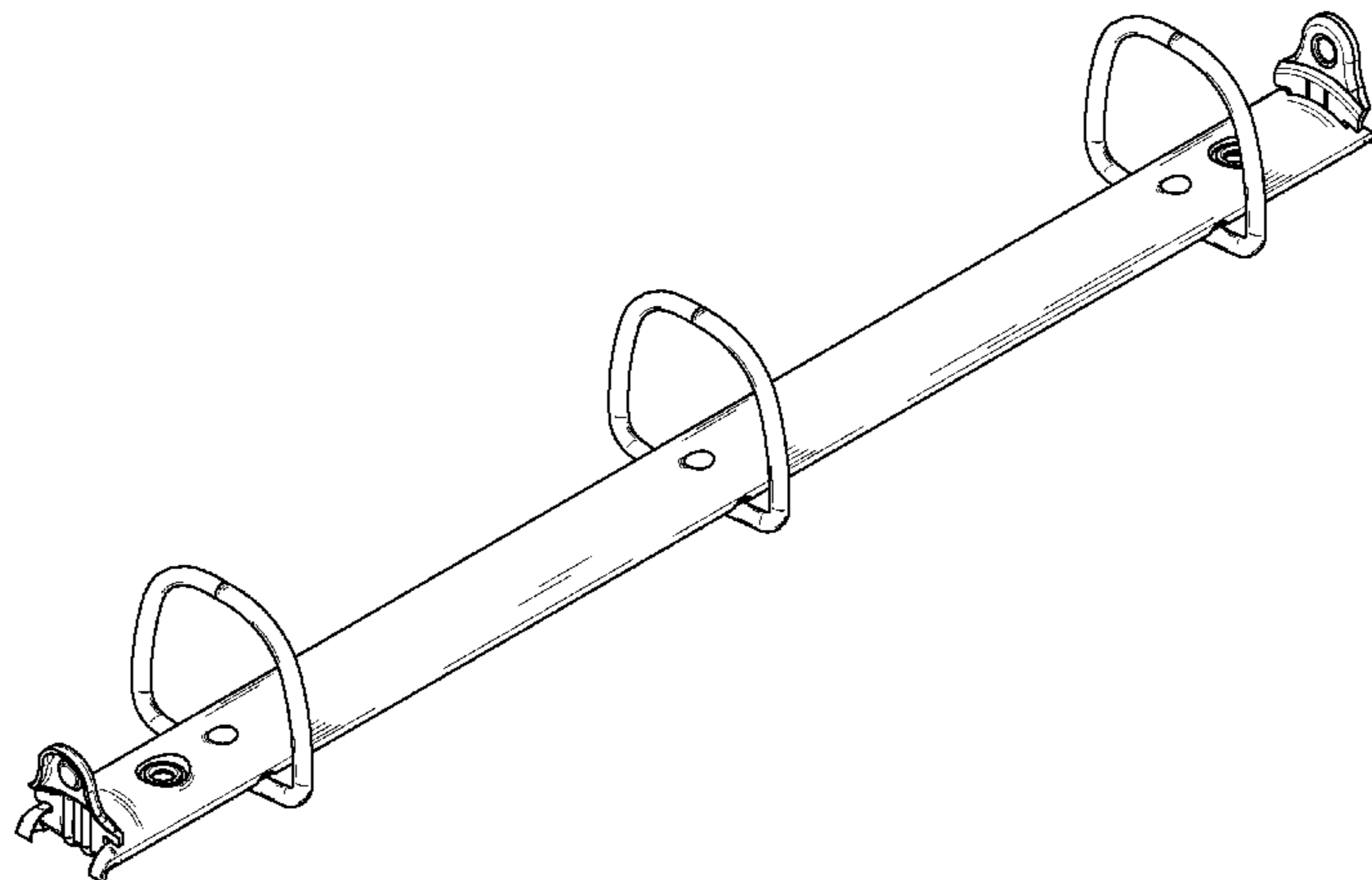
DESCRIPTION

U.S. PATENT DOCUMENTS

1,473,354 A 11/1923 Nachtrieb
RE18,806 E 4/1933 Dawson
2,218,105 A 10/1940 Griffin
2,371,474 A 3/1945 Seelman
2,673,564 A 3/1954 Derringer
3,263,687 A 8/1966 Weichert
3,404,685 A 10/1968 Vernon
3,827,111 A 8/1974 O'Connell
4,552,478 A 11/1985 Cohen
4,792,253 A 12/1988 Jacobson
5,106,222 A 4/1992 D'Amore
D325,928 S 5/1992 Bourgeois

FIG. 1 is a perspective of a dual lever ring mechanism having rectilinear binder rings;
FIG. 2 is a top plan view thereof;
FIG. 3 is a bottom plan view thereof;
FIG. 4 is a right side elevational view of the ring mechanism, the left side elevational view being identical; and,
FIG. 5 is an end view of the ring mechanism, both end views of the mechanism being identical.

1 Claim, 5 Drawing Sheets



US D622,316 S

Page 2

U.S. PATENT DOCUMENTS

5,975,785 A 11/1999 Chan
5,980,146 A 11/1999 To
6,007,266 A * 12/1999 Cheng et al. 402/36
6,033,144 A * 3/2000 Ng et al. 402/36
6,045,286 A 4/2000 Tung
D426,571 S 6/2000 To
D433,445 S 11/2000 To
D434,071 S 11/2000 To
6,142,697 A 11/2000 Williams
6,217,247 B1 4/2001 Ng
6,749,357 B2 6/2004 Cheng

6,758,621 B2 7/2004 To
7,241,067 B2 * 7/2007 Cheng 402/38
7,296,946 B2 11/2007 Cheng et al.
D582,477 S * 12/2008 To D19/32
7,524,128 B2 * 4/2009 Cheng 402/35
7,527,449 B2 * 5/2009 Petrie et al. 402/19
2006/0251467 A1 11/2006 Cheng
2007/0086836 A1 4/2007 Cheng

OTHER PUBLICATIONS

Worldwide Stationary Manufacturing Company Limited.

* cited by examiner

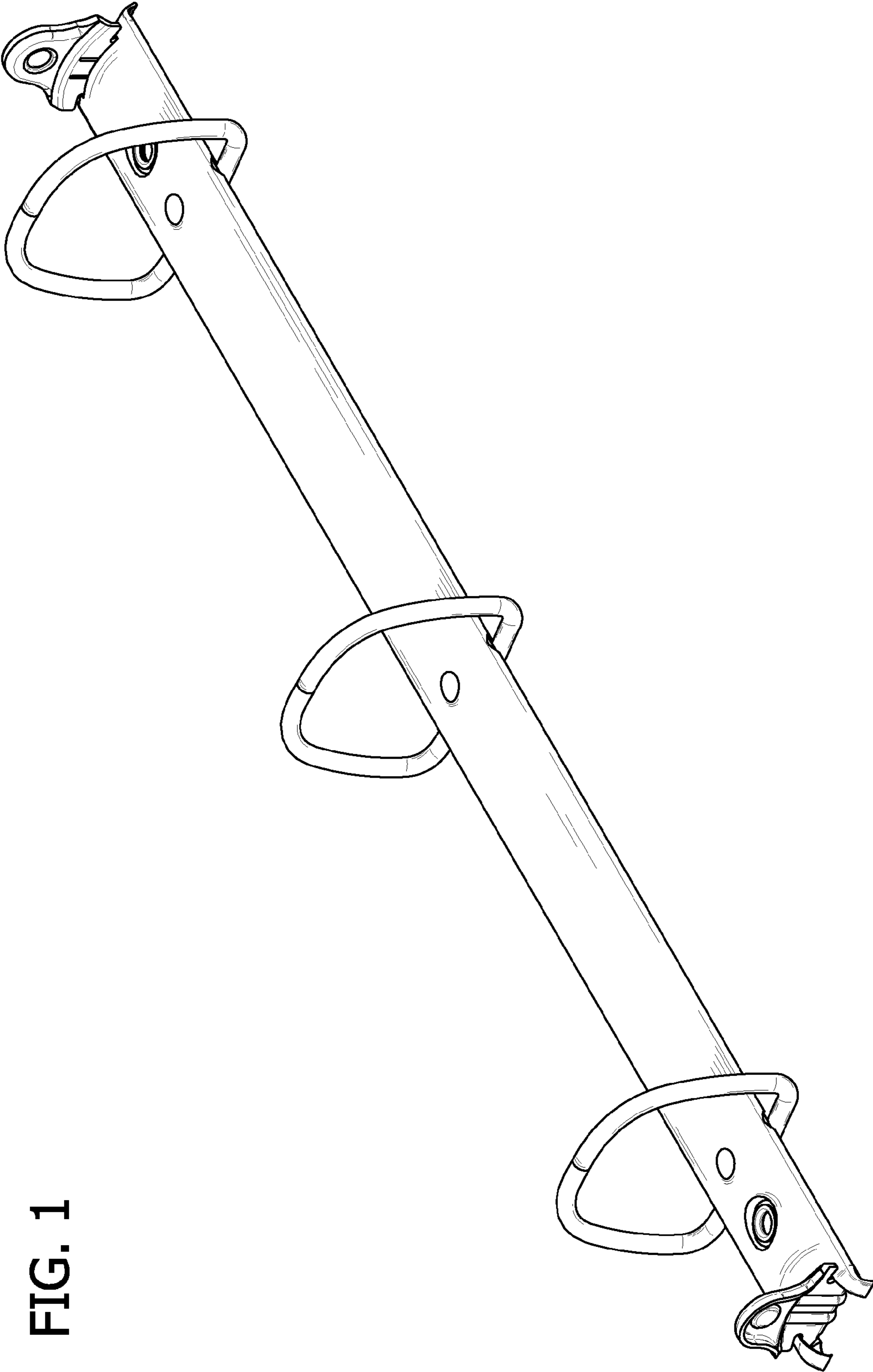


FIG. 1

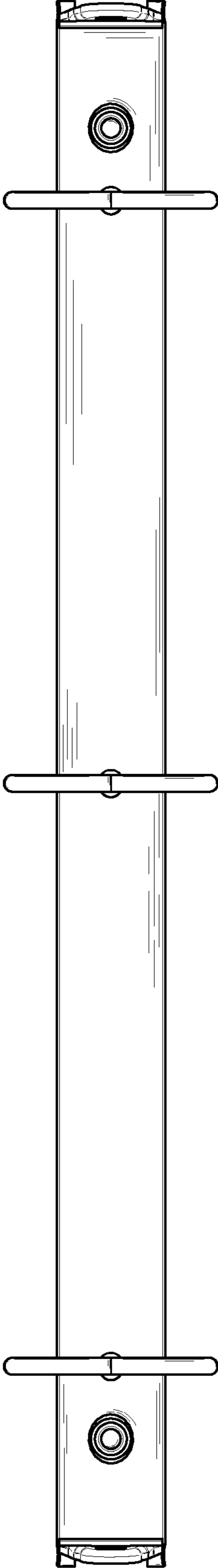


FIG. 2

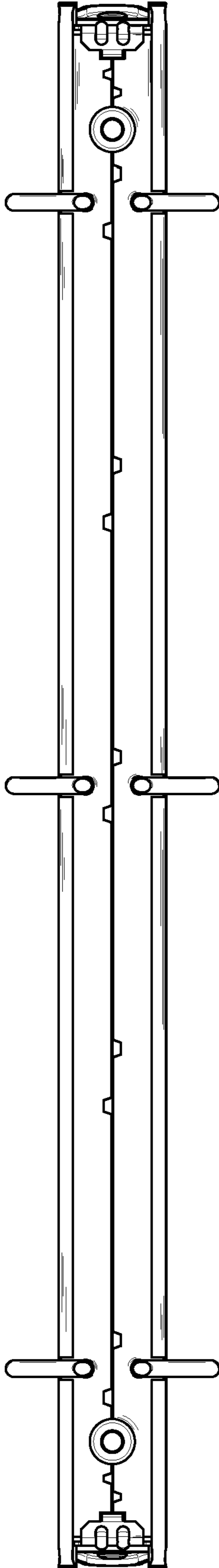


FIG. 3

FIG. 4

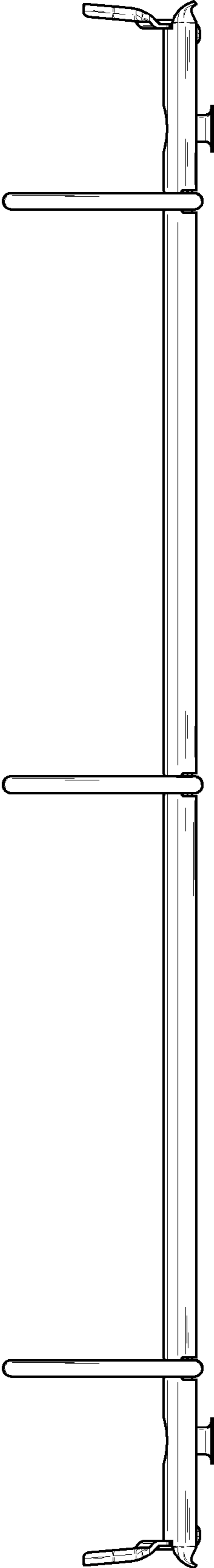


FIG. 5

